

US00D525059S

(12) **United States Design Patent**  
**Golias, Sr. et al.**

(10) **Patent No.:** **US D525,059 S**  
(45) **Date of Patent:** **\*\* Jul. 18, 2006**

- (54) **PORTION OF A CABINET SHELF**
- (75) Inventors: **Bernard J. Golias, Sr.**, Hinckley, OH (US); **Bernard J. Golias, Jr.**, Twinsburg, OH (US); **Robert J. Golias**, Solon, OH (US); **Gary W. James**, Parma Heights, OH (US); **Gary R. Kish**, Parma, OH (US)
- (73) Assignee: **Metal Fabricating Corporation**, Cleveland, OH (US)
- (\*\*) Term: **14 Years**
- (21) Appl. No.: **29/227,154**
- (22) Filed: **Apr. 7, 2005**

**Related U.S. Application Data**

- (63) Continuation of application No. 10/915,450, filed on Aug. 10, 2004.
- (51) **LOC (8) Cl.** ..... **06-06**
- (52) **U.S. Cl.** ..... **D6/511**
- (58) **Field of Classification Search** ..... D6/491, D6/509-511, 402, 481, 500; 108/27, 59; 211/59.2, 135, 153; 312/140.1, 140.4  
See application file for complete search history.

(56) **References Cited**

**U.S. PATENT DOCUMENTS**

D116,600	S	*	9/1939	Thorn et al.	.....	D19/92
D211,139	S	*	5/1968	Nowak	.....	D6/510
3,548,505	A	*	12/1970	Di Candilo	.....	33/527
3,809,352	A	*	5/1974	Mathias	.....	248/444.1
4,155,312	A	*	5/1979	Thorikildson	.....	108/137
4,295,693	A	*	10/1981	Viklund	.....	312/265.5
D297,111	S	*	8/1988	Thompson et al.	.....	D8/373
D300,147	S	*	3/1989	Meyer et al.	.....	D18/59
D309,540	S	*	7/1990	Suttles et al.	.....	D6/491
D311,285	S	*	10/1990	Mastrodicasa	.....	D6/511
D314,114	S	*	1/1991	Steinman	.....	D6/567

D323,091	S	*	1/1992	Boschetto	.....	D6/574
D333,394	S	*	2/1993	Warrington	.....	D6/485
D334,494	S	*	4/1993	Stein	.....	D6/466
5,209,452	A	*	5/1993	Goldberg	.....	248/676
5,613,449	A	*	3/1997	Pullman	.....	108/108
5,702,011	A	*	12/1997	Carroll	.....	211/135
D392,131	S	*	3/1998	Flagg	.....	D6/511
D395,369	S	*	6/1998	Whittington	.....	D6/511
D402,143	S	*	12/1998	Zapf	.....	D6/510
D407,011	S	*	3/1999	Boije	.....	D8/381
D424,330	S	*	5/2000	DeWitt	.....	D6/466
D429,417	S	*	8/2000	Liebers et al.	.....	D3/266
D431,403	S	*	10/2000	Ford	.....	D6/511
6,170,674	B1	*	1/2001	Caterinacci	.....	211/41.1
6,302,369	B1	*	10/2001	Liebers et al.	.....	248/205.3
D455,755	S	*	4/2002	Levine et al.	.....	D14/447
D457,364	S	*	5/2002	Shea	.....	D6/511
D458,484	S	*	6/2002	Wood	.....	D6/511
D461,977	S	*	8/2002	Mitchell	.....	D6/509
6,490,820	B1	*	12/2002	Weakley	.....	40/651
D507,131	S	*	7/2005	Pingel	.....	D6/491
D510,220	S	*	10/2005	Sandy	.....	D6/511

\* cited by examiner

*Primary Examiner*—Cathron C. Brooks  
(74) *Attorney, Agent, or Firm*—Fay, Sharpe, Fagan, Minnich & McKee, LLP

(57) **CLAIM**

The ornamental design for a portion of a cabinet shelf, as shown and described.

**DESCRIPTION**

FIG. 1 is a top perspective view of a portion of a cabinet shelf;  
FIG. 2 is a right side elevation view thereof, with a left side elevation view being a mirror image thereof; and,  
FIG. 3 is a front elevation view thereof.  
The dashed broken lines in FIGS. 1, 2 and 3 represent environmental subject matter and form no part of the claimed design.

**1 Claim, 3 Drawing Sheets**

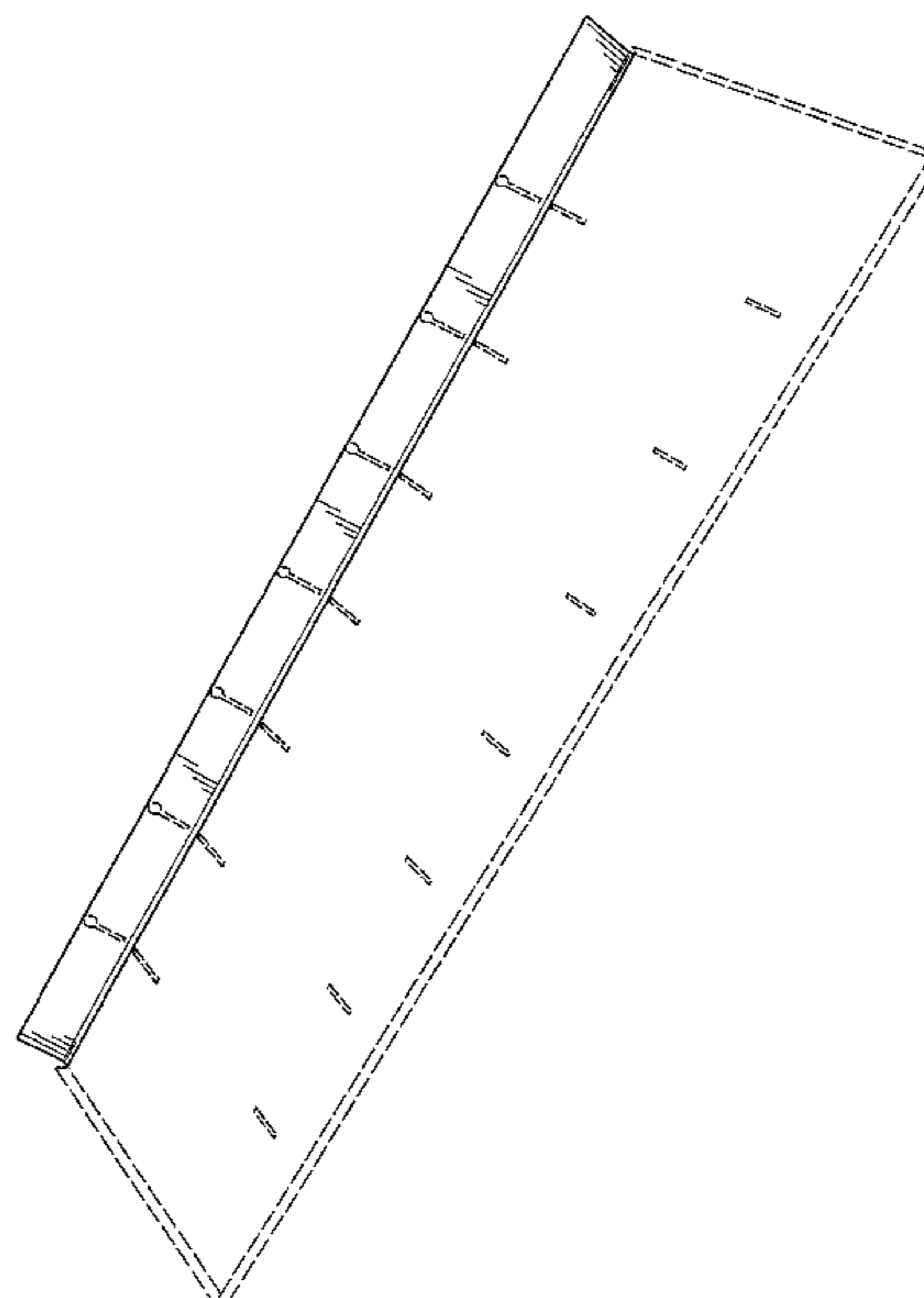
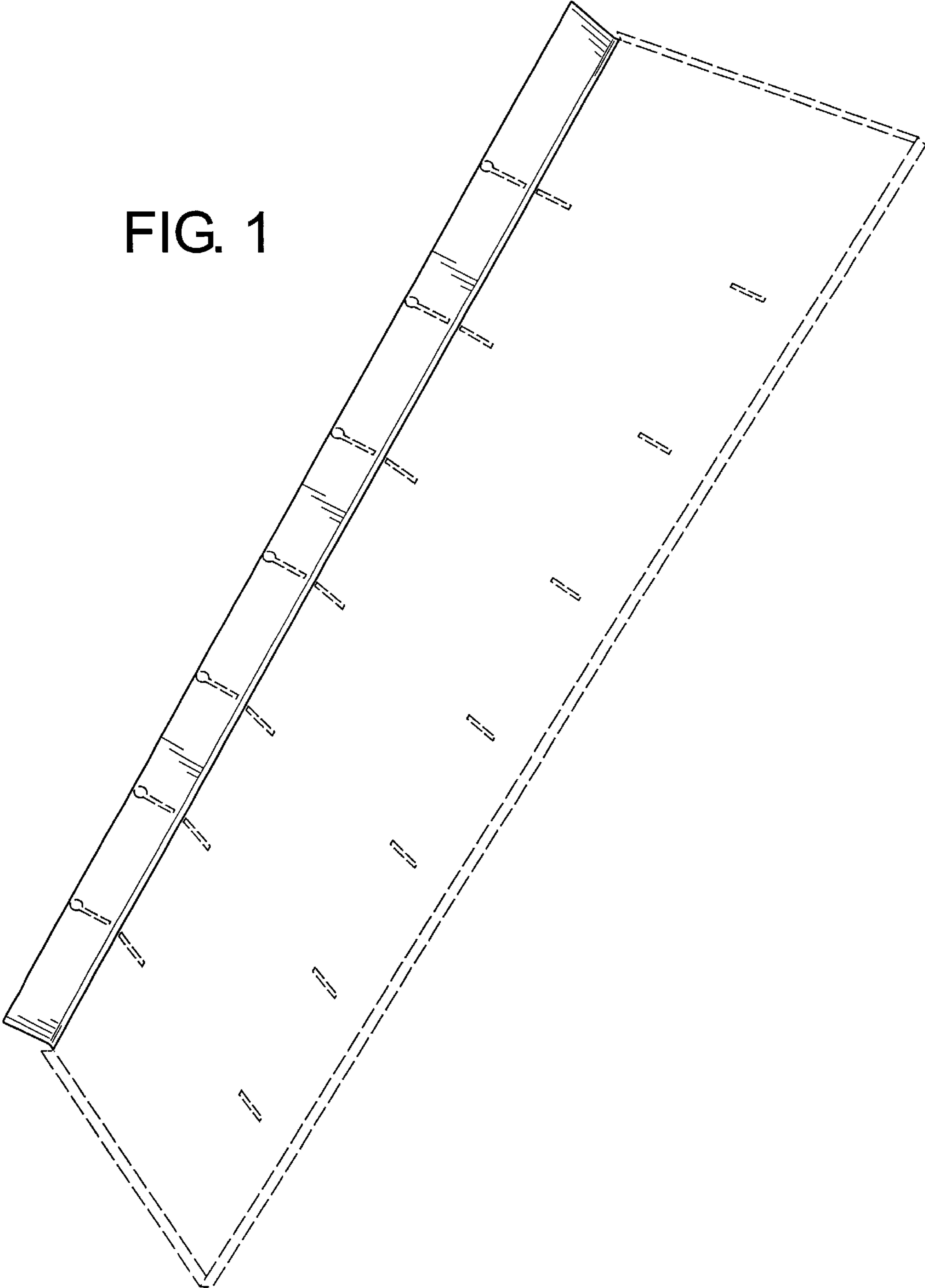


FIG. 1



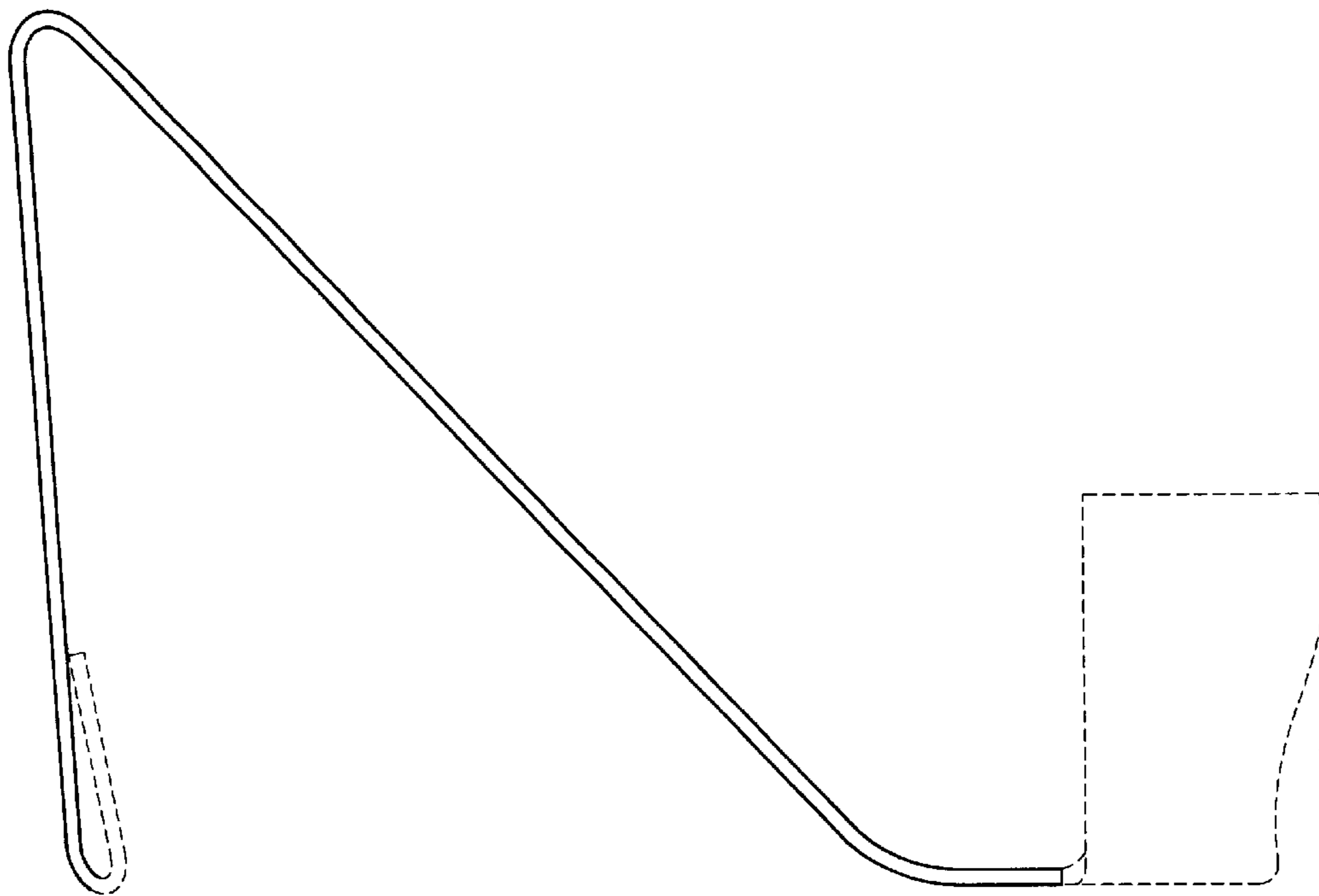


FIG. 2

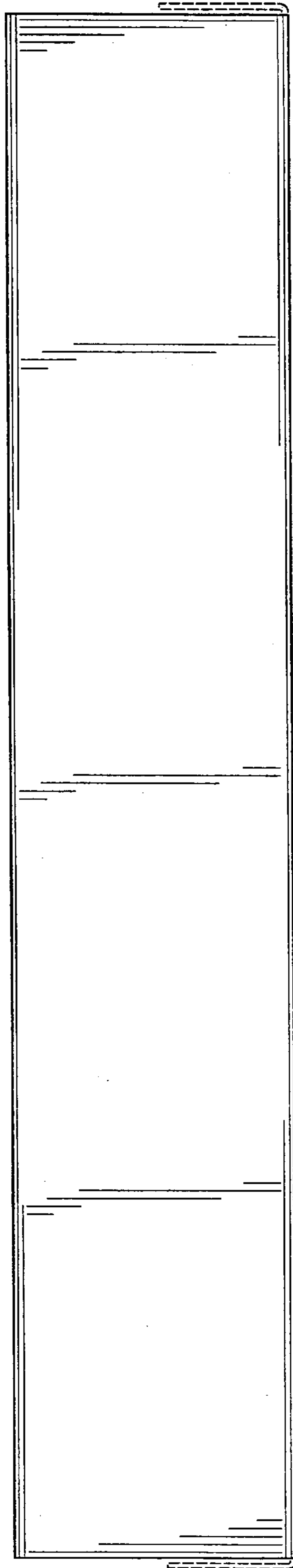


FIG. 3

**Adverse Decision in Interference**

Patent No. D525,059, Bernard J. Golias, Sr., Bernard J. Golias, Jr., Robert J. Golias, Gray W. James, Gary R. Kish, PORTION OF A CABINET SHELF, Interference No. 105,651, final judgment adverse to the patentees rendered June 23, 2009, as to the claim.  
(*Official Gazette, January 12, 2010*)