

US00D525057S

(12) **United States Design Patent**
Koch et al.

(10) **Patent No.:** **US D525,057 S**

(45) **Date of Patent:** **** Jul. 18, 2006**

(54) **CHAIR ARMS**

(75) Inventors: **John Koch**, Iowa City, IA (US); **Ogden R. Olson**, Muscatine, IA (US)

(73) Assignee: **HNI Technologies Inc.**, Muscatine, IA (US)

(**) Term: **14 Years**

(21) Appl. No.: **29/204,423**

(22) Filed: **Apr. 29, 2004**

(51) **LOC (8) Cl.** **06-06**

(52) **U.S. Cl.** **D6/501; D6/366**

(58) **Field of Classification Search** D6/334,
D6/335, 336, 364, 365, 366, 367, 379, 380,
D6/500-502; 297/411.2, 411.27, 411.28,
297/411.29

See application file for complete search history.

(56) **References Cited**

U.S. PATENT DOCUMENTS

D500,211 S * 12/2004 Koch et al. D6/366

D500,932 S * 1/2005 Koch et al. D6/501

* cited by examiner

Primary Examiner—Mimosa De

(74) *Attorney, Agent, or Firm*—Faegre & Benson, LLP

(57) **CLAIM**

The ornamental design for chair arms, as shown and described.

DESCRIPTION

FIG. 1 is a right side isometric view of the chair arms showing the new design;

FIG. 2 is an upward looking isometric view thereof;

FIG. 3 is a left side elevation view thereof;

FIG. 4 is a front elevation view thereof;

FIG. 5 is a right side elevation view thereof;

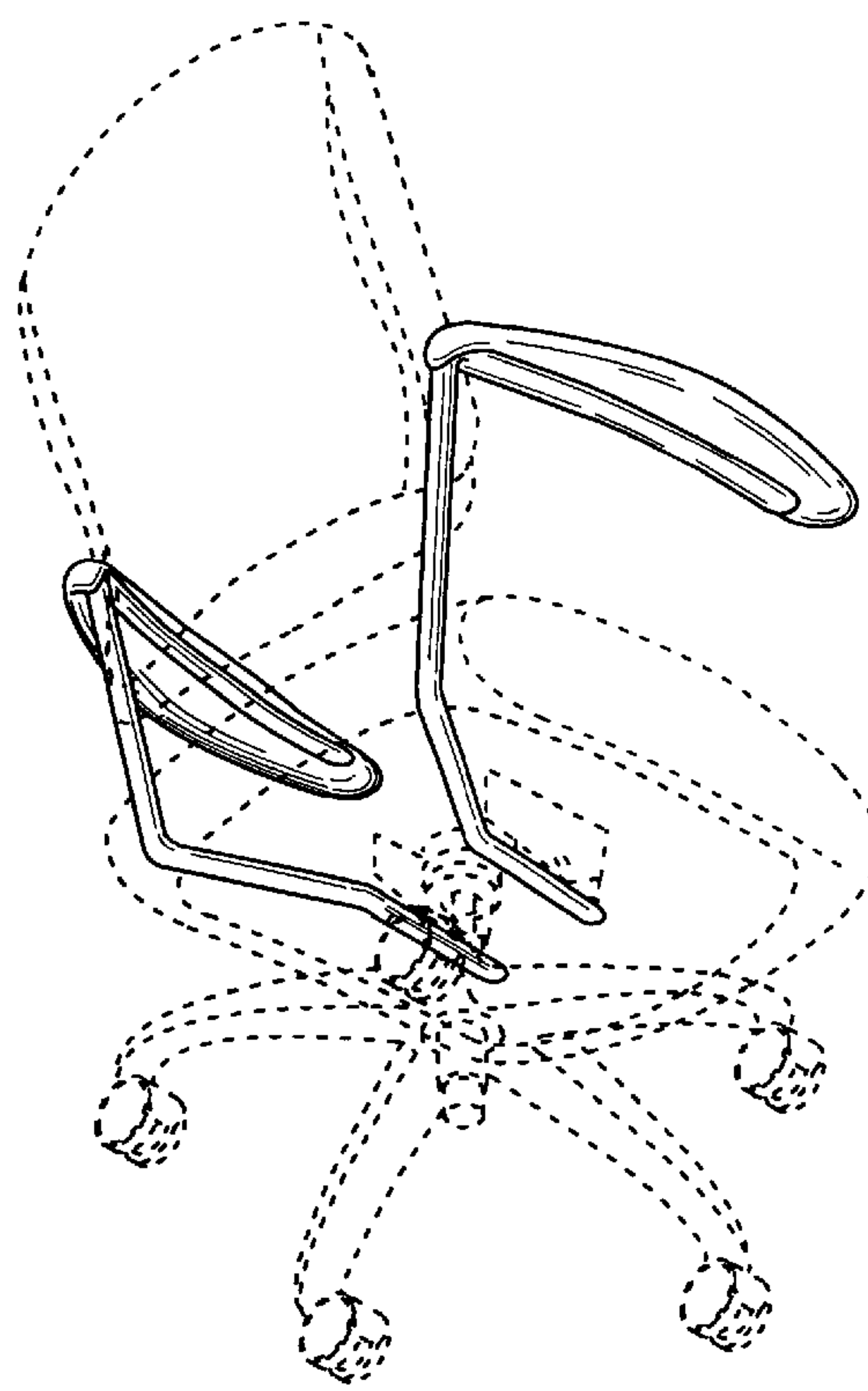
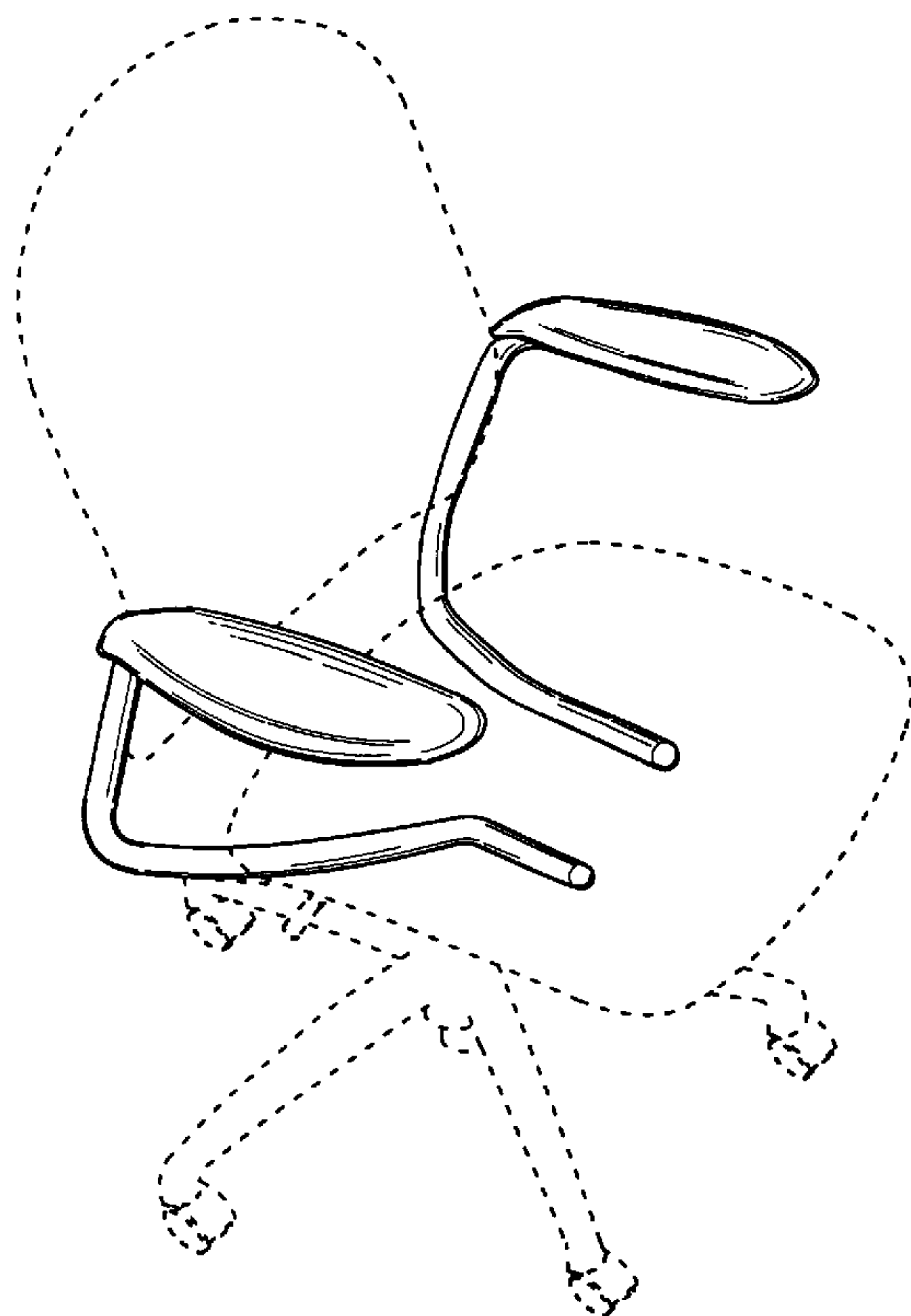
FIG. 6 is a rear elevation view thereof;

FIG. 7 is a top plan view thereof; and,

FIG. 8 is a bottom plan view thereof.

The broken lines in the various figures form no part of the design herein.

1 Claim, 4 Drawing Sheets



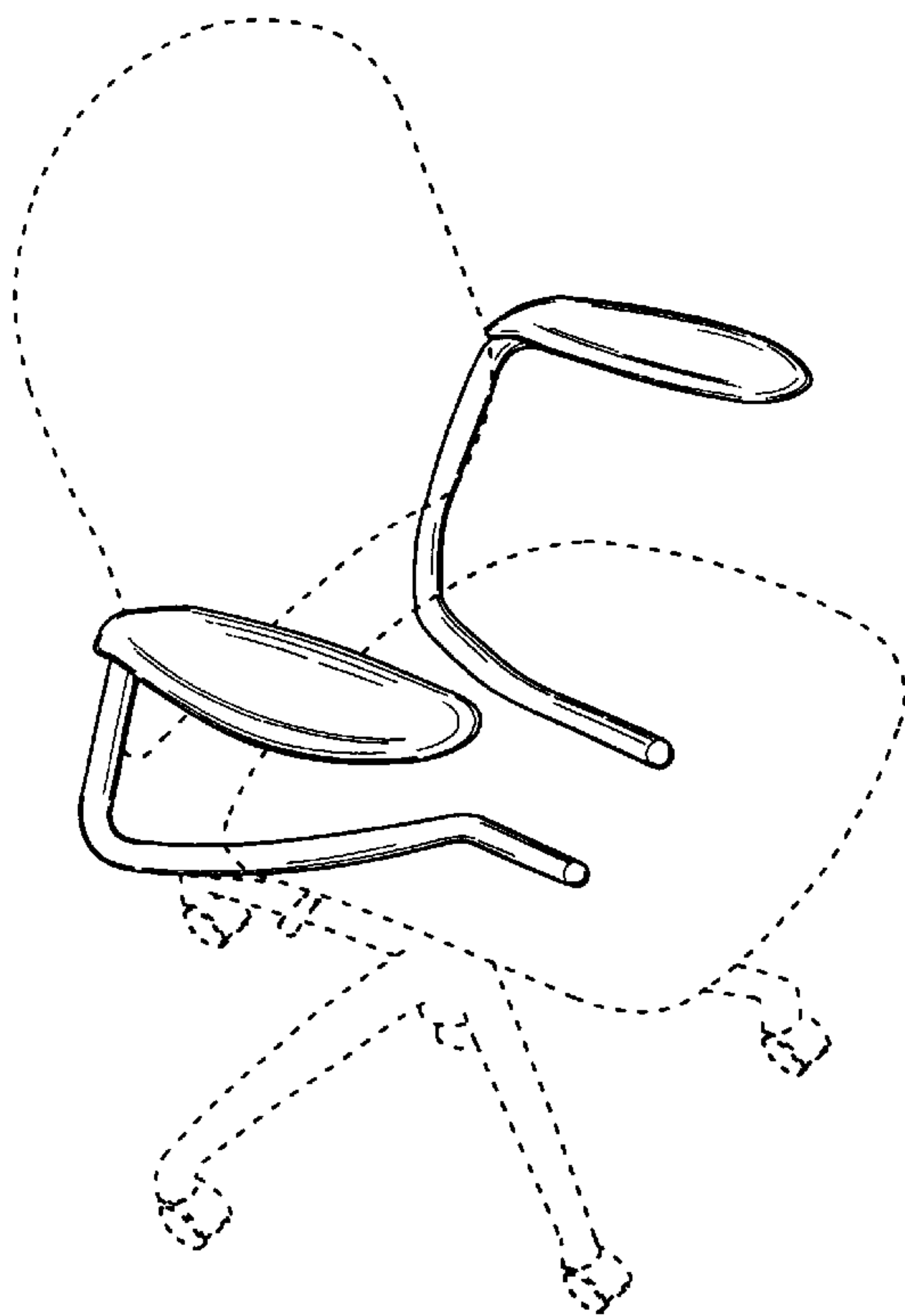


Fig. 1

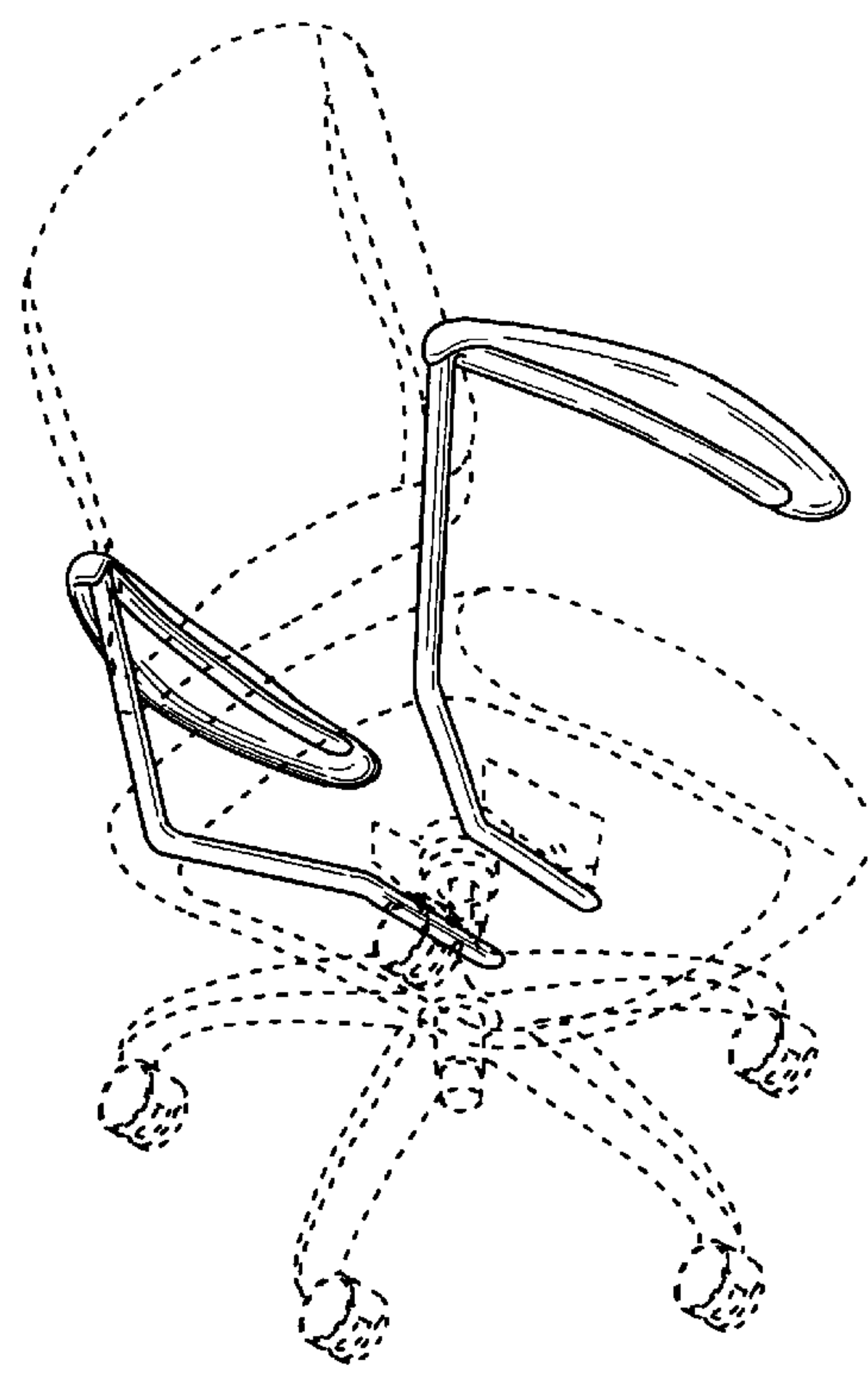


Fig. 2

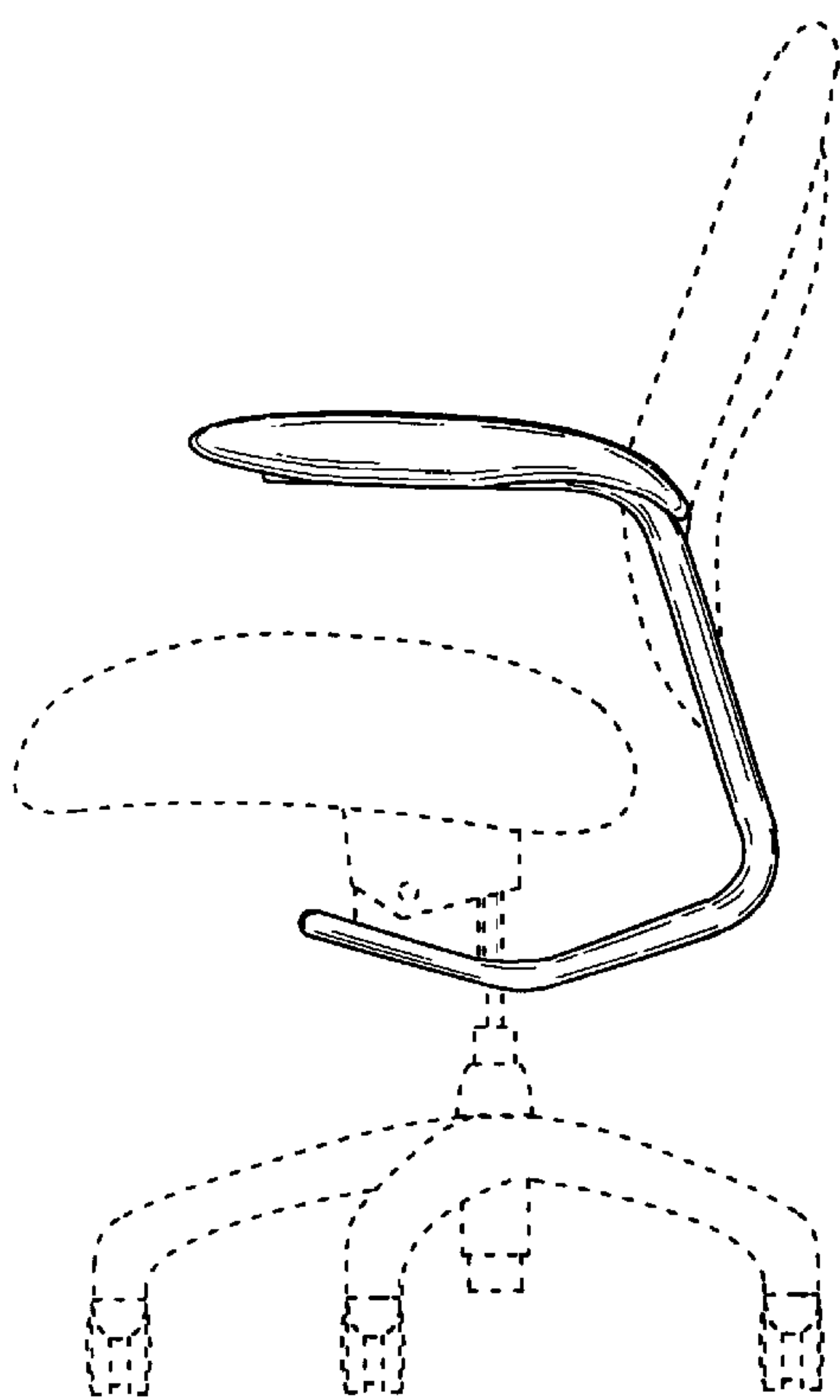


Fig. 3

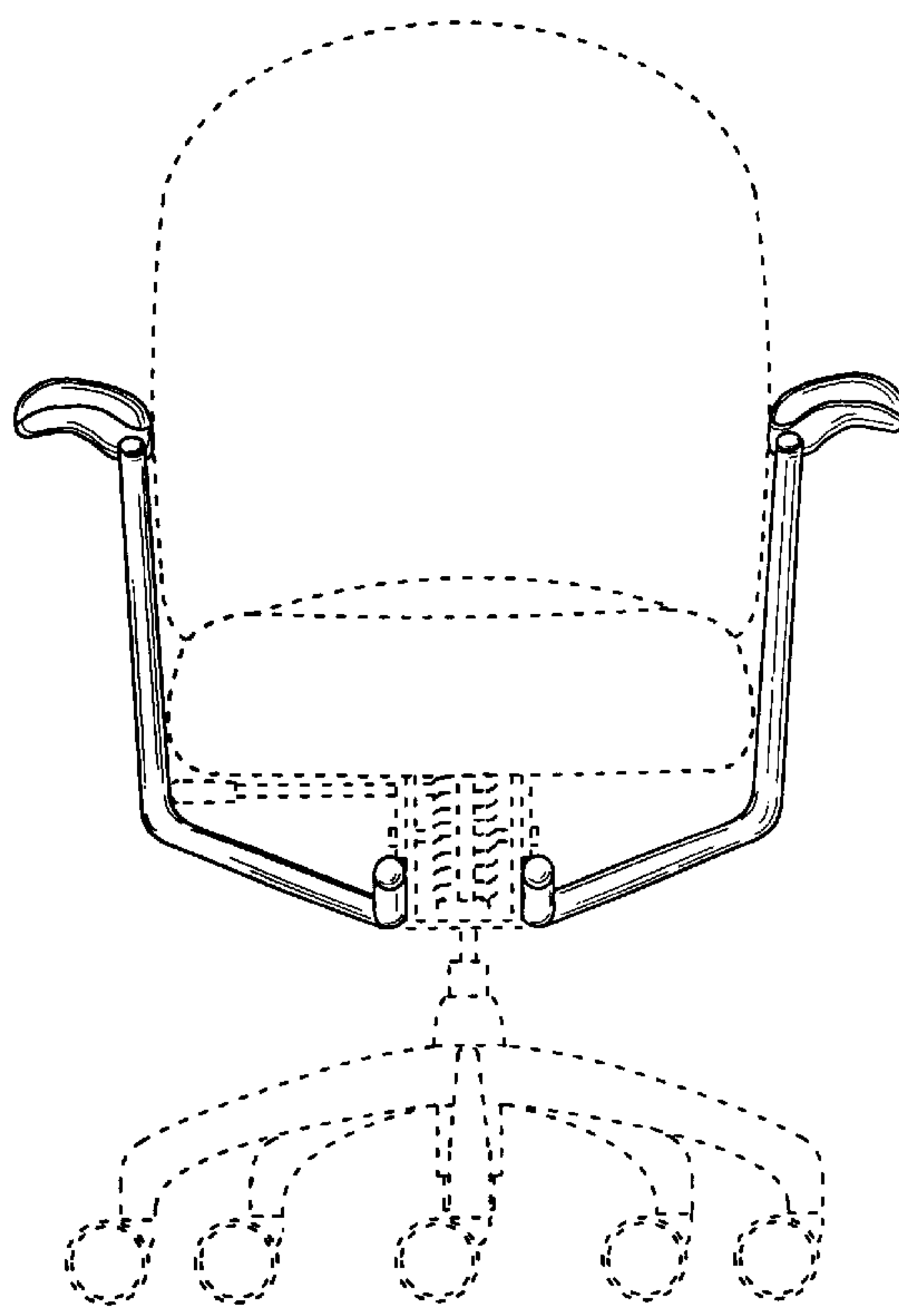


Fig. 4

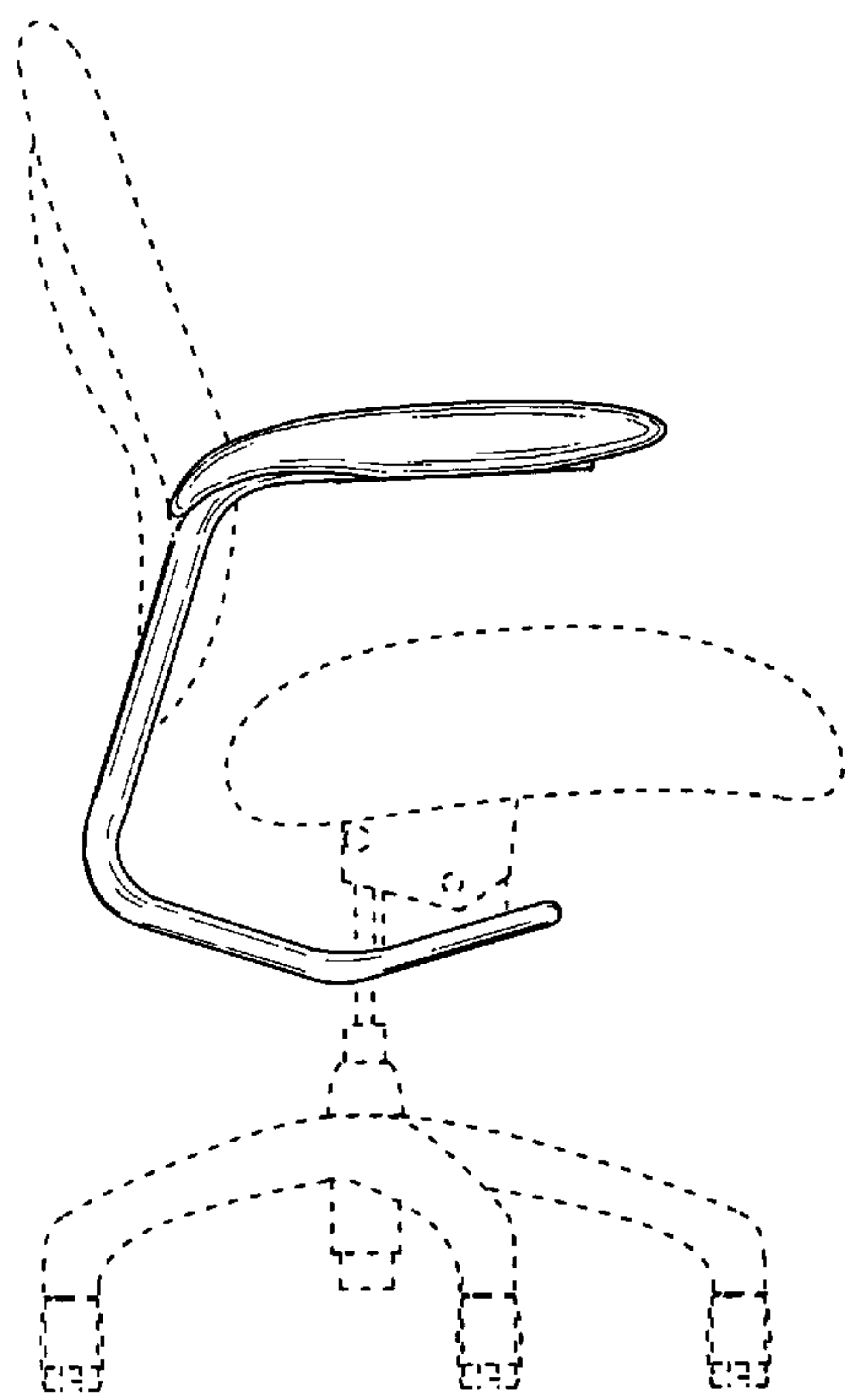


Fig. 5

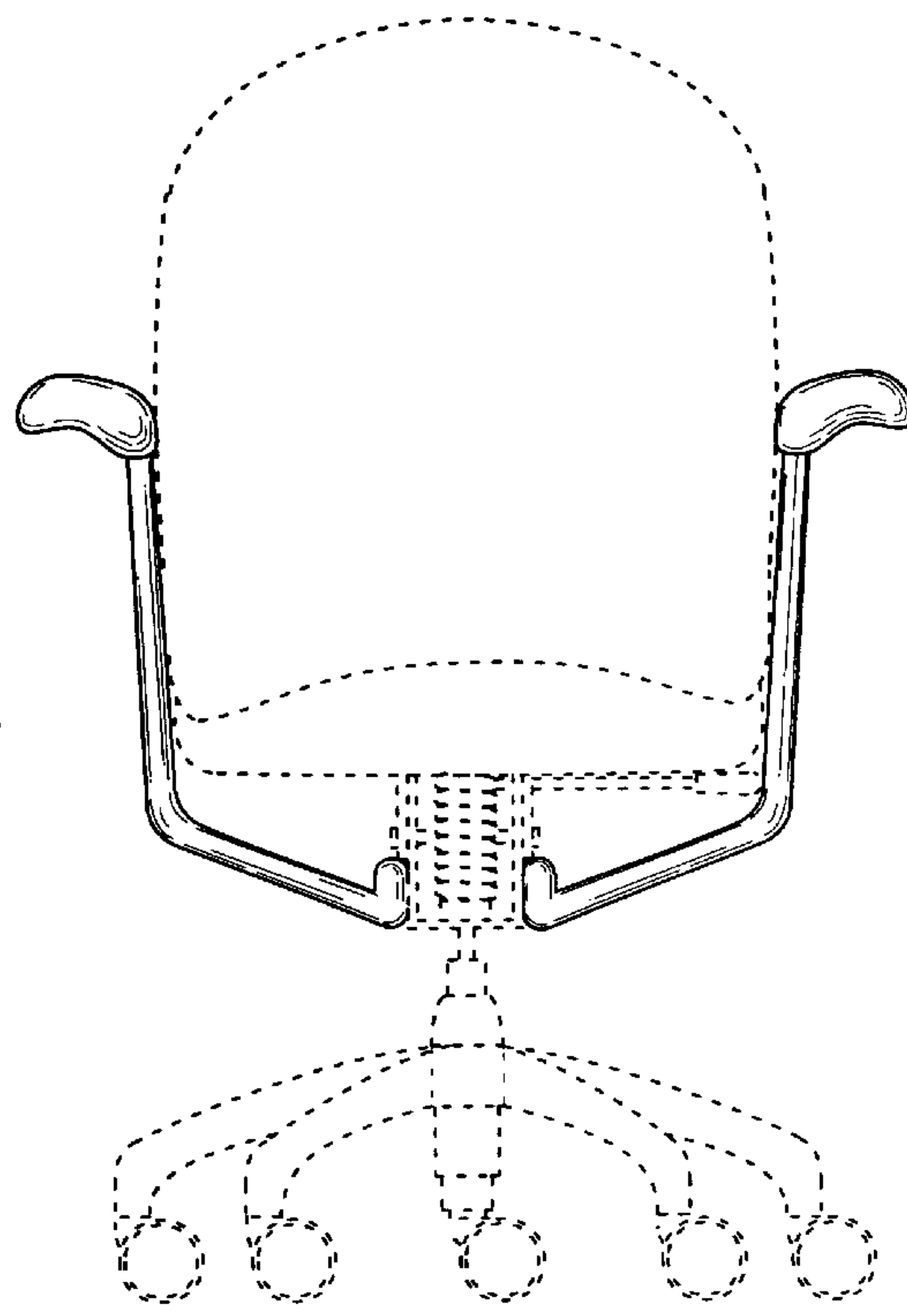


Fig. 6

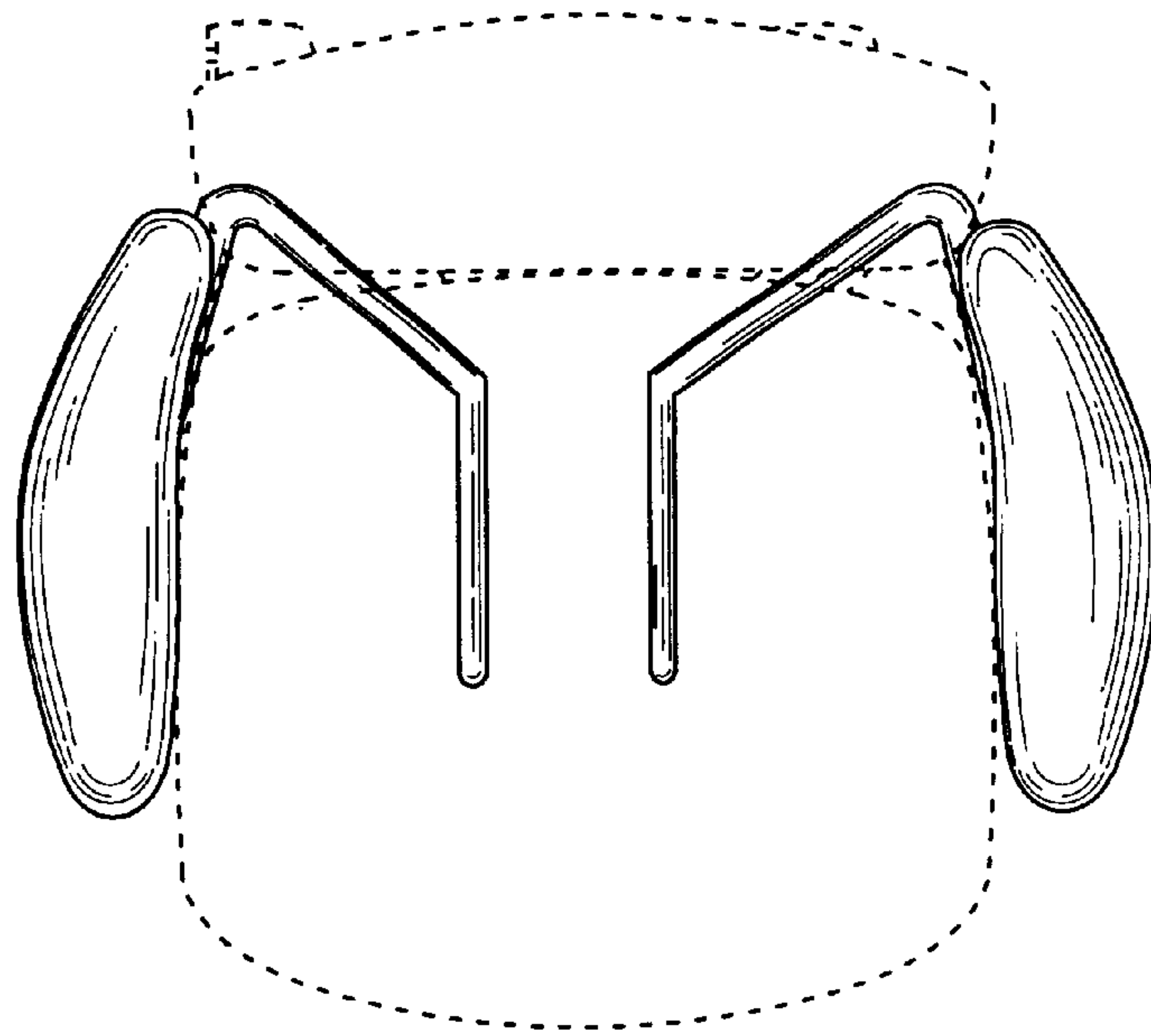


Fig. 7

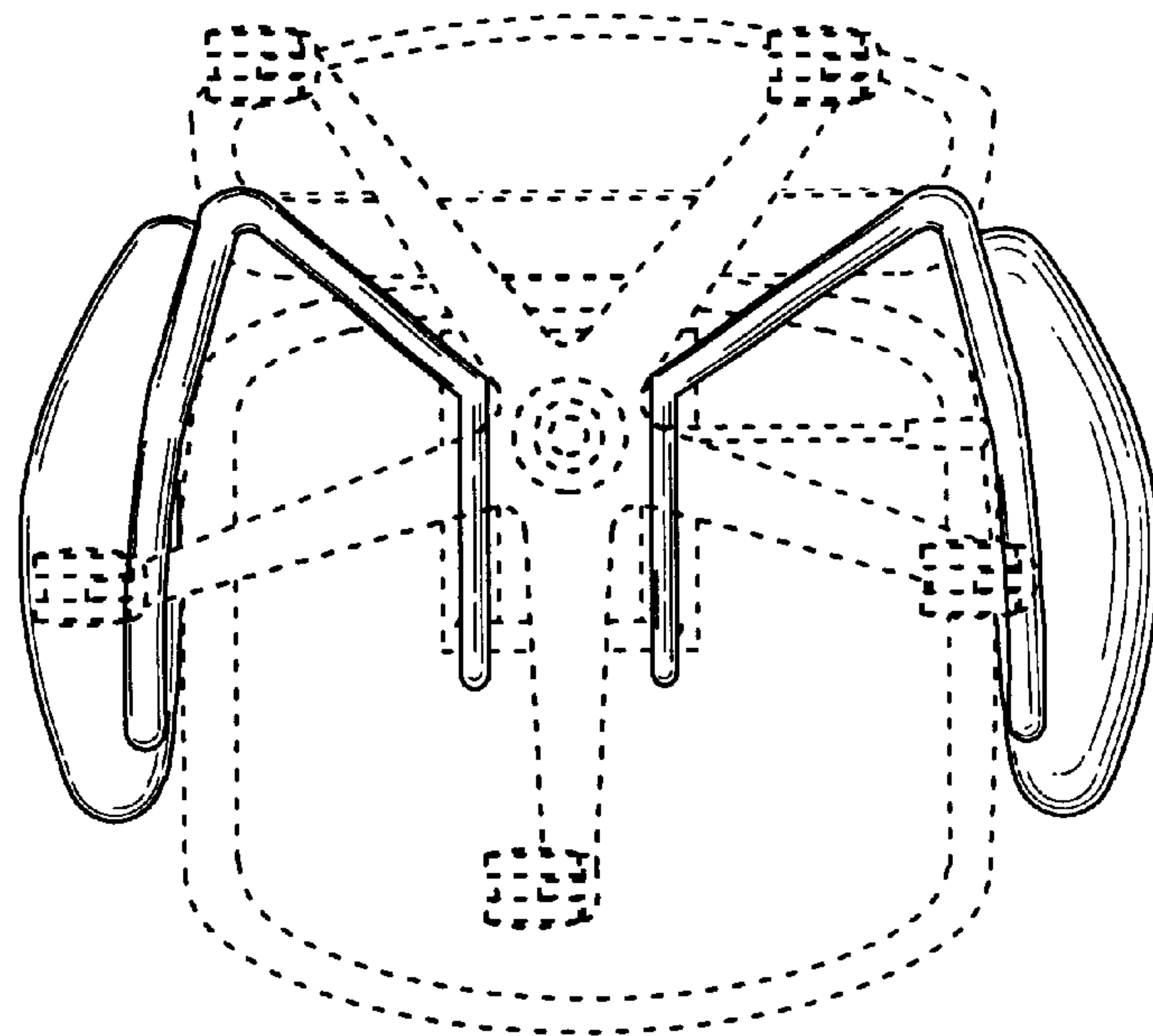


Fig. 8