



US00D525055S

(12) **United States Design Patent** (10) **Patent No.:** **US D525,055 S**
Domack et al. (45) **Date of Patent:** **** Jul. 18, 2006**

(54) **COCKTAIL TABLE**

(75) Inventors: **Randy D. Domack**, Trempealeau, WI (US); **Terry A. Everson**, Blair, WI (US)

(73) Assignee: **Ashley Furniture Industries, Inc.**, Arcadia, WI (US)

(**) Term: **14 Years**

(21) Appl. No.: **29/220,956**

(22) Filed: **Jan. 7, 2005**

(51) **LOC (8) Cl.** **06-03**

(52) **U.S. Cl.** **D6/480**

(58) **Field of Classification Search** D6/480-489, D6/495-499, 429, 511, 491, 477; 108/150, 108/153.1, 155, 156, 161; 248/188, 188.1, 248/188.7, 188.8

See application file for complete search history.

(56) **References Cited**

U.S. PATENT DOCUMENTS

D214,672 S	7/1969	Ricca	
D245,302 S	8/1977	Pratt	
D341,505 S	11/1993	Nourse	
D367,785 S	3/1996	Lewis	
D388,980 S	* 1/1998	Mohundro	D6/480
D402,141 S	12/1998	Luong et al.	
D404,596 S	1/1999	Luong et al.	
D439,770 S	* 4/2001	McDaniel et al.	D6/480
D445,607 S	7/2001	O'Hare et al.	
D465,111 S	* 11/2002	McDaniel et al.	D6/480
D469,637 S	2/2003	O'Hare	
D497,064 S	* 10/2004	Domack	D6/480
D512,858 S	* 12/2005	Katz et al.	D6/480

OTHER PUBLICATIONS

21.500.1 French Canadian Cocktail Table, Milling Pond, 2002.

Ashley Softgoods, Product Photography, Occasional Tables, undated, p. 171.

Aston Court Cocktail Table, Henredon, <http://www.henredon.com/result.asp?ITEM=466&ZOOM=1>, Oct. 12, 2004.
Grand Provenance Cocktail Table, Henredon, <http://www.henredon.com/result.asp?ITEM=255&ZOOM=1>, Oct. 12, 2004.

Barton Oaks Series Cocktail Table, Ashley Furniture Industries, Inc., <http://www.ashleyfurniture.com/Catalog/Series-Detail.asp?Group=9&NA=0&style=all+st...>, Oct. 12, 2004.
Trestle Cocktail Table, Thomasville, <http://www.thomasville.com/Products/Products.asp?ItemID=3777>, Oct. 13, 2004.
Jefferson Bay Series Cocktail Table, Ashley Furniture Industries, Inc., <http://www.ashleyfurniture.com/Catalog/Series-Detail.asp?Group=9%NA=0&style=all+st...>, Oct. 13, 2004.
Lincoln Road Series Cocktail Table, Ashley Furniture Industries, Inc., <http://www.ashleyfurniture.com/Catalog/Series-Detail.asp?Group=9&NA=0&style=all+st...>, Oct. 13, 2004.
Wigeon Hall Series Cocktail Table, Ashley Furniture Industries, Inc., <http://www.ashleyfurniture.com/Catalog/Series-Detail.asp?Group=9&NA=0&style=all+st...>, Oct. 13, 2004.

* cited by examiner

Primary Examiner—Janice Seeger

(74) *Attorney, Agent, or Firm*—Patterson, Thunte, Skaar & Christensen, P.A.

(57) **CLAIM**

We claim the ornamental design for a cocktail table, as shown and described.

DESCRIPTION

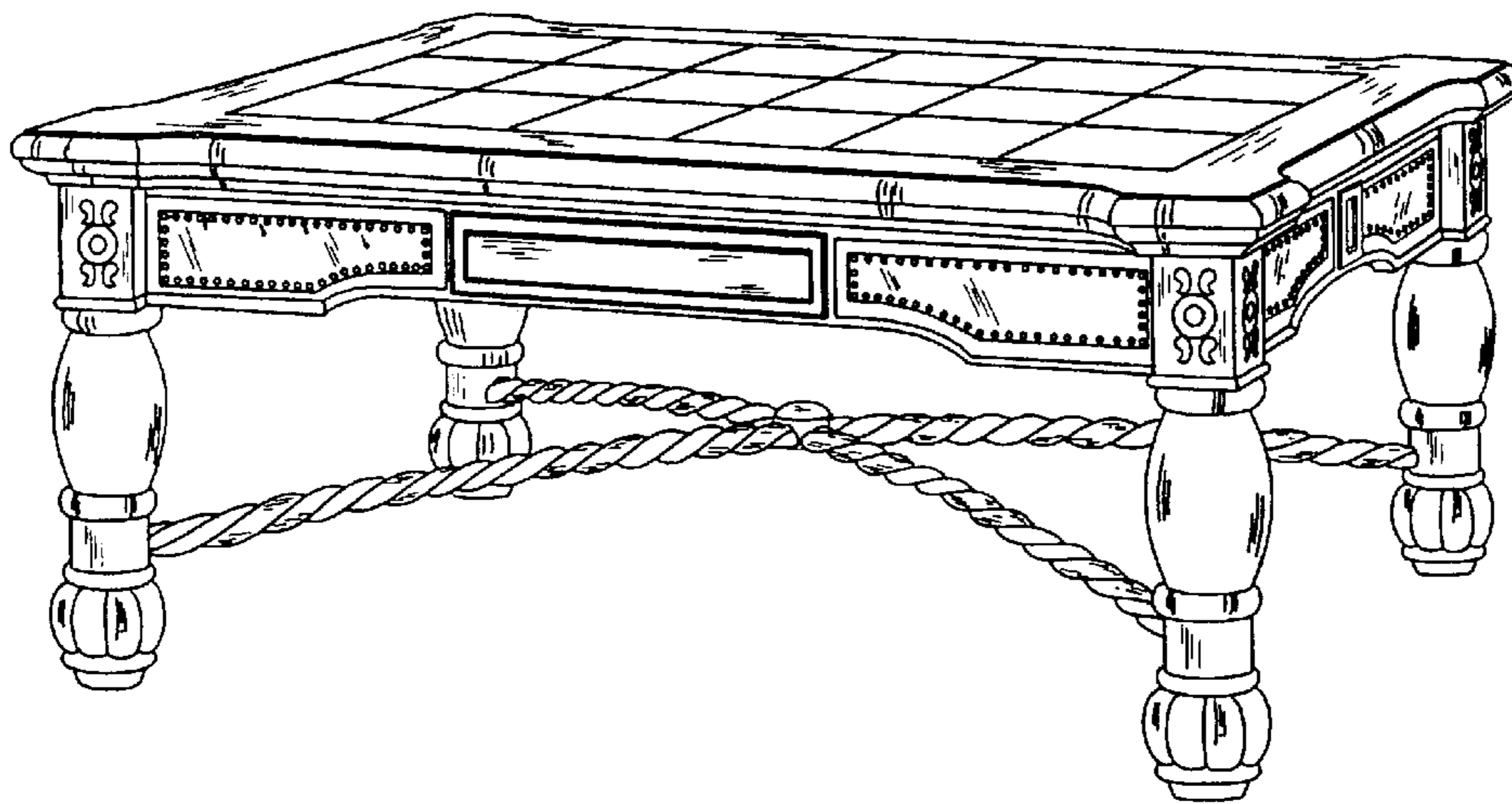
FIG. 1 is a perspective view of a cocktail table according to an embodiment of the invention.

FIG. 2 is a front elevational view of a cocktail table according to an embodiment of the invention. The rear elevational view being a mirror image thereof.

FIG. 3 is a side elevational view of a cocktail table according to an embodiment of the invention. The elevational view of the opposite side being a mirror image thereof; and,

FIG. 4 is a plan view of a cocktail table according to an embodiment of the invention.

1 Claim, 3 Drawing Sheets



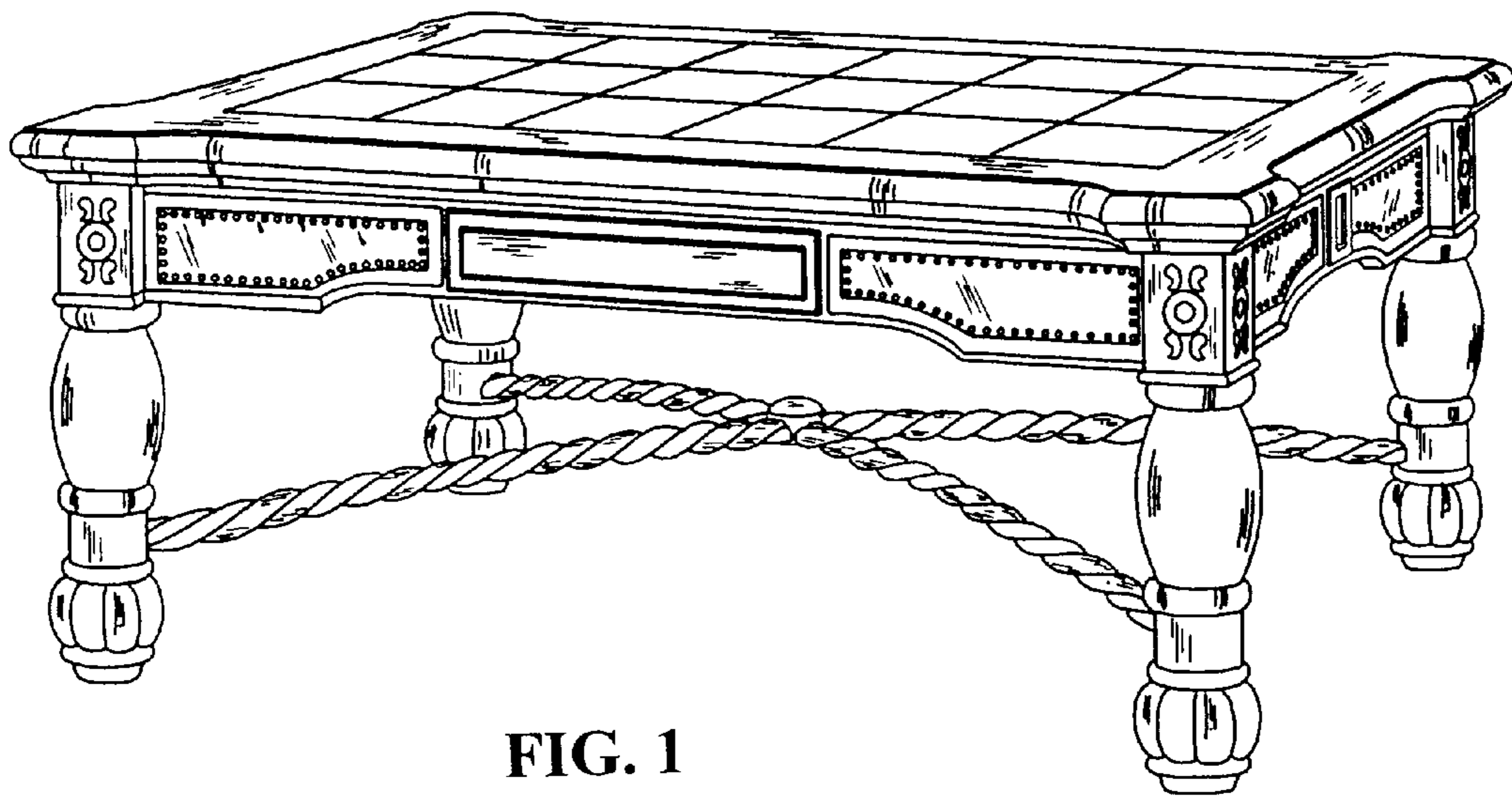


FIG. 1

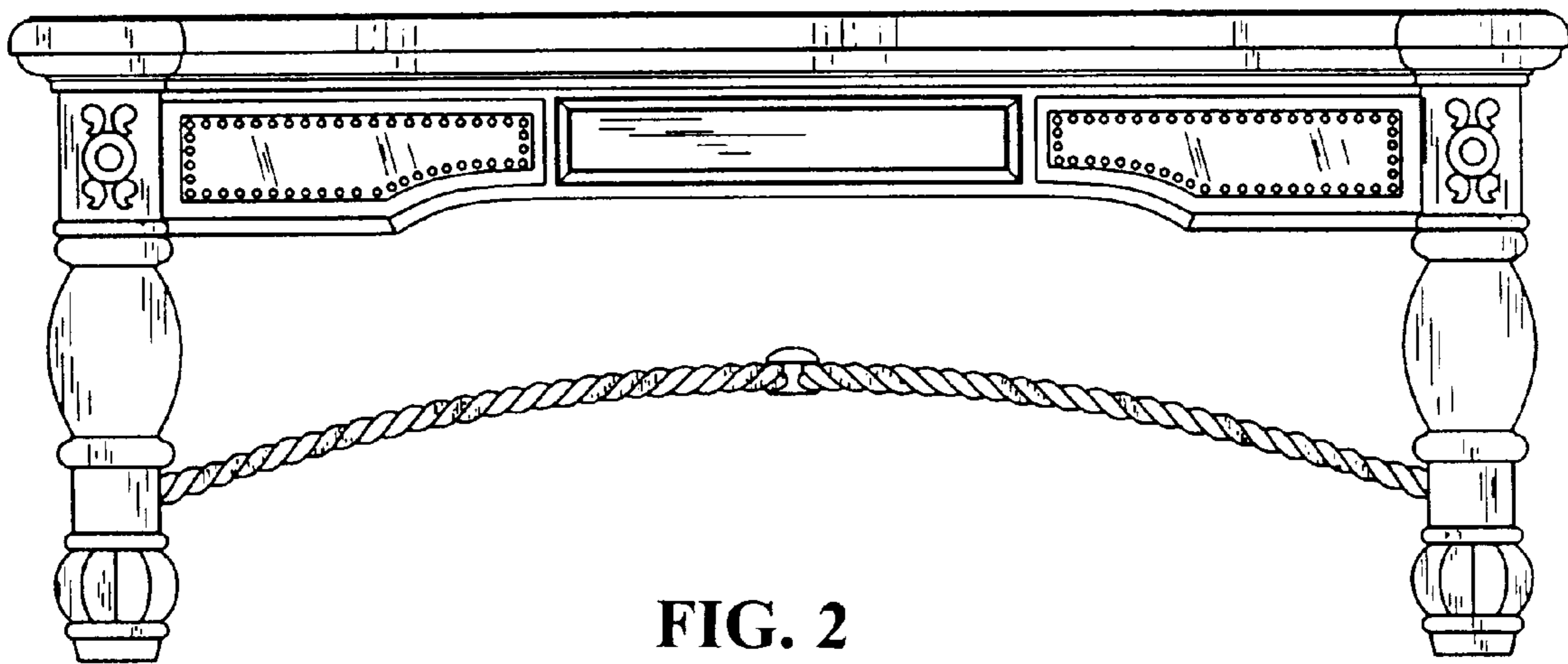


FIG. 2

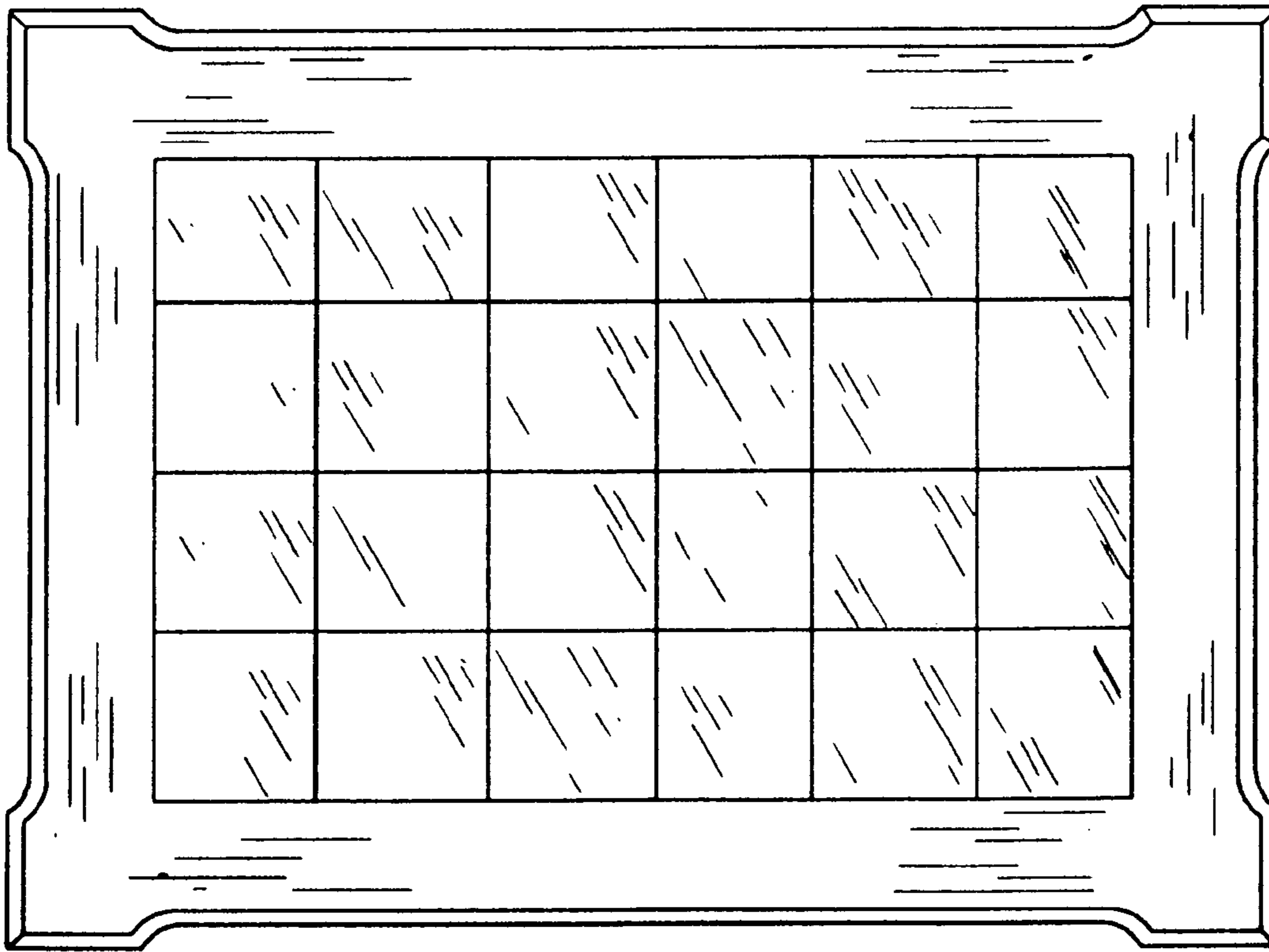


FIG. 4

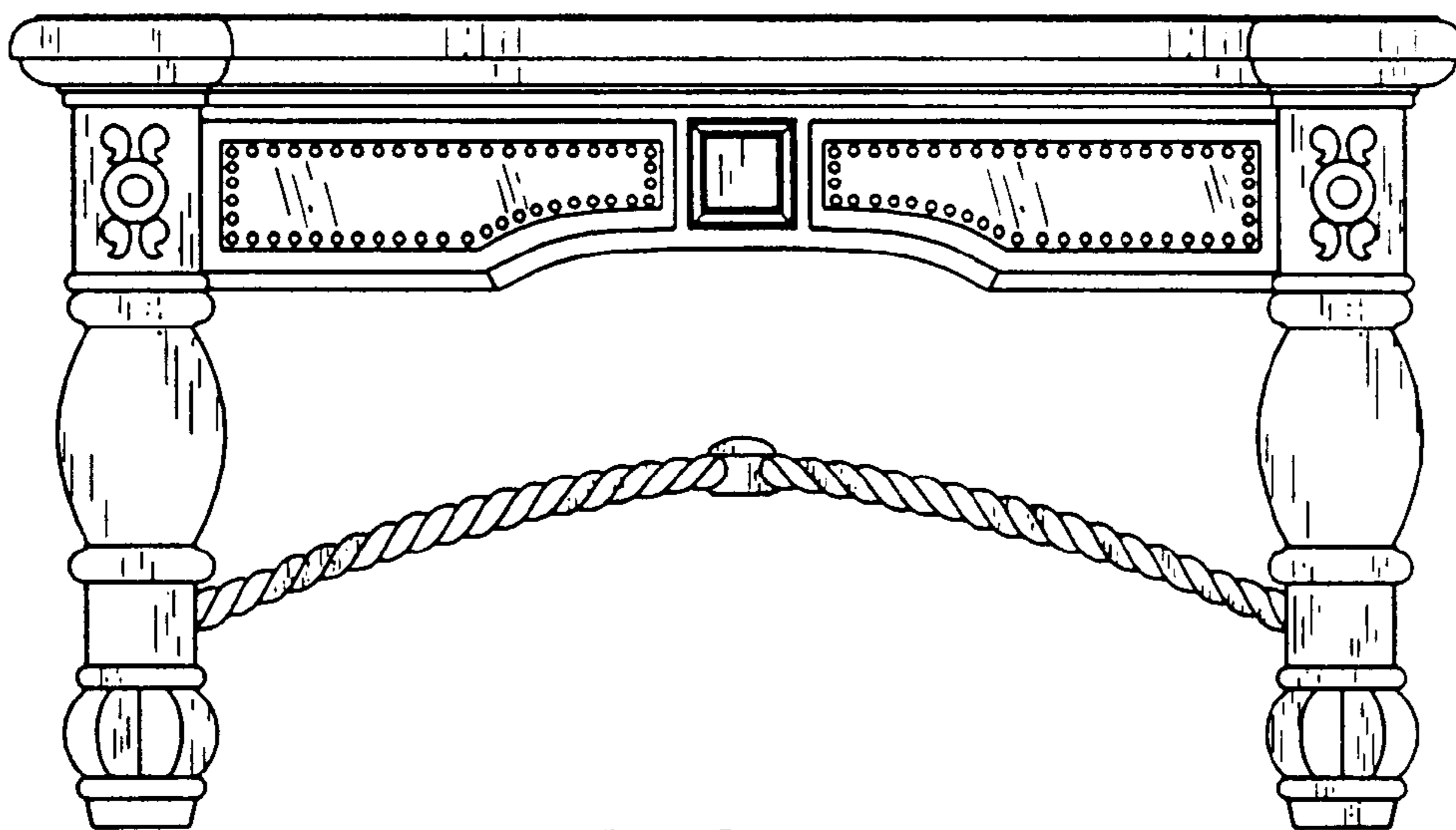


FIG. 3