

US00D525053S

(12) **United States Design Patent**
Smith

(10) **Patent No.:** **US D525,053 S**

(45) **Date of Patent:** **** Jul. 18, 2006**

(54) **TELEVISION STAND**

(75) **Inventor:** **Gordon Wayne Smith**, San Diego, CA (US)

(73) **Assignees:** **Sony Corporation**, Tokyo (JP); **Sony Electronics Inc.**, Park Ridge, NJ (US)

(**) **Term:** **14 Years**

(21) **Appl. No.:** **29/217,010**

(22) **Filed:** **Nov. 9, 2004**

(51) **LOC (8) Cl.** **06-04**

(52) **U.S. Cl.** **D6/477**

(58) **Field of Classification Search** D6/460, D6/461, 468, 474, 477-479; D14/126, 129; 312/7.2, 9.1; 108/59, 91, 92, 93, 96; 211/40, 211/41.12, 42, 49.1, 50, 85.2, 90.04, 187, 211/190, 119.003, 134.153, 87.01, 71.01
See application file for complete search history.

(56) **References Cited**

U.S. PATENT DOCUMENTS

5,584,595 A * 12/1996 Gantitano et al. 312/7.2
D454,731 S * 3/2002 Niitsu D6/479
D489,547 S * 5/2004 Acevedo et al. D6/477

D491,002 S * 6/2004 Forlenza et al. D6/477
D496,543 S * 9/2004 Forlenza D6/477
6,814,009 B1 * 11/2004 Acevedo et al. 108/93
D502,451 S * 3/2005 Kita D14/126
2003/0066463 A1 * 4/2003 Acevedo et al. 108/93

* cited by examiner

Primary Examiner—Cathron C. Brooks

(74) *Attorney, Agent, or Firm*—John L. Rogitz

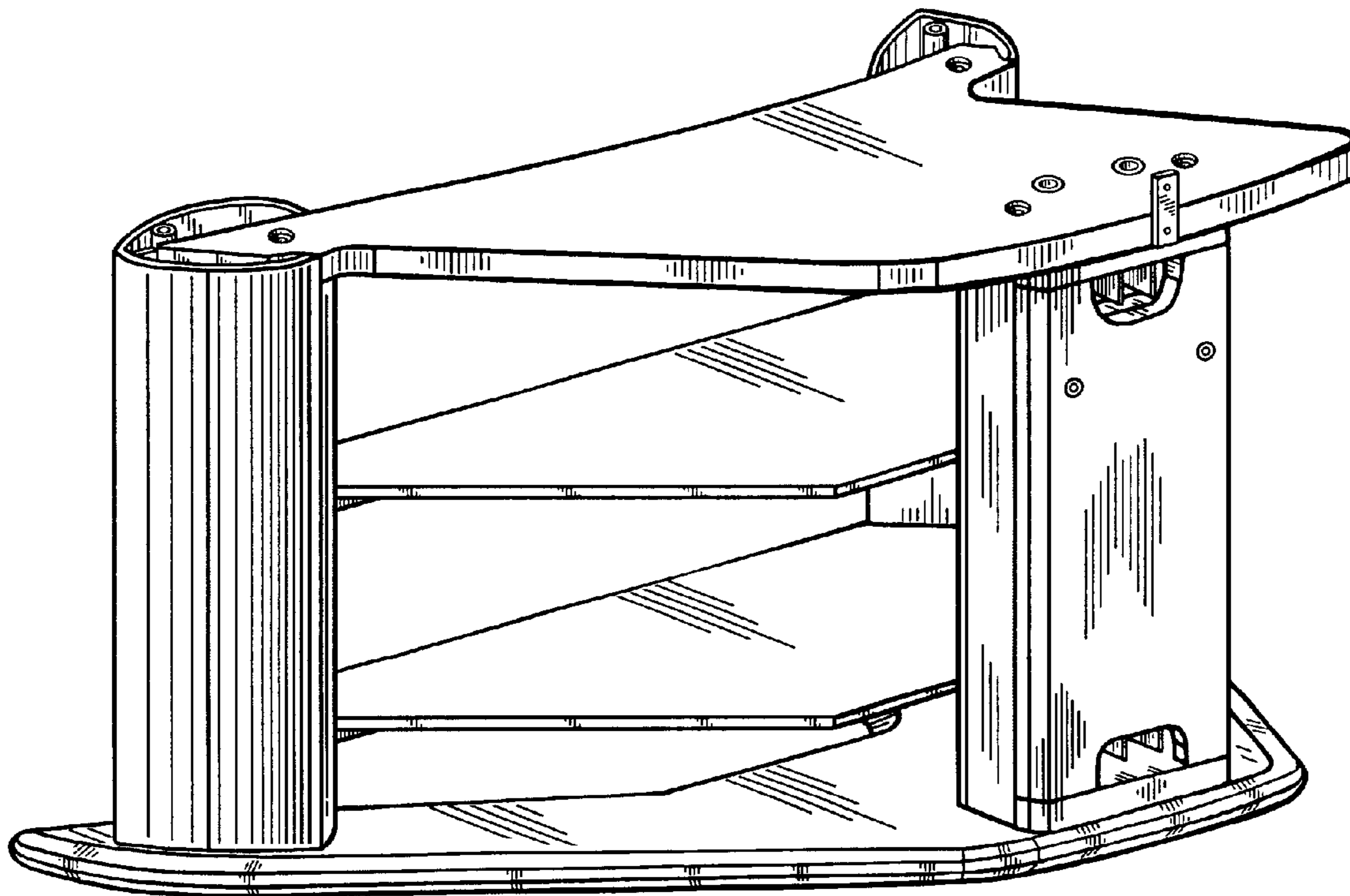
(57) **CLAIM**

The ornamental design for the television stand, as shown and described.

DESCRIPTION

FIG. 1 is a perspective view of the television stand from the front, showing a TV disposed on the stand; FIG. 2 is a perspective view of the television stand from the rear, showing a TV disposed on the stand; FIG. 3 is a top plan view of the television stand; FIG. 4 is a bottom plan view of the television stand; FIG. 5 is a rear elevational view of the television stand; FIG. 6 is a front elevational view of the television stand; and, FIG. 7 is a side elevational view of the television stand. The broken lines shown are for illustrative purposes only and form no part of the claimed design.

1 Claim, 4 Drawing Sheets



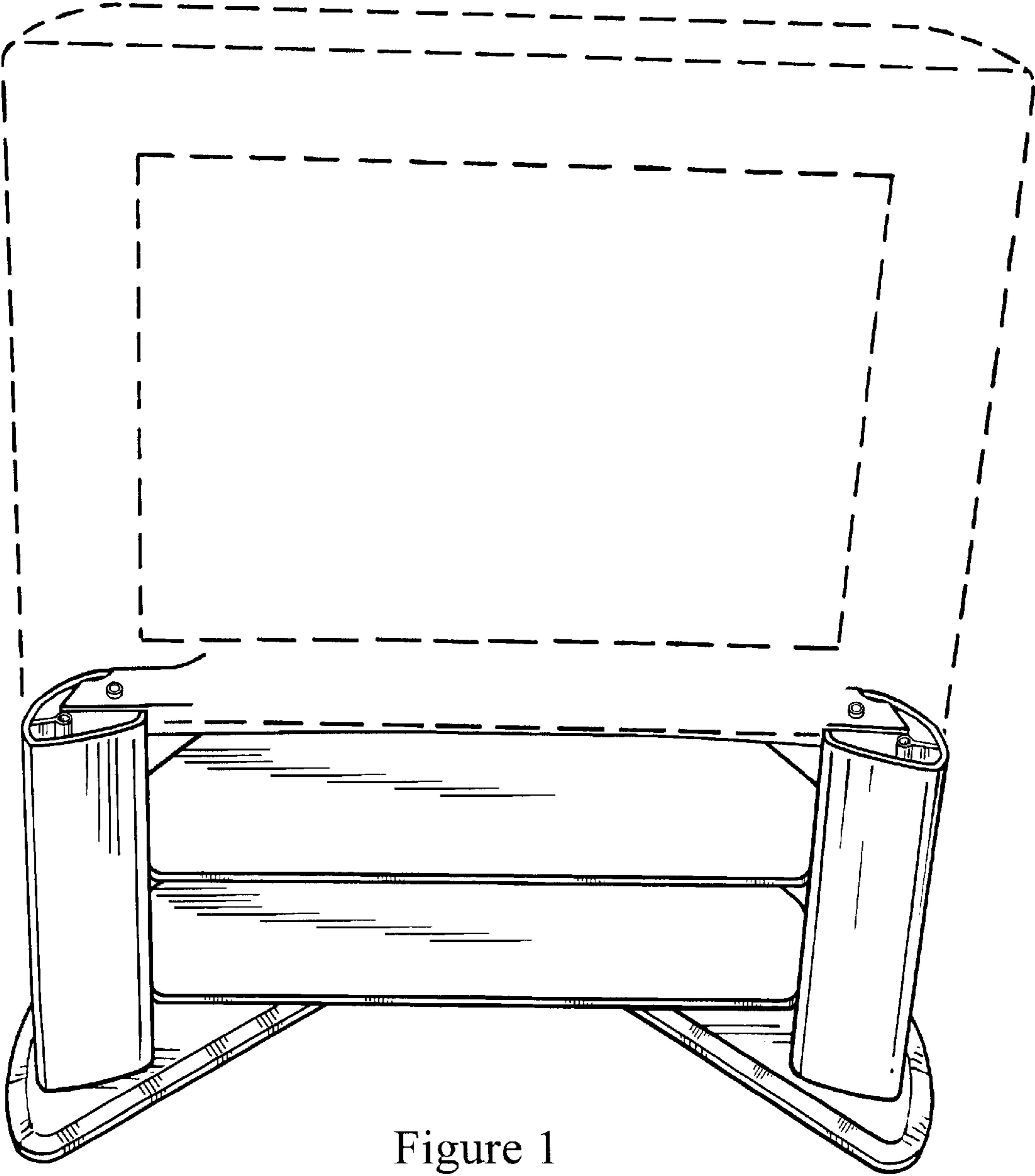


Figure 1

Figure 2

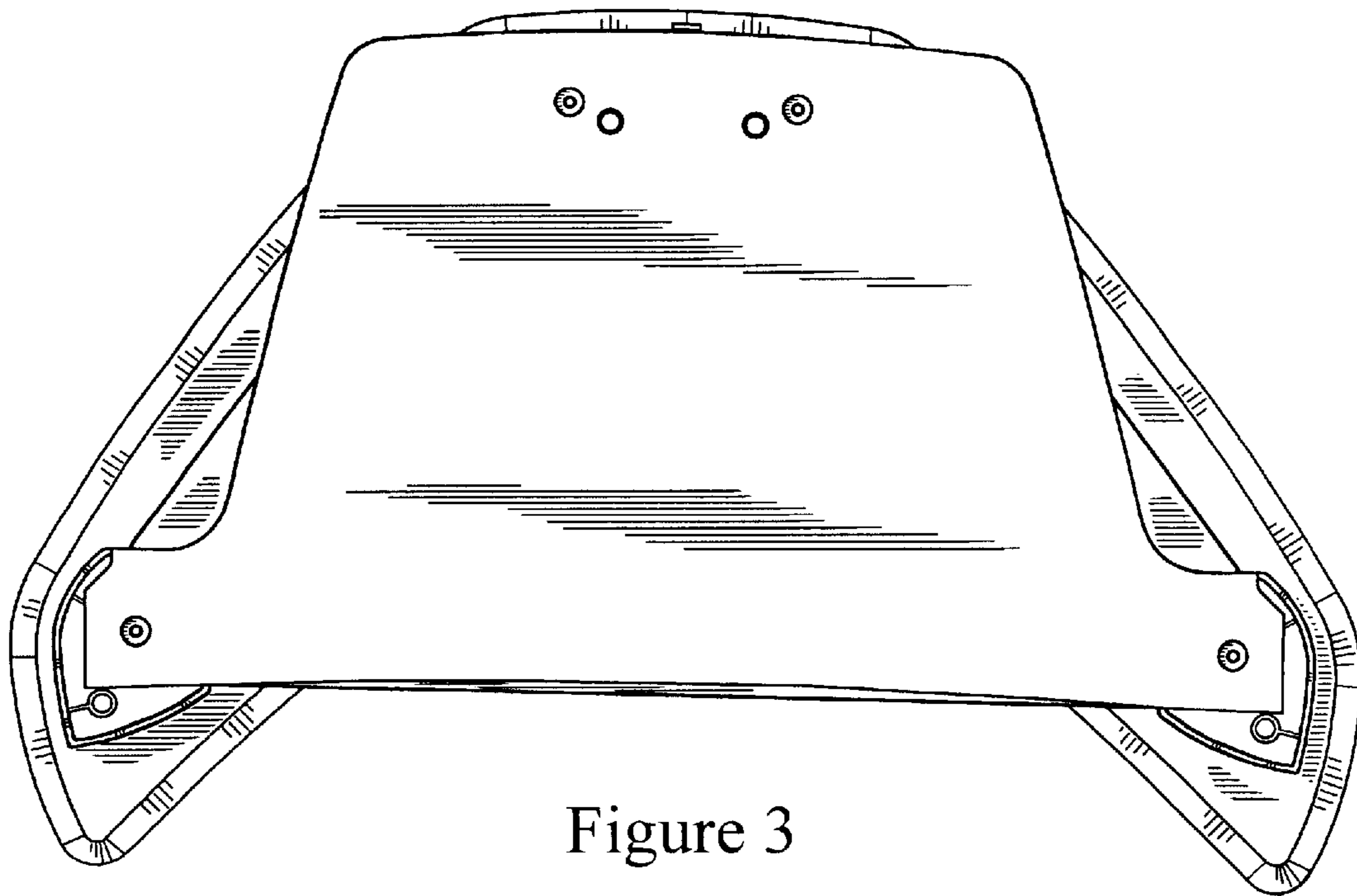
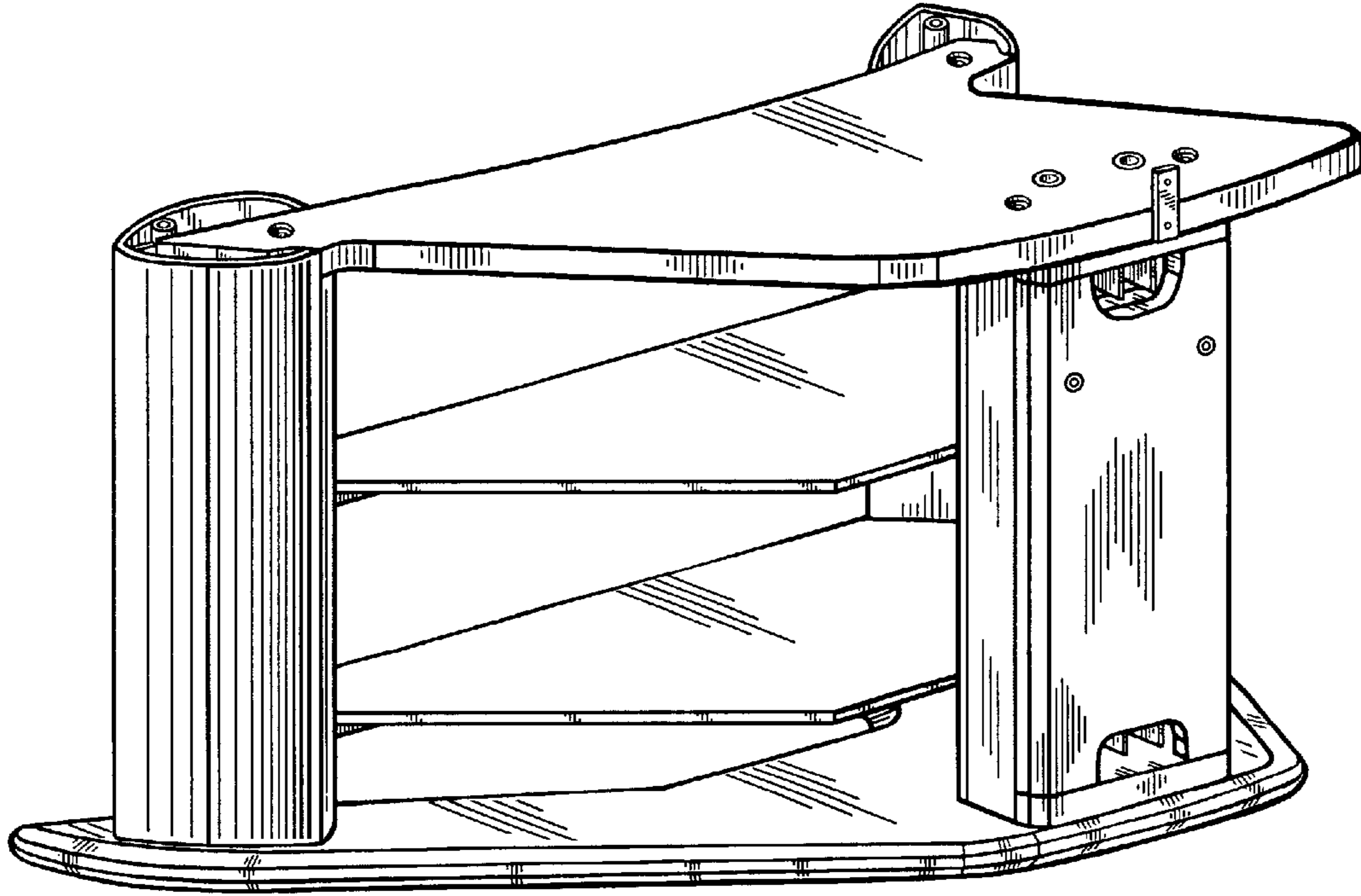


Figure 3

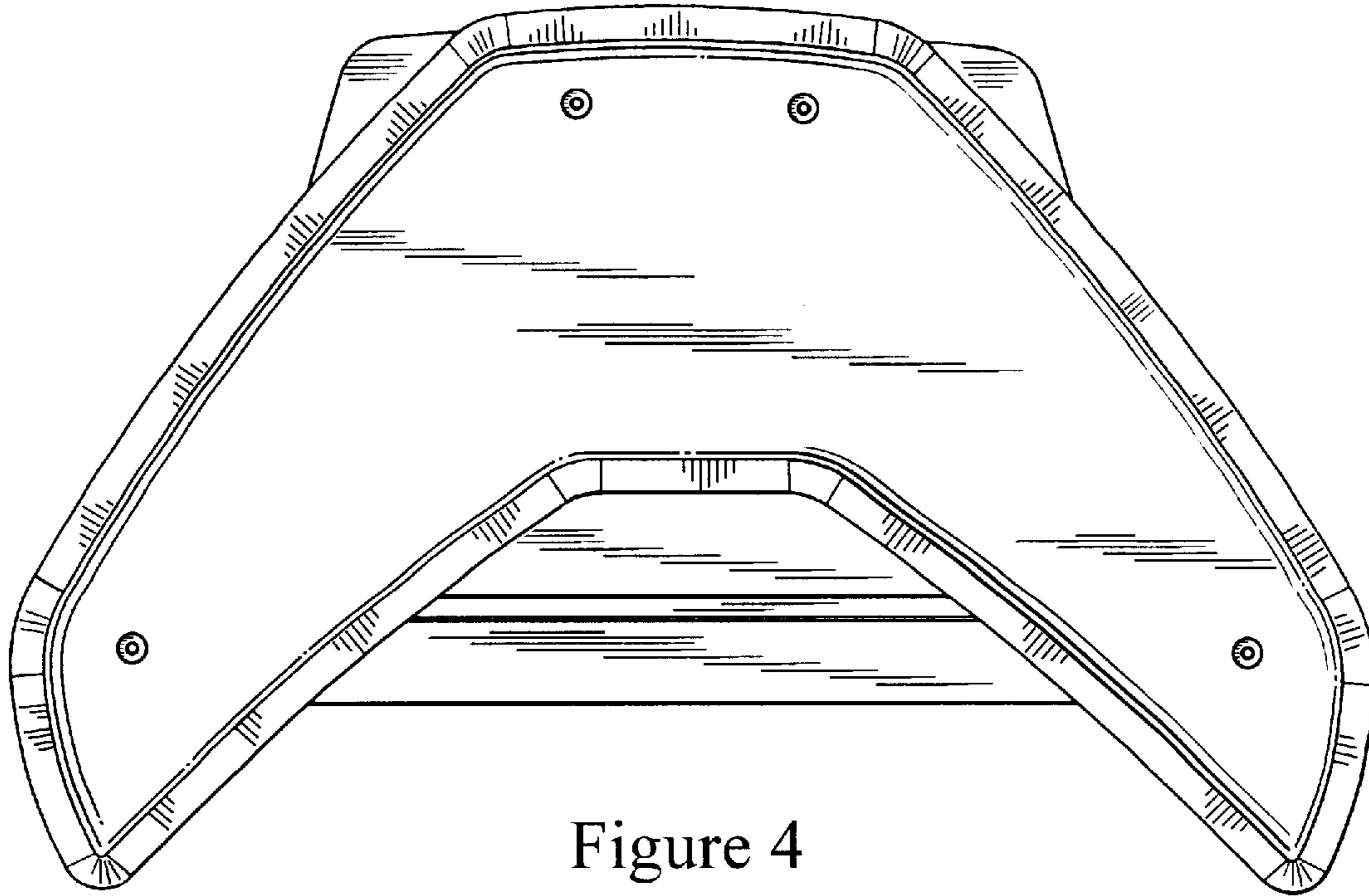


Figure 4

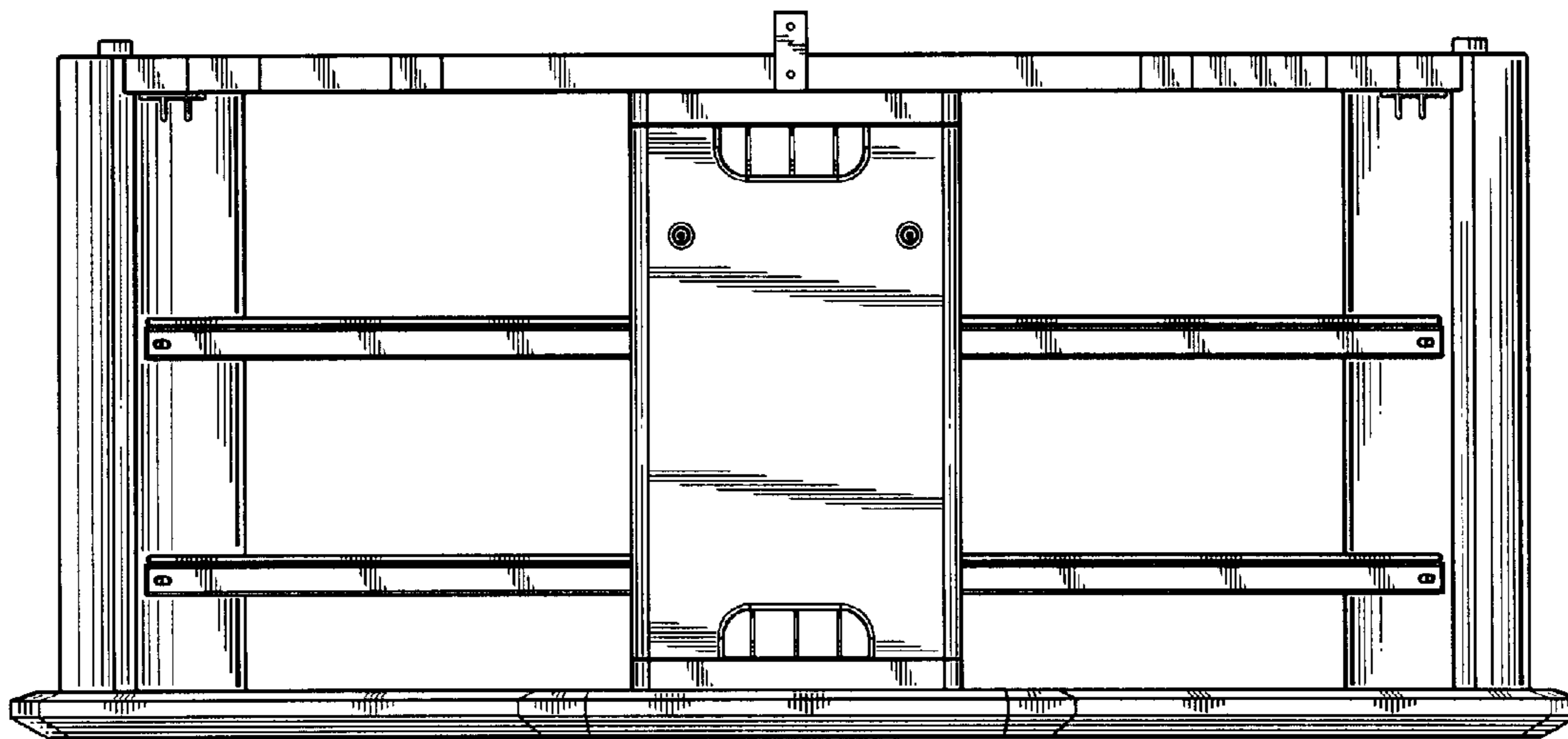


Figure 5

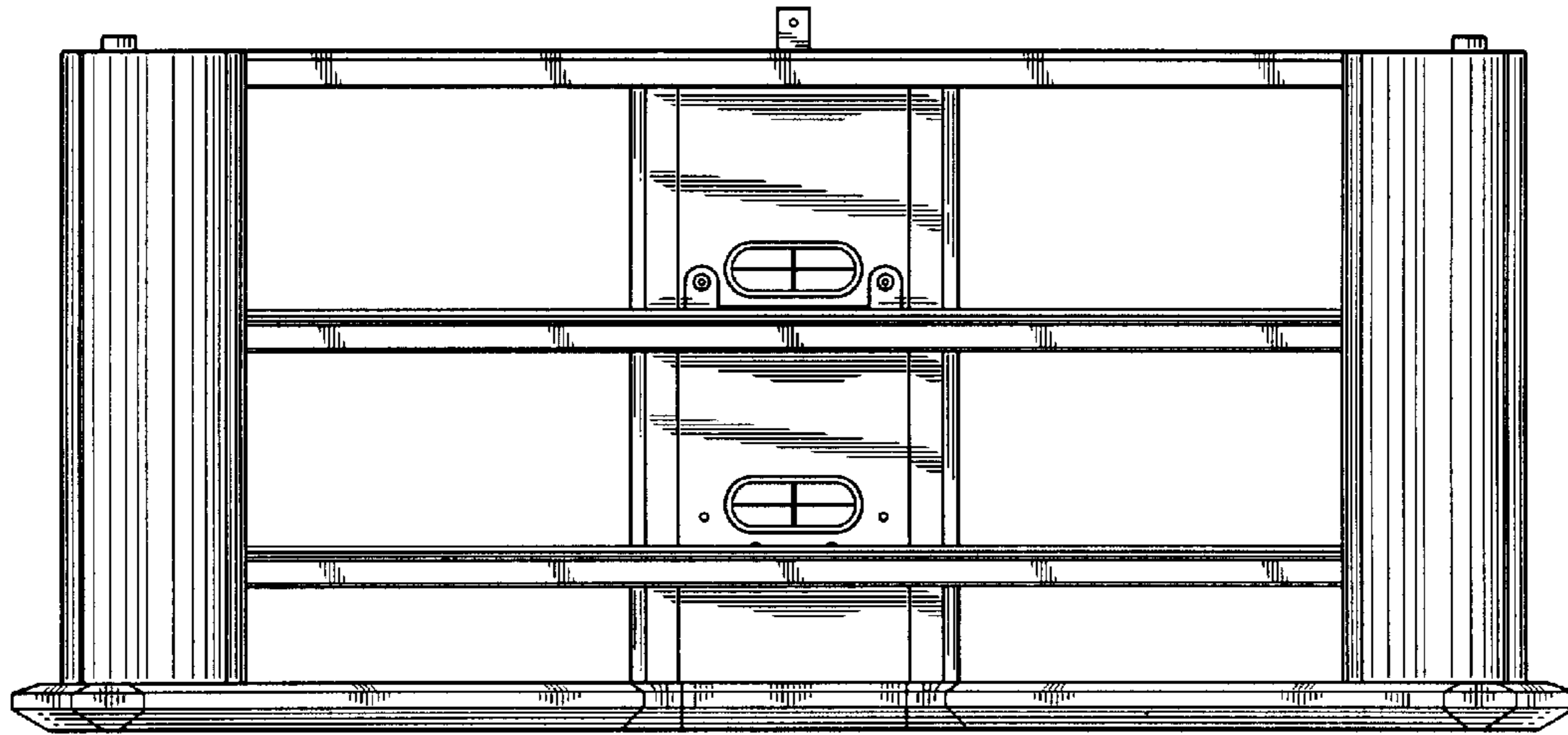


Figure 6

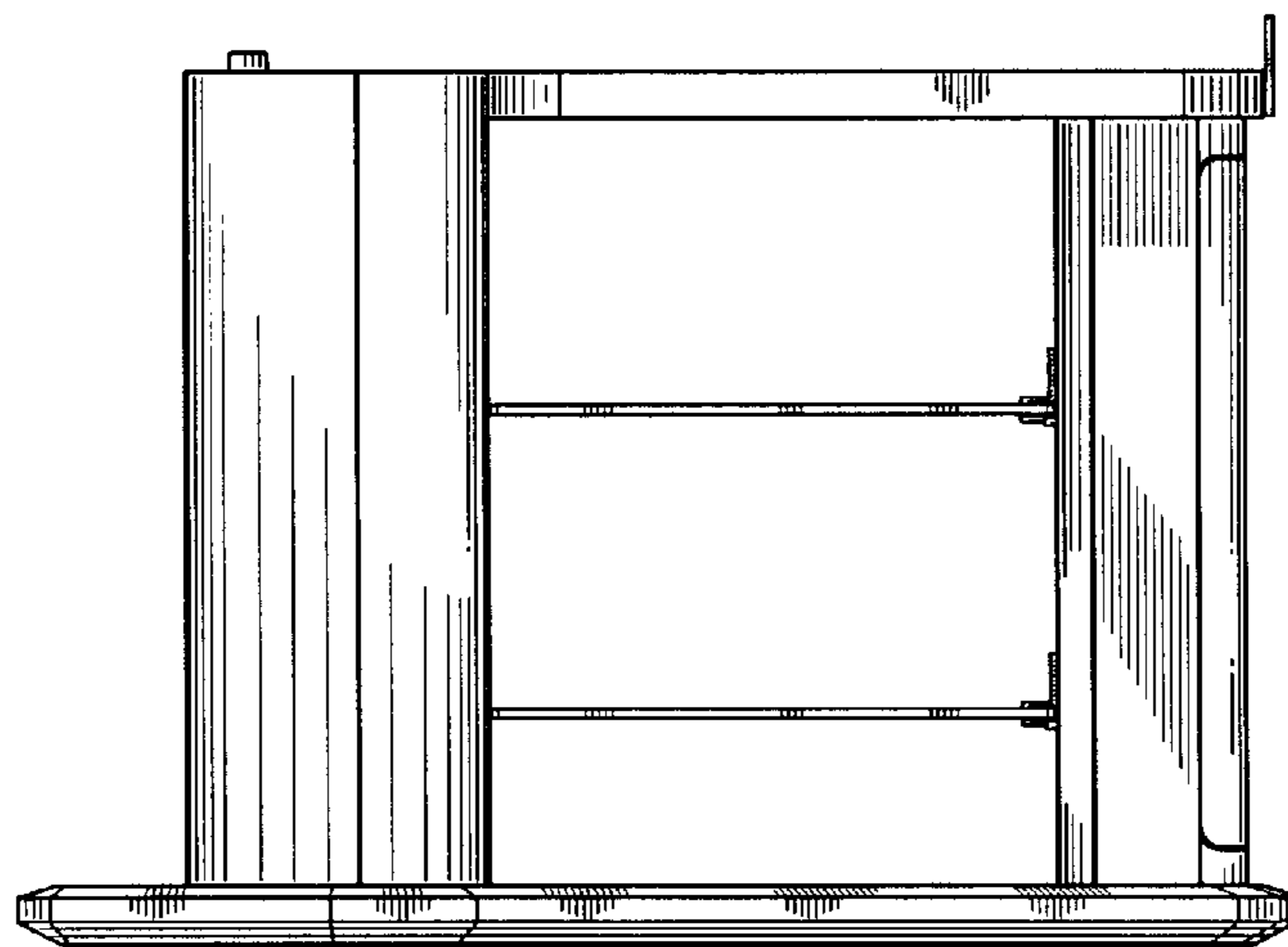


Figure 7