



US00D525048S

(12) **United States Design Patent**
Mohundro

(10) **Patent No.:** **US D525,048 S**
(45) **Date of Patent:** **** Jul. 18, 2006**

(54) **DRESSER**

(76) Inventor: **James Glenn Mohundro**, 3F-4 No.
161, Kung-I Road, Taichung City (TW)

(**) Term: **14 Years**

(21) Appl. No.: **29/218,807**

(22) Filed: **Dec. 8, 2004**

(51) **LOC (8) Cl.** **06-04**

(52) **U.S. Cl.** **D6/446**

(58) **Field of Classification Search** D6/436-439,
D6/441, 444-448; 312/114, 204, 224, 278-279
See application file for complete search history.

(56) **References Cited**

U.S. PATENT DOCUMENTS

D272,698 S	*	2/1984	Aulbert et al.	D6/448
D374,783 S	*	10/1996	Keller et al.	D6/444
D405,984 S	*	2/1999	Zaidman	D6/445
D406,202 S	*	3/1999	Zaidman	D6/439
D412,413 S	*	8/1999	Keller et al.	D6/445
D433,845 S	*	11/2000	Wilson et al.	D6/446
D480,897 S	*	10/2003	Wanek et al.	D6/446
D499,902 S	*	12/2004	Mohundro	D6/446

OTHER PUBLICATIONS

Furniture Today, white Catalina mirror dresser, insert, Apr. 22, 1996.*

Ethan Allen Collections, Country Crossings double dresser, p. 101, 2002.*

* cited by examiner

Primary Examiner—Cathron C. Brooks

(57) **CLAIM**

The ornamental design for a dresser, as shown and described.

DESCRIPTION

FIG. 1 is a front top perspective view of a dresser, showing my new design;

FIG. 2 is a front elevational view thereof;

FIG. 3 is a rear elevational view thereof;

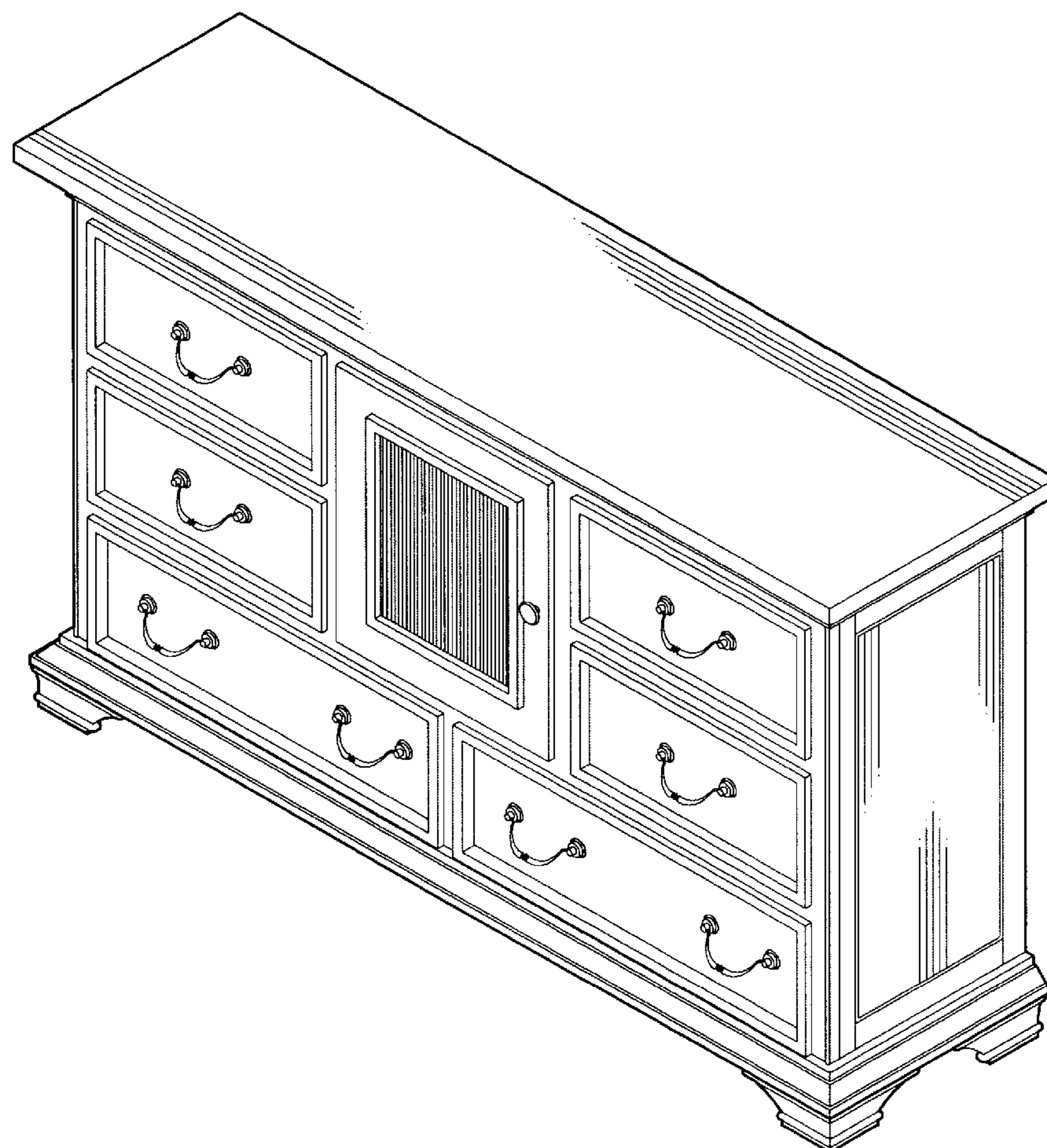
FIG. 4 is a left elevational view thereof;

FIG. 5 is a right elevational view thereof;

FIG. 6 is a top plan view thereof; and,

FIG. 7 is a bottom plan view thereof.

1 Claim, 5 Drawing Sheets



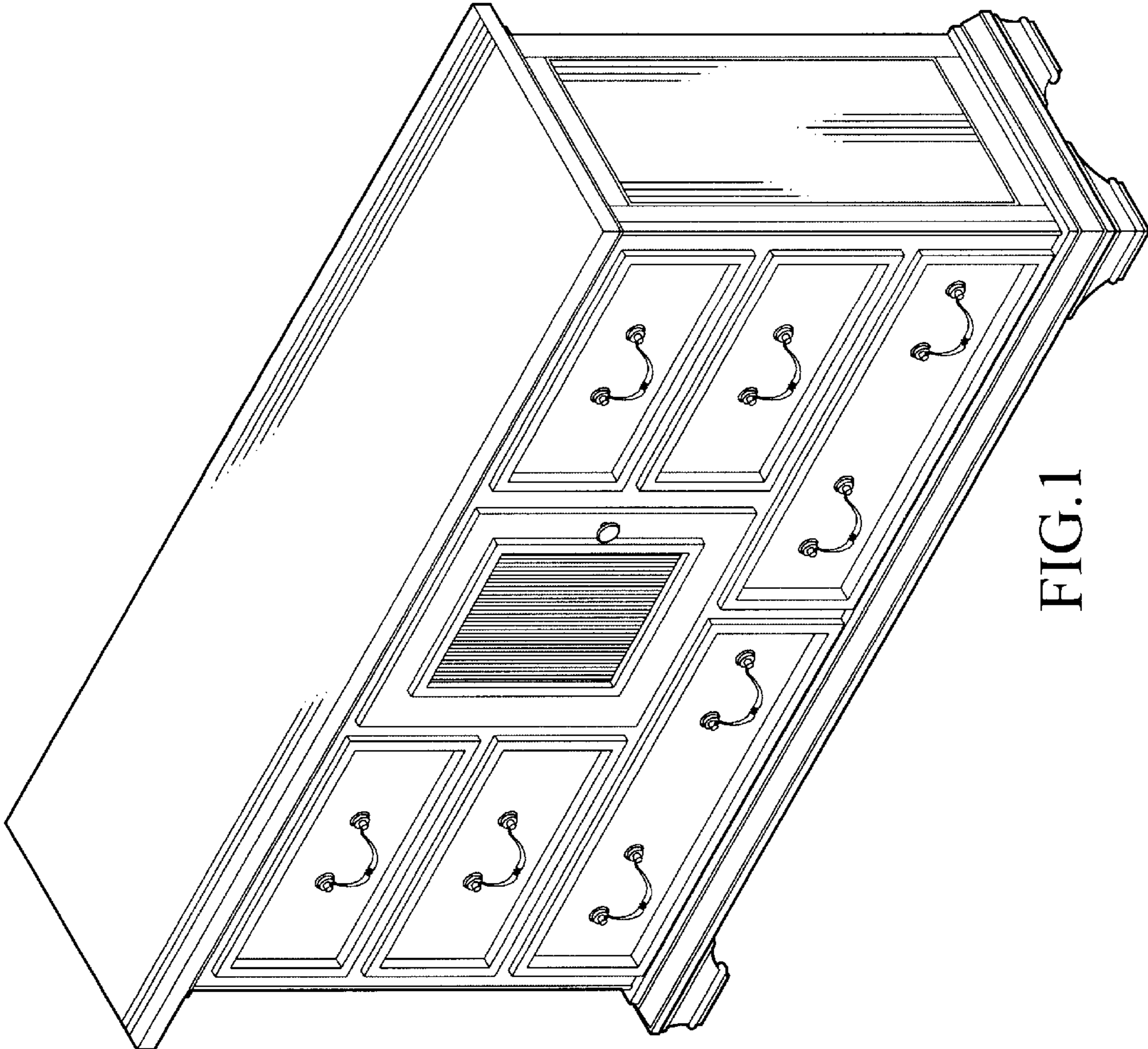


FIG.1

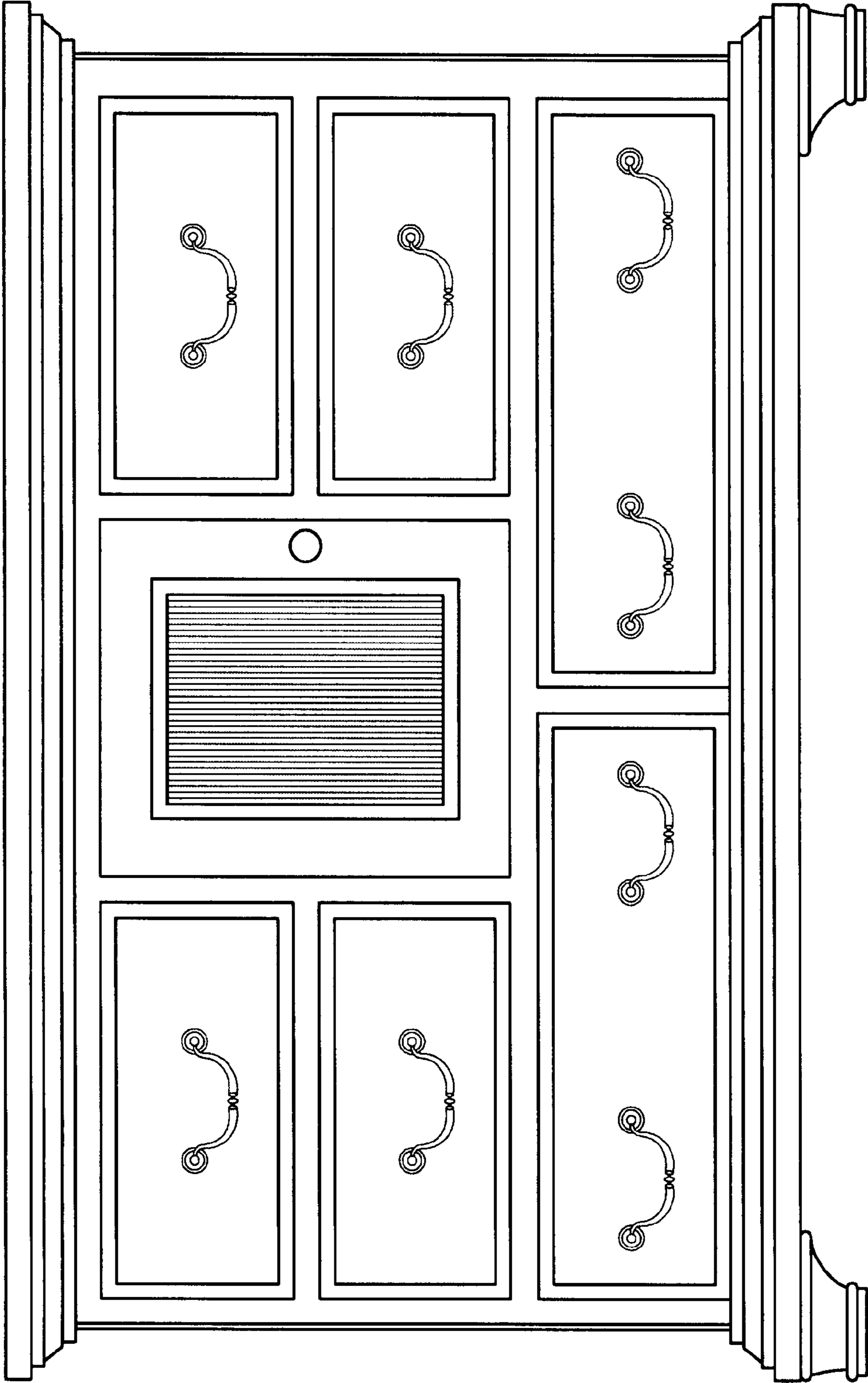


FIG.2

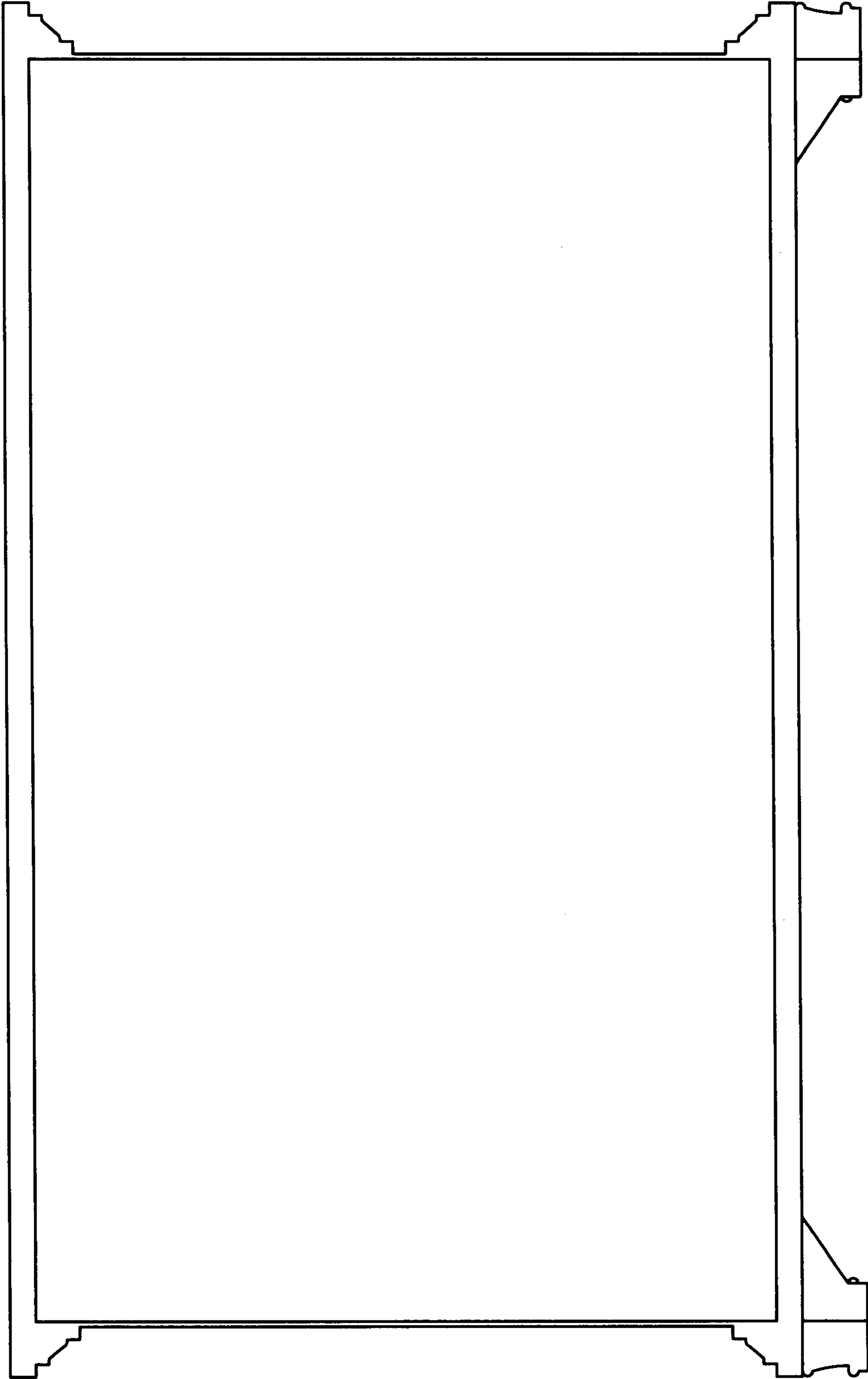


FIG. 3

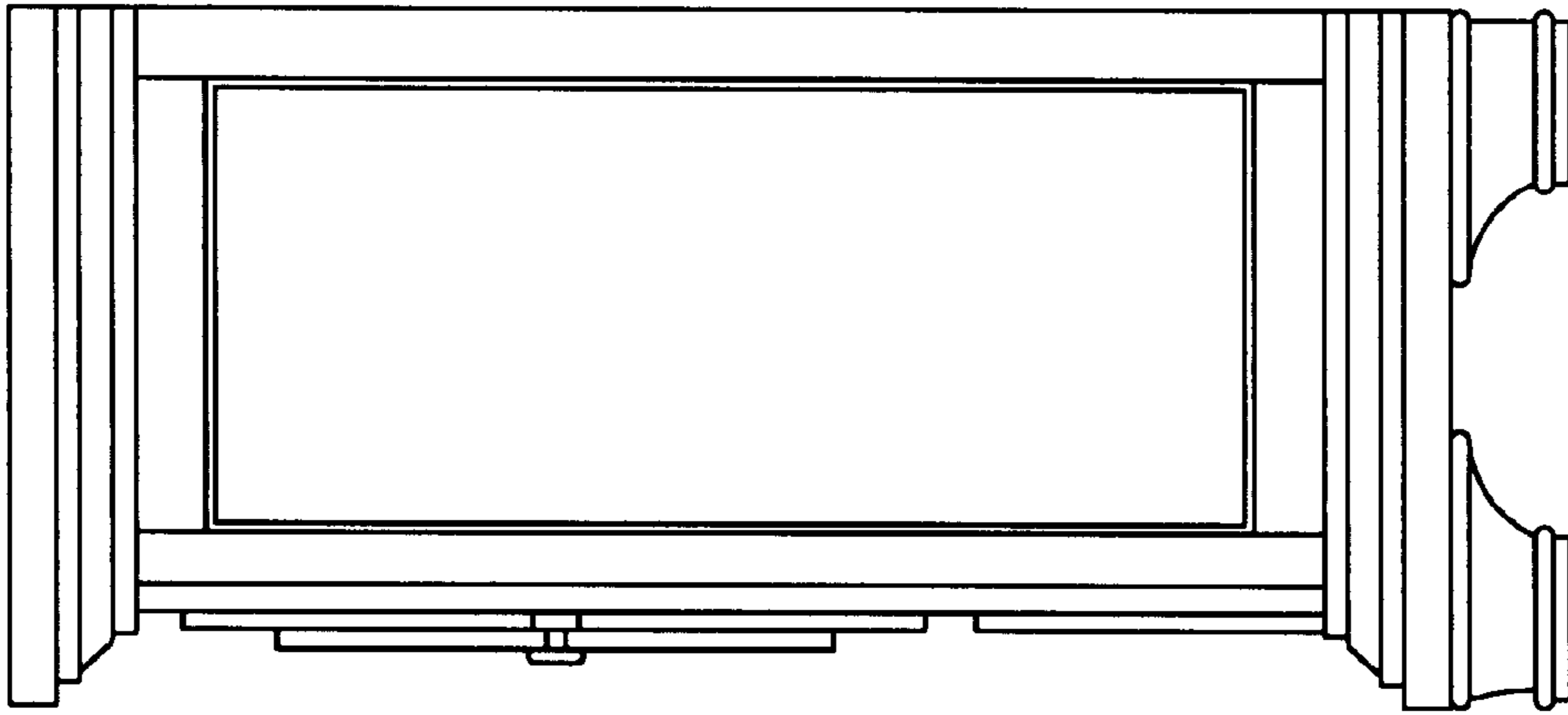


FIG.5

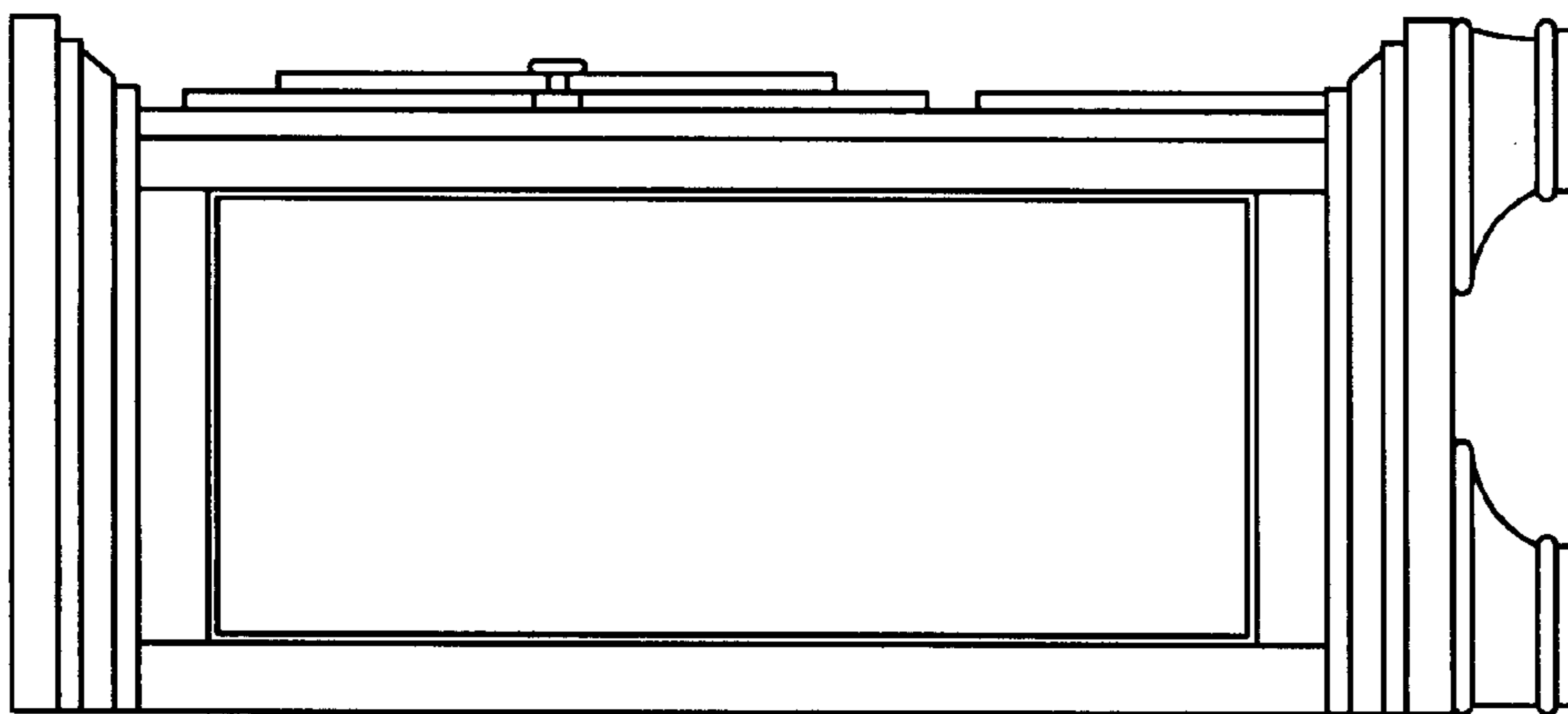


FIG.4

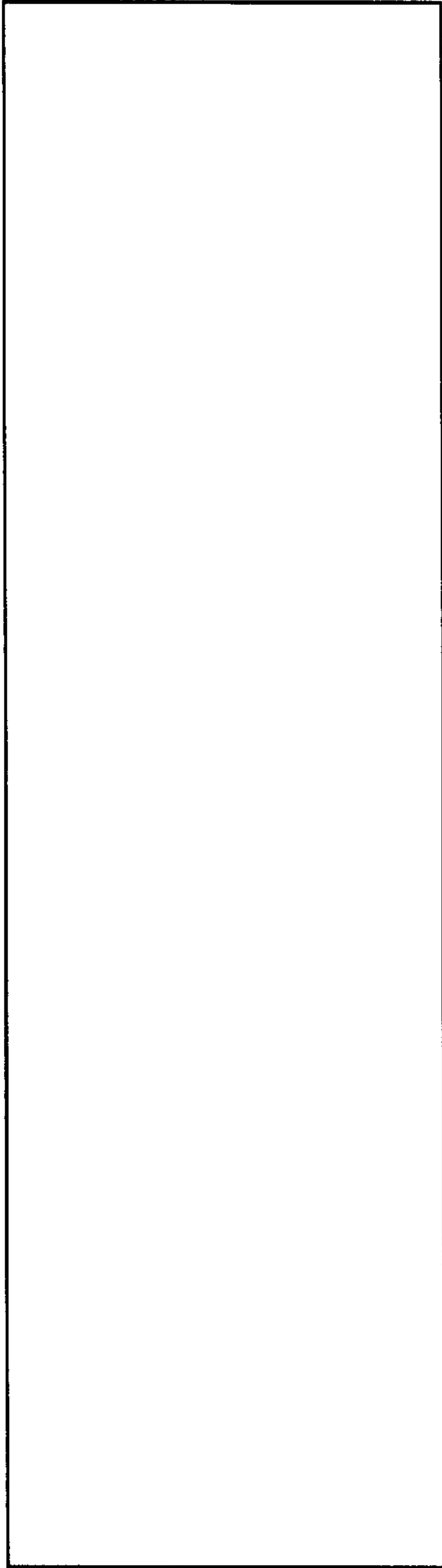


FIG. 6

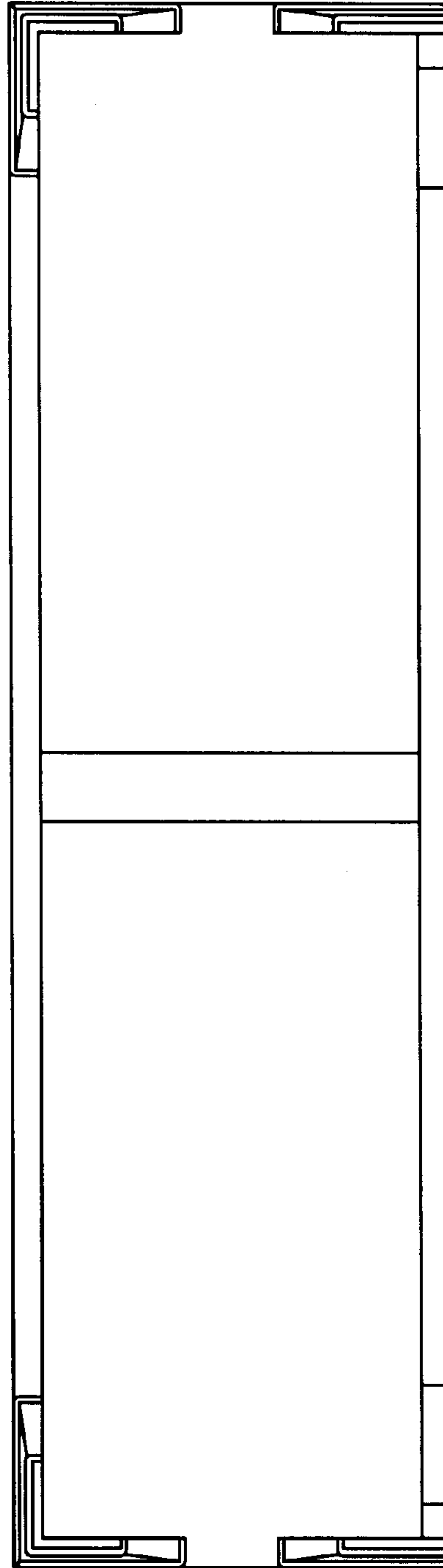


FIG. 7