



US00D525047S

(12) **United States Design Patent**  
**Linder**

(10) **Patent No.:** **US D525,047 S**

(45) **Date of Patent:** **\*\* Jul. 18, 2006**

(54) **COMPACT WINE HOLDER**

(75) Inventor: **Nathan W. Linder**, West Covina, CA (US)

(73) Assignee: **Innovative Displayworks, Inc.**, West Covina, CA (US)

(\*\*) Term: **14 Years**

(21) Appl. No.: **29/225,983**

(22) Filed: **Mar. 23, 2005**

(51) **LOC (8) Cl.** ..... **06-04**

(52) **U.S. Cl.** ..... **D6/432; D6/440**

(58) **Field of Classification Search** ..... D6/436,  
D6/460, 461, 468, 474, 477-479; D3/272,  
D3/273, 294; 312/194, 198, 204

See application file for complete search history.

(56) **References Cited**

U.S. PATENT DOCUMENTS

583,652 A	6/1897	Mulligan	
D71,406 S	* 11/1926	Purchas	D3/294
4,164,851 A	8/1979	Bryant	
4,531,381 A	7/1985	Toro et al.	
4,671,070 A	6/1987	Rudick	
4,866,945 A	9/1989	Bender et al.	
4,913,713 A	4/1990	Bender et al.	
D307,985 S	* 5/1990	Hoff	D6/440
D328,676 S	* 8/1992	Miller	D6/440
D361,220 S	* 8/1995	Cacciola	D6/440
D402,134 S	* 12/1998	Schrader	D6/440
D403,176 S	* 12/1998	Harper	D6/440
D426,724 S	* 6/2000	Stangl	D6/440
D430,753 S	* 9/2000	Stangl	D6/440
6,269,653 B1	8/2001	Katusa	
D467,731 S	* 12/2002	Pratt	D3/294

D475,068 S	5/2003	Wang	
6,658,859 B1	12/2003	Phelps et al.	
6,672,092 B1	1/2004	Ruiz et al.	
D493,181 S	7/2004	Kehoe	
D505,766 S	* 6/2005	Matthews	D3/270

OTHER PUBLICATIONS

Website printout: [www.compactappliance.com](http://www.compactappliance.com); "Max Fridge 7 Bottle Portable Wine and Beverage Cooler with LED Display"; 2 pages; May 9, 2005.

Website printout: [www.beveragefactory.com](http://www.beveragefactory.com); "Vinotemp VT6V 6 Bottle Vertical Countertop Wine Cellar"; 3 pages; May 9, 2005.

Website printout: [www.beveragefactory.com](http://www.beveragefactory.com); "Vinotemp VT6H 6 Bottle Horizontal Countertop Wine Cellar"; 3 pages; May 9, 2005.

\* cited by examiner

*Primary Examiner*—Cathron C. Brooks

(74) *Attorney, Agent, or Firm*—Stetina Brunda Garred & Brucker

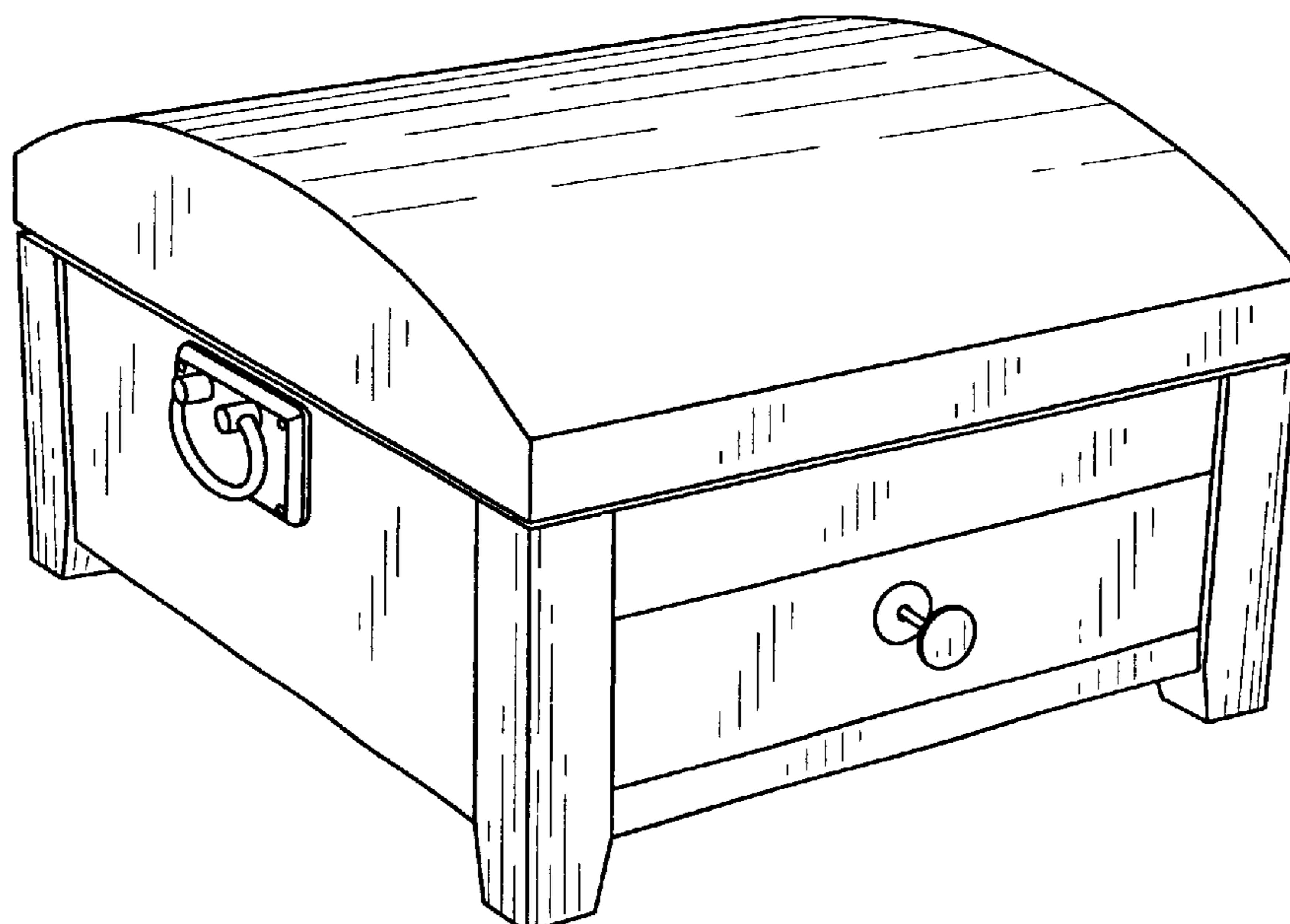
(57) **CLAIM**

The ornamental design for a compact wine holder, as shown and described.

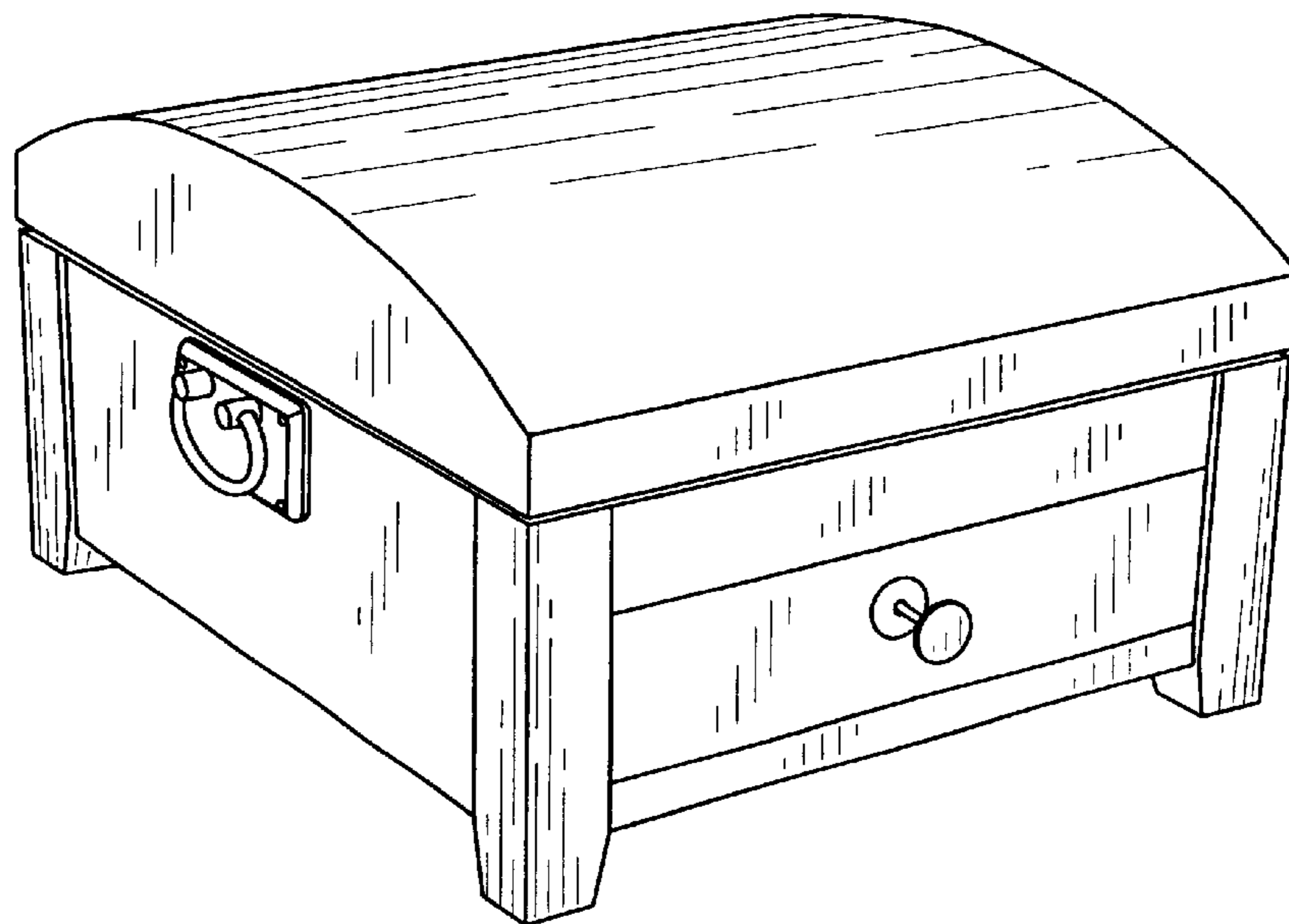
**DESCRIPTION**

FIG. 1 is a perspective view of a compact wine holder showing my new design;  
FIG. 2 is a top view thereof;  
FIG. 3 is a frontal view thereof;  
FIG. 4 is a left side view thereof, the right side being a mirror image;  
FIG. 5 is a rear view thereof; and,  
FIG. 6 is a bottom view thereof.

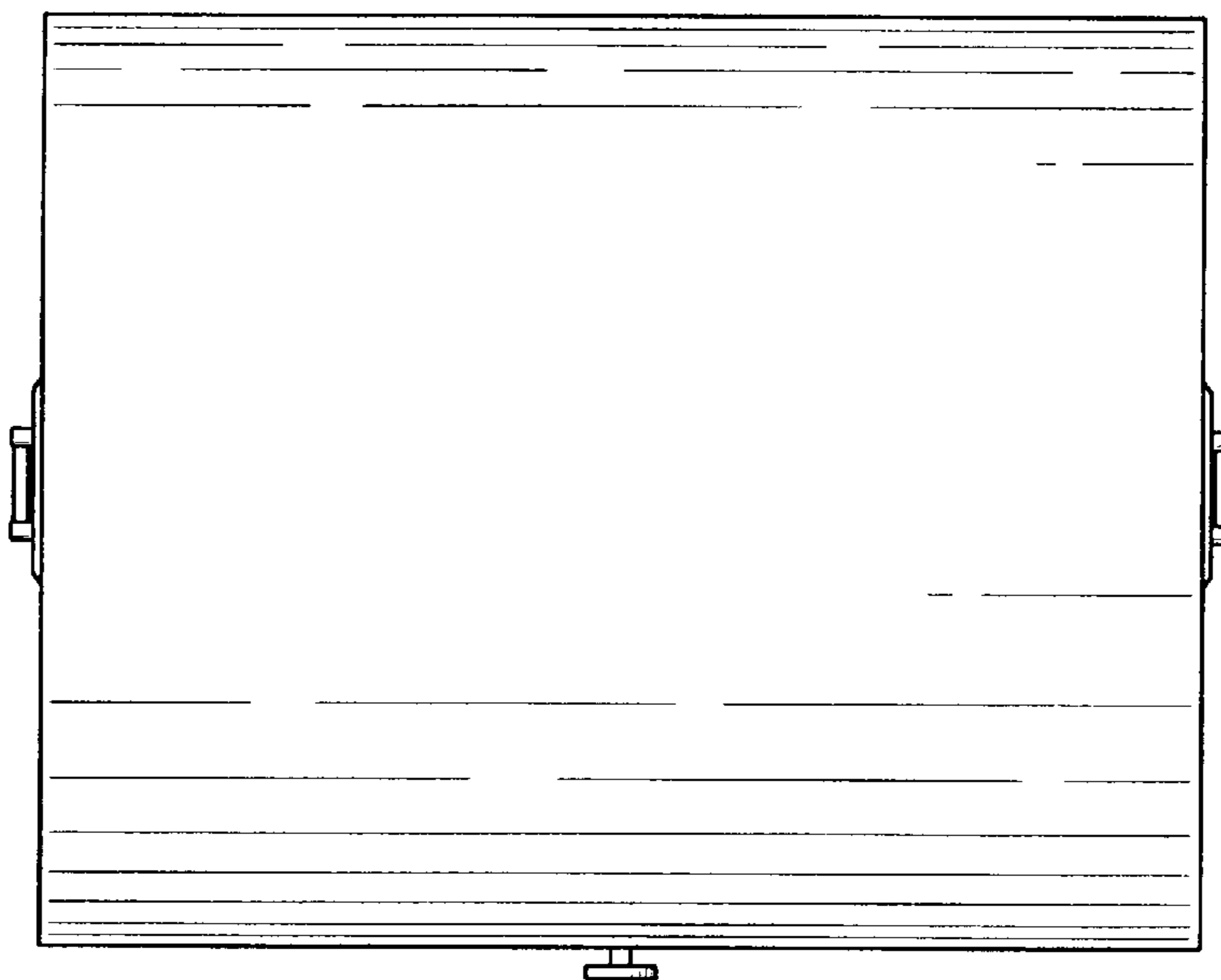
**1 Claim, 2 Drawing Sheets**



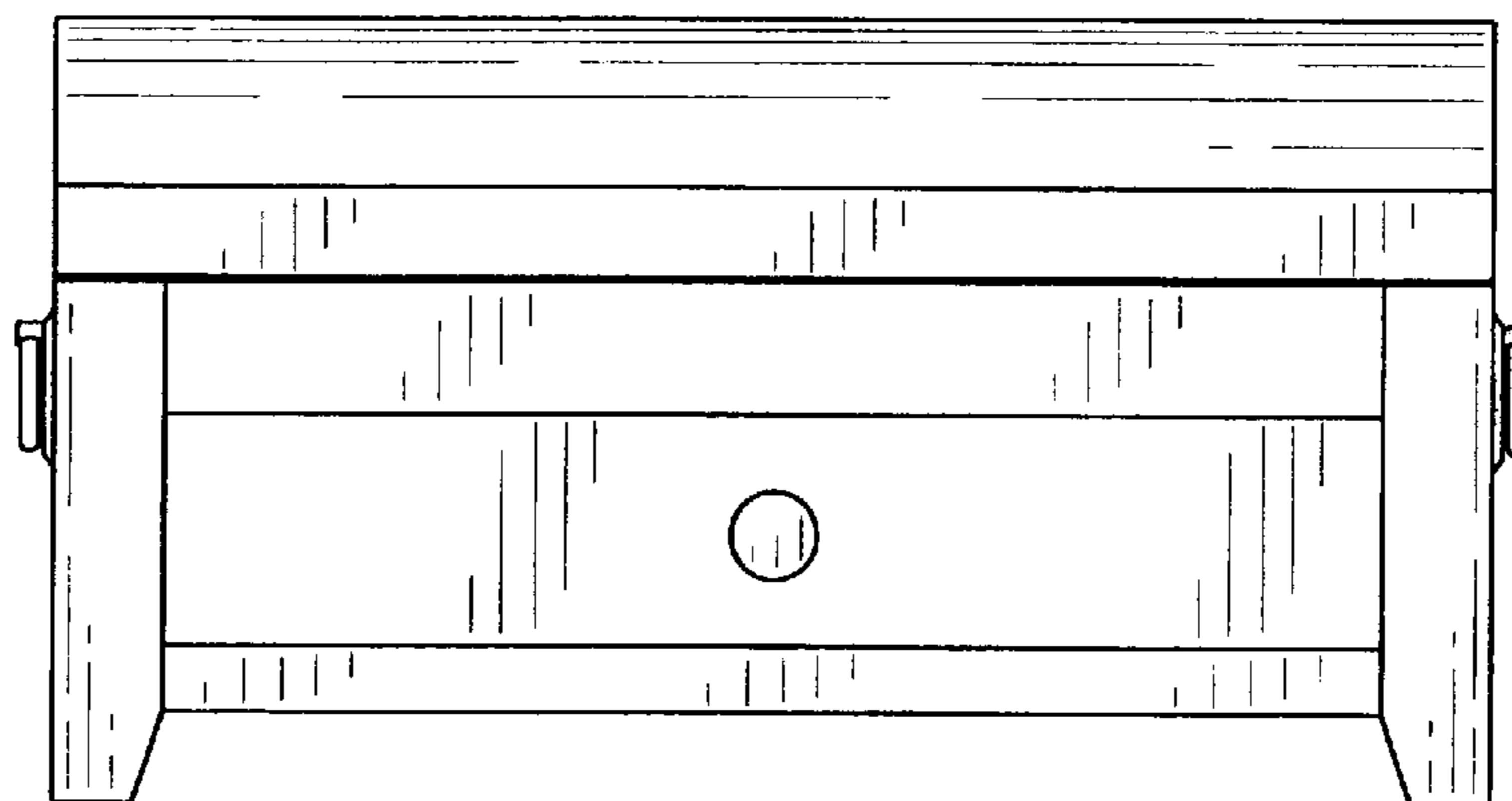
*Fig. 1*



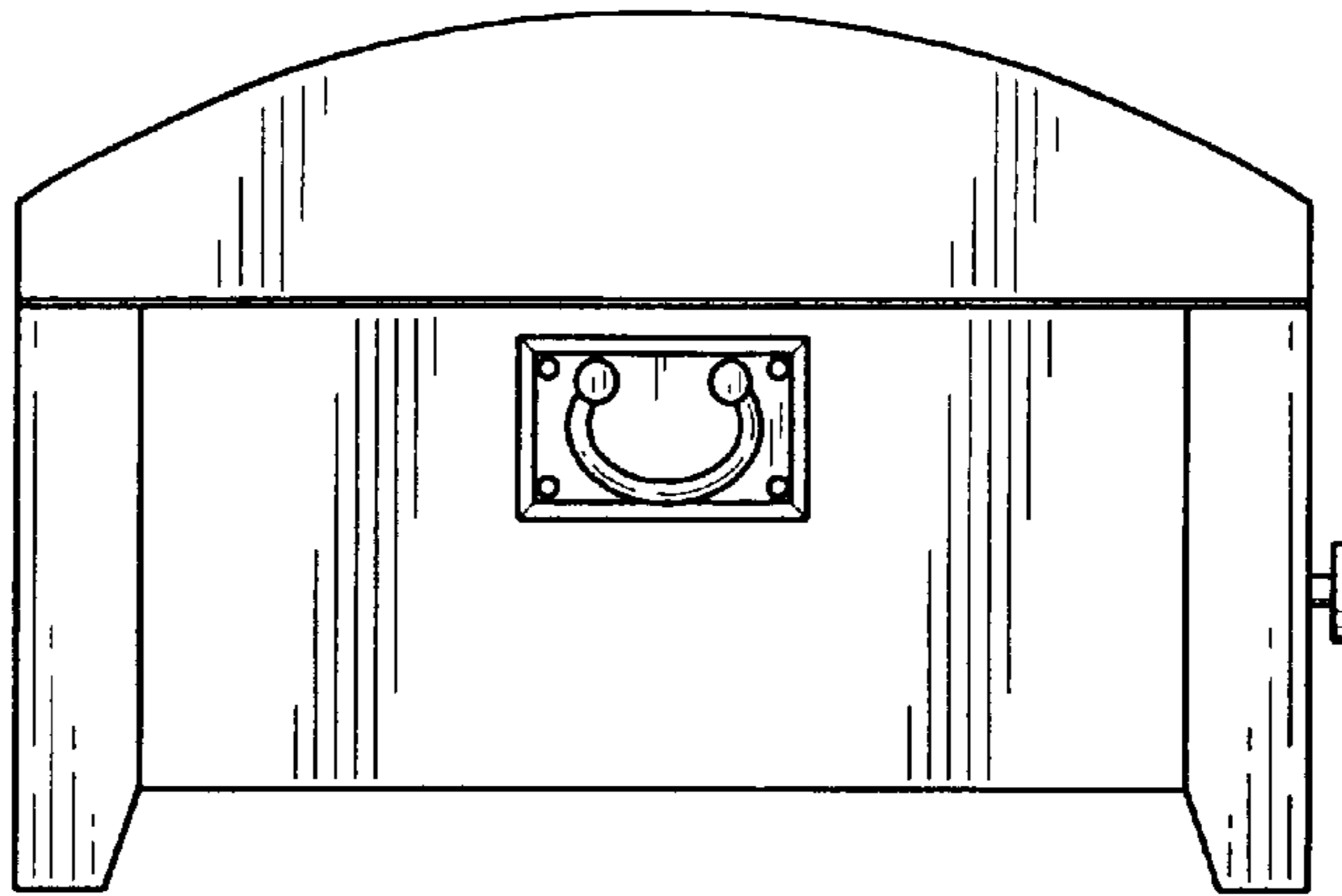
*Fig. 2*



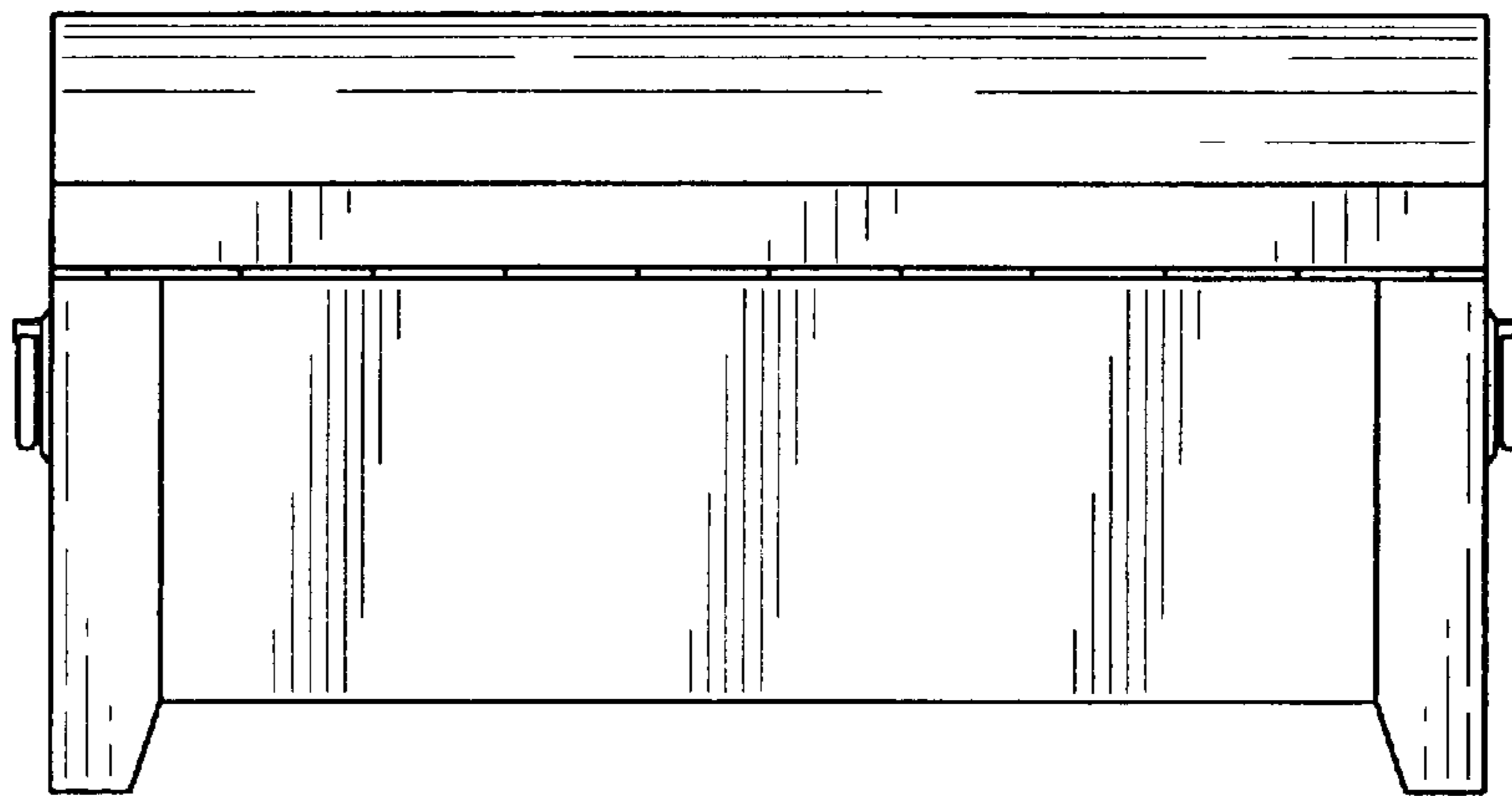
*Fig. 3*



*Fig. 4*



*Fig. 5*



*Fig. 6*

