



US00D525046S

(12) **United States Design Patent**
Mohundro

(10) **Patent No.:** **US D525,046 S**

(45) **Date of Patent:** **** Jul. 18, 2006**

(54) **BED**

D480,889 S * 10/2003 Risdon et al. D6/393
D503,860 S * 4/2005 Peterson et al. D6/393

(76) Inventor: **James Glenn Mohundro**, 3F-4, No.
161, Kung-I Road, Taichung City (TW)

OTHER PUBLICATIONS

(**) Term: **14 Years**

Thomasville, Country Inn and Back Roads, p. 2, Nov. 1994,
sleigh bed at bottom.*

(21) Appl. No.: **29/224,878**

* cited by examiner

(22) Filed: **Mar. 9, 2005**

Primary Examiner—Janice E. Seeger

(51) **LOC (8) Cl.** **06-01**

(57) **CLAIM**

(52) **U.S. Cl.** **D6/393**

The ornamental design for a bed, as shown and described.

(58) **Field of Classification Search** D6/382,

D6/389, 392–395, 505–508; 5/53.1, 907,

5/279.1, 280, 281, 310

DESCRIPTION

See application file for complete search history.

FIG. 1 is a perspective view of a bed, showing my new
design;

(56) **References Cited**

U.S. PATENT DOCUMENTS

D392,811 S * 3/1998 Bergelin D6/393
D399,082 S * 10/1998 Zaidman D6/505
D460,634 S * 7/2002 Kreiss D6/393
D463,156 S * 9/2002 Lenger D6/393
D466,328 S * 12/2002 Risdon D6/393

FIG. 2 is a front elevational view thereof;

FIG. 3 is a rear elevational view thereof;

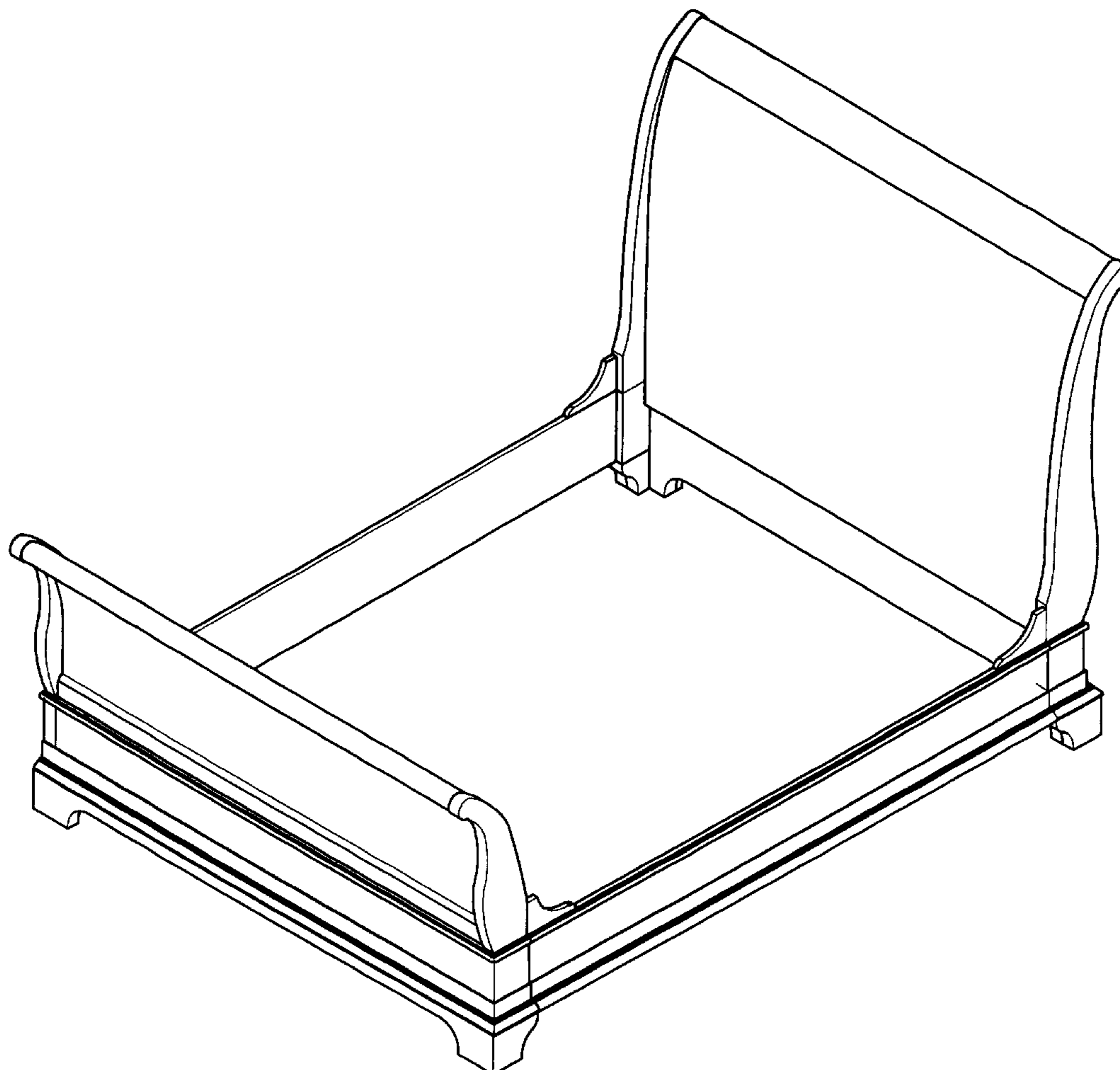
FIG. 4 is a left elevational view thereof;

FIG. 5 is a right elevational view thereof;

FIG. 6 is a top plan view thereof; and,

FIG. 7 is a bottom plan view thereof.

1 Claim, 7 Drawing Sheets



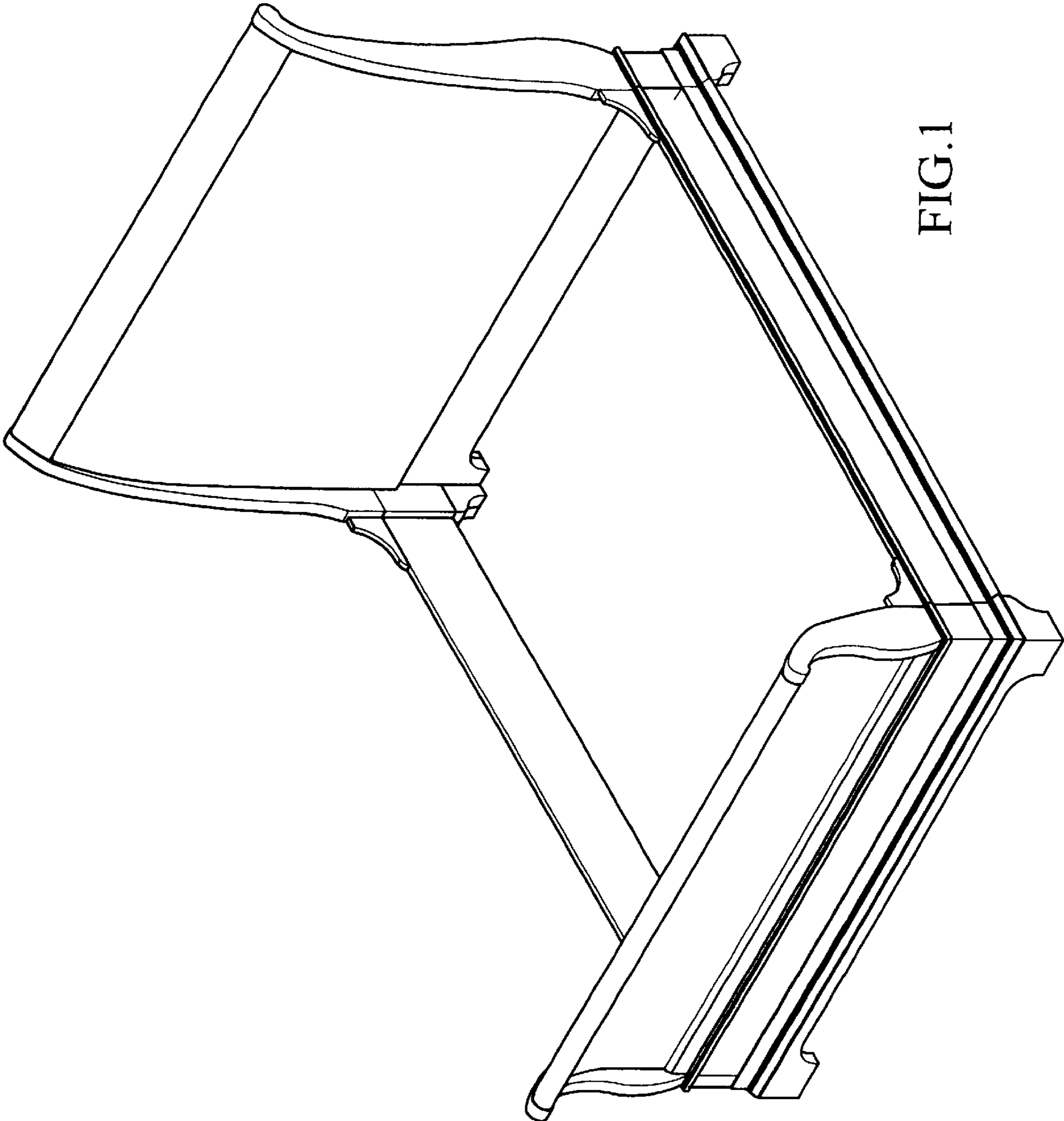


FIG. 1

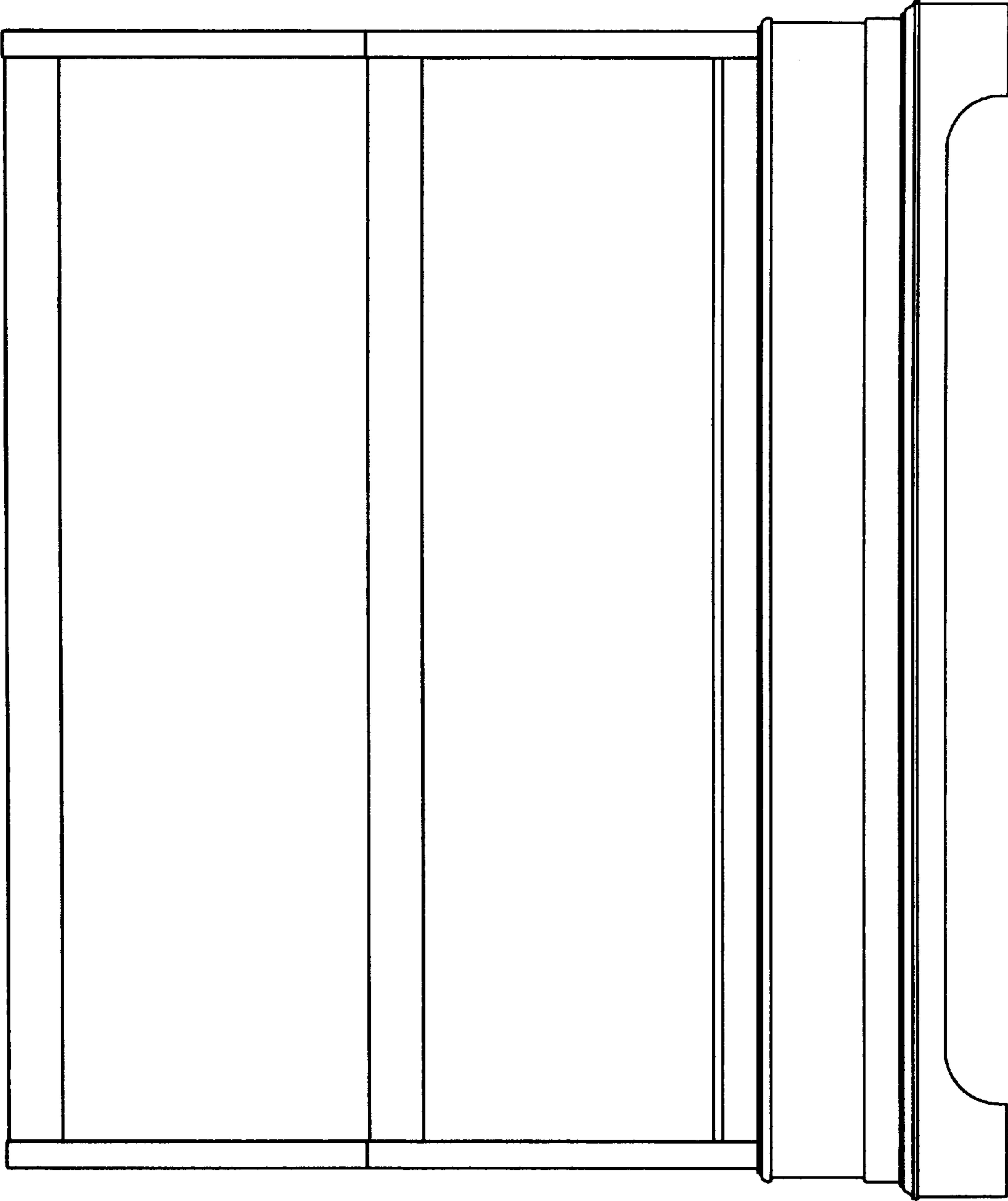


FIG.2

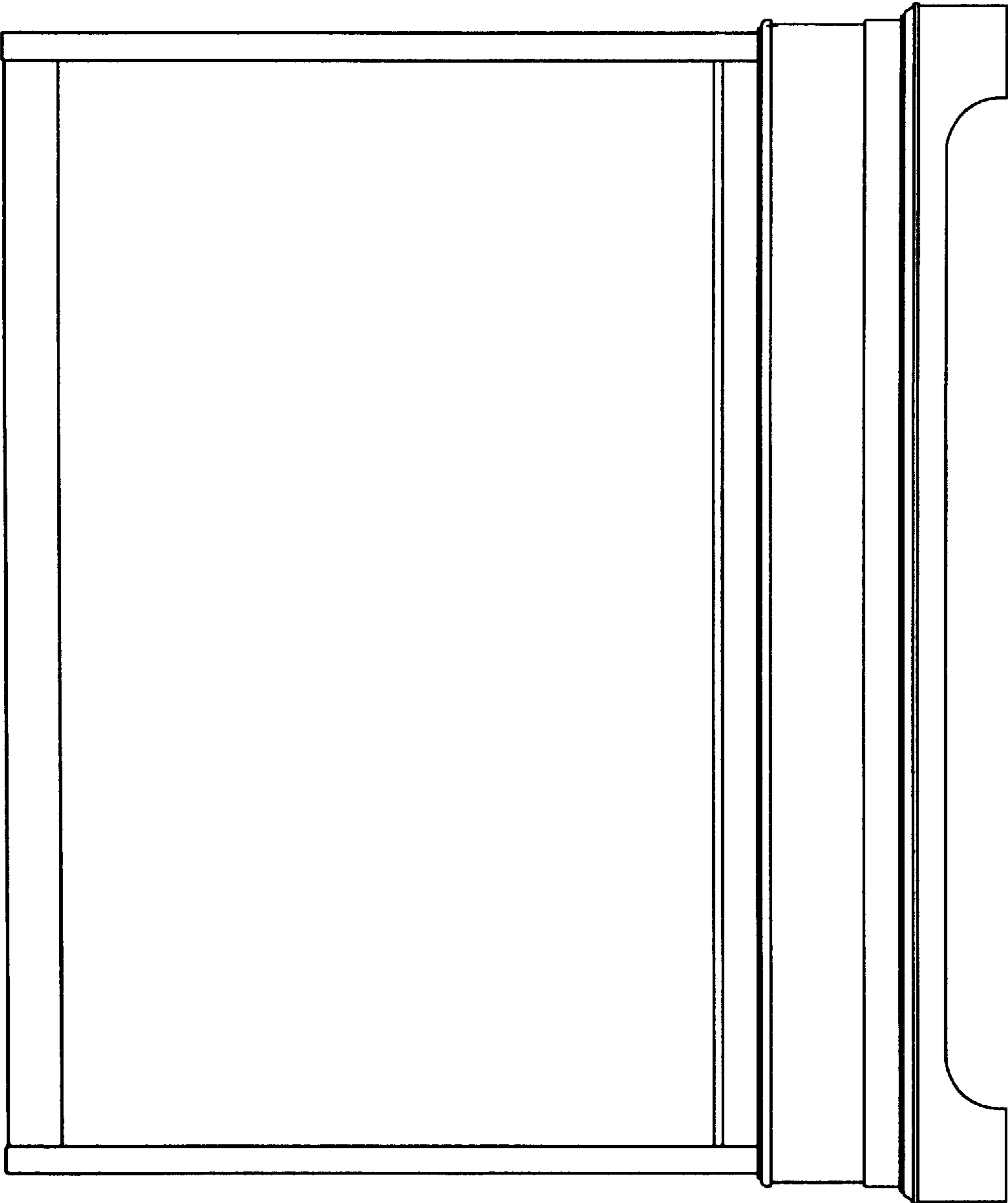


FIG.3

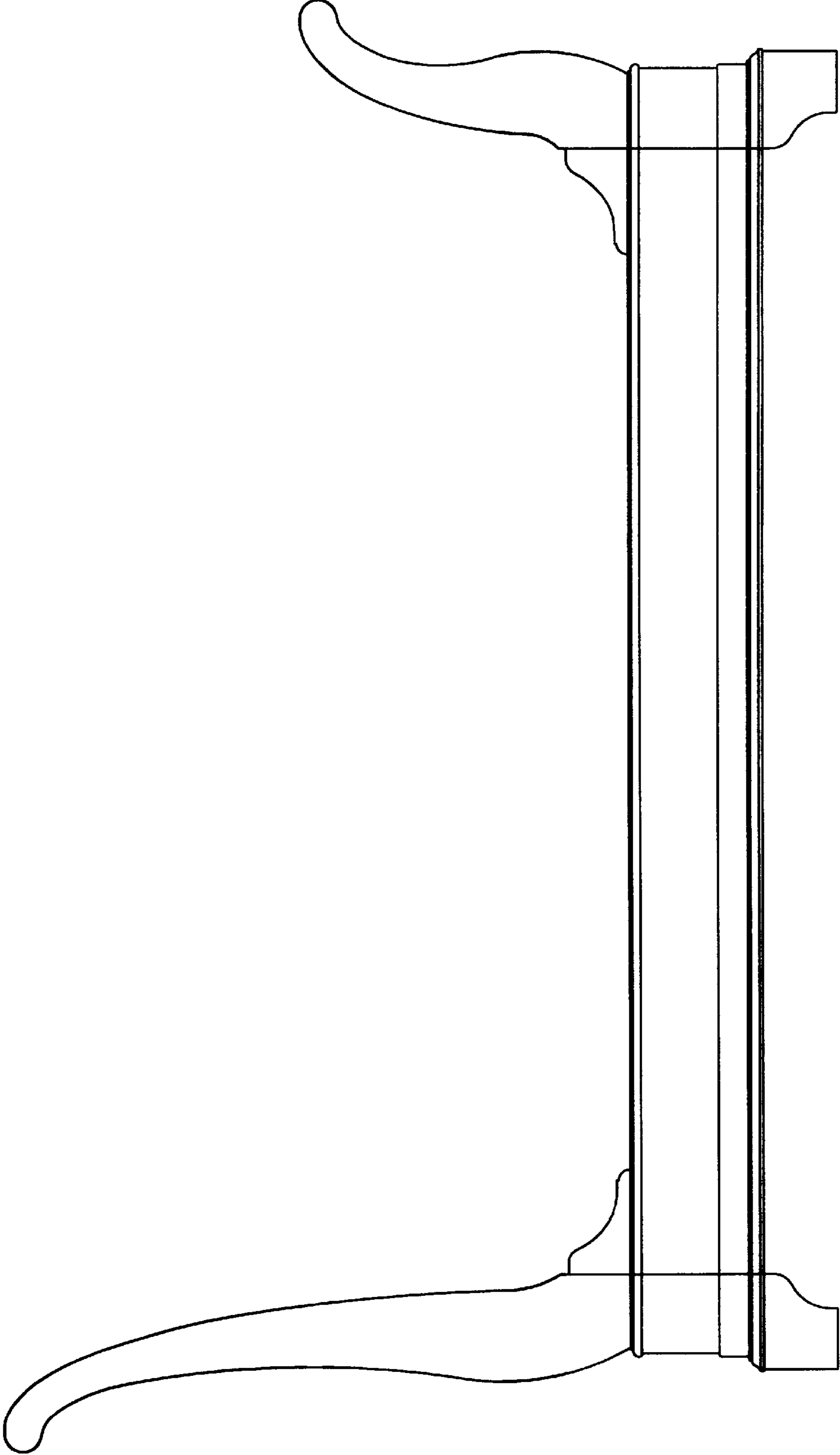


FIG.4

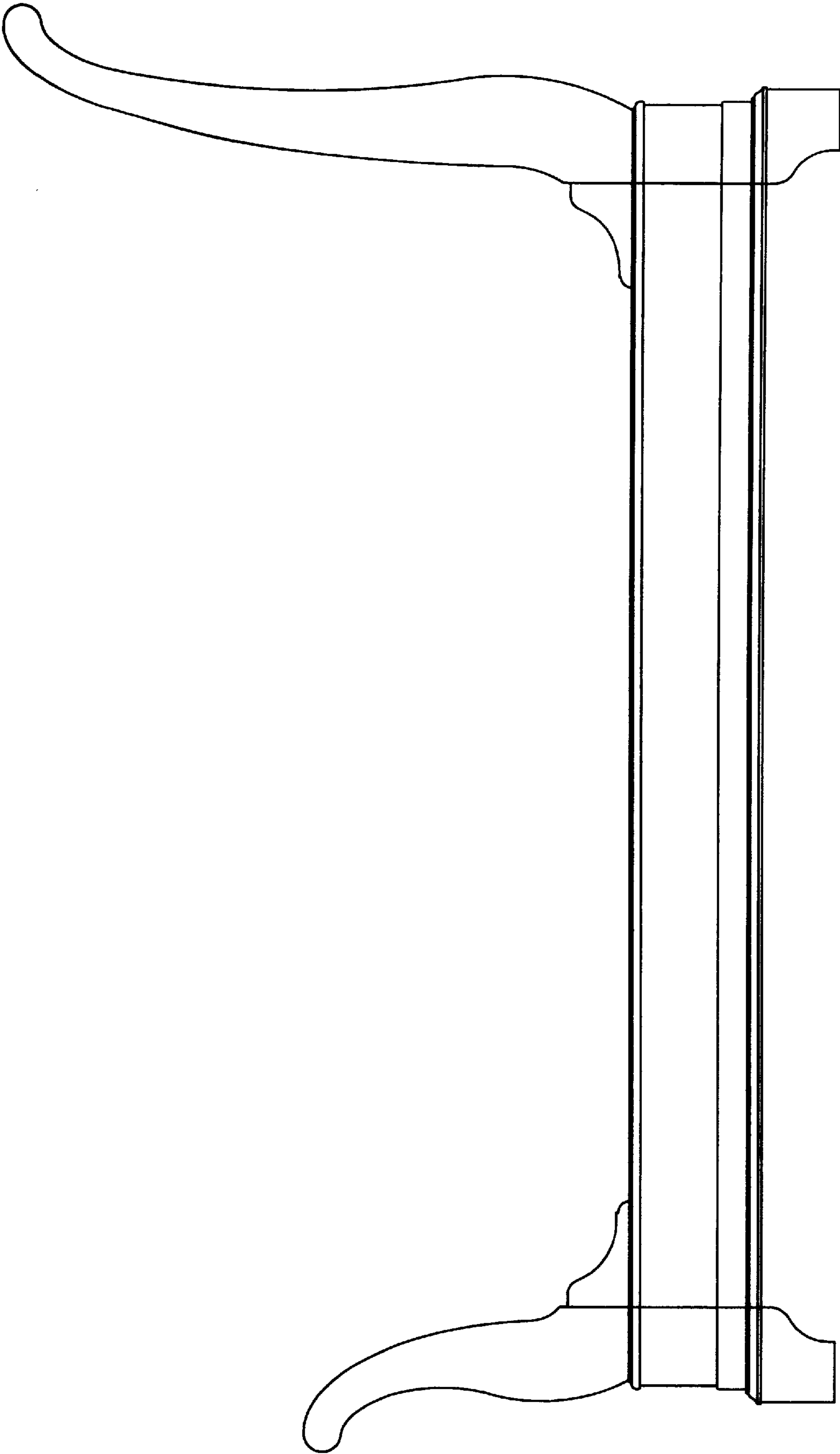


FIG. 5

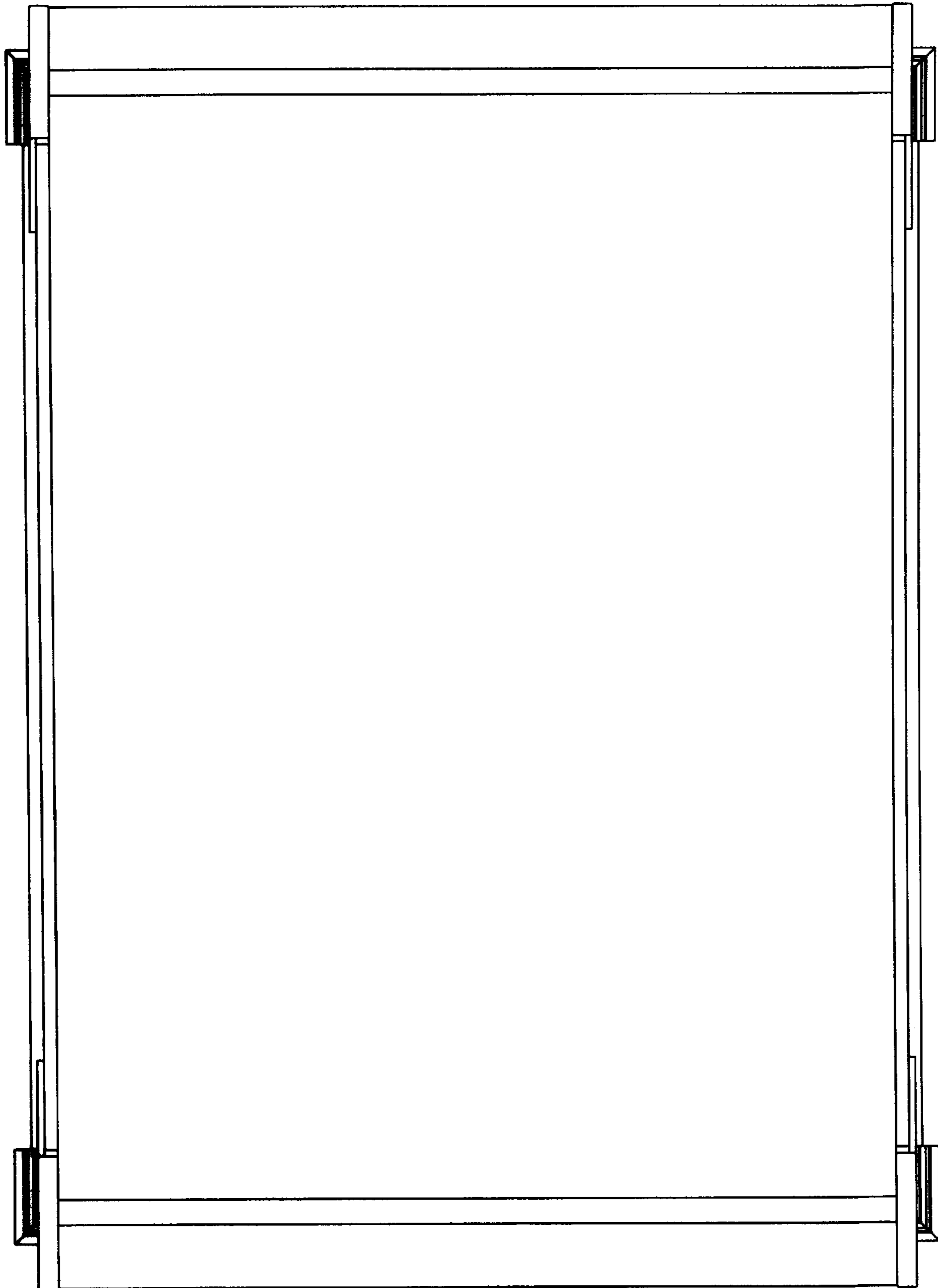


FIG.6

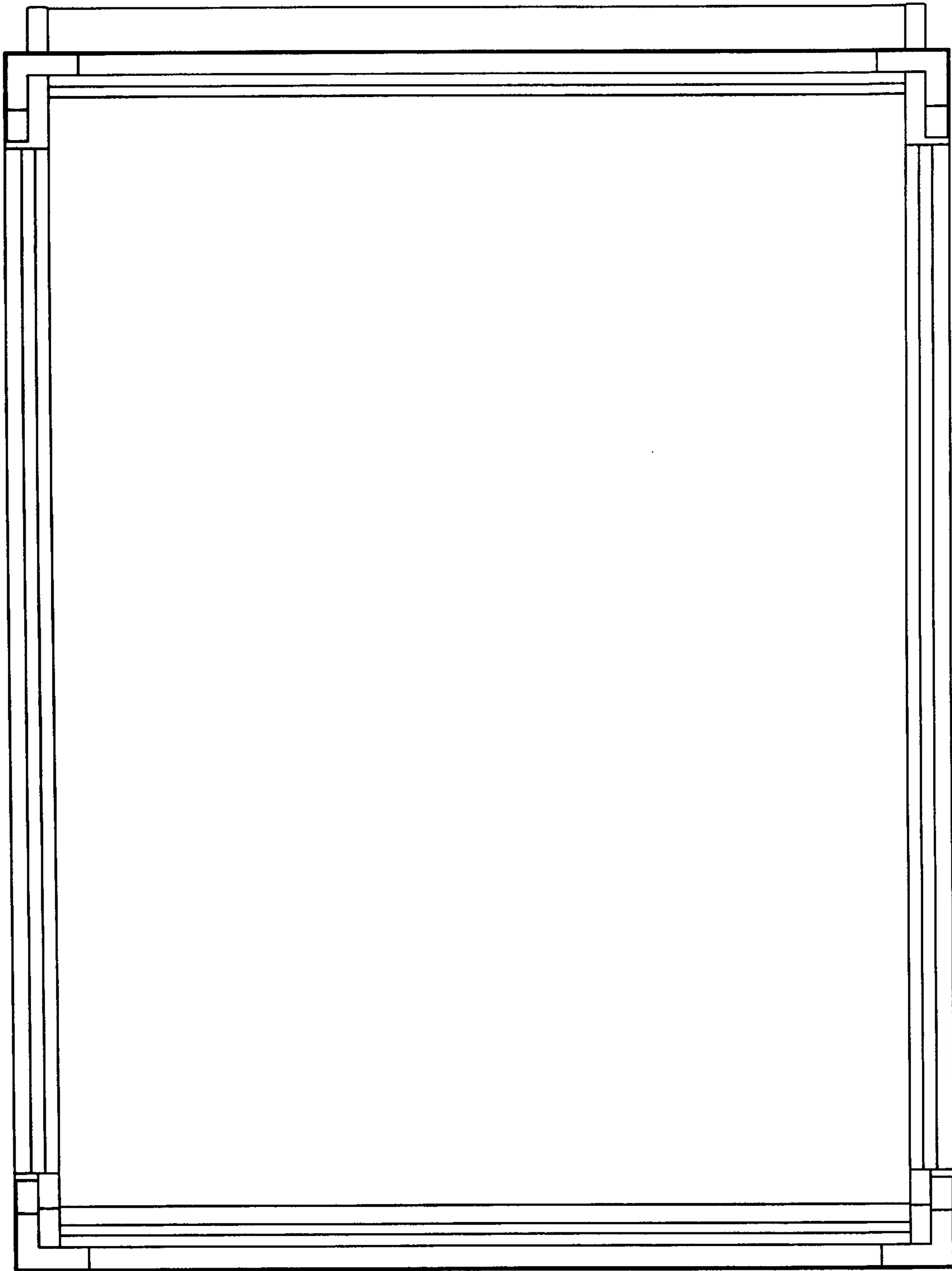


FIG.7