

US00D525034S

(12) **United States Design Patent**  
**Vosloo**

(10) **Patent No.:** **US D525,034 S**  
(45) **Date of Patent:** **\*\* Jul. 18, 2006**

(54) **FOURTEEN-WAY TOP CUFF FOR A GOLF BAG**

(75) Inventor: **Clint Vosloo**, Suwanee, GA (US)

(73) Assignee: **Mizumo Corp.**, Osaka (JP)

(\*\*) Term: **14 Years**

(21) Appl. No.: **29/236,078**

(22) Filed: **Aug. 10, 2005**

(51) **LOC (8) Cl.** ..... **03-01**

(52) **U.S. Cl.** ..... **D3/320**

(58) **Field of Classification Search** ..... D3/318,  
D3/319, 320, 328.1, 254, 255; 206/315.2,  
206/315.3, 315.4, 315.5, 315.6, 315.7, 315.8,  
206/315.11; 211/70.2; 248/96; 280/DIG. 6;  
473/287

See application file for complete search history.

(56) **References Cited**

**U.S. PATENT DOCUMENTS**

5,099,990 A \* 3/1992 Antonious ..... 206/315.6

6,076,245 A \* 6/2000 Sutter ..... 206/315.3  
6,149,000 A \* 11/2000 Kim ..... 206/315.6  
D468,098 S \* 1/2003 Lu ..... D3/255  
6,513,653 B1 \* 2/2003 Chen ..... 248/96  
D478,422 S \* 8/2003 Chen ..... D3/320

\* cited by examiner

*Primary Examiner*—Louis S. Zarfes

*Assistant Examiner*—Monica A Weingart

(74) *Attorney, Agent, or Firm*—Troutman Sanders LLP

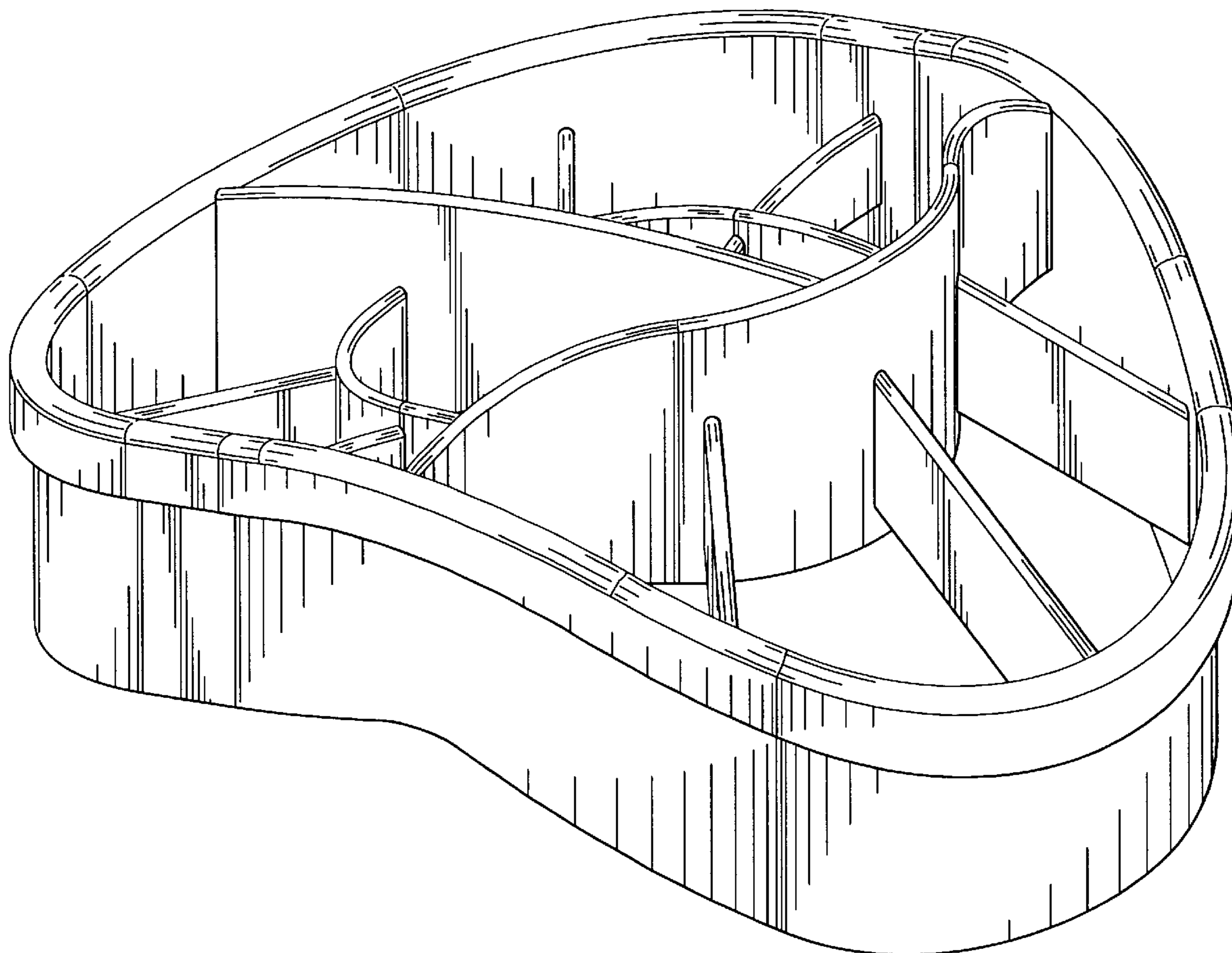
(57) **CLAIM**

The ornamental design for the fourteen-way top cuff for a golf bag, as shown and described.

**DESCRIPTION**

FIG. 1 is a perspective view of the fourteen-way top cuff for a golf bag showing my new design;  
FIG. 2 is a front elevation of the top cuff;  
FIG. 3 is a side elevation view of the top cuff;  
FIG. 4 is a back elevation view of the top cuff;  
FIG. 5 is a top view of the top cuff; and,  
FIG. 6 is a bottom view of the top cuff.

**1 Claim, 6 Drawing Sheets**



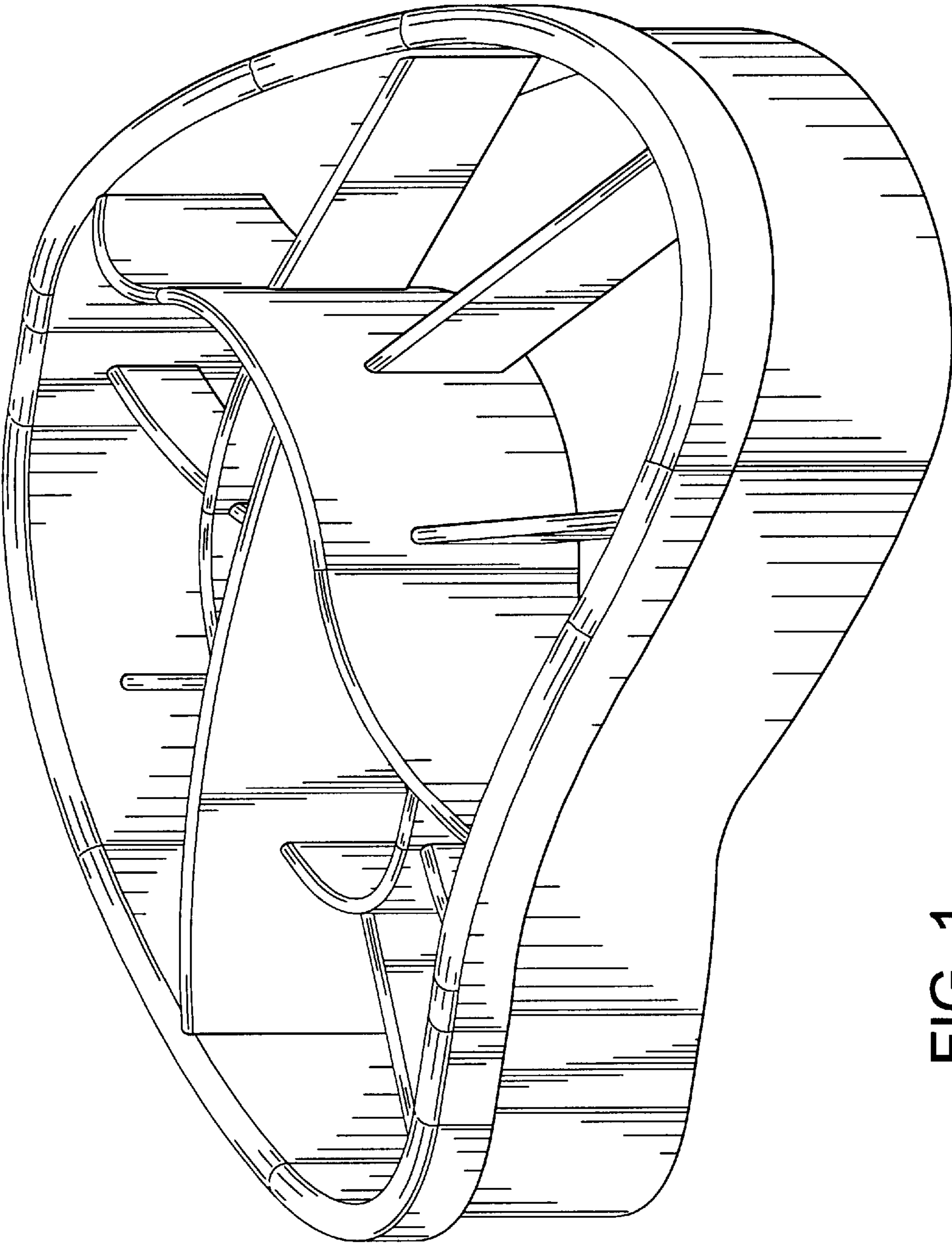


FIG. 1

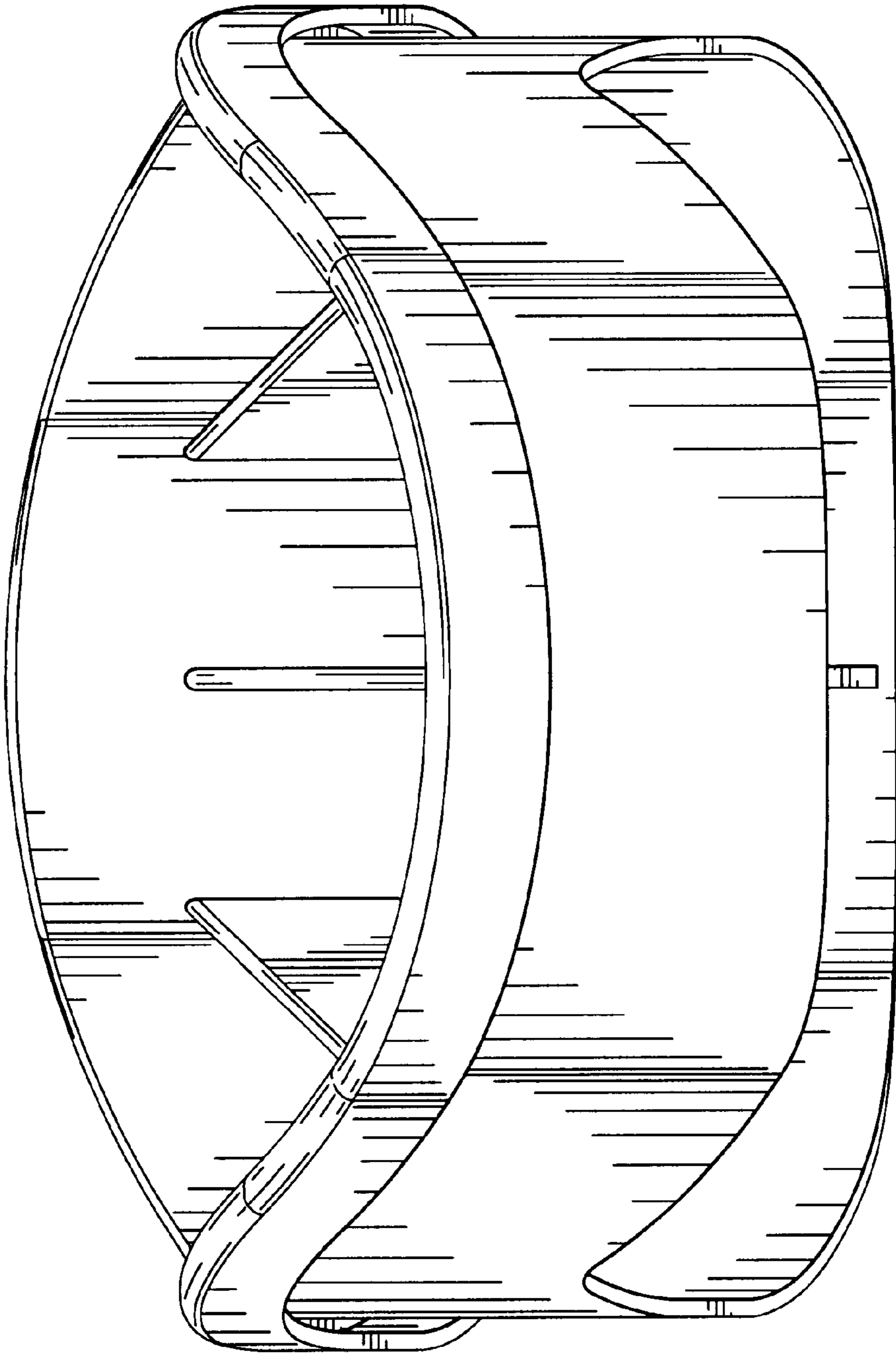


FIG. 2

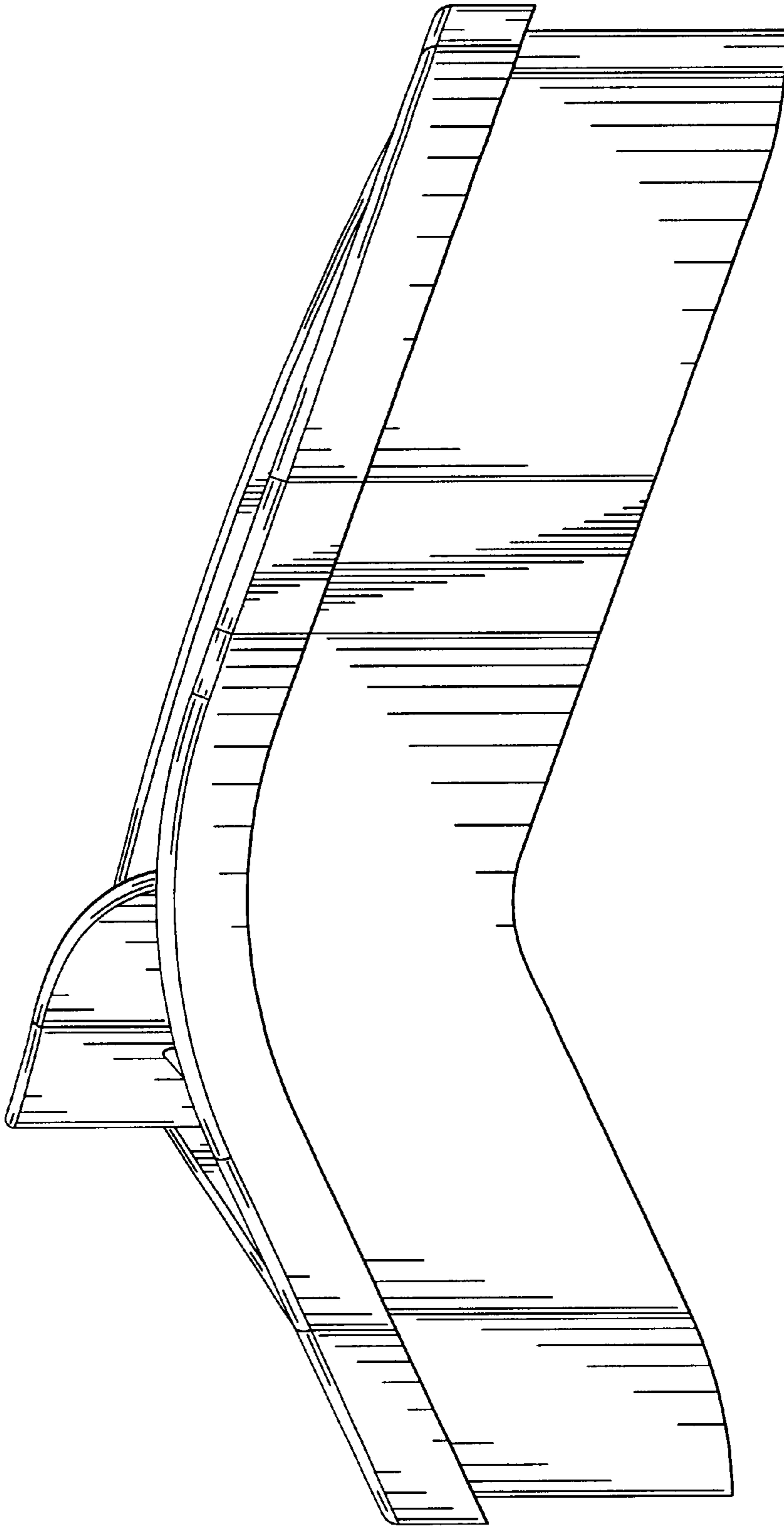


FIG. 3

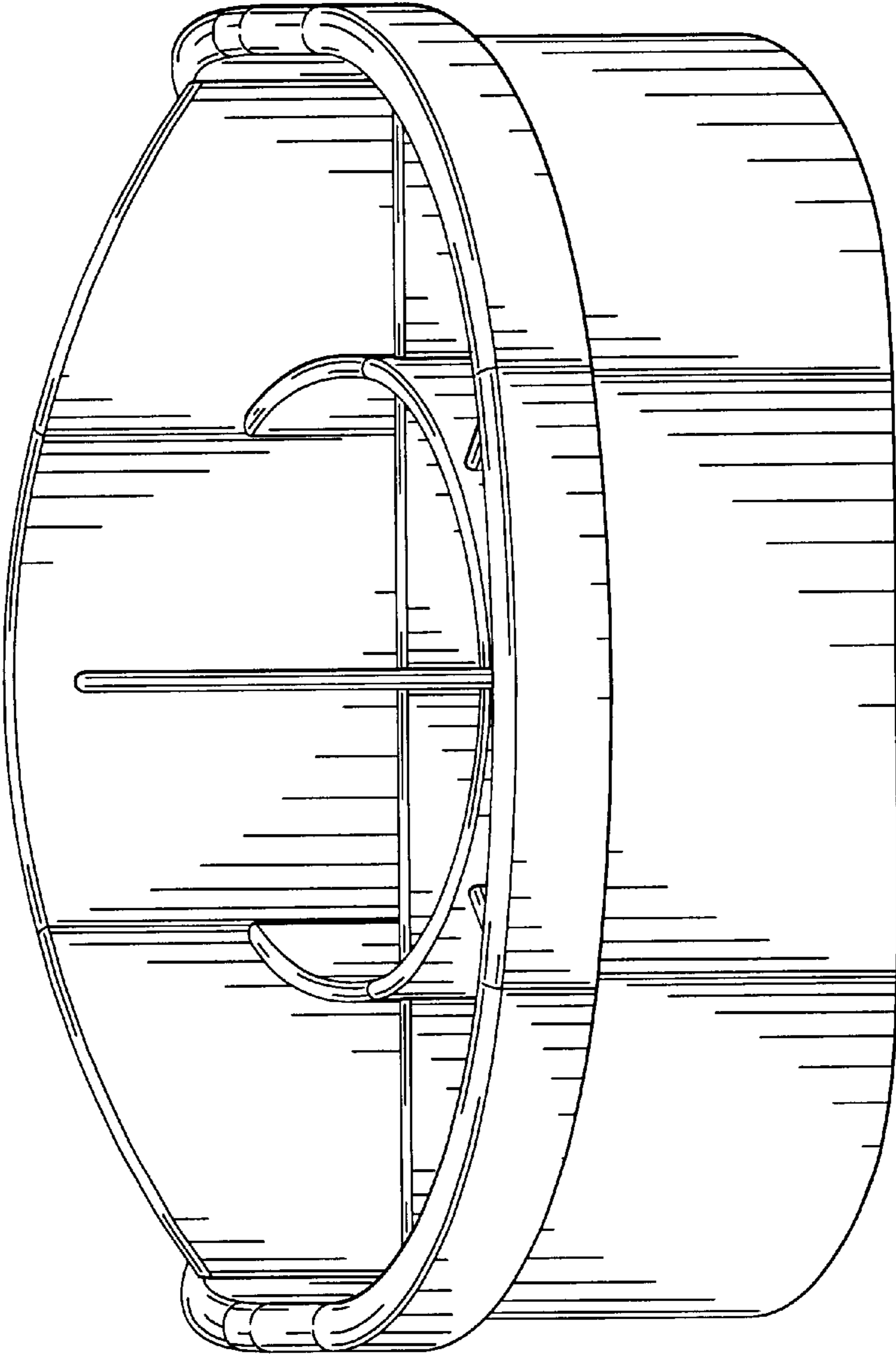


FIG. 4

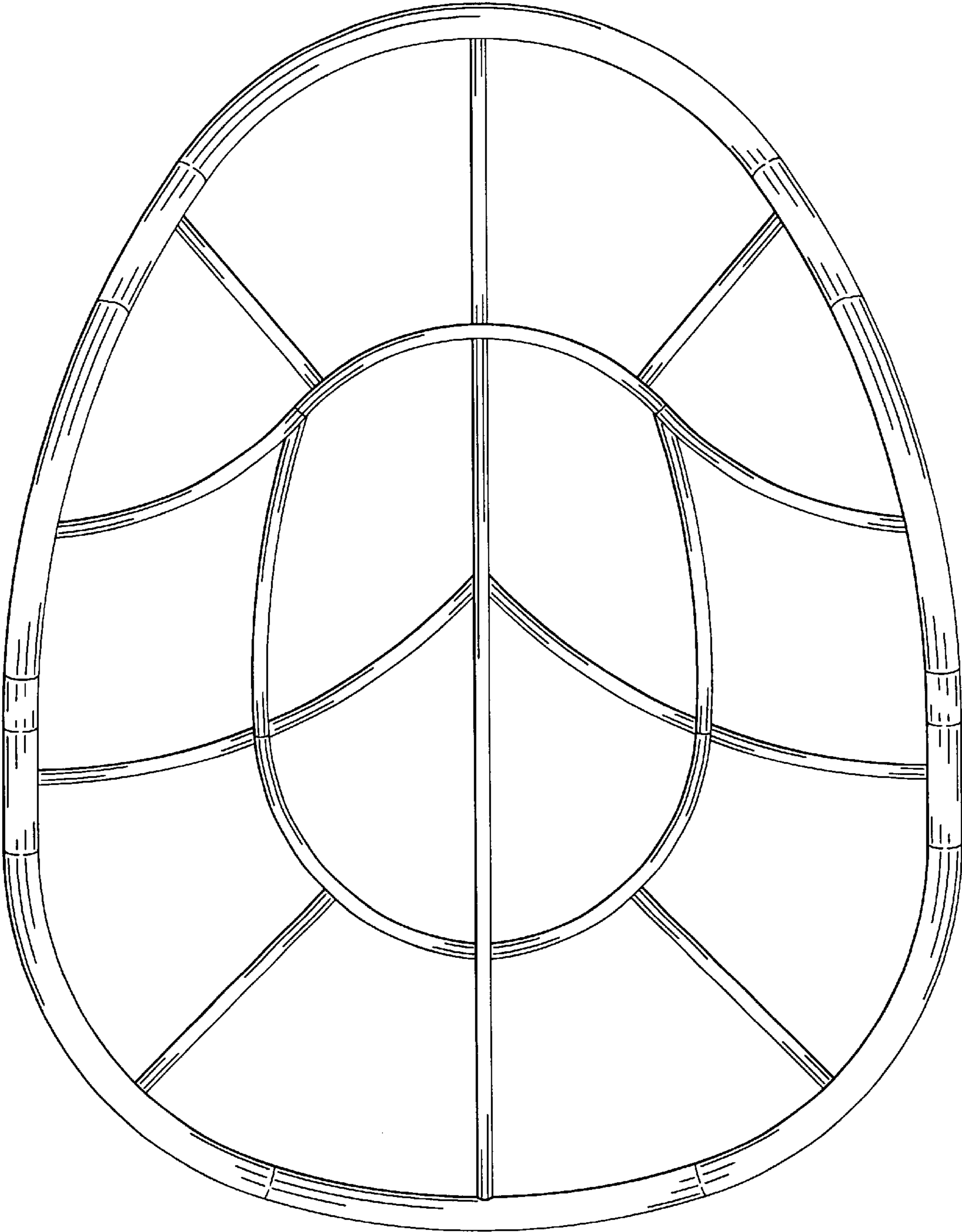


FIG. 5

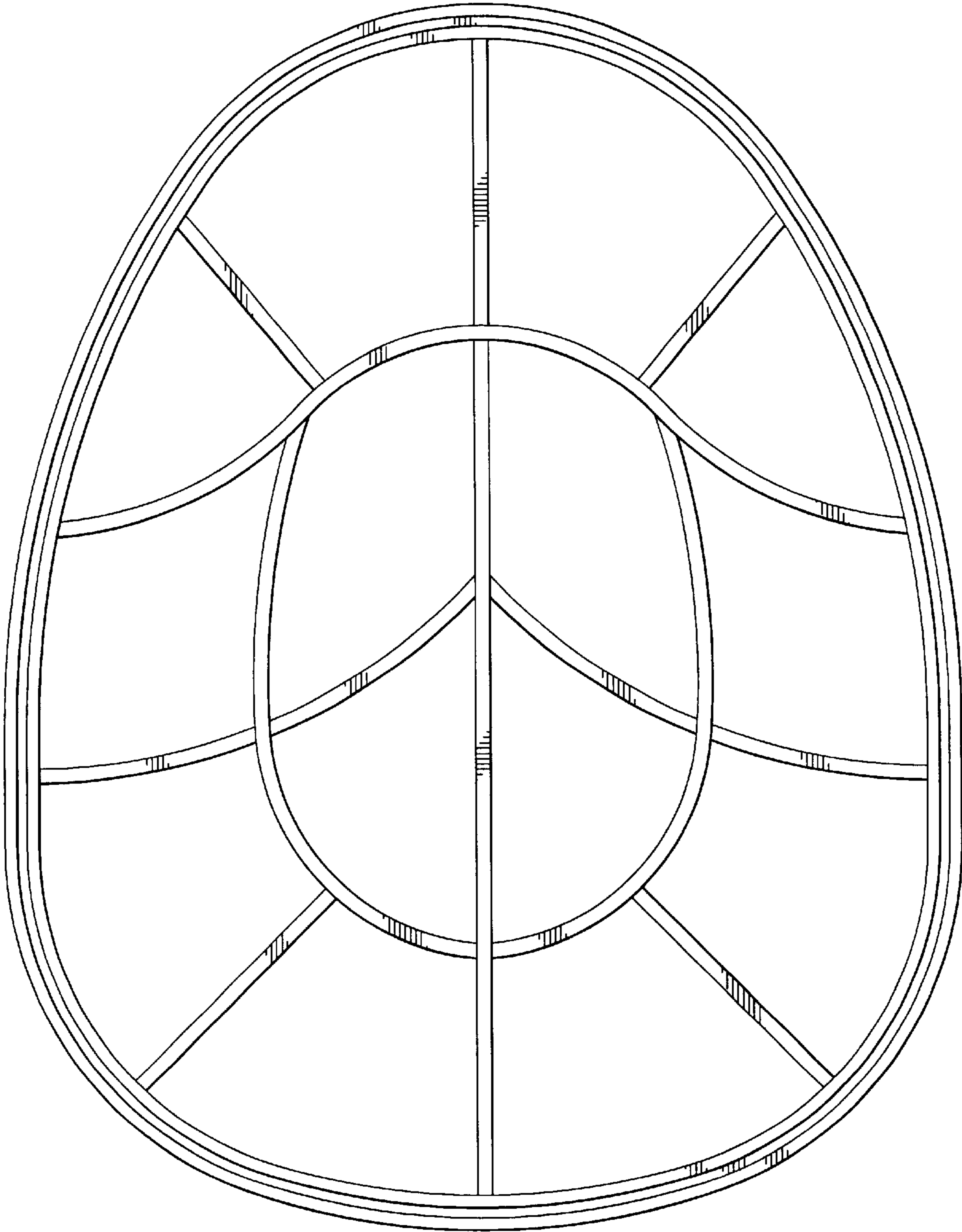


FIG. 6