



US00D525032S

(12) **United States Design Patent**
Jones

(10) **Patent No.:** **US D525,032 S**
(45) **Date of Patent:** **** Jul. 18, 2006**

(54) **CARRIER**

(76) Inventor: **Aaron D. Jones**, 4673 Nathaniel Glen Dr., Cincinnati, OH (US) 45248

(**) Term: **14 Years**

(21) Appl. No.: **29/226,914**

(22) Filed: **Apr. 5, 2005**

(51) **LOC (8) Cl.** **03-01**

(52) **U.S. Cl.** **D3/315**

(58) **Field of Classification Search** D32/53,
D32/53.1; 220/23.83–23.86, 500, 752; D9/414;
206/372, 373; 150/112; 224/240, 904; D19/77;
D3/303, 304, 306, 307, 308, 309, 310, 313,
D3/315, 318, 201, 215, 283, 284, 285, 905
See application file for complete search history.

(56) **References Cited**

U.S. PATENT DOCUMENTS

3,893,607	A	7/1975	Jones	
D338,296	S	8/1993	Yarborough	
5,433,373	A	* 7/1995	Zoeller	229/117.26
5,702,140	A	* 12/1997	Radja	294/146
D412,057	S	* 7/1999	Brown	D3/206

D416,385	S	* 11/1999	Salazar	D3/315
D440,047	S	* 4/2001	Crump	D3/319
D451,281	S	* 12/2001	Wodkowski et al.	D3/315
D484,011	S	* 12/2003	Strobel et al.	D7/706
D492,113	S	* 6/2004	Bayer et al.	D3/310
6,745,895	B1	* 6/2004	Silvers	206/233

* cited by examiner

Primary Examiner—Louis S. Zarfaz

Assistant Examiner—Kathleen Sims

(74) *Attorney, Agent, or Firm*—Richard C. Litman

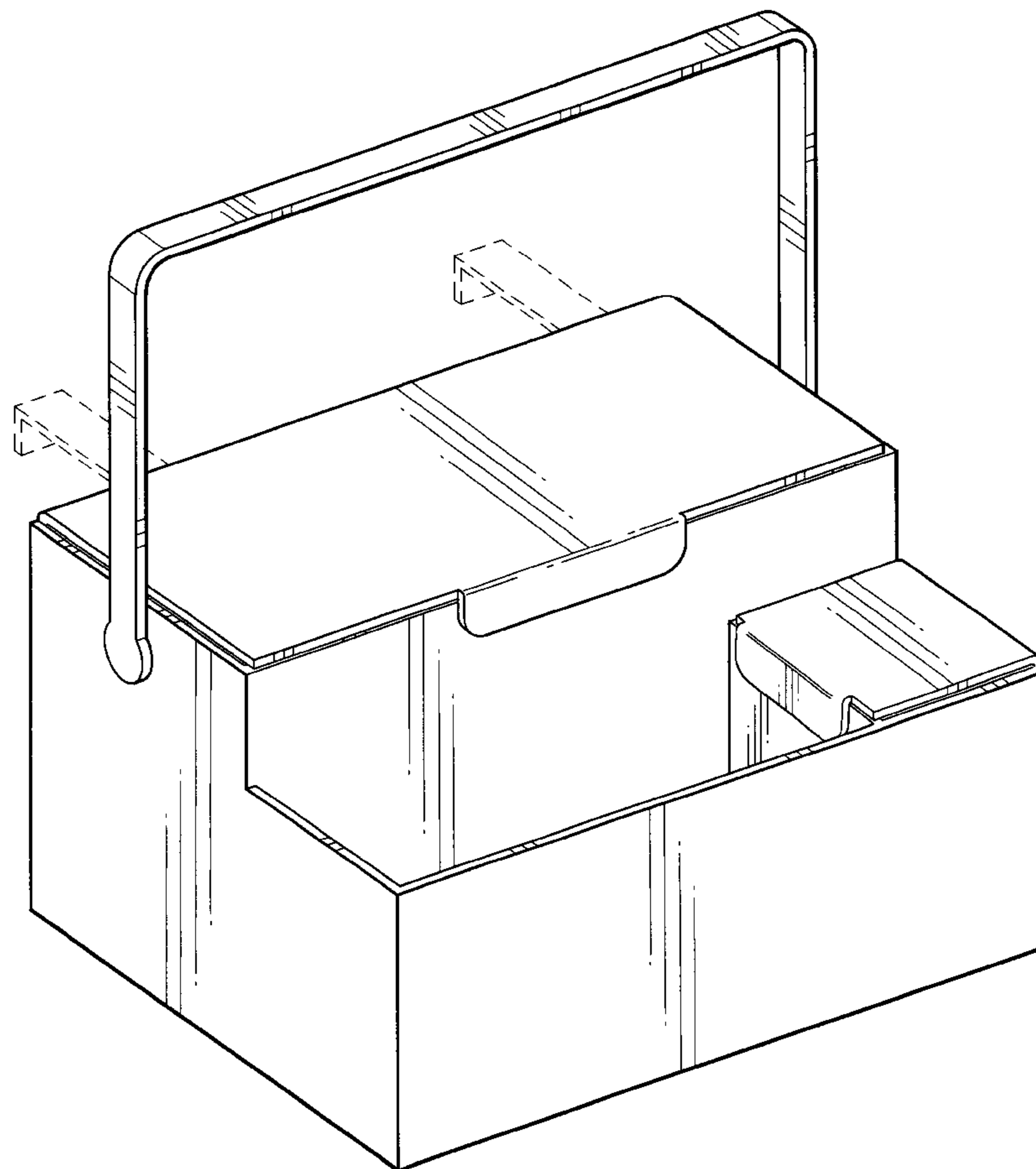
(57) **CLAIM**

The ornamental design for a carrier, as shown and described.

DESCRIPTION

FIG. 1 is a perspective view of a carrier showing my new design;
FIG. 2 is a front elevational view thereof;
FIG. 3 is a top plan view thereof;
FIG. 4 is a left side elevational view with the right side being a mirror image thereof; and,
FIG. 5 is a perspective view thereof.
The broken line showing is for illustrative purposes only and forms no part of the claimed design.

1 Claim, 5 Drawing Sheets



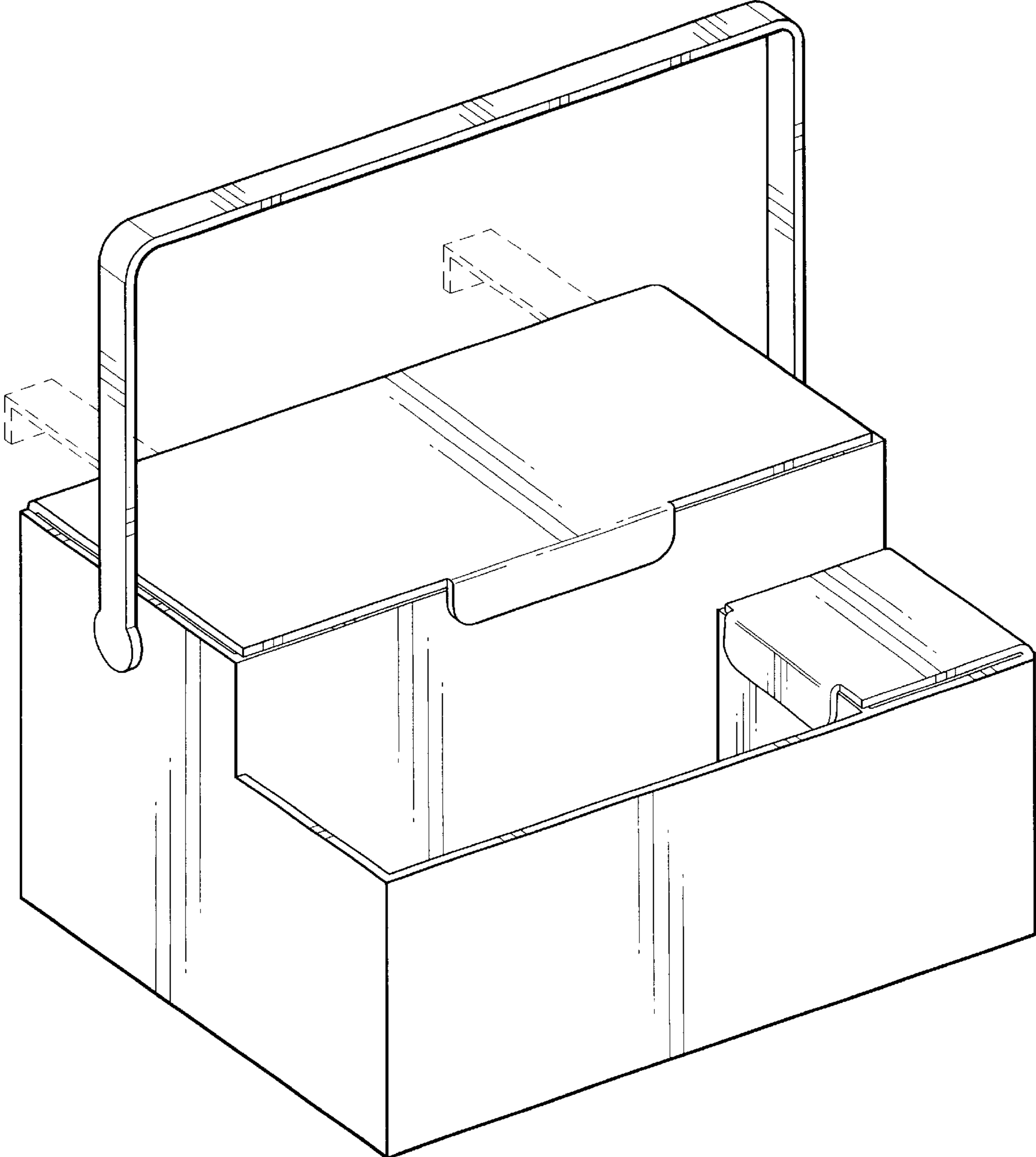


FIG. 1

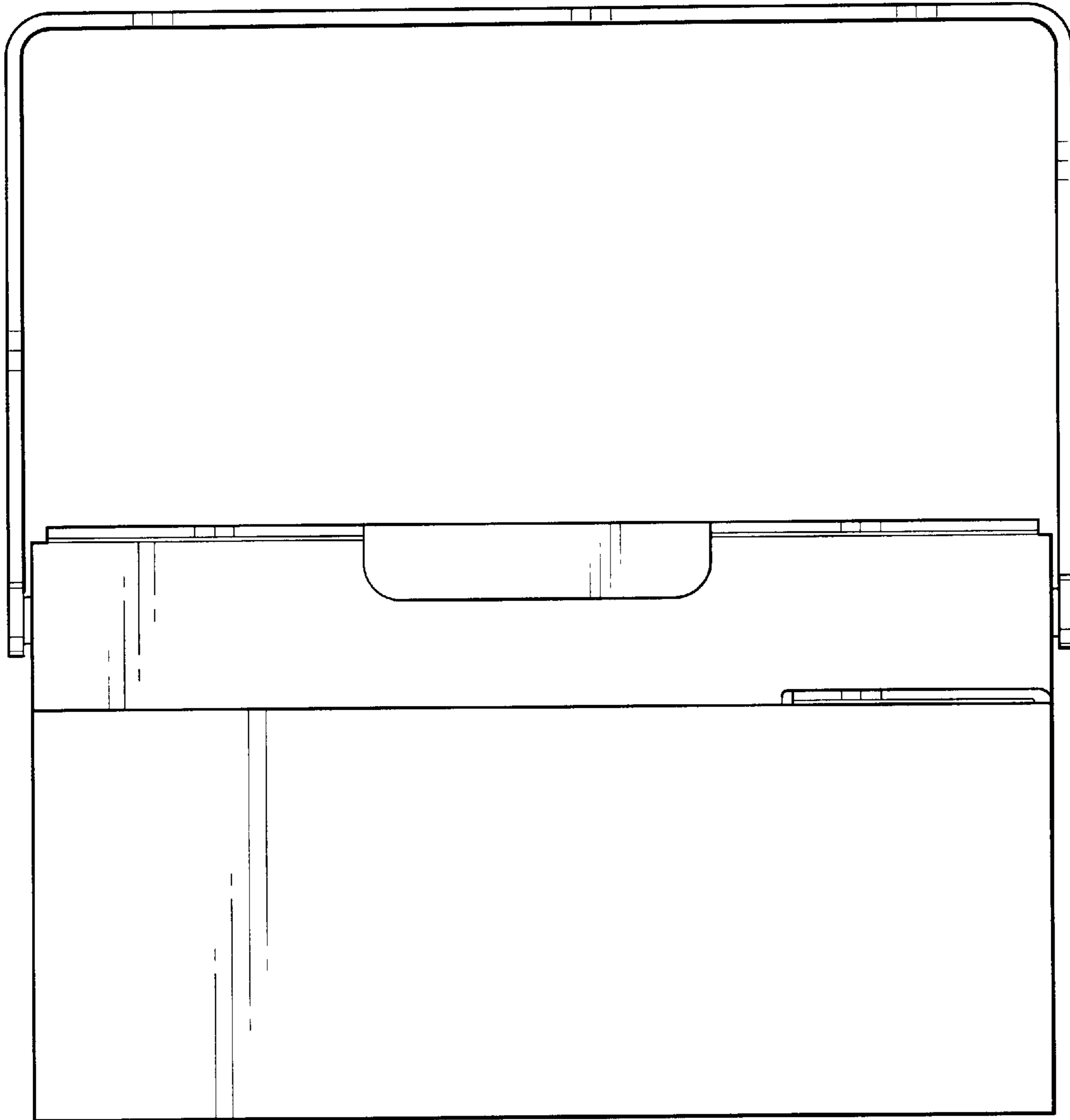


FIG. 2

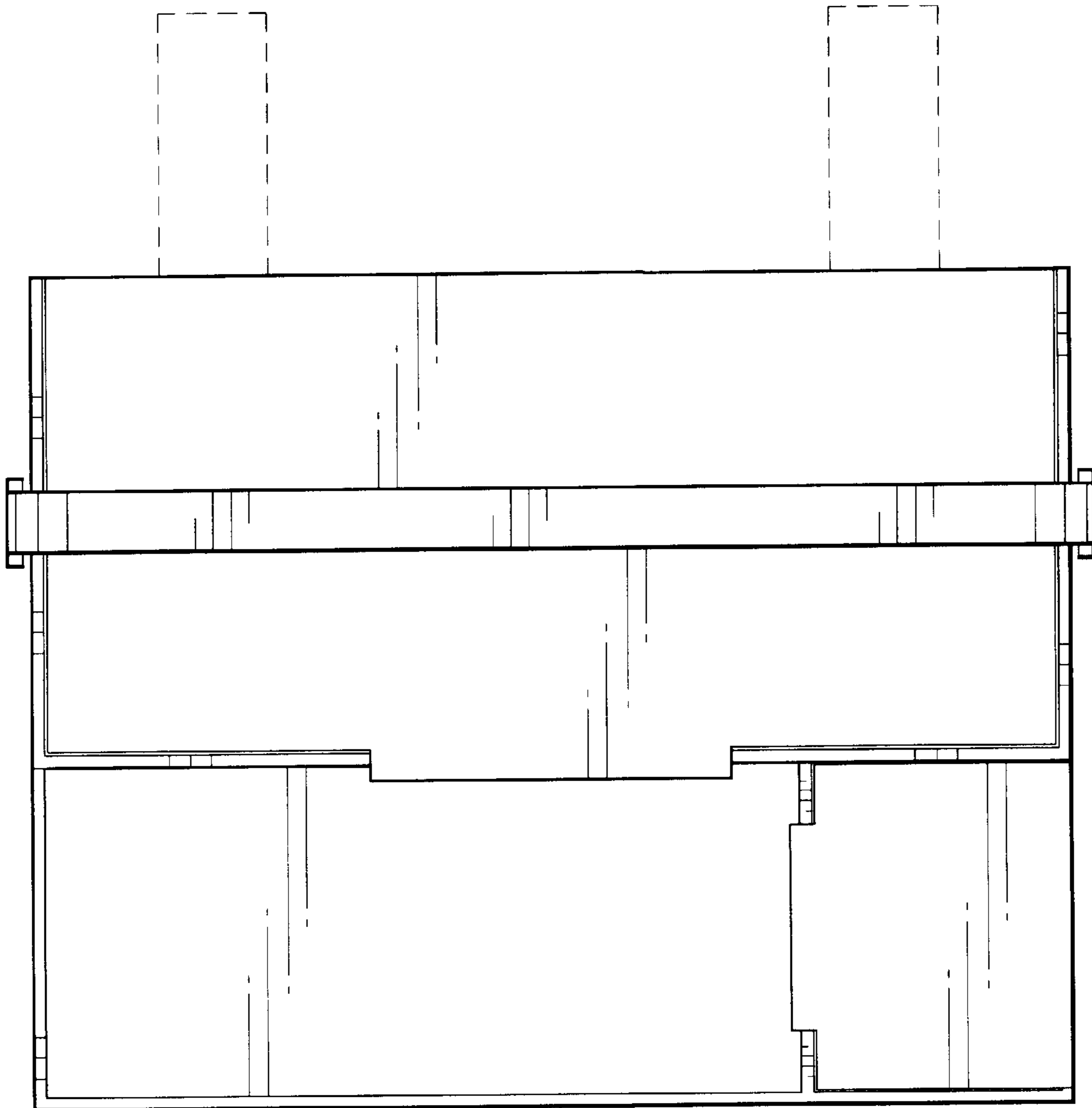


FIG. 3

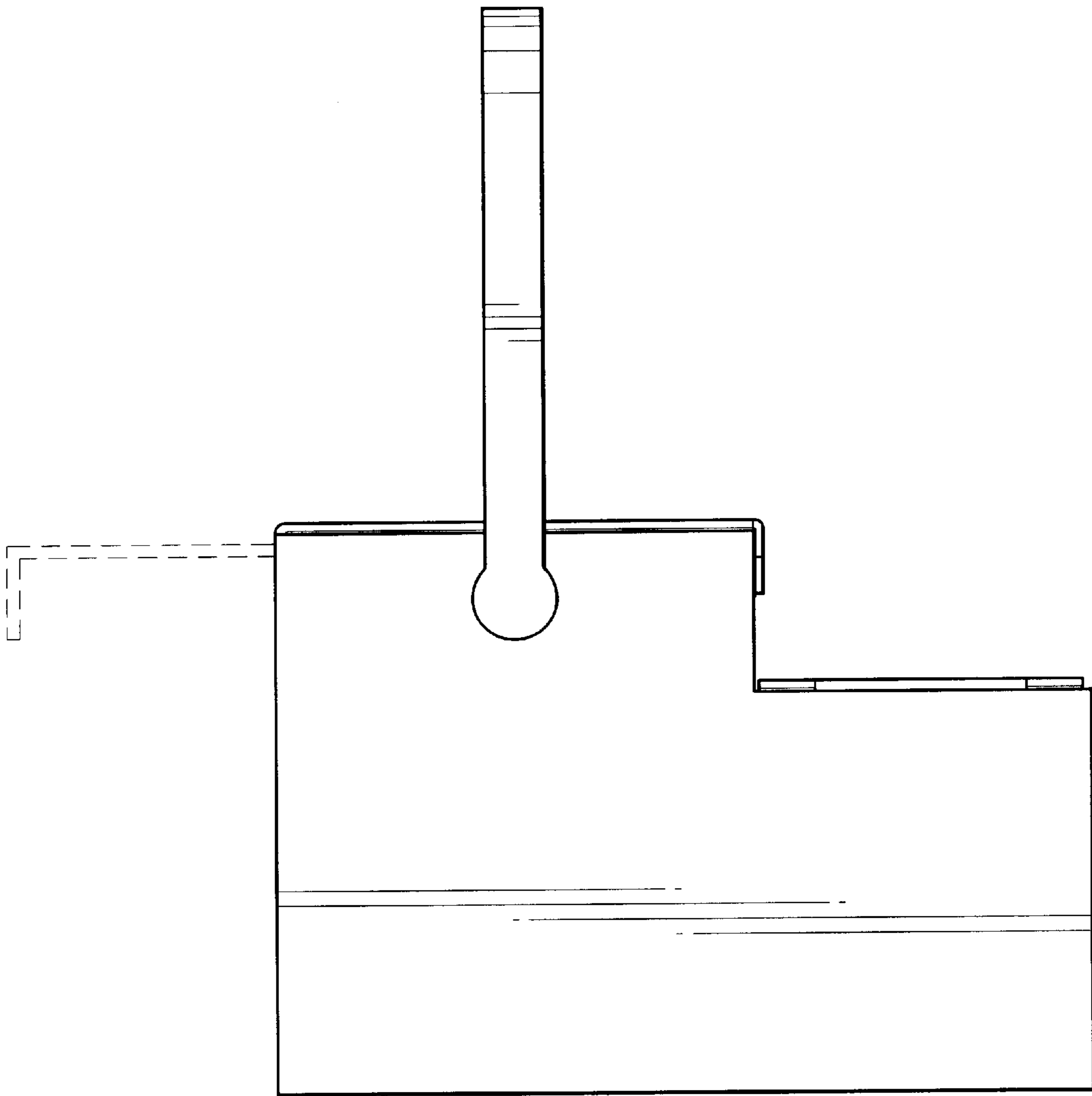


FIG. 4

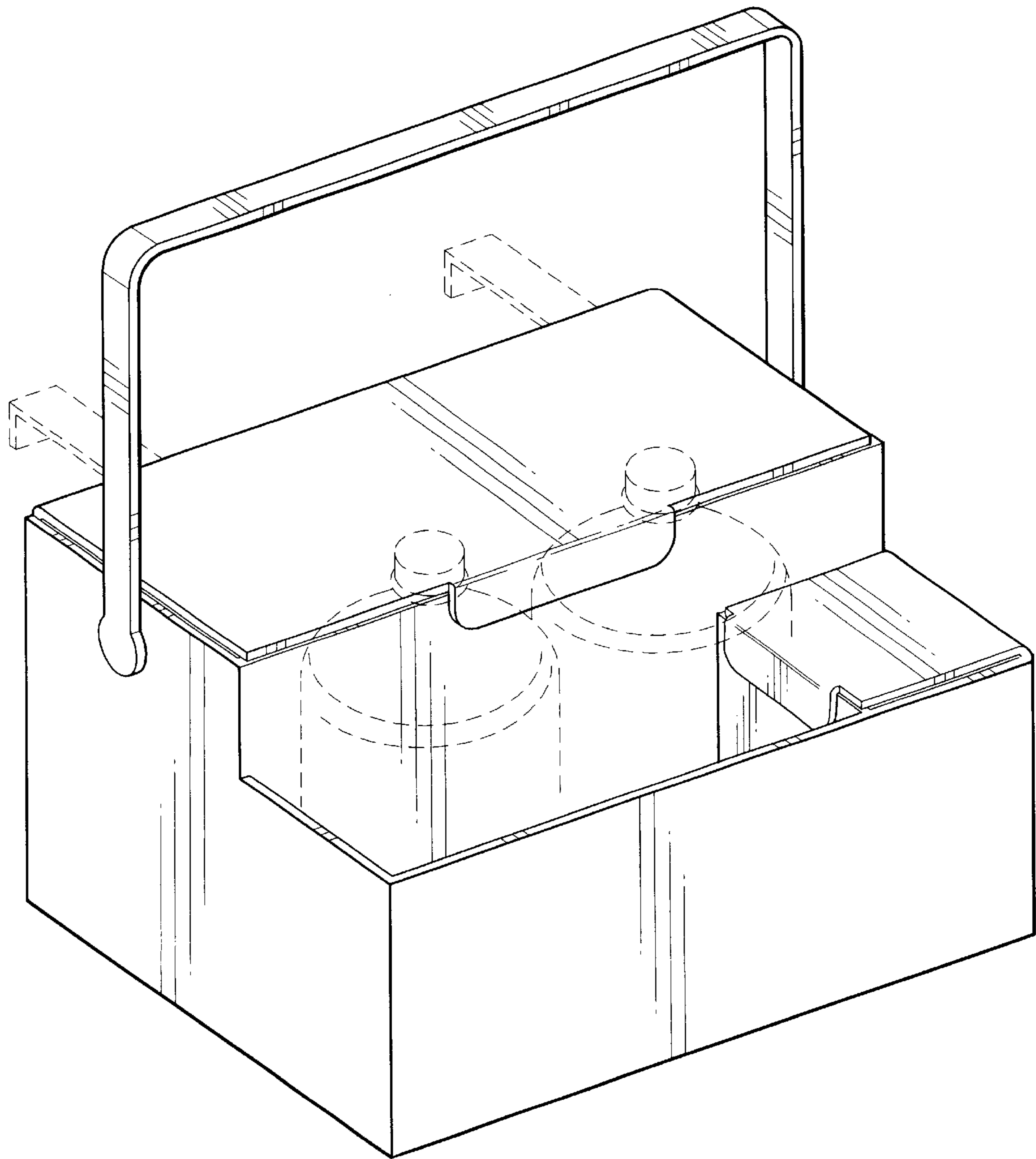


FIG. 5