



US00D525029S

(12) **United States Design Patent**  
**Teitloff et al.**

(10) **Patent No.:** **US D525,029 S**

(45) **Date of Patent:** **\*\* \*Jul. 18, 2006**

(54) **BOWLING BALL CARRIER**

(75) Inventors: **Randall R. Teitloff**, Paducah, KY (US);  
**Edward F. Gallagher**, Clarksville, TN  
(US)

(73) Assignee: **Ebonite International, Inc.**,  
Hopkinsville, KY (US)

(\*) Notice: This patent is subject to a terminal dis-  
claimer.

(\*\*) Term: **14 Years**

(21) Appl. No.: **29/203,837**

(22) Filed: **Apr. 20, 2004**

(51) **LOC (8) Cl.** ..... **03-01**

(52) **U.S. Cl.** ..... **D3/258; D3/279**

(58) **Field of Classification Search** ..... D3/254,  
D3/257, 258, 279, 283, 284; 190/18 A; 206/315.1,  
206/315.91; 280/47.19, 654, 655  
See application file for complete search history.

(56) **References Cited**

**U.S. PATENT DOCUMENTS**

4,066,156	A	*	1/1978	Basile	.....	190/18 A
4,311,223	A	*	1/1982	Stein	.....	206/315.9
D282,787	S	*	2/1986	Nichols	.....	D34/25
5,074,571	A	*	12/1991	Reese	.....	280/47.19
D349,401	S	*	8/1994	Carrillo	.....	D3/221

D354,396	S	*	1/1995	Lowenstein	.....	D3/276
D364,504	S	*	11/1995	Bieber et al.	.....	D3/276
5,791,469	A	*	8/1998	Be	.....	206/315.91
6,099,023	A	*	8/2000	Be	.....	280/655
D431,906	S	*	10/2000	Livingston	.....	D3/279
D455,262	S	*	4/2002	Krulik	.....	D3/279
D481,204	S	*	10/2003	Rada	.....	D3/279

\* cited by examiner

*Primary Examiner*—Philip S. Hyder

(74) *Attorney, Agent, or Firm*—Wyatt, Tarrant & Combs,  
LLP

(57) **CLAIM**

We claim the ornamental design for a bowling ball carrier,  
as shown and described.

**DESCRIPTION**

FIG. 1 is a isometric view of a bowling ball carrier according  
to the present invention.

FIG. 2 is a front view of the bowling ball carrier of FIG. 1.

FIG. 3 is a rear view of the bowling ball carrier of FIGS. 1–2.

FIG. 4 is a side view of the bowling ball carrier of FIGS.  
1–3.

FIG. 5 is a top view of the bowling ball carrier of FIGS. 1–4.

FIG. 6 is a bottom view of the bowling ball carrier of FIGS.  
1–5; and,

FIG. 7 is a rear view of the bowling ball carrier of FIGS. 1–6  
wherein the front of the bag is in the open position.

**1 Claim, 6 Drawing Sheets**

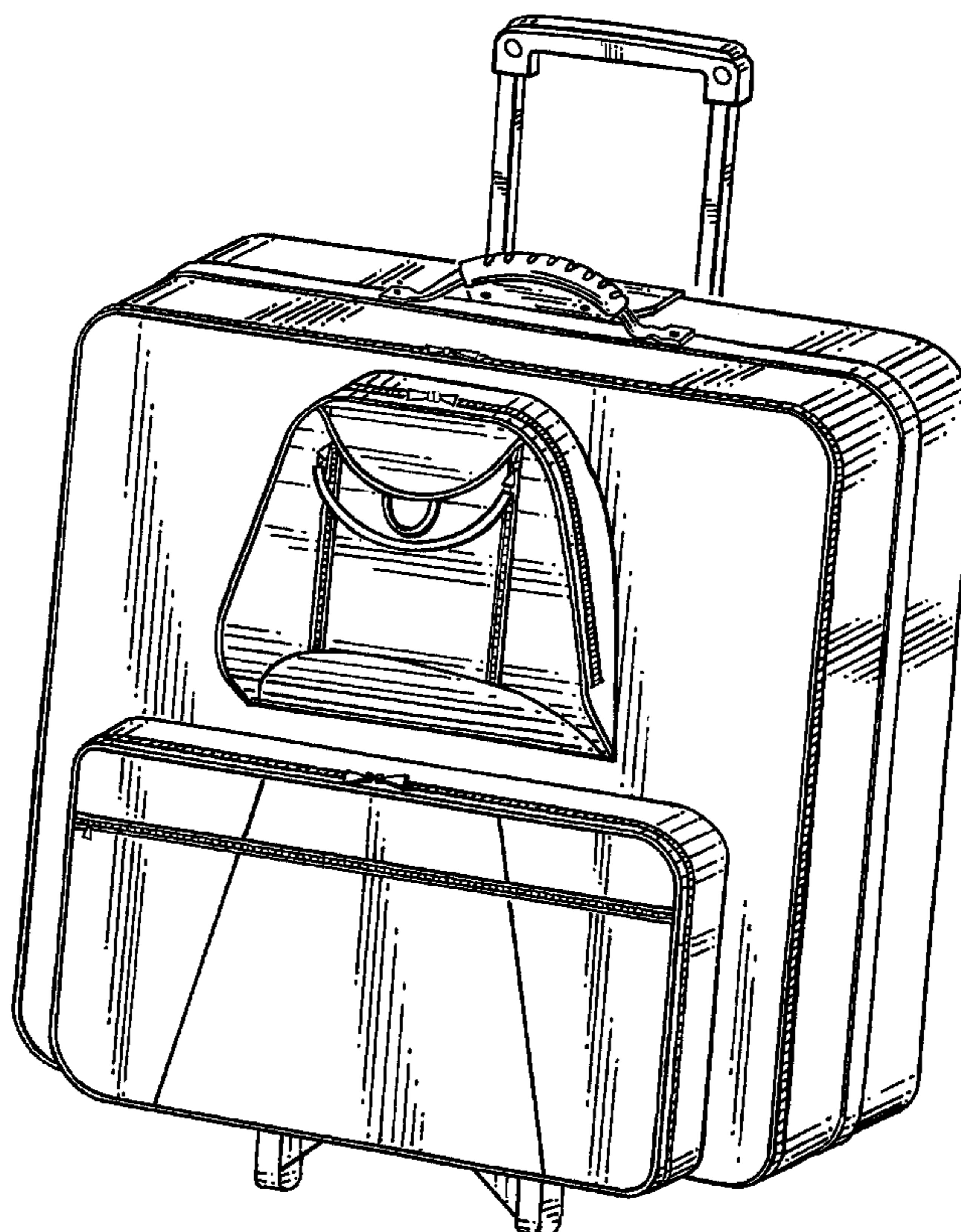
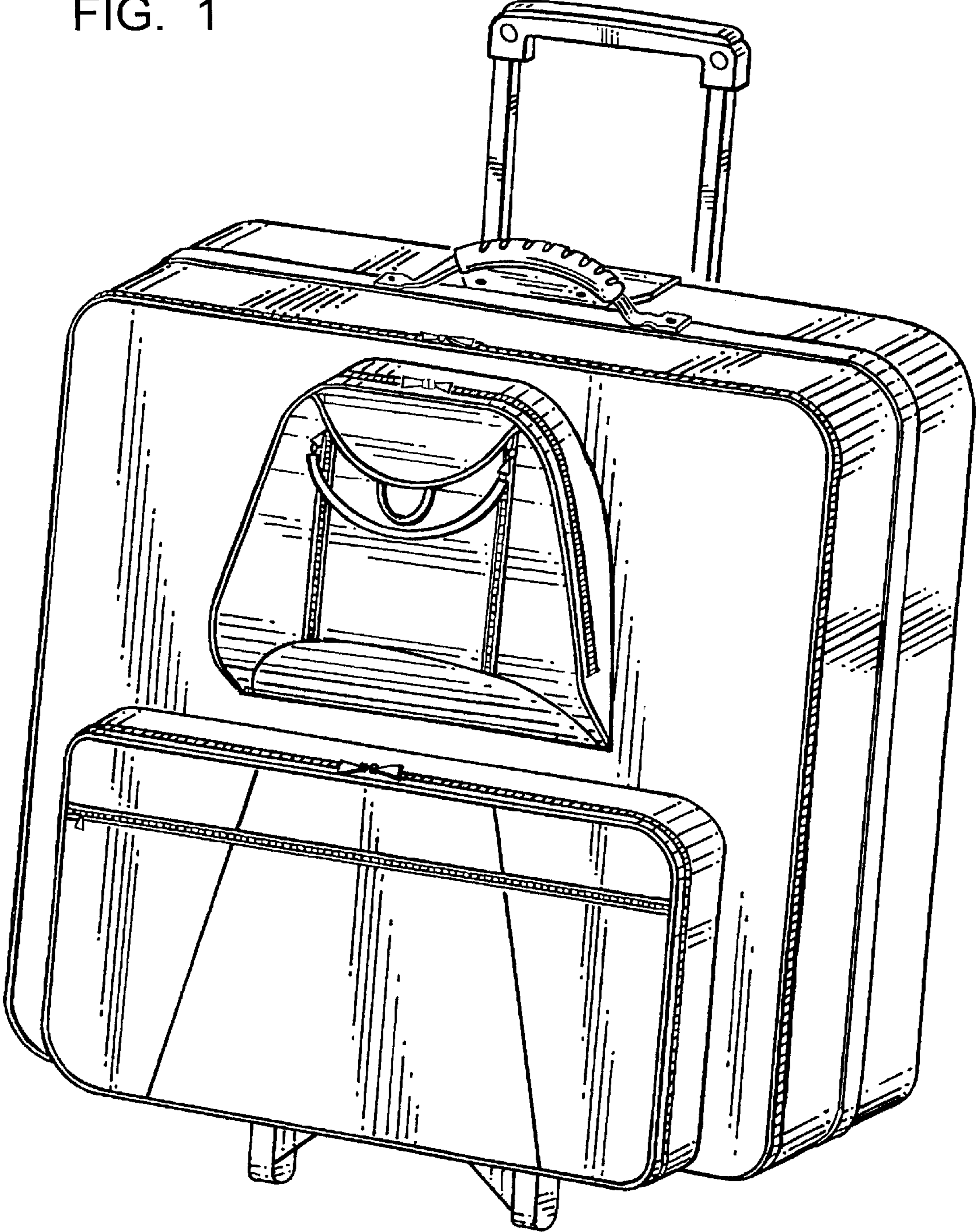


FIG. 1



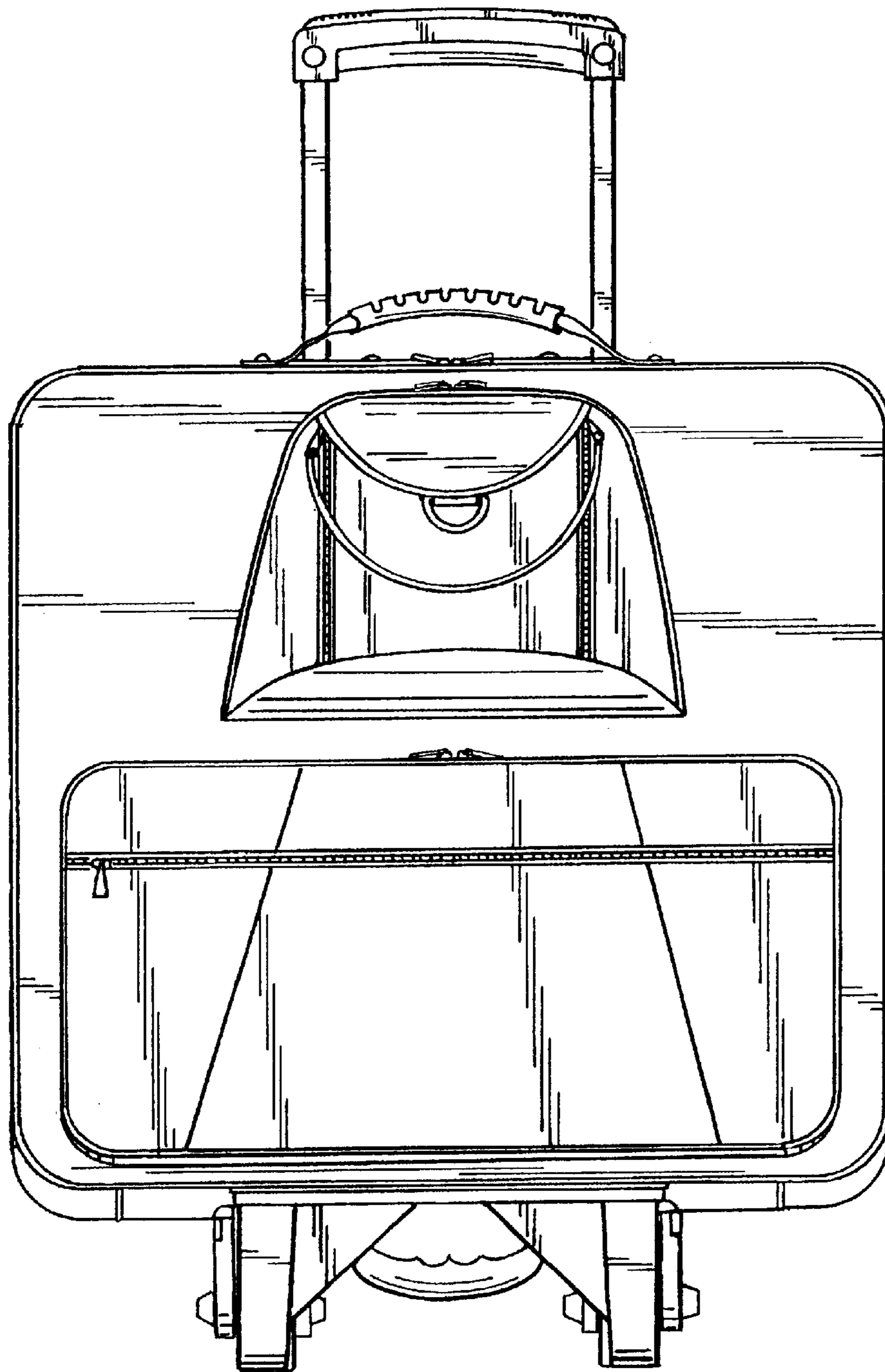


FIGURE 2

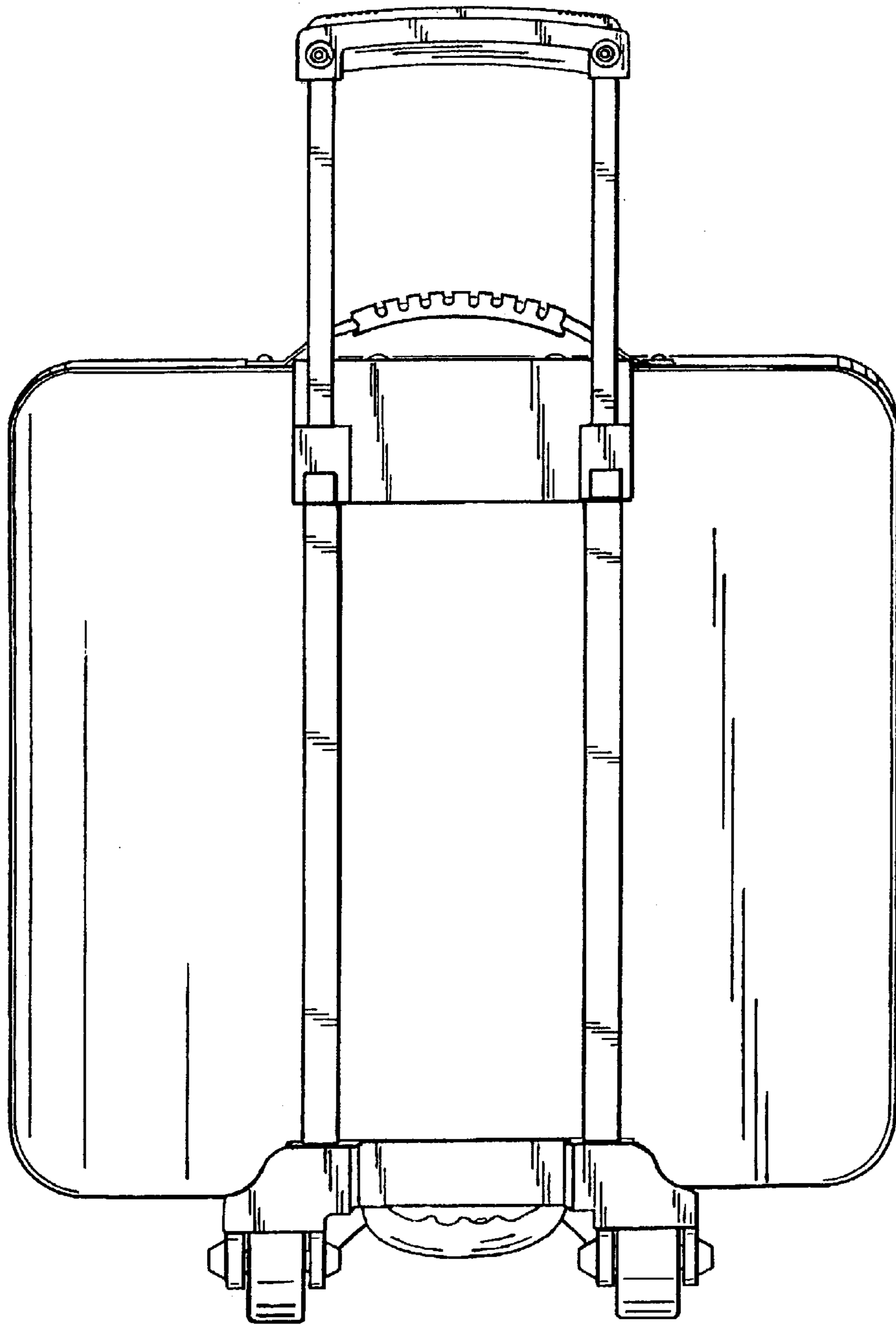


FIGURE 3



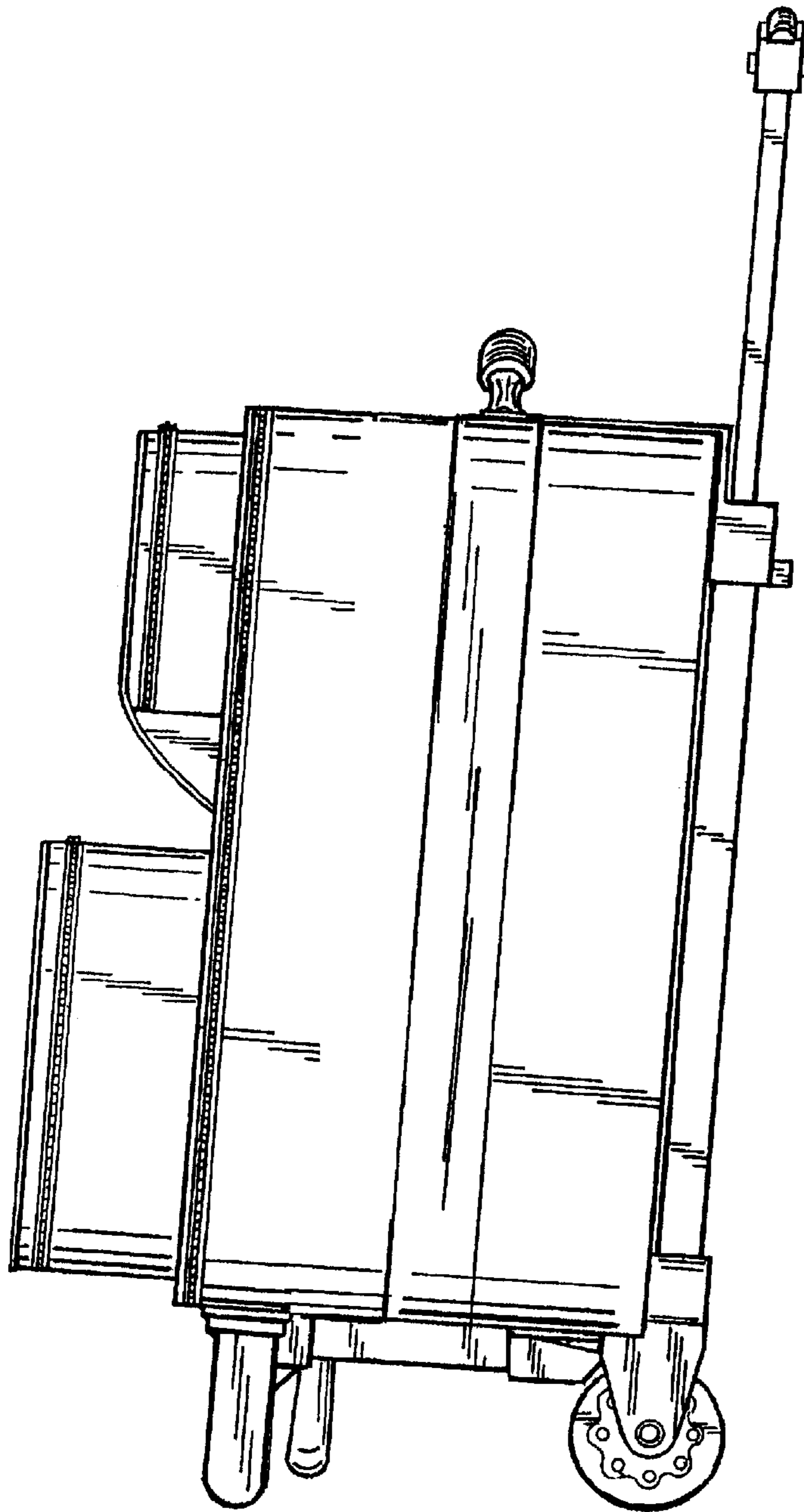


FIGURE 4

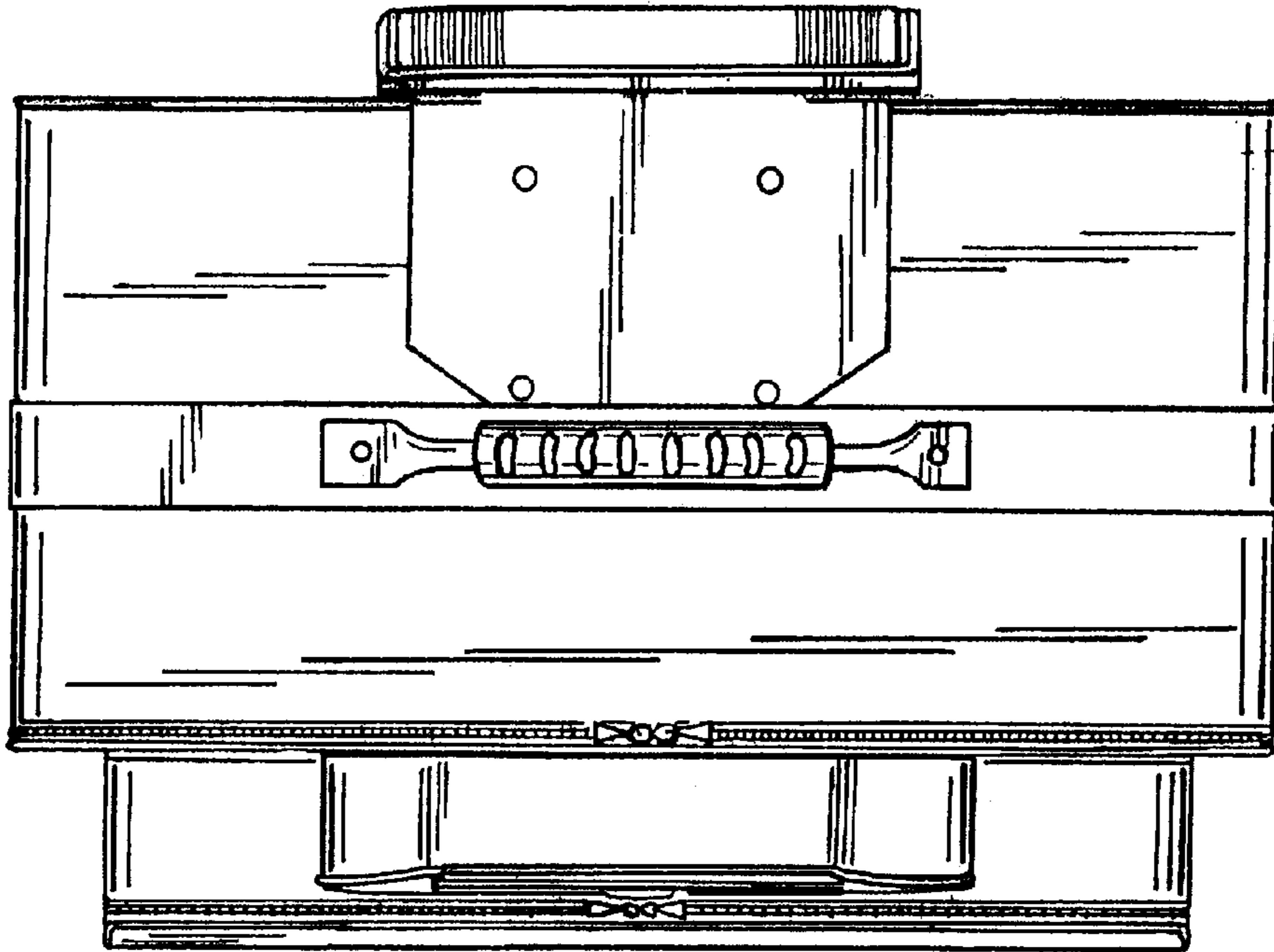


FIGURE 5

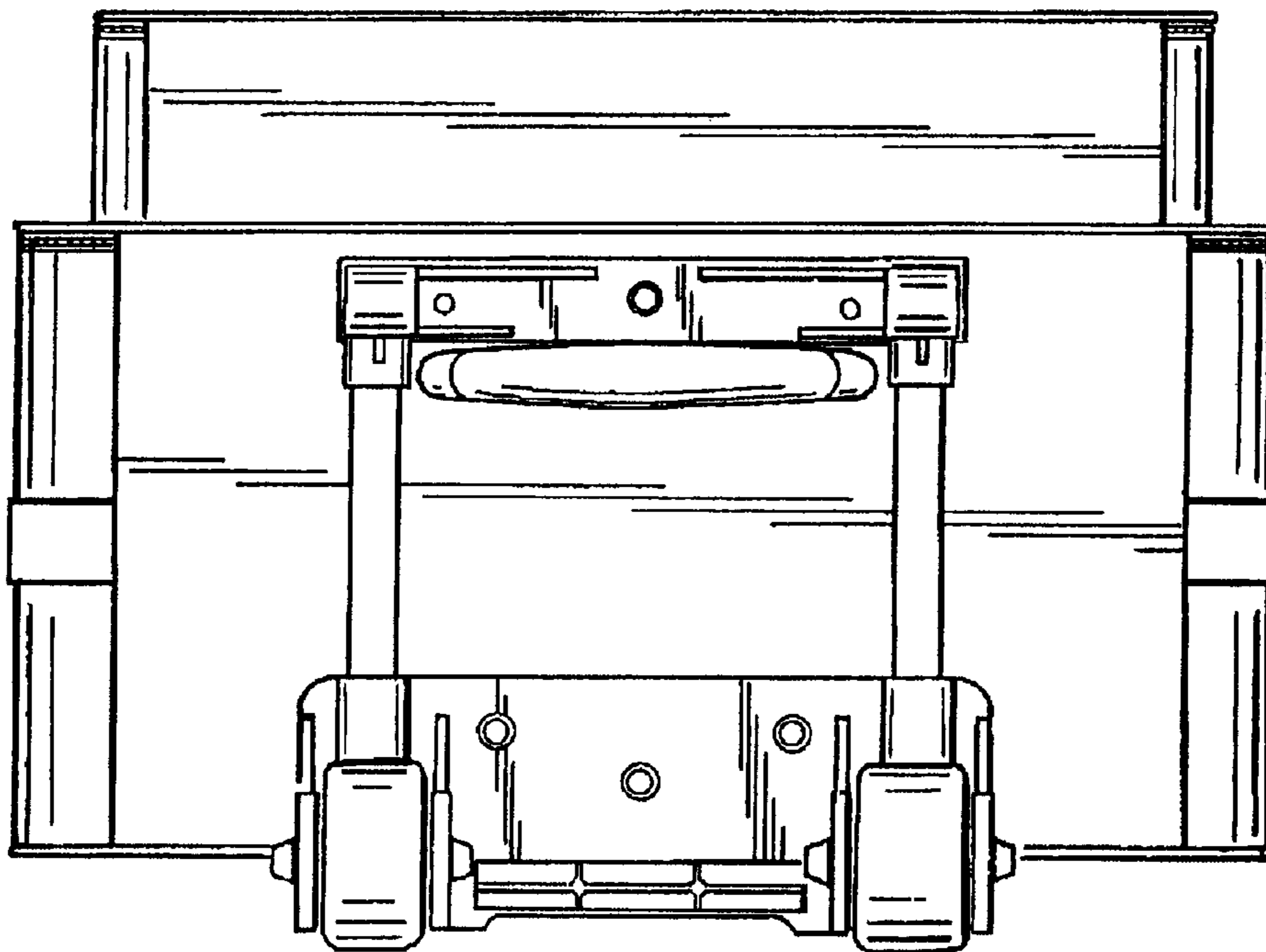


FIGURE 6

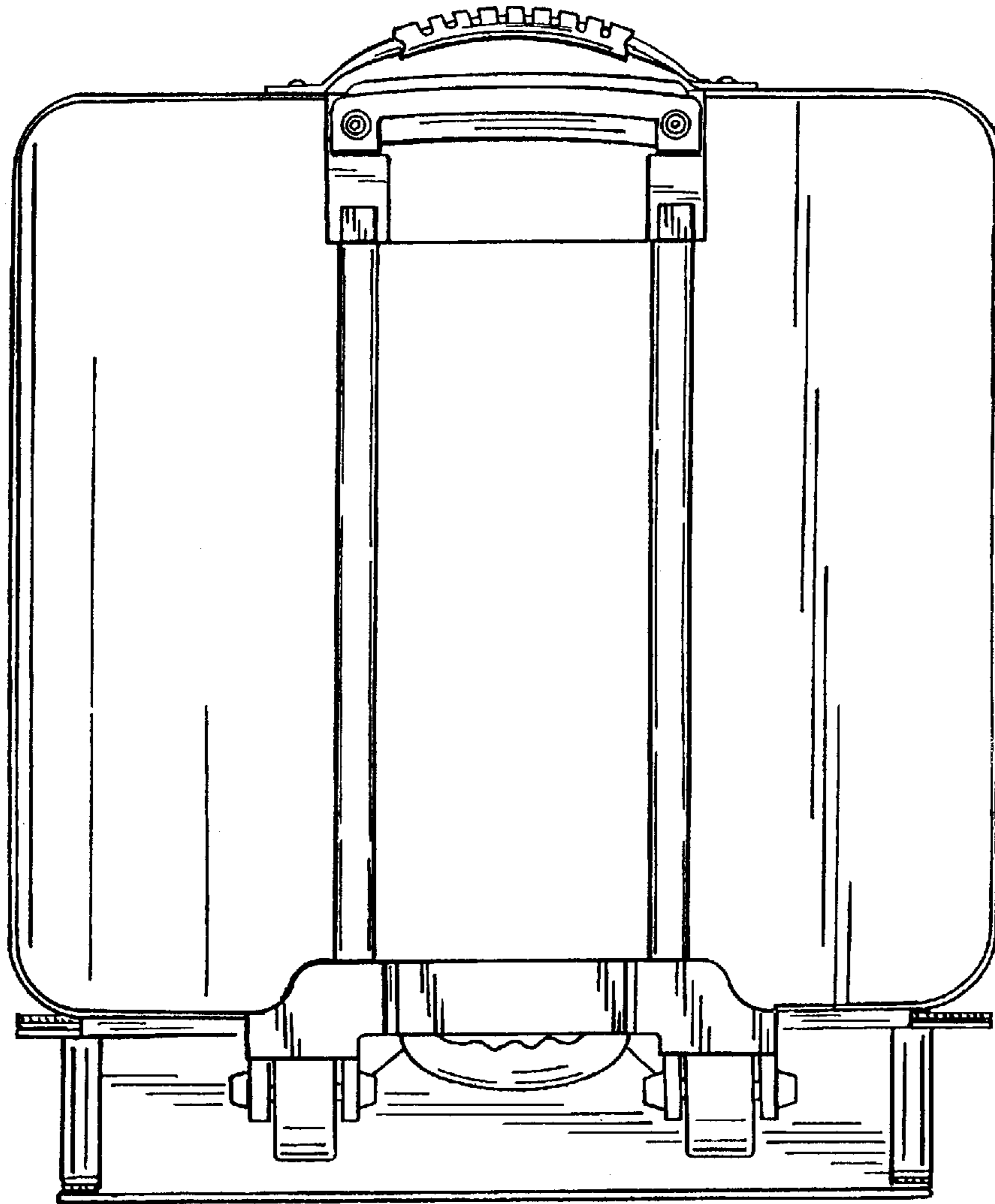


FIGURE 7