



US00D525025S

(12) **United States Design Patent**
Van Horn

(10) **Patent No.:** **US D525,025 S**

(45) **Date of Patent:** **** Jul. 18, 2006**

(54) **EARPLUG DISPENSER**

(76) Inventor: **Richard Van Horn**, 3430 Higgins
Gulch Rd., Spearfish, SD (US) 57783

(**) Term: **14 Years**

(21) Appl. No.: **29/229,911**

(22) Filed: **May 13, 2005**

(51) **LOC (8) Cl.** **03-01**

(52) **U.S. Cl.** **D3/203.1**

(58) **Field of Classification Search** D3/203.1,
D3/203.7, 201, 205, 215, 218; 206/221, 37-38,
206/229; D6/515; 128/866; D24/106; 221/186,
221/190, 197, 266, 289

See application file for complete search history.

(56) **References Cited**

U.S. PATENT DOCUMENTS

3,243,081	A	*	3/1966	Schmank	221/186
4,321,998	A	*	3/1982	Van de Walker et al.	...	206/229
5,280,845	A		1/1994	Leight	221/2
D345,663	S		4/1994	Hartman et al.	D6/515
5,318,200	A		6/1994	Allen et al.	221/192
5,322,185	A		6/1994	Leight	221/2
D414,359	S		9/1999	Scholey et al.	D6/515
5,954,229	A		9/1999	Scholey et al.	221/186
6,036,005	A	*	3/2000	Krause et al.	206/221
D424,340	S		5/2000	Fleming	D6/515

6,241,120	B1		6/2001	Scholey et al.	221/186
6,299,019	B1		10/2001	Leight	221/186
D474,886	S	*	5/2003	Fleming et al.	D3/203.1
6,568,395	B1		5/2003	Tiemens	128/864
6,604,653	B1		8/2003	Millar	221/203
D509,352	S	*	9/2005	Raven et al.	D3/203.1
2002/0139707	A1		10/2002	Hakansson	206/526

* cited by examiner

Primary Examiner—Catherine R. Oliver

(74) *Attorney, Agent, or Firm*—Dorr, Carson & Birney, P.C.

(57) **CLAIM**

The ornamental design for an earplug dispenser, as shown and described.

DESCRIPTION

FIG. 1 is a front perspective view of an earplug dispenser showing my new design.

FIG. 2 is a front elevational view thereof, with the rear elevational view being a mirror image of FIG. 2.

FIG. 3 is a left side view;

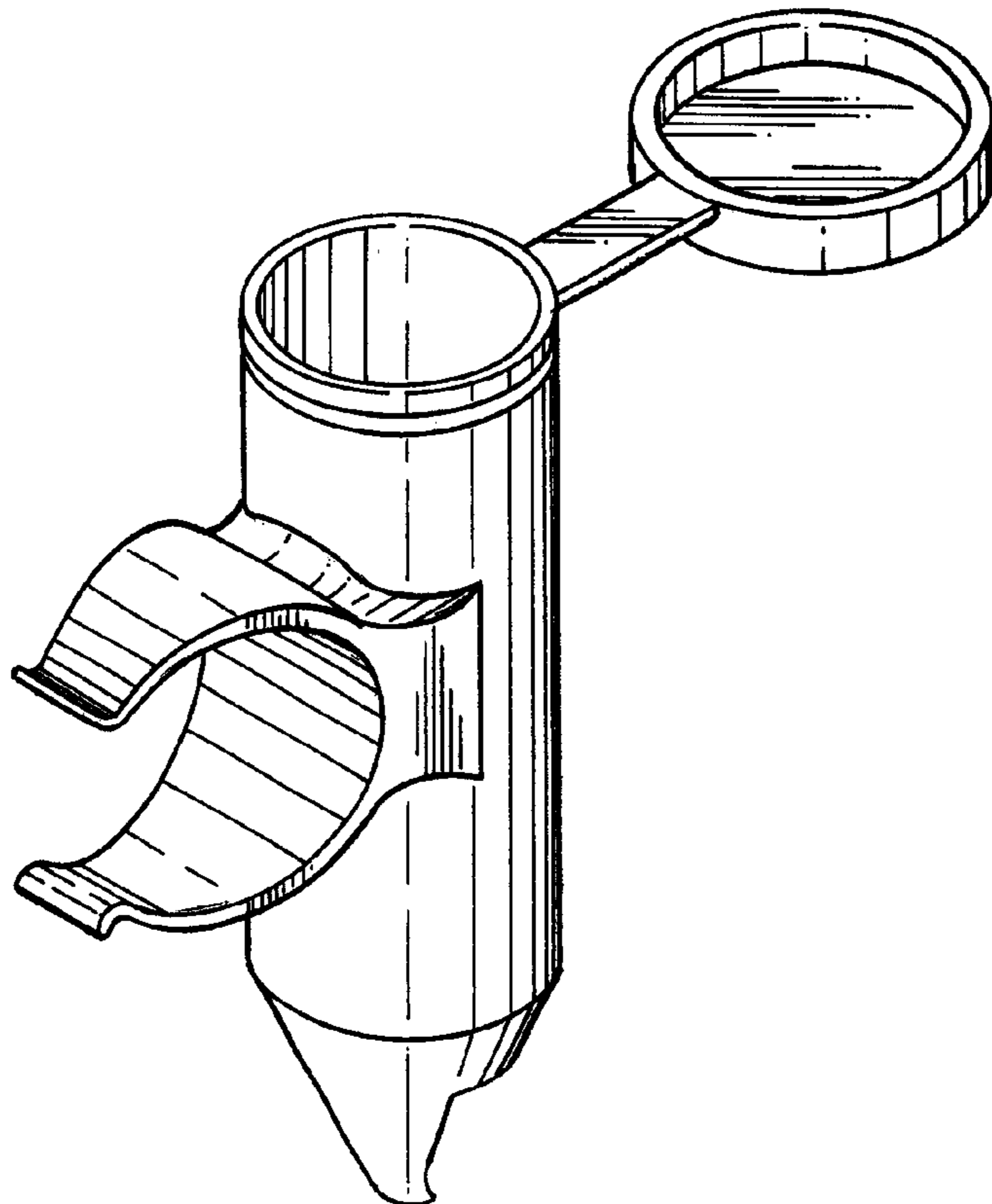
FIG. 4 is a top plan view;

FIG. 5 is a right side elevational view thereof; and,

FIG. 6 is a bottom plan view thereof.

The broken line showing of environment in the drawings is for illustrative purposes only and forms no part of the claimed design.

1 Claim, 2 Drawing Sheets



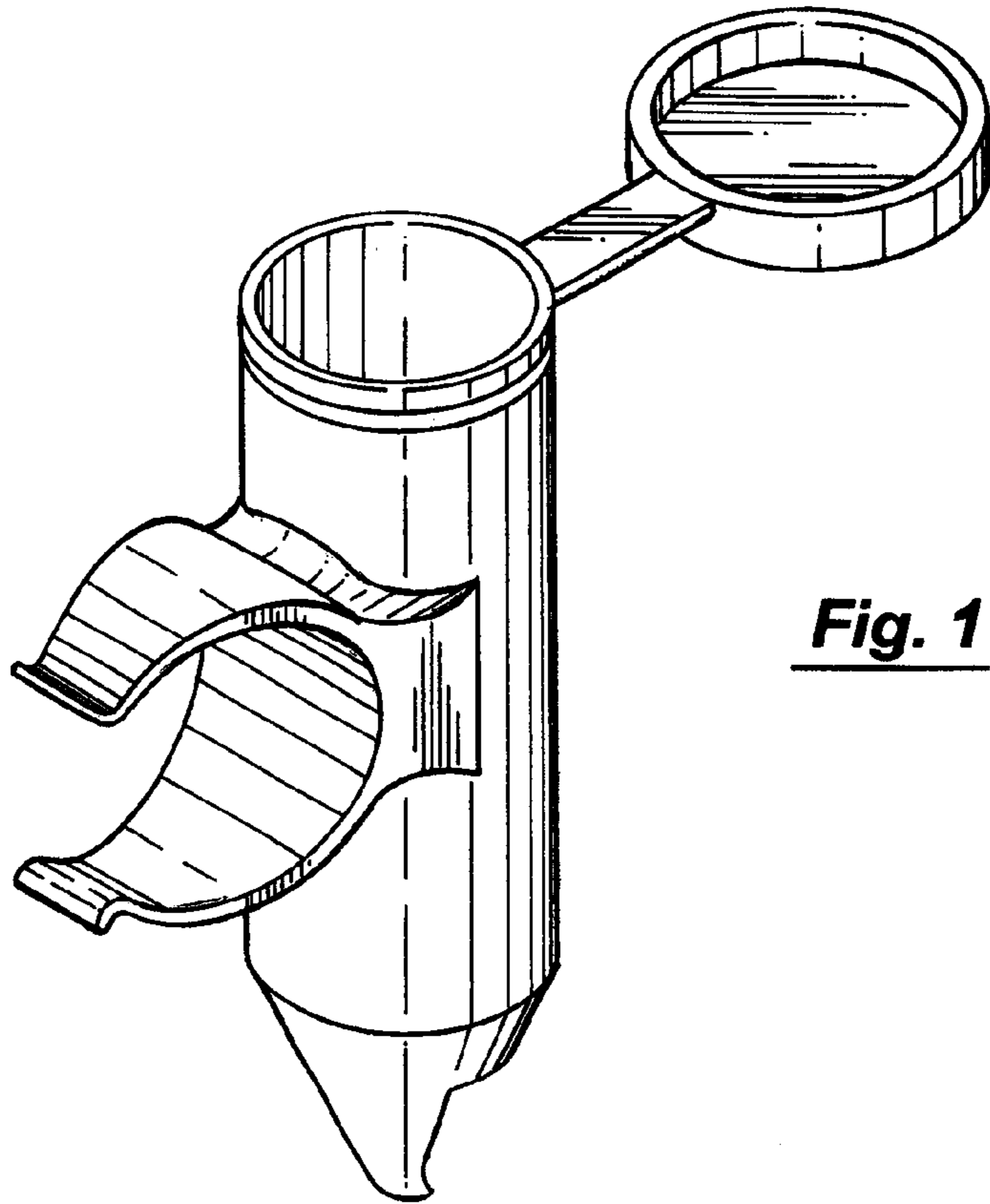


Fig. 1

Fig. 2

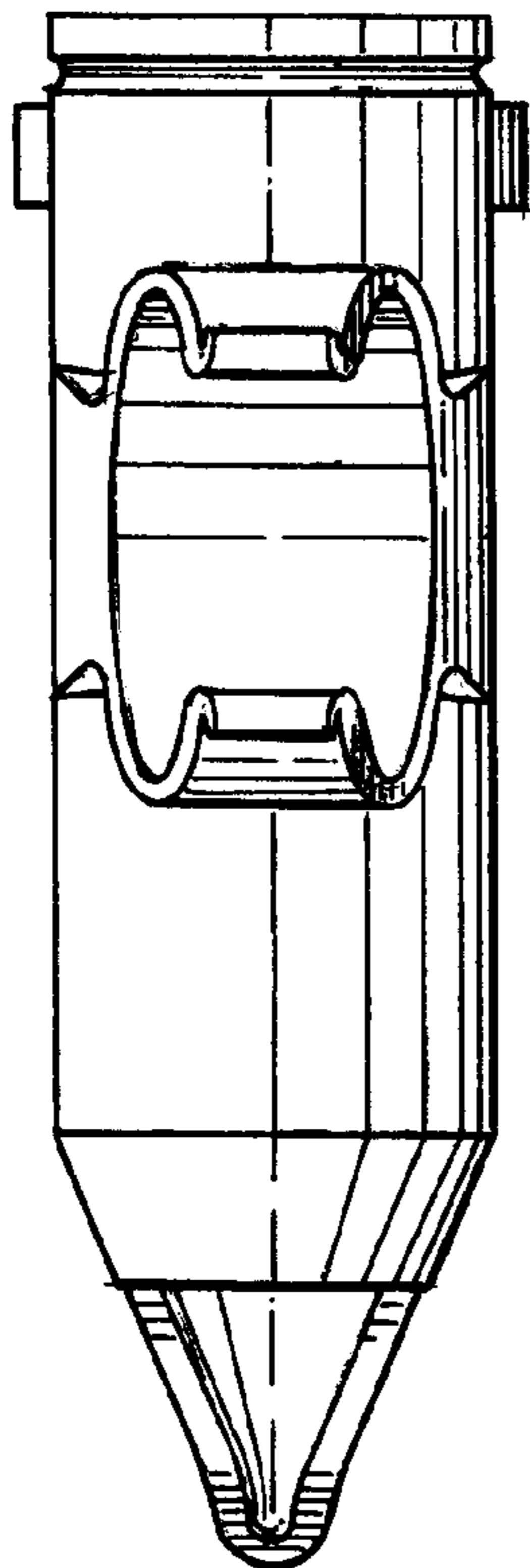


Fig. 3

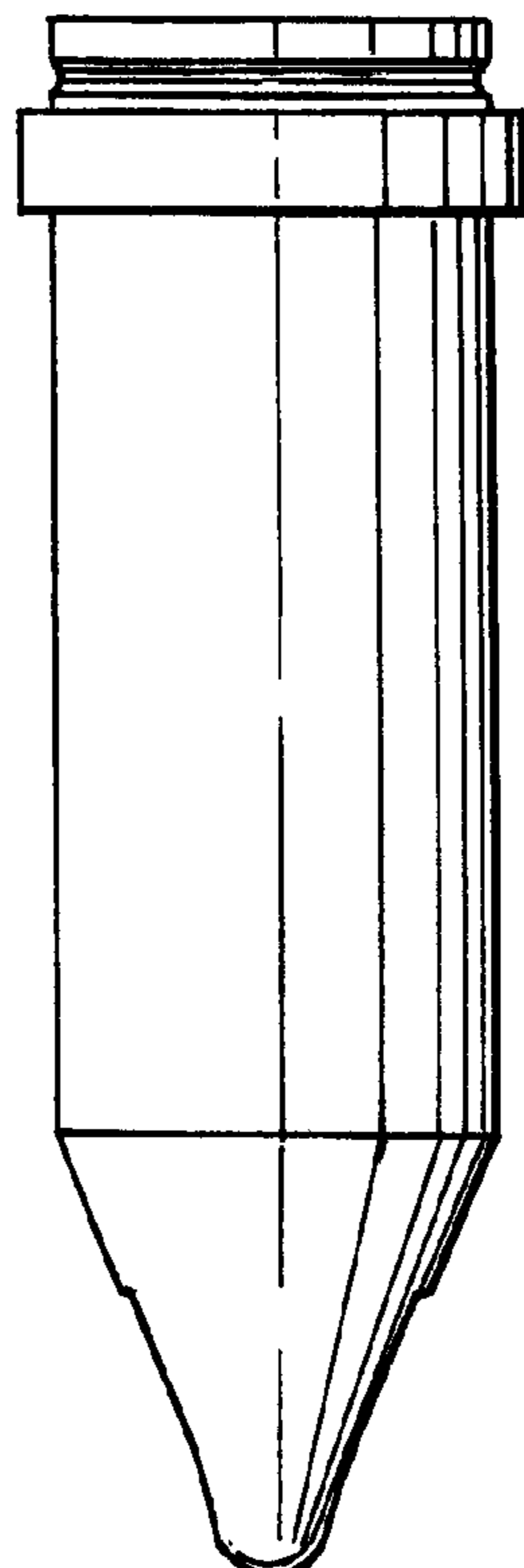


Fig. 4

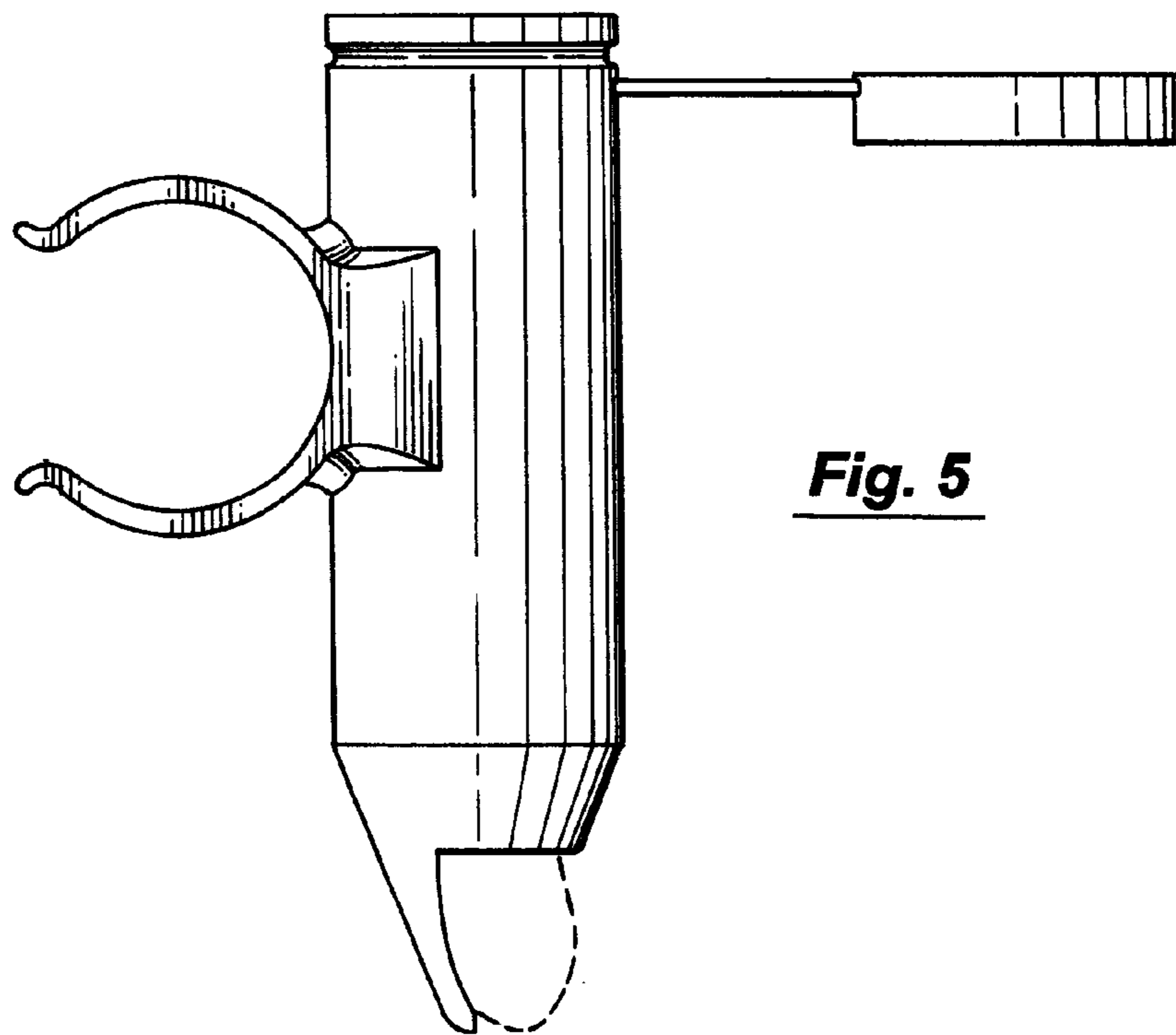
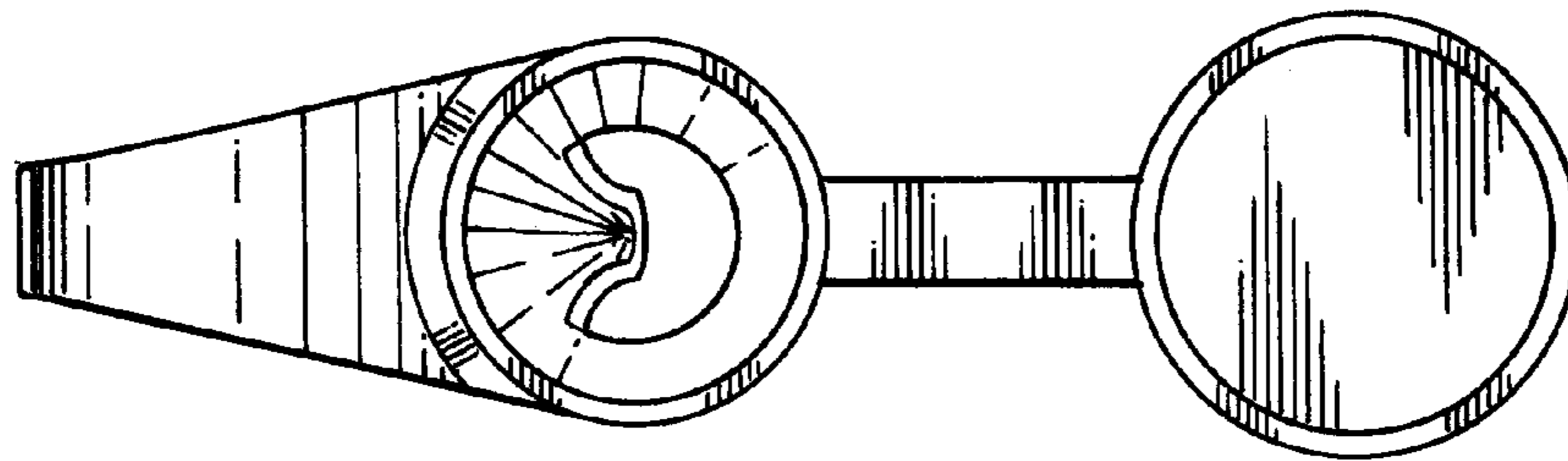


Fig. 5

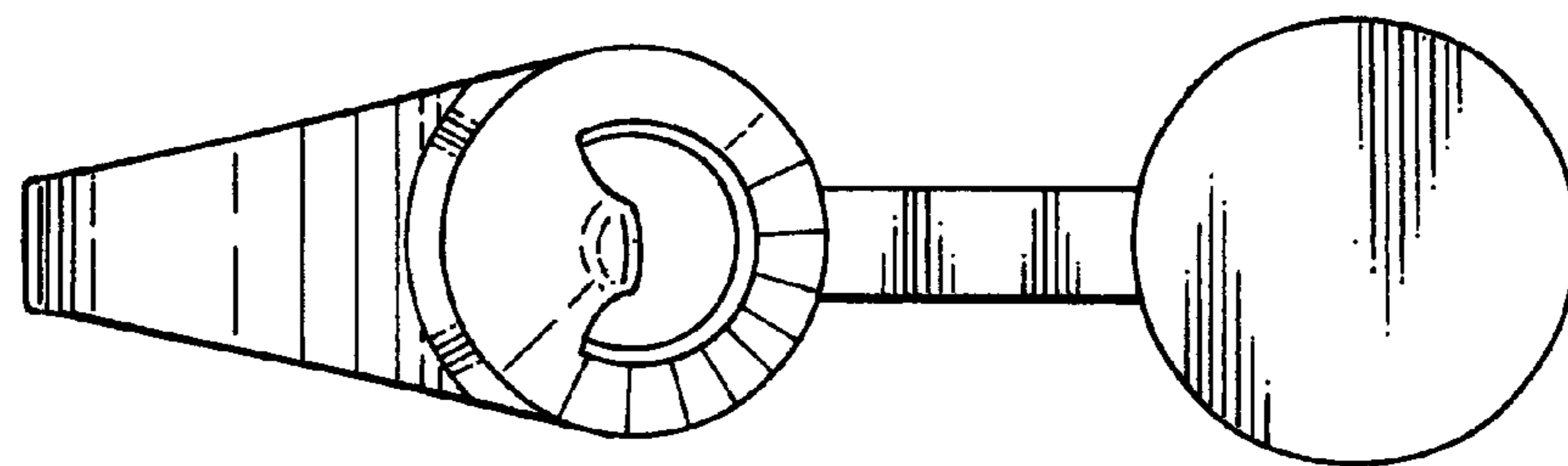


Fig. 6