



US00D525012S

(12) **United States Design Patent**  
**Valentin**

(10) **Patent No.:** **US D525,012 S**  
(45) **Date of Patent:** **\*\* Jul. 18, 2006**

(54) **MULTI-PIECE BRA**  
(75) Inventor: **Tara J. Valentin**, Albany, NY (US)  
(73) Assignee: **Creative Bra Designs LLC**, Albany, NY (US)  
(\*\*) Term: **14 Years**

6,306,006 B1 \* 10/2001 Cheng ..... 450/57  
6,338,665 B1 1/2002 Dawson et al.  
6,371,831 B1 4/2002 Dodge  
6,383,055 B1 5/2002 Valentin  
6,397,391 B1 6/2002 DeMarco  
D485,965 S \* 2/2004 Slimak et al. .... D2/706  
6,780,081 B1 \* 8/2004 Chen et al. .... 450/81  
2002/0187727 A1 12/2002 Pinna  
2003/0129923 A1 7/2003 Chong

(21) Appl. No.: **29/202,935**  
(22) Filed: **Apr. 7, 2004**

**OTHER PUBLICATIONS**

Support Quest, Inc., "Simply Up", 1996, pp. 1-3.

\* cited by examiner

*Primary Examiner*—Ian Simmons

*Assistant Examiner*—Sarah Gill

(74) *Attorney, Agent, or Firm*—Ronald A. D'Alessandro; Hoffman, Warnick & D'Alessandro LLC

(51) **LOC (8) Cl.** ..... **02-01**  
(52) **U.S. Cl.** ..... **D2/706**  
(58) **Field of Classification Search** ..... D2/700-710,  
D2/796; 2/2.11-2.17, 227; 450/1-155; 5/413;  
600/549; 602/19-68; 604/345-396; 623/7;  
66/177; D11/121-210; D20/11; D21/420-805  
See application file for complete search history.

(57) **CLAIM**

The ornamental design for a multi-piece bra, as shown and described.

(56) **References Cited**

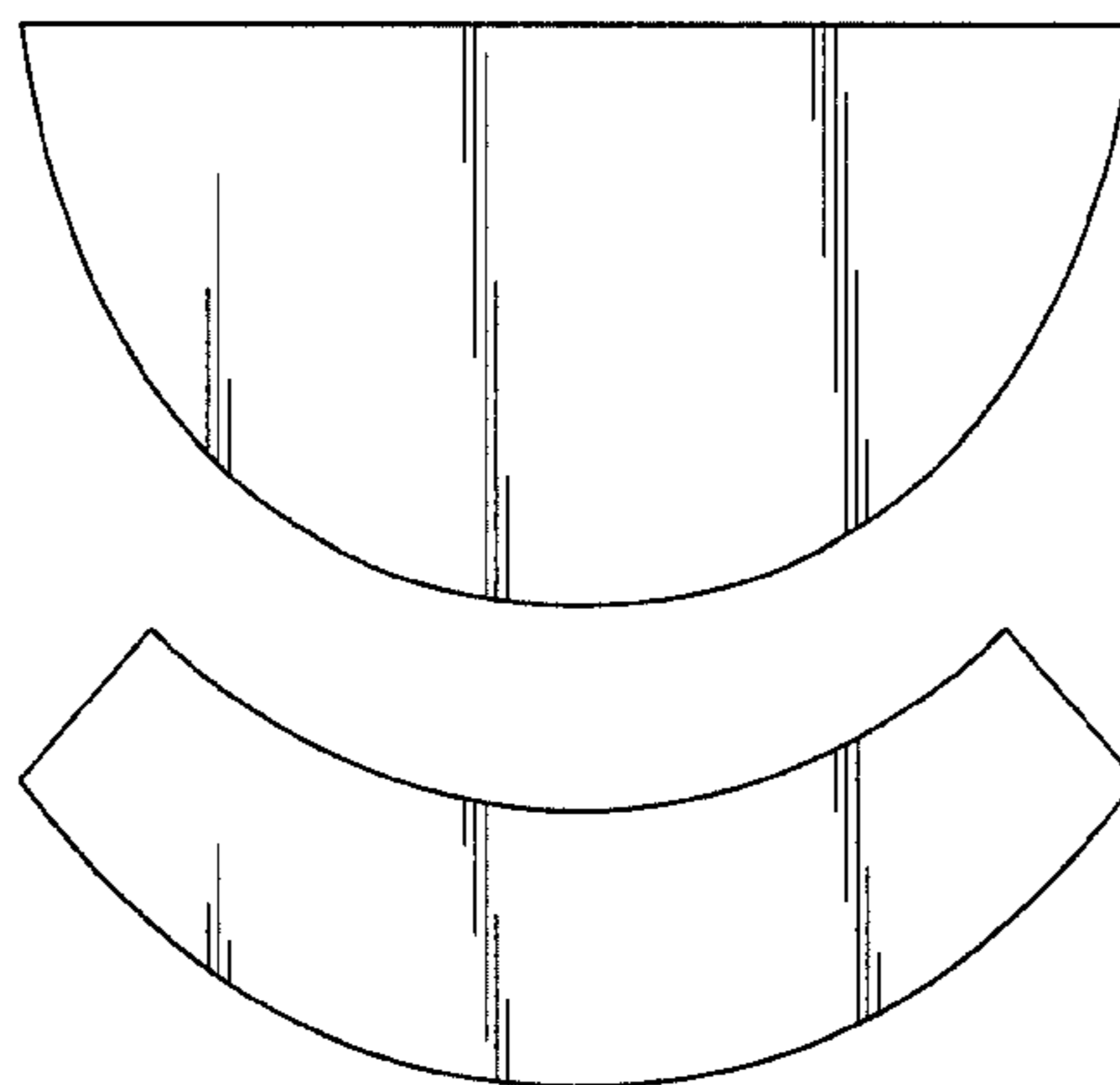
**DESCRIPTION**

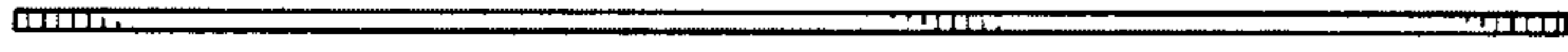
**U.S. PATENT DOCUMENTS**

212,184 A \* 2/1879 Bryson ..... 450/57  
419,279 A \* 1/1890 Myers ..... 212/115  
2,267,365 A \* 12/1941 Blum ..... 450/41  
2,435,860 A \* 2/1948 Wilkenfeld et al. .... 450/57  
2,578,954 A \* 12/1951 Van Leuven, Jr. .... 450/49  
2,630,119 A \* 3/1953 Aagesen ..... 604/374  
2,664,571 A \* 1/1954 Kempel ..... 450/57  
2,701,879 A \* 2/1955 Bennett ..... 450/52  
2,728,079 A \* 12/1955 Williams ..... 450/81  
2,869,553 A 1/1959 D'Or  
3,280,818 A \* 10/1966 Pankey et al. .... 450/81  
3,934,593 A \* 1/1976 Mellinger ..... 450/56  
4,333,471 A \* 6/1982 Nakai ..... 450/81  
4,992,074 A 2/1991 Diaz  
5,755,611 A 5/1998 Noble et al.  
5,806,103 A \* 9/1998 McCracken et al. .... 2/455  
5,998,693 A 12/1999 Zagame  
6,183,340 B1 2/2001 Wen  
6,224,458 B1 \* 5/2001 Chen ..... 450/57  
6,231,423 B1 \* 5/2001 Deal et al. .... 450/57  
6,257,952 B1 7/2001 Valentin  
6,283,820 B1 \* 9/2001 Huang ..... 450/57  
6,299,505 B1 \* 10/2001 Huang ..... 450/57

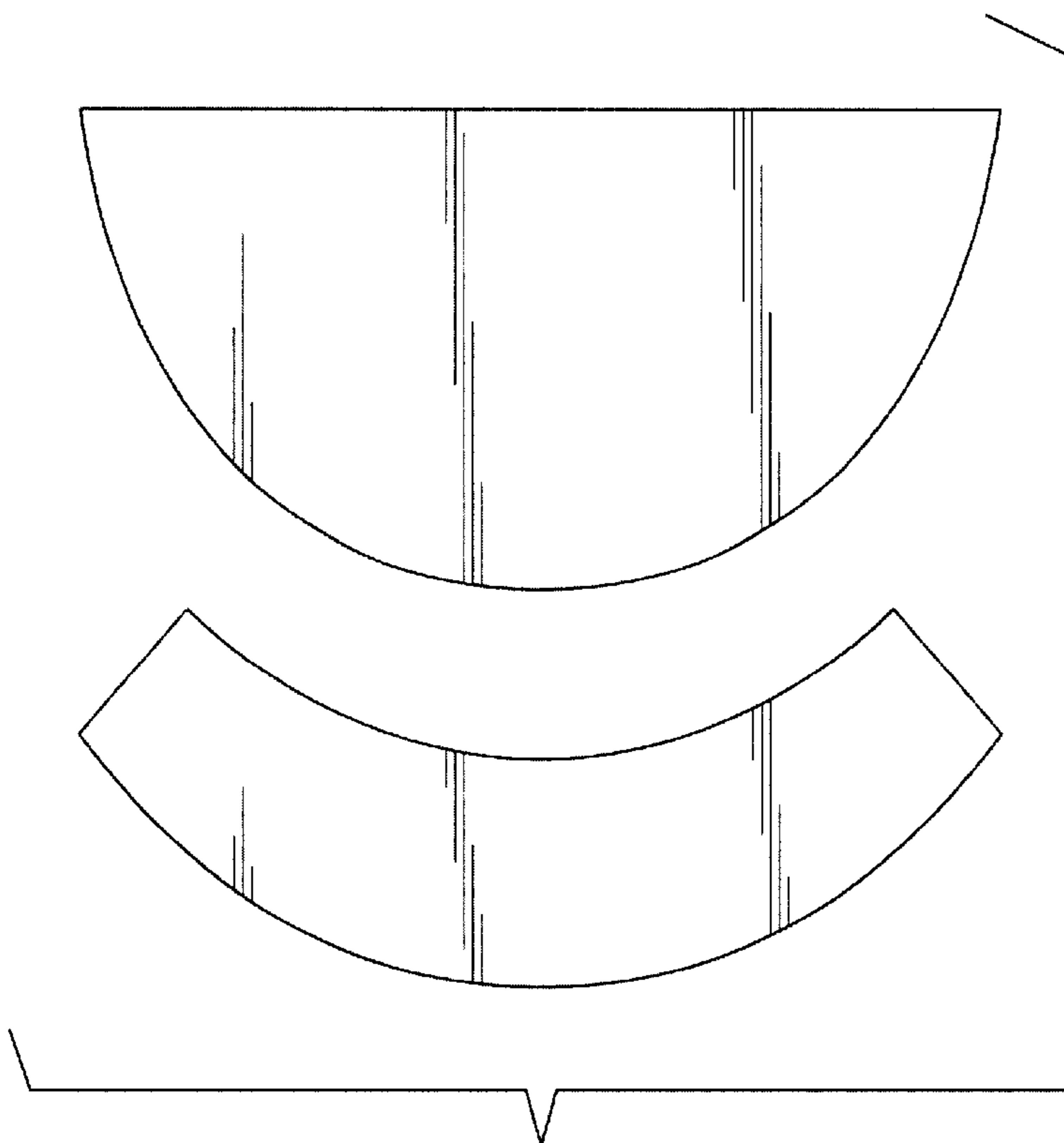
FIG. 1 is a front view of a multi-piece bra, showing my new design;  
FIG. 2 is a top view thereof;  
FIG. 3 is a side view thereof;  
FIG. 4 is a front view of a second embodiment of a multi-piece bra;  
FIG. 5 is a top view thereof;  
FIG. 6 is a side view thereof;  
FIG. 7 is a front view of a third embodiment of a multi-piece bra;  
FIG. 8 is a top view thereof;  
FIG. 9 is a side view thereof;  
FIG. 10 is a front view of a fourth embodiment of a multi-piece bra;  
FIG. 11 is a top view thereof;  
FIG. 12 is a side view thereof;  
FIG. 13 is a front view of a fifth embodiment of a multi-piece bra;  
FIG. 14 is a top view thereof; and,  
FIG. 15 is a side view thereof.

**1 Claim, 5 Drawing Sheets**

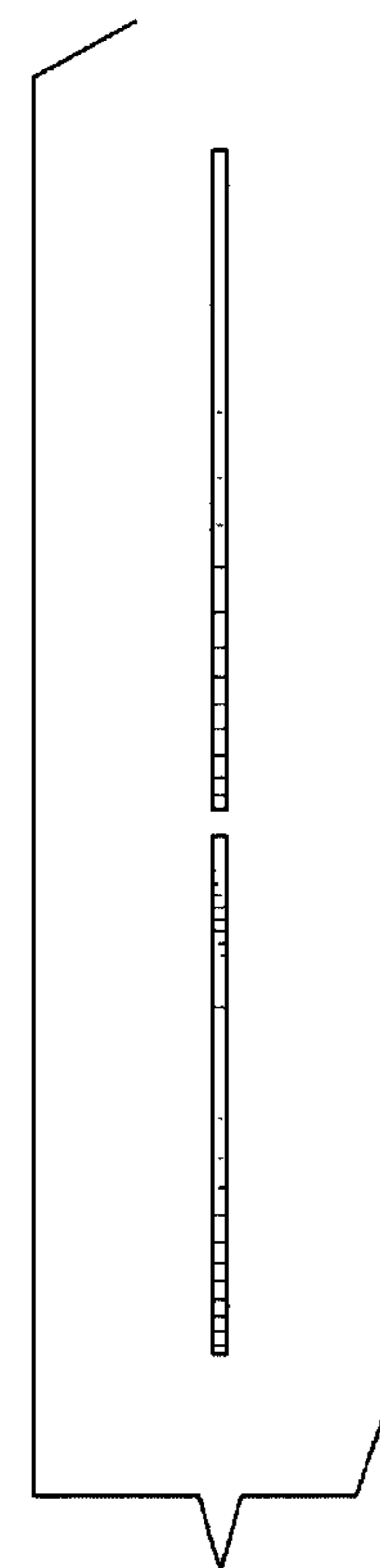




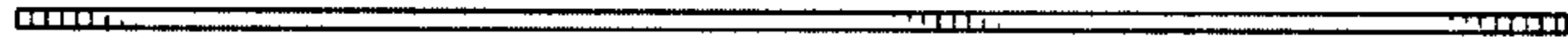
**FIG. 2**



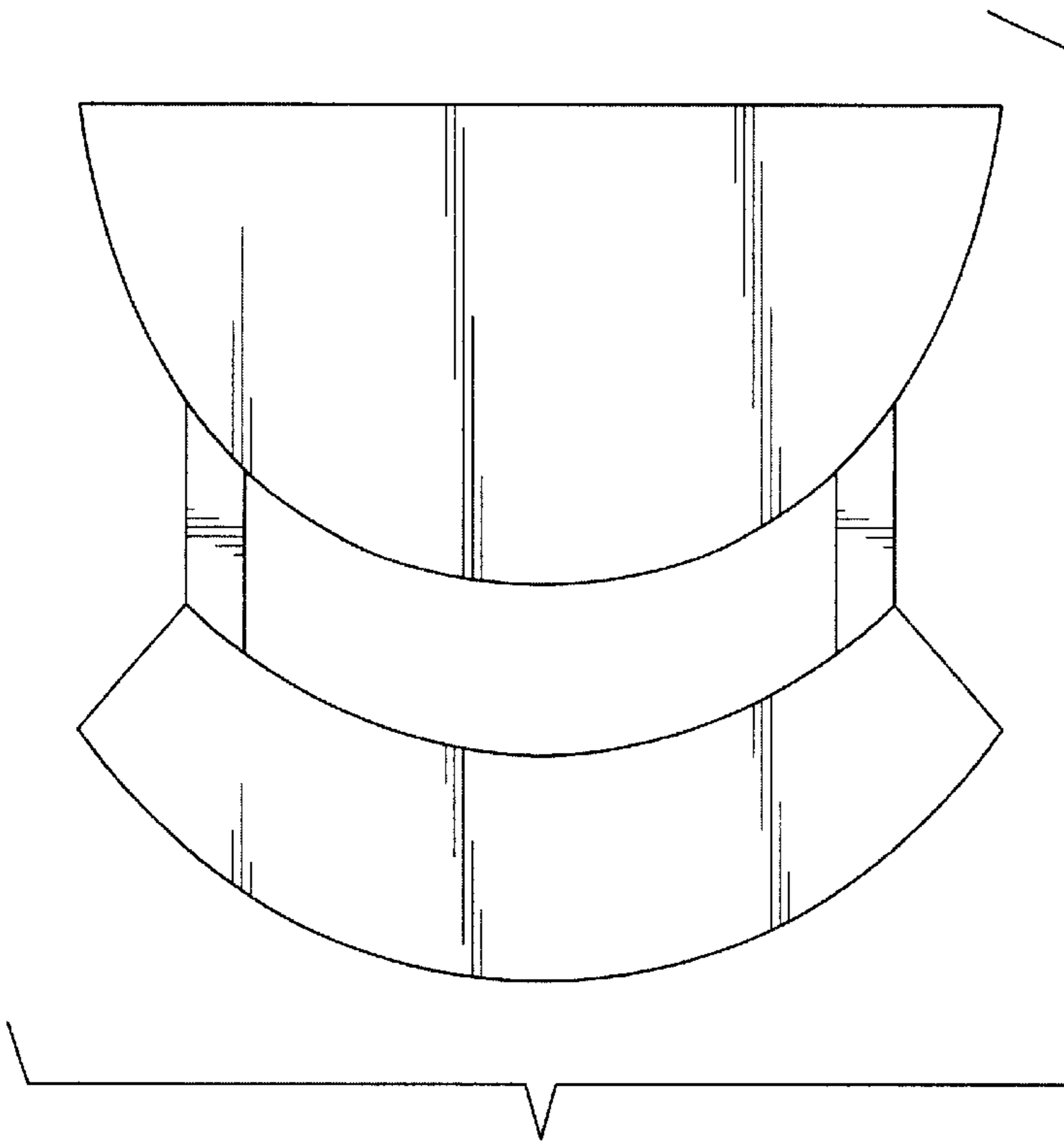
**FIG. 1**



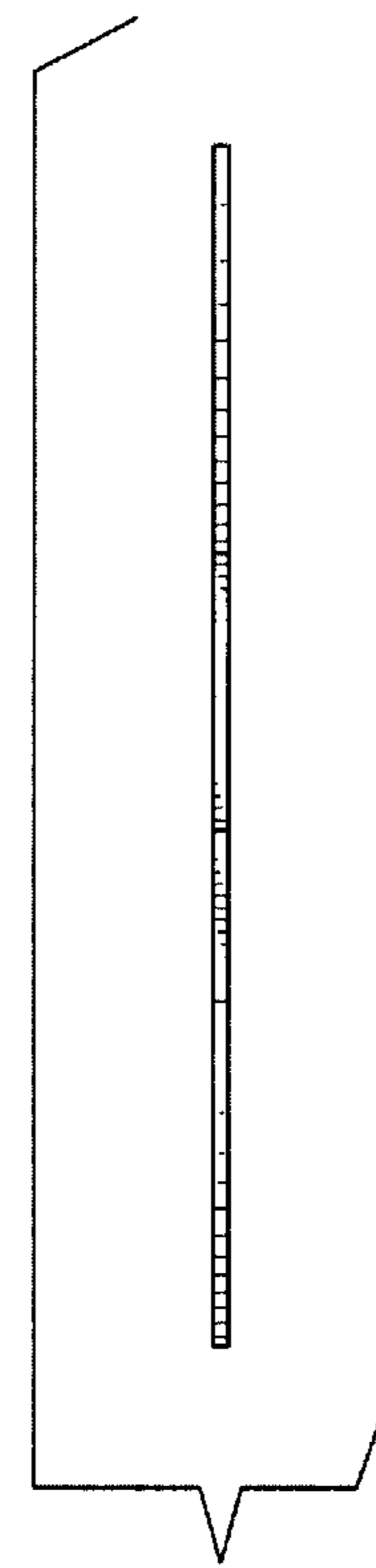
**FIG. 3**



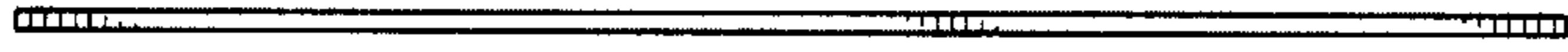
**FIG. 5**



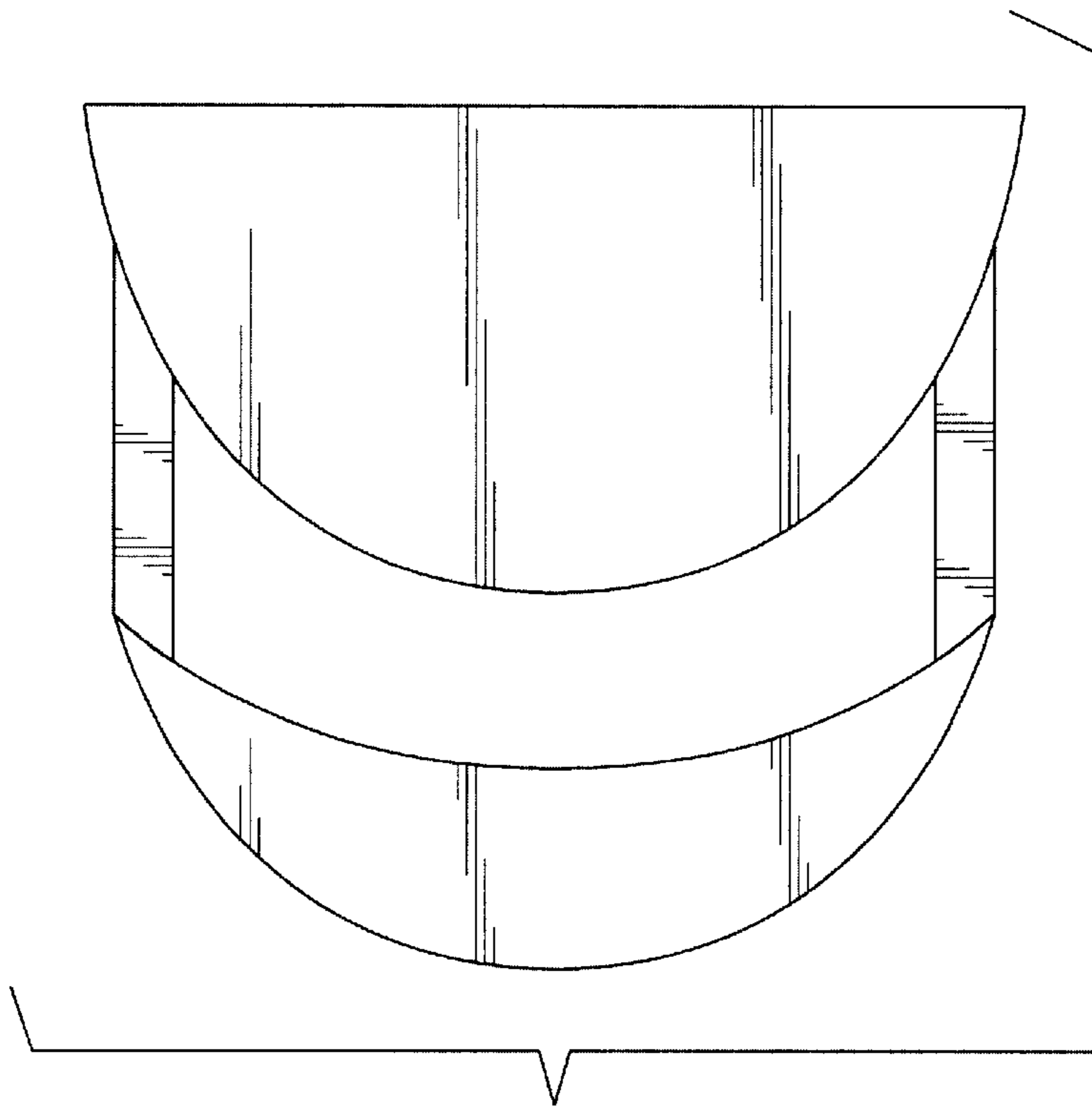
**FIG. 4**



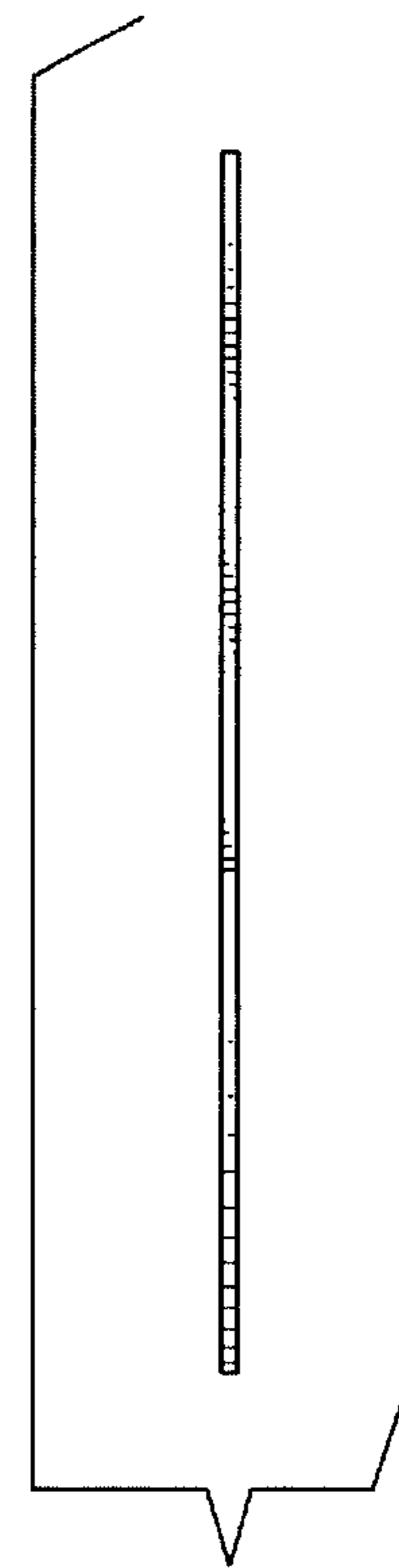
**FIG. 6**



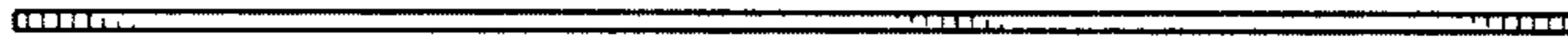
**FIG. 8**



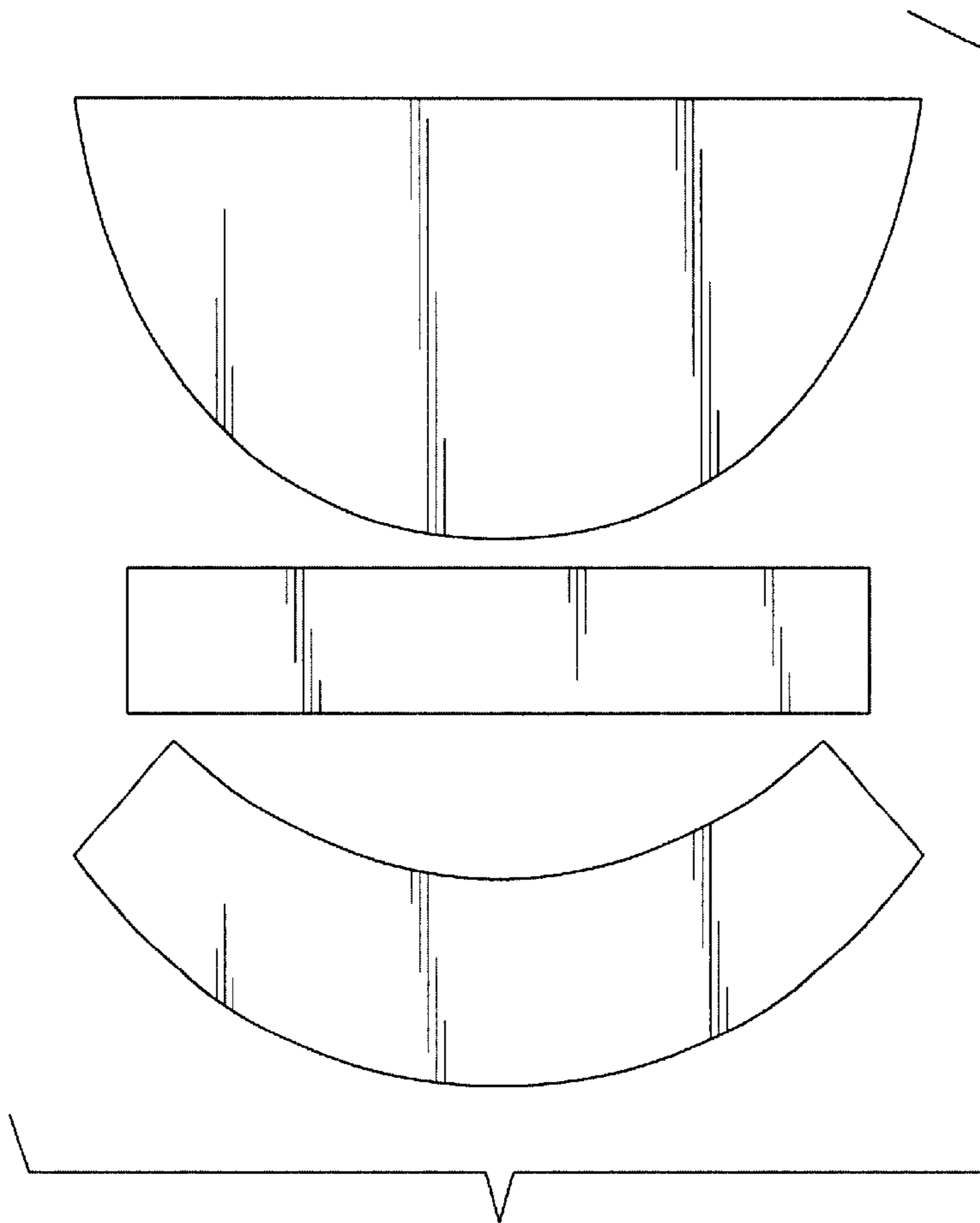
**FIG. 7**



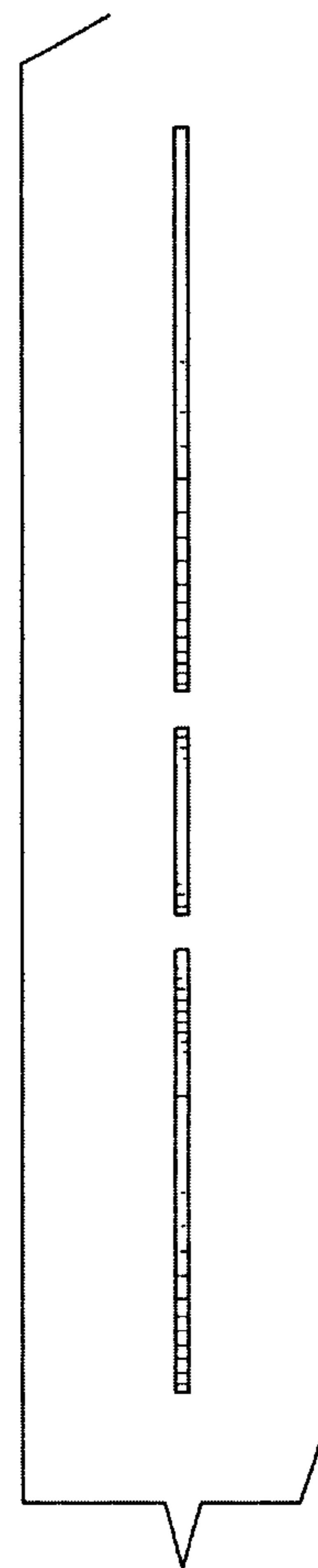
**FIG. 9**



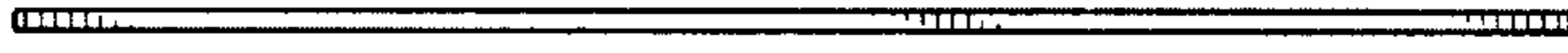
**FIG. 11**



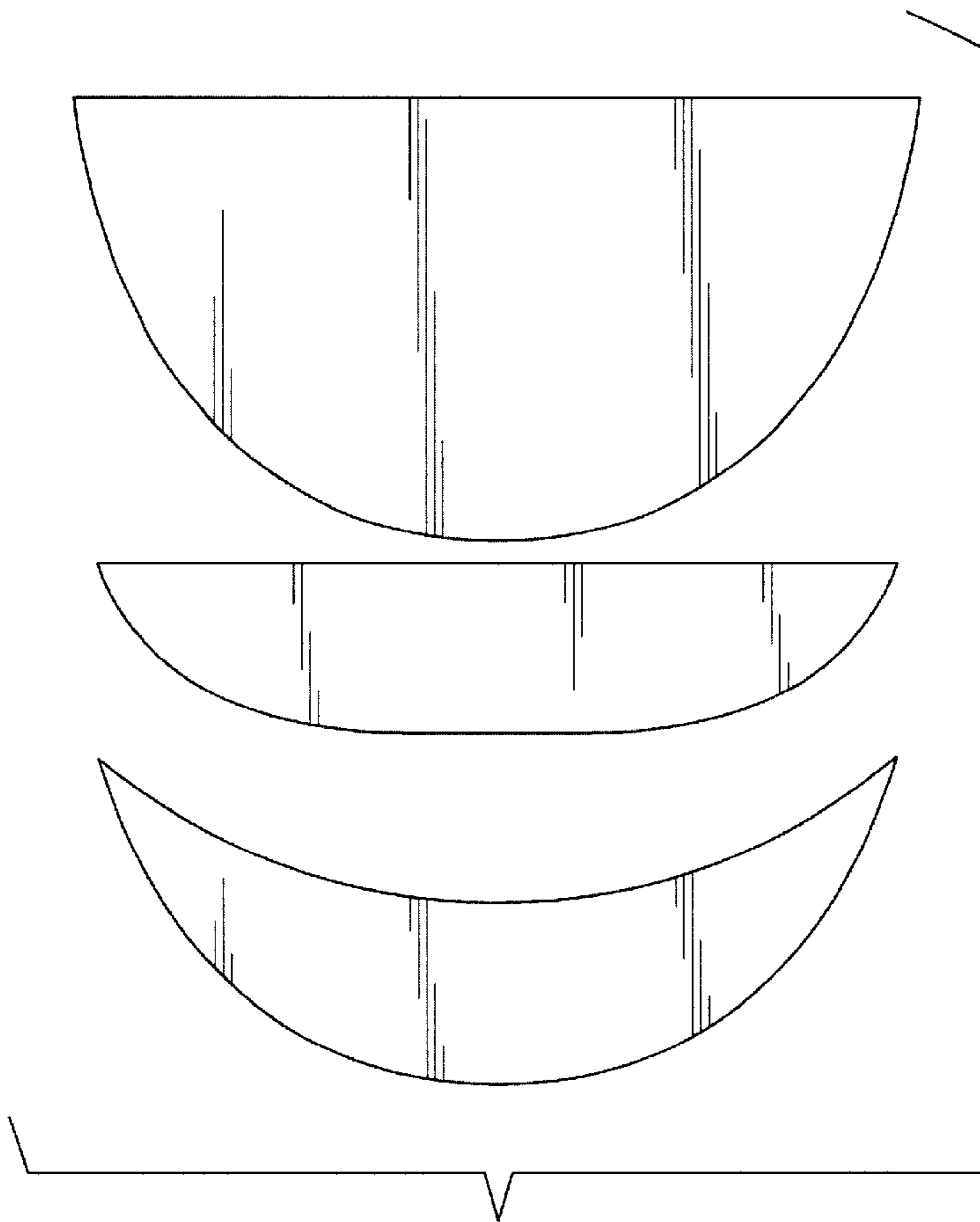
**FIG. 10**



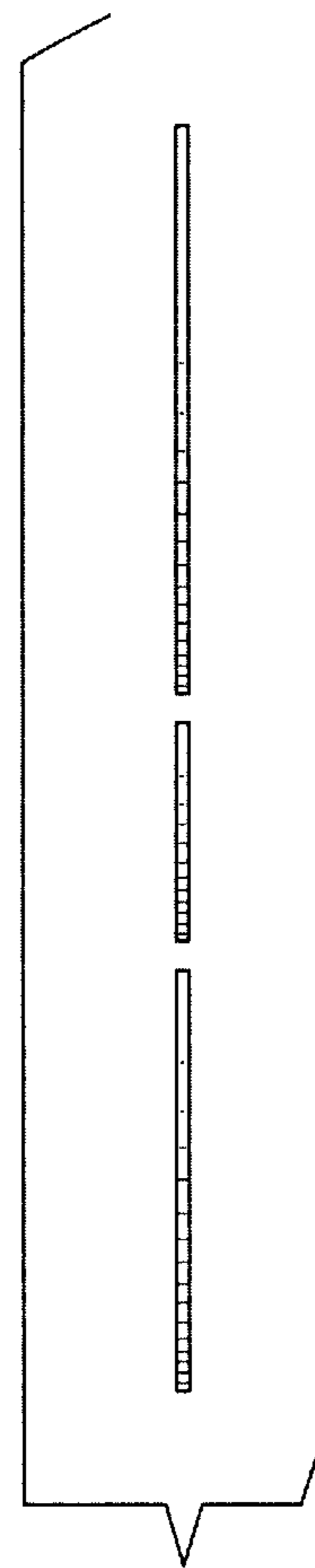
**FIG. 12**



**FIG. 14**



**FIG. 13**



**FIG. 15**