

US00D525006S

(12) **United States Design Patent**  
**Bothun et al.**

(10) **Patent No.:** **US D525,006 S**  
(45) **Date of Patent:** **\*\* Jul. 11, 2006**

(54) **MODULAR STORAGE UNIT**

(75) Inventors: **Richard A. Bothun**, Owatonna, MN (US); **Frederick A. Mather**, Owatonna, MN (US); **Marty L. Prins**, Owatonna, MN (US); **Craig J. Ulrich**, Owatonna, MN (US); **Michael D. Jines**, Northfield, MN (US); **Gregg S. Nelson**, Northfield, MN (US); **Mark E. Gallea**, Waseca, MN (US)

(73) Assignee: **Wenger Corporation**, Owatonna, MN (US)

(\*\*) Term: **14 Years**

(21) Appl. No.: **29/217,449**

(22) Filed: **Nov. 17, 2004**

(51) **LOC (8) Cl.** ..... **12-02**

(52) **U.S. Cl.** ..... **D34/21**

(58) **Field of Classification Search** ..... D34/12-27;  
312/201, 198, 199, 200, 240; 104/242, 248;  
211/162, 62, 13.1, 70.2; 280/79.11, 47.18,  
280/47.34, 47.35; D6/447, 552, 396, 449,  
D6/462, 463, 465, 466, 467; 108/59  
See application file for complete search history.

(56) **References Cited**

**U.S. PATENT DOCUMENTS**

1,033,630	A	7/1912	Sowers	
1,216,444	A *	2/1917	Hannold	211/62
2,166,704	A	7/1939	Foulkes	
2,336,686	A	12/1943	Hudash	
2,604,334	A *	7/1952	Schultz	280/47.35
2,772,639	A	12/1956	Ingold	
2,896,549	A *	7/1959	Swanson	104/135
2,904,383	A	7/1959	Potts	
2,915,195	A	12/1959	Crosby	
2,987,200	A	6/1961	Ingold	
3,080,204	A	3/1963	Lindhgren	
3,145,031	A	8/1964	Wilkinson	
3,188,977	A	6/1965	Viktorsson	
3,198,592	A	8/1965	Zippel	

3,286,651	A	11/1966	Dahl, Jr.	
3,407,989	A *	10/1968	Mondineu	220/6
3,427,085	A	2/1969	Staller	
3,540,614	A *	11/1970	Flagg	220/4.28
3,563,180	A	2/1971	Rutledge	
3,563,400	A	2/1971	Greaves	

(Continued)

**OTHER PUBLICATIONS**

Case Study, Spacesaver Corporation, SC 9889, Aug. 1998, 2 pages.

Case Study, Spacesaver Corporation, SC 9889A, Aug. 1998, 1 page.

Spacesaver Corporation Advertisement, undated, 1 page.

*Primary Examiner*—Freda Nunn

*Assistant Examiner*—Kevin K. Rudzinski

(74) *Attorney, Agent, or Firm*—Patterson, Thunte, Skaar & Christensen, P.A.

(57) **CLAIM**

We claim the ornamental design for modular storage unit, as shown and described.

**DESCRIPTION**

FIG. 1 is a front left perspective view of a modular storage unit according to an embodiment of the invention. The right side is a mirror image of the left side.

FIG. 2 is a front side elevational view of a modular storage unit according to an embodiment of the invention.

FIG. 3 is a rear side elevational view of a modular storage unit according to an embodiment of the invention.

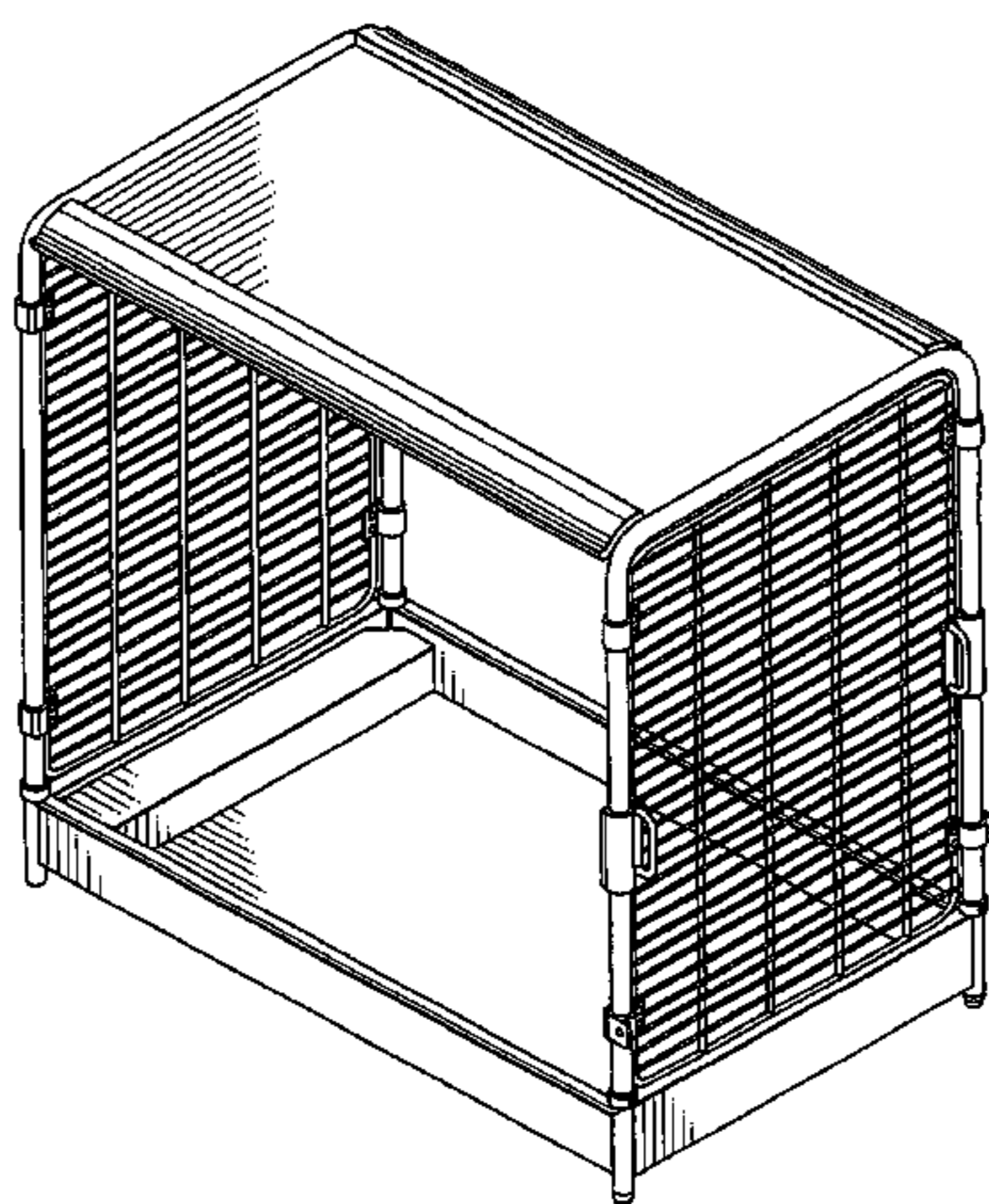
FIG. 4 is a left side elevational view of a modular storage unit according to an embodiment of the invention. The right side is a mirror image of the left side.

FIG. 5 is a top view of a modular storage unit according to an embodiment of the invention.

FIG. 6 is a bottom view of a modular storage unit according to an embodiment of the invention; and,

FIG. 7 is a front left perspective view of a modular storage unit according to an embodiment of the invention. The right side is a mirror image of the left side.

**1 Claim, 6 Drawing Sheets**



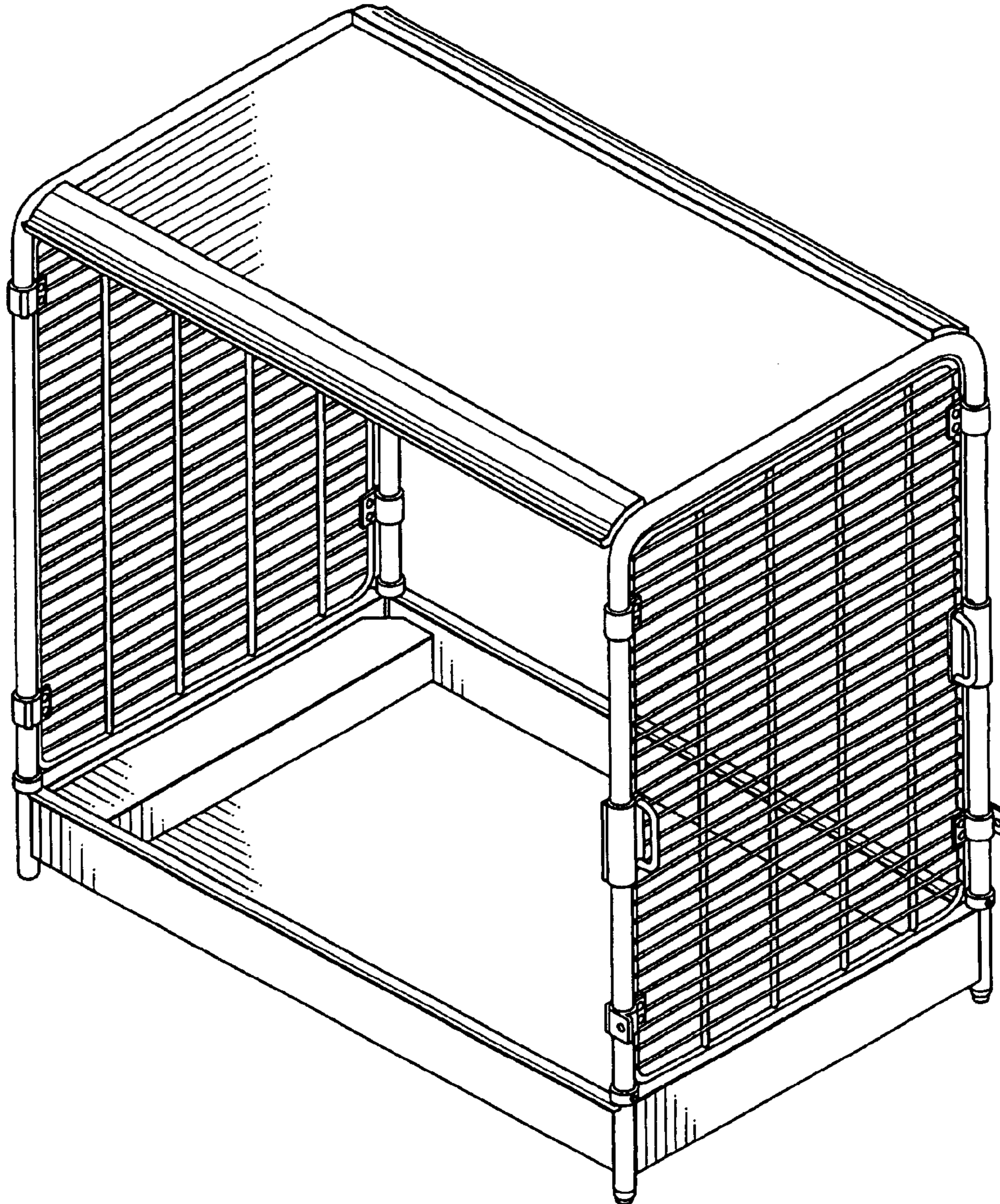
# US D525,006 S

U.S. PATENT DOCUMENTS			
3,566,802 A	3/1971	Lundgvist	5,303,828 A 4/1994 Paullin
3,575,479 A	4/1971	Kombuchen	D353,285 S 12/1994 Spirk, Jr. et al.
3,589,522 A	6/1971	Chiodo	5,377,849 A 1/1995 Martin
3,640,595 A	2/1972	Staller et al.	5,439,281 A 8/1995 Croker
3,650,407 A	3/1972	Benham, Jr.	5,454,441 A 10/1995 Jines
3,724,389 A	4/1973	Greaves	D365,716 S 1/1996 Rose, Sr.
3,801,176 A	4/1974	Higbee	D374,363 S 10/1996 Puzo
3,802,573 A	4/1974	Davis et al.	5,651,469 A 7/1997 Lodge
3,829,189 A	8/1974	Staller	5,657,883 A 8/1997 Badia
3,861,702 A *	1/1975	Wilson ..... 280/33.996	5,680,942 A 10/1997 McAllister et al.
3,865,446 A	2/1975	Mastronardi	5,683,155 A 11/1997 Sarno
3,869,137 A	3/1975	Byrom	5,685,440 A 11/1997 Mason
3,876,223 A	4/1975	O'Reilly et al.	5,690,235 A 11/1997 Matzen
3,880,336 A	4/1975	Demasson	D392,486 S 3/1998 Hsia
3,890,903 A	6/1975	Showell	D393,553 S * 4/1998 Beggs ..... D6/476
3,923,354 A	12/1975	Young	D394,926 S 6/1998 Lindsay
3,944,309 A	3/1976	Taniwaki	5,788,070 A 8/1998 Banker
3,957,323 A	5/1976	Tucker et al.	5,797,612 A 8/1998 Buccioni
3,967,868 A	7/1976	Baker, Jr.	D398,460 S * 9/1998 Gerstner ..... D6/463
4,017,131 A	4/1977	Camenisch	D398,469 S 9/1998 Leong et al.
4,023,818 A *	5/1977	Troller ..... 280/79.11	D401,458 S 11/1998 Hsia
4,033,649 A	7/1977	Naito et al.	5,848,716 A 12/1998 Waranius
4,084,125 A	4/1978	King	5,862,924 A 1/1999 Dumont
4,126,327 A	11/1978	Taber	5,871,105 A 2/1999 Whitehead et al.
4,227,710 A	10/1980	Laub	6,027,190 A 2/2000 Stewart et al.
4,256,355 A	3/1981	Yamaguchi et al.	D421,866 S 3/2000 Long
4,307,922 A	12/1981	Rhodes, Jr.	D425,723 S * 5/2000 Hurt ..... D6/400
4,344,660 A	8/1982	Molnar et al.	6,073,783 A 6/2000 Allman
4,372,514 A	2/1983	Glumac	D429,094 S 8/2000 Solowiej
4,412,772 A	11/1983	Naito et al.	6,112,917 A 9/2000 Baker et al.
4,417,524 A	11/1983	Quinn et al.	6,161,485 A 12/2000 Muth
4,418,930 A	12/1983	Ryan, Jr.	6,164,465 A 12/2000 Schroeder
4,421,365 A	12/1983	Taniwaki	6,216,887 B1 4/2001 Soo
4,422,816 A	12/1983	Naito et al.	6,231,138 B1 5/2001 Janson
4,432,589 A	2/1984	Sattel	6,241,106 B1 6/2001 Fujita et al.
4,441,617 A	4/1984	Forsberg	6,247,769 B1 6/2001 Spitzer et al.
4,462,500 A	7/1984	Konstant et al.	6,371,031 B1 4/2002 Muth
4,467,924 A	8/1984	Morcheles	6,394,267 B1 * 5/2002 Craig ..... 206/321
4,557,534 A	12/1985	Dahnert	D459,931 S 7/2002 Mahoney
4,561,547 A	12/1985	Estwanik, III	D460,652 S 7/2002 Mahoney
4,583,647 A	4/1986	Schinzing	6,431,627 B1 8/2002 Tomeny
4,597,615 A	7/1986	Steger	6,460,950 B1 10/2002 Spitzer et al.
4,627,544 A	12/1986	Scarpa et al.	6,547,085 B1 4/2003 Belisle
4,629,065 A	12/1986	Braaten	D476,183 S 6/2003 Bennett
D289,479 S *	4/1987	Brancher ..... D6/511	6,591,994 B1 7/2003 Bearss
4,802,622 A	2/1989	Homan	D479,423 S 9/2003 Mahoney
4,807,765 A	2/1989	Brown et al.	6,644,213 B1 11/2003 Muth
4,936,467 A	6/1990	Bobeczco	6,669,314 B1 12/2003 Nemec et al.
4,941,578 A	7/1990	Devening	6,688,708 B1 2/2004 Janson
5,054,625 A	10/1991	Foley	6,752,278 B1 6/2004 Craft et al.
5,085,327 A	2/1992	Mercer, Jr. et al.	D499,921 S * 12/2004 Moon et al. .... D6/552
5,160,189 A	11/1992	Johnston et al.	

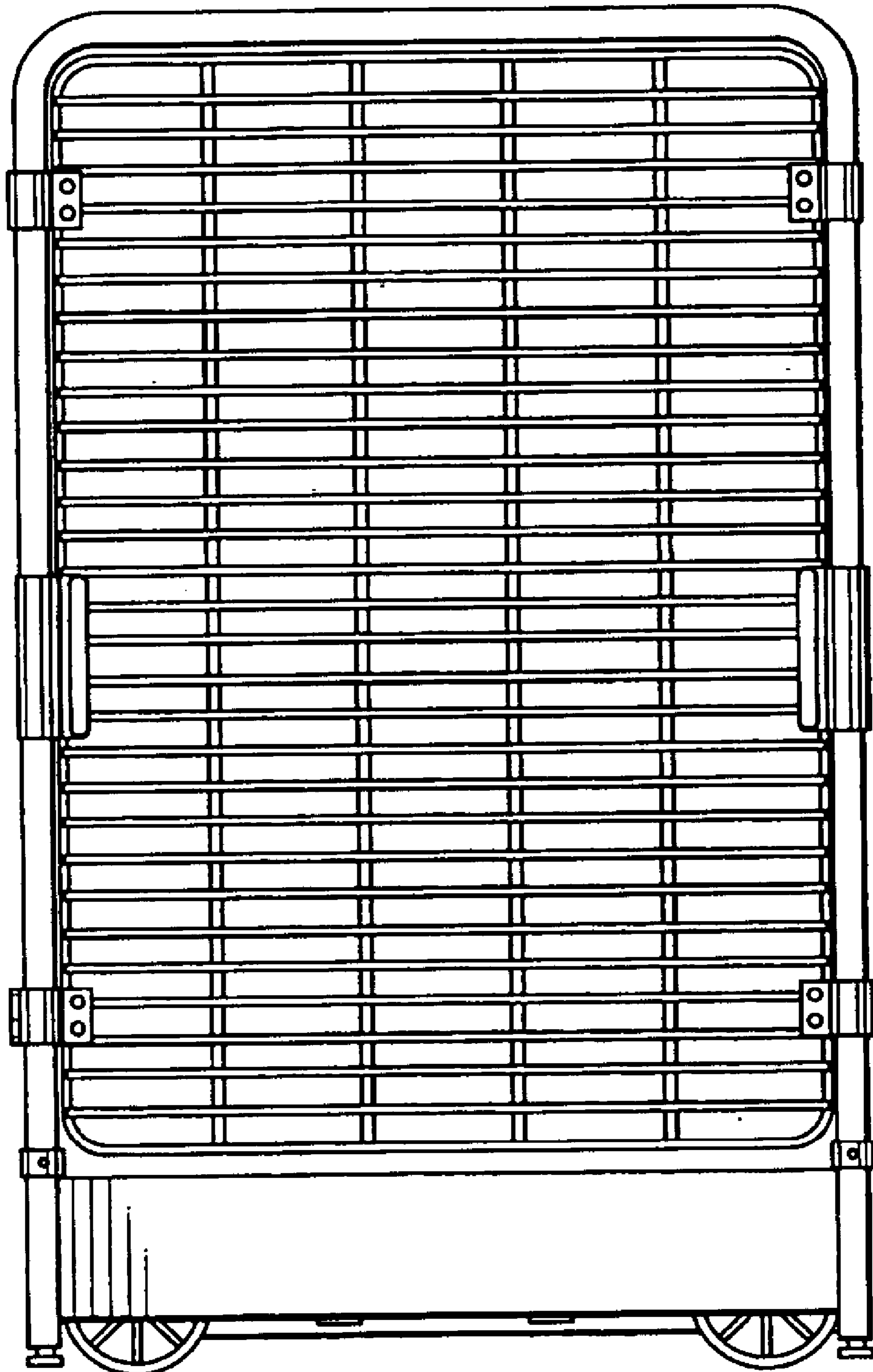
\* cited by examiner



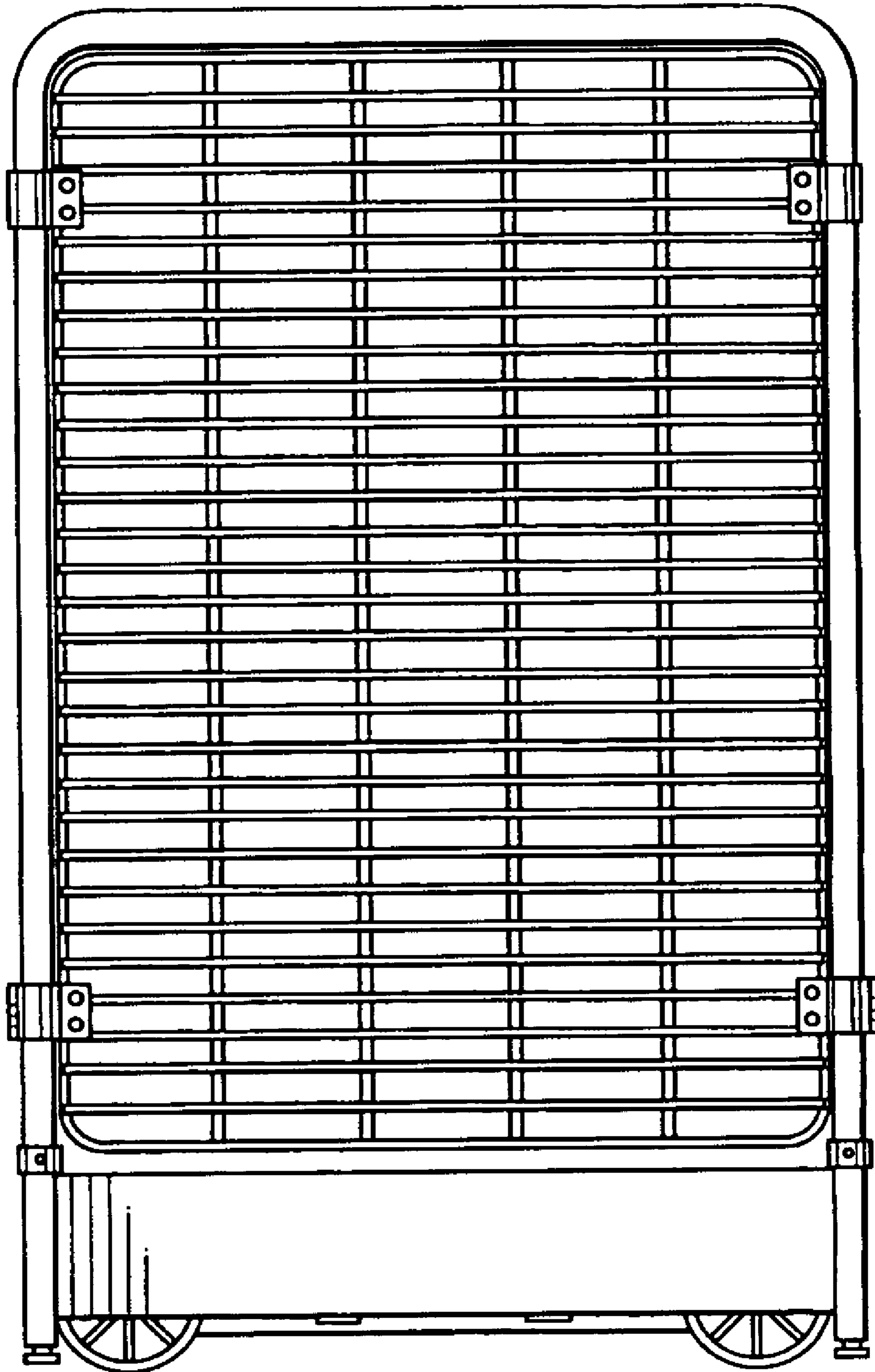
**Fig. 1**



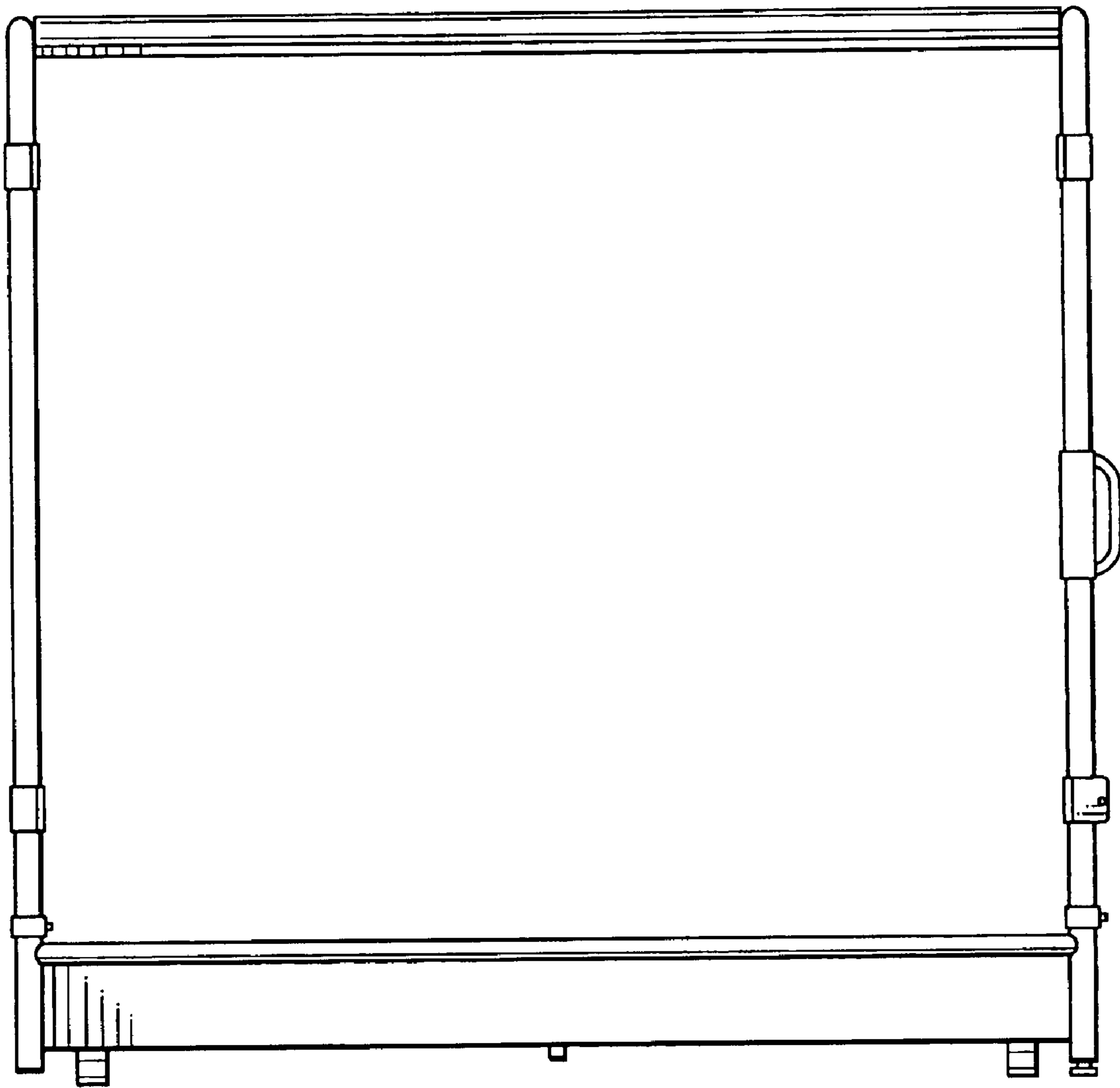
**Fig. 2**



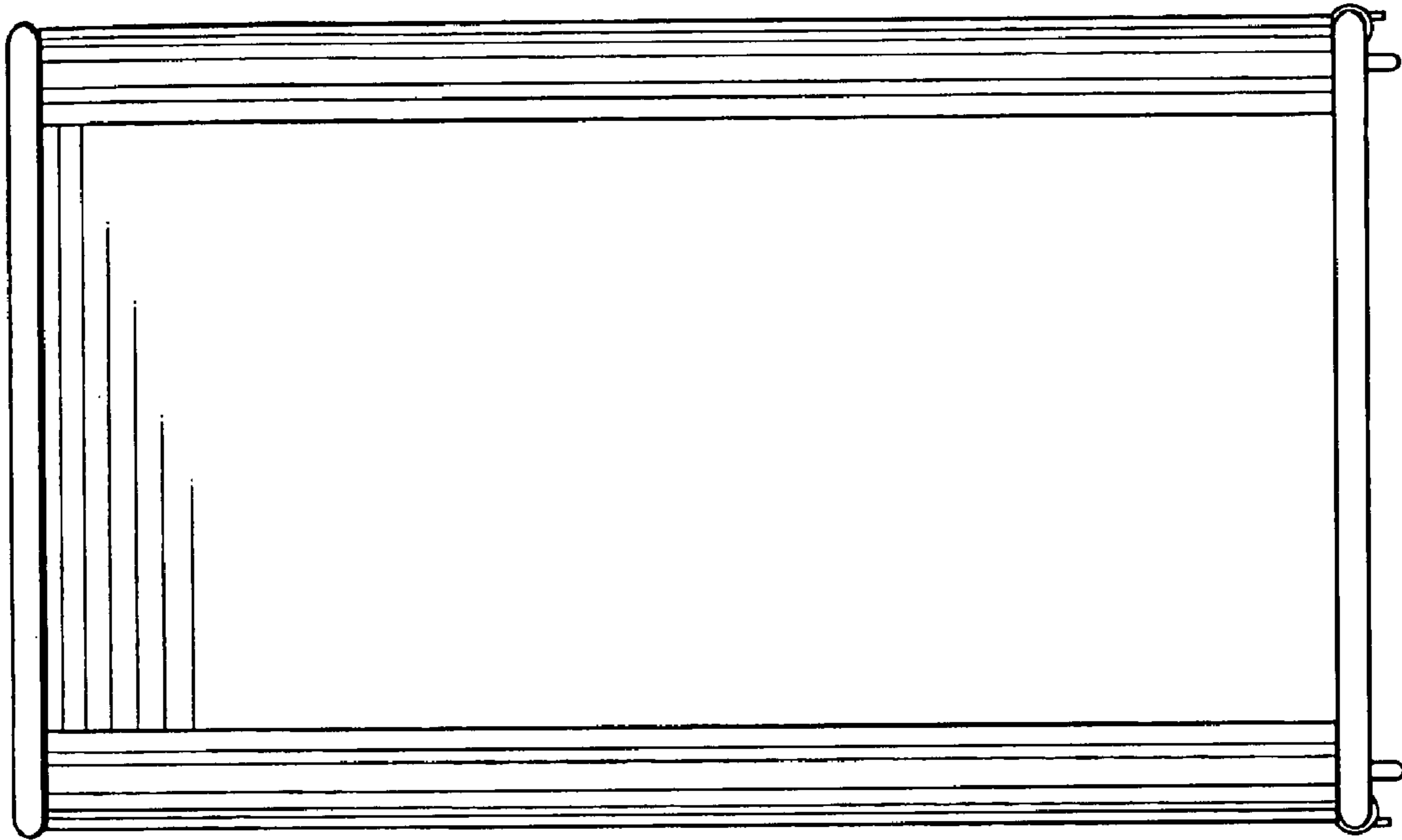
**Fig. 3**



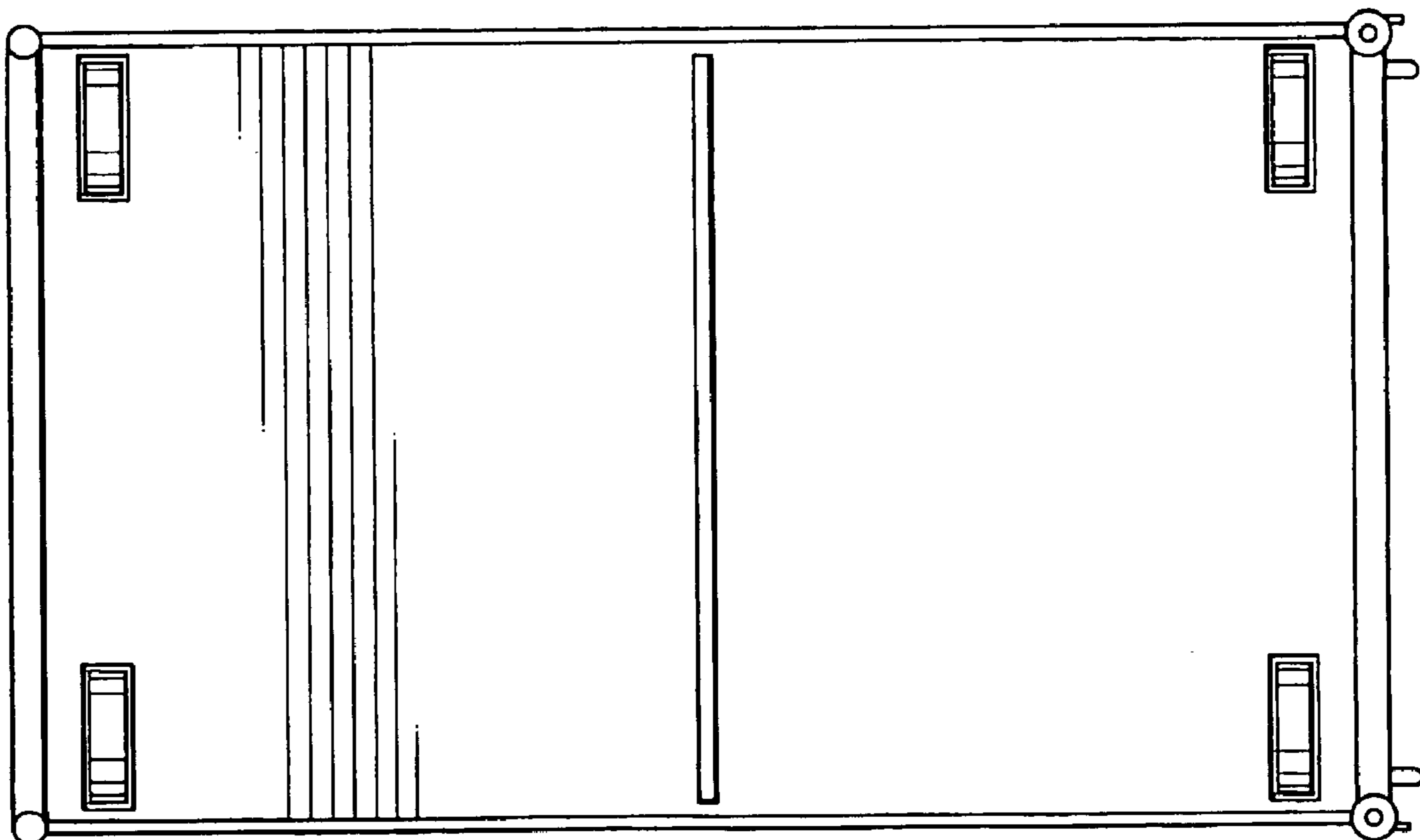
**Fig. 4**



**Fig. 5**



**Fig. 6**





**Fig. 7**

