

US00D525004S

(12) **United States Design Patent**  
**Berti**

(10) **Patent No.:** **US D525,004 S**

(45) **Date of Patent:** **\*\* Jul. 11, 2006**

(54) **DUSTPAN**

(75) Inventor: **Enzo Berti**, Venice (IT)

(73) Assignee: **The Libman Company**, Arcola, IL  
(US)

(\*\*) Term: **14 Years**

(21) Appl. No.: **29/190,474**

(22) Filed: **Sep. 22, 2003**

(51) **LOC (8) Cl.** ..... **07-05**

(52) **U.S. Cl.** ..... **D32/74**

(58) **Field of Classification Search** ..... D32/74;  
D8/10; D30/162; 15/257.1, 257.2, 257.3,  
15/257.6, 257.8, 257.9; 294/1.3, 55  
See application file for complete search history.

(56) **References Cited**

**U.S. PATENT DOCUMENTS**

D194,217 S	*	12/1962	Bloch	.....	D32/74
D208,487 S	*	9/1967	Appel et al.	.....	D32/74
D306,367 S	*	2/1990	Vetter	.....	D32/74
D345,238 S		3/1994	Berti		

D347,915 S		6/1994	Berti		
D367,745 S	*	3/1996	Feldman et al.	.....	D32/74
D427,739 S	*	7/2000	Demore	.....	D32/74
D468,106 S	*	1/2003	Robertson	.....	D32/74 X
D475,828 S		6/2003	Libman et al.		
D481,504 S		10/2003	Libman et al.		

\* cited by examiner

*Primary Examiner*—Alan P. Douglas

*Assistant Examiner*—Lavone D. Tabor

(74) *Attorney, Agent, or Firm*—Banner & Witcoff, Ltd.

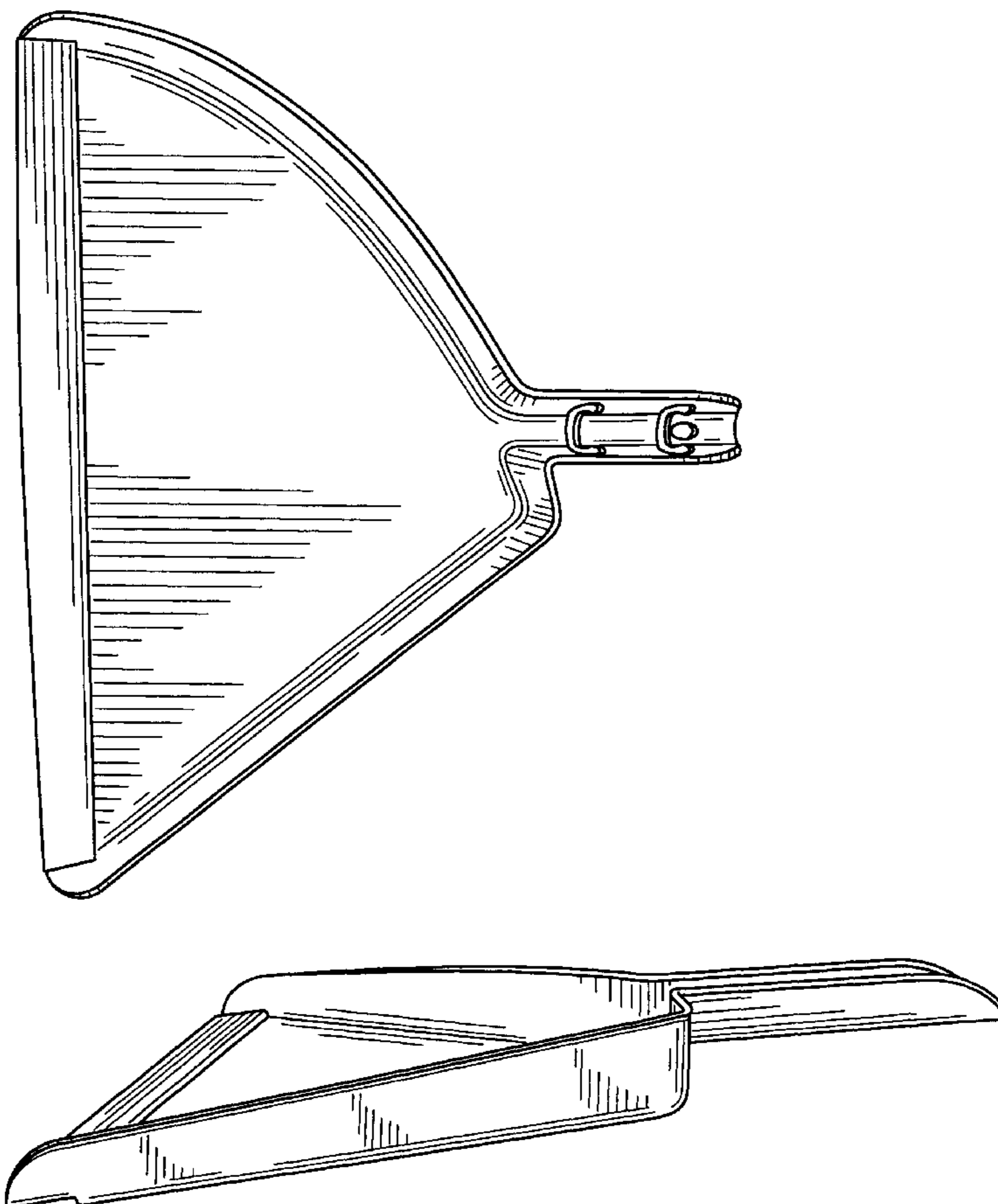
(57) **CLAIM**

The ornamental design for a dustpan, as shown and described.

**DESCRIPTION**

FIG. 1 is a top view of a dustpan showing my invention;  
FIG. 2 is a bottom view thereof;  
FIG. 3 is a front side view thereof;  
FIG. 4 is a rear side view thereof;  
FIG. 5 is a left side perspective view thereof;  
FIG. 6 is a left side view thereof; and,  
FIG. 7 is a right side view thereof.

**1 Claim, 5 Drawing Sheets**



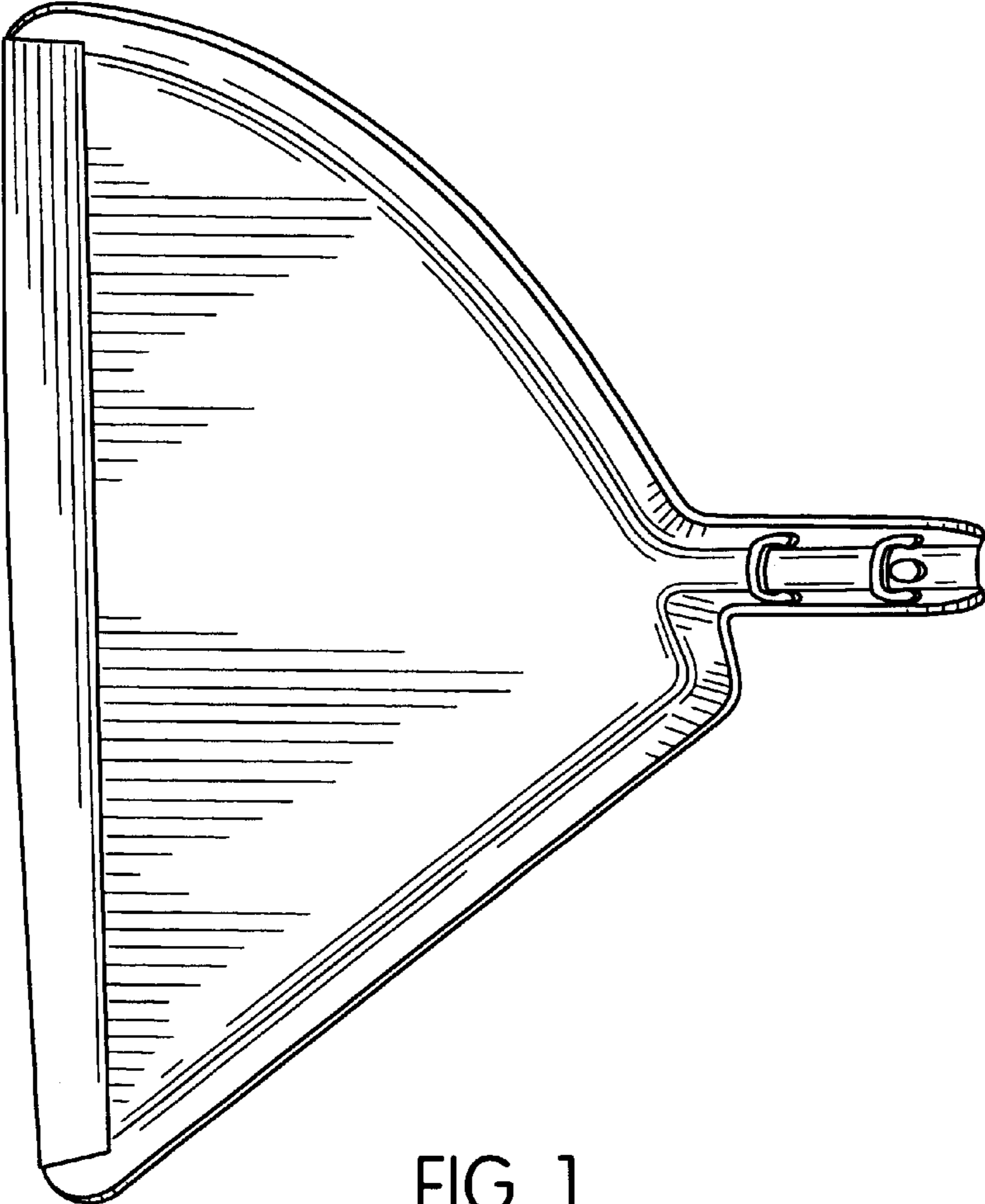


FIG. 1

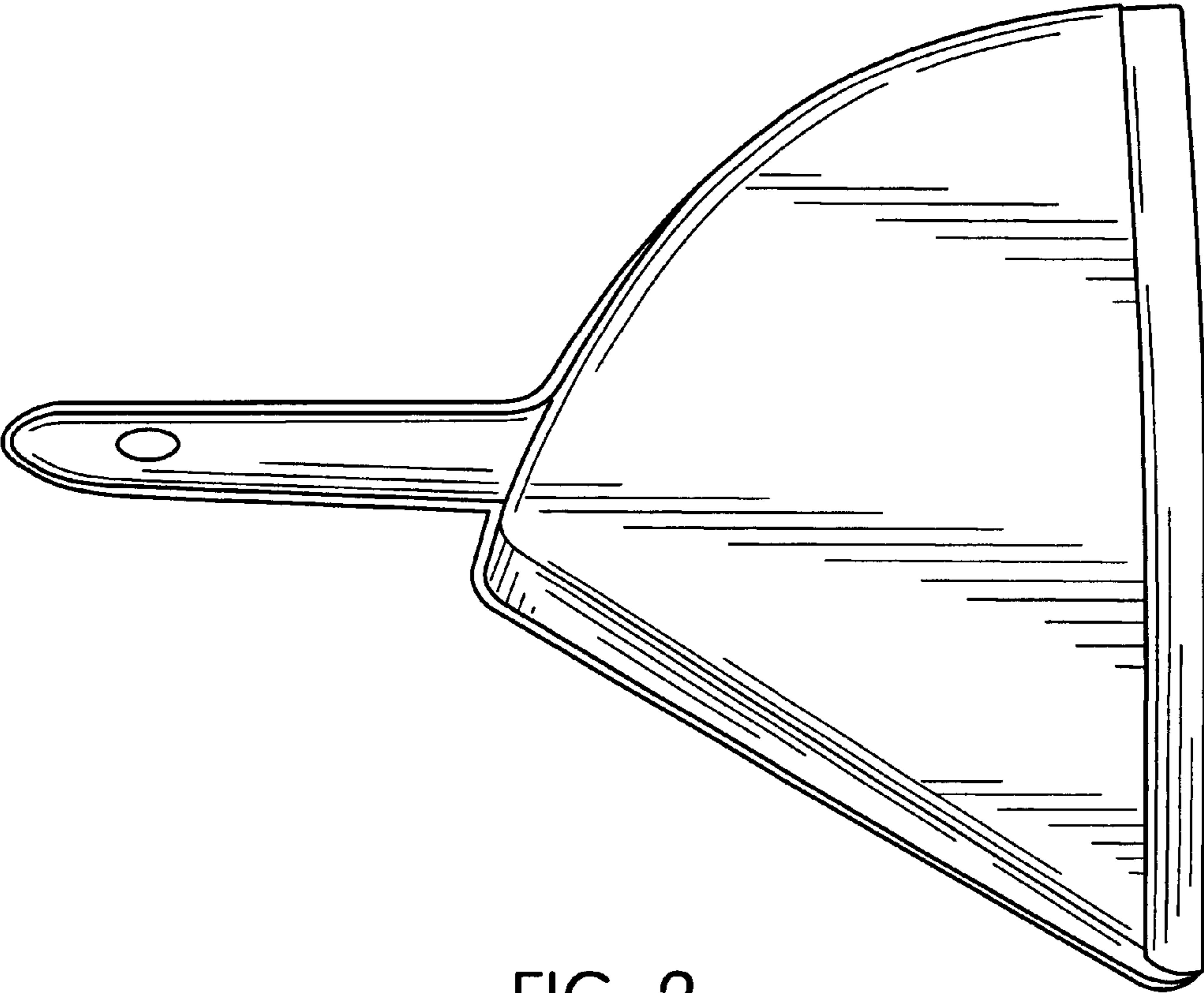


FIG. 2

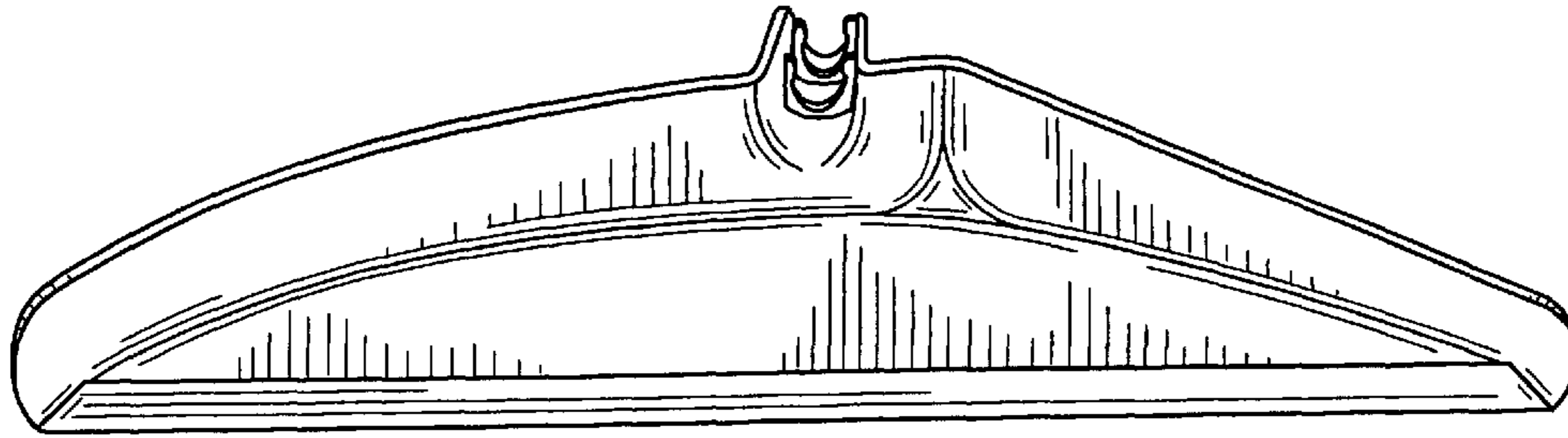


FIG. 3

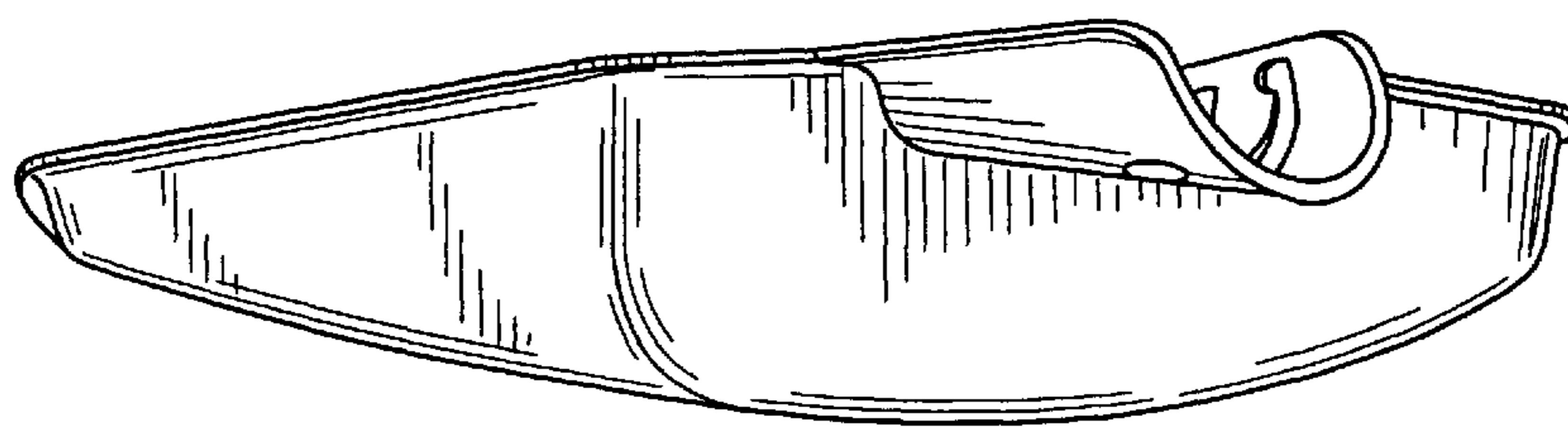


FIG. 4

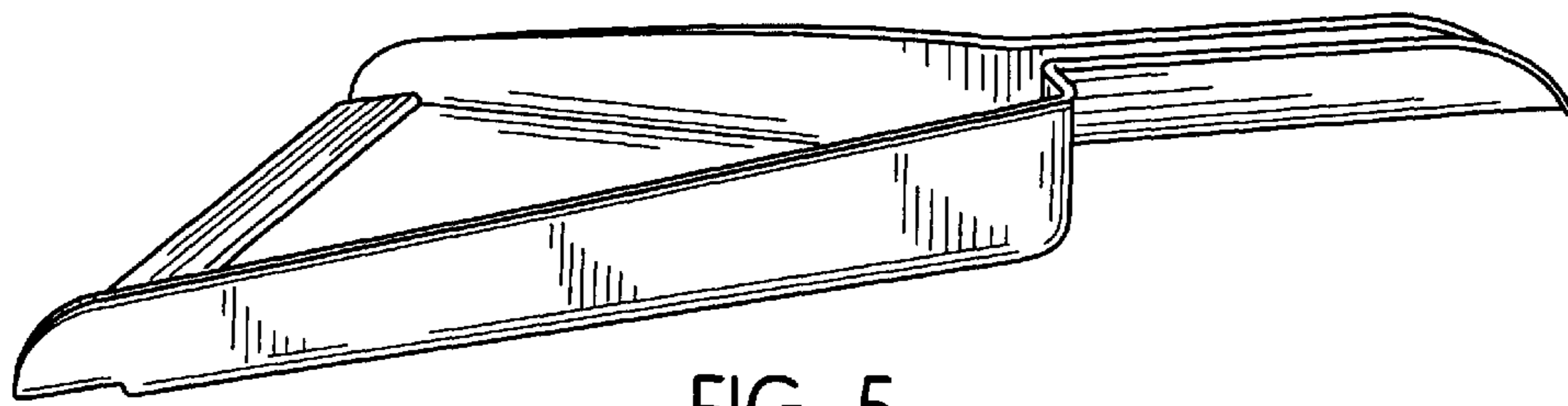


FIG. 5

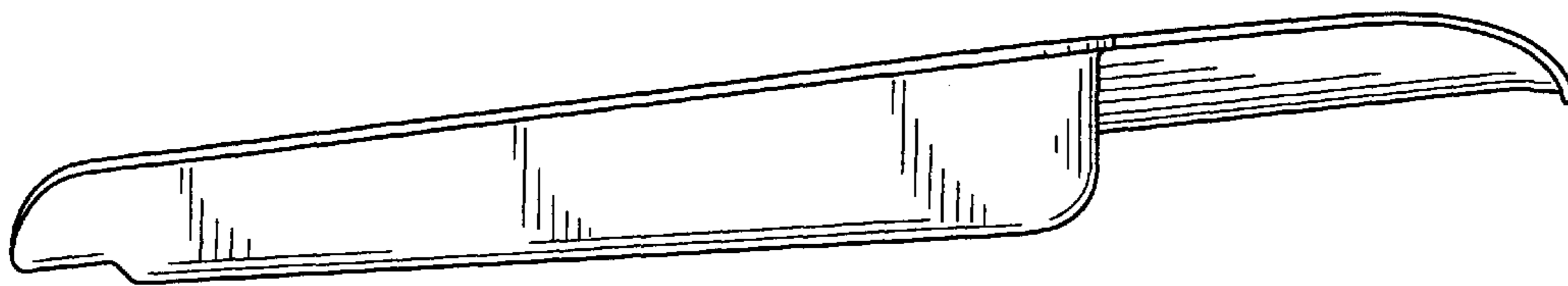


FIG. 6

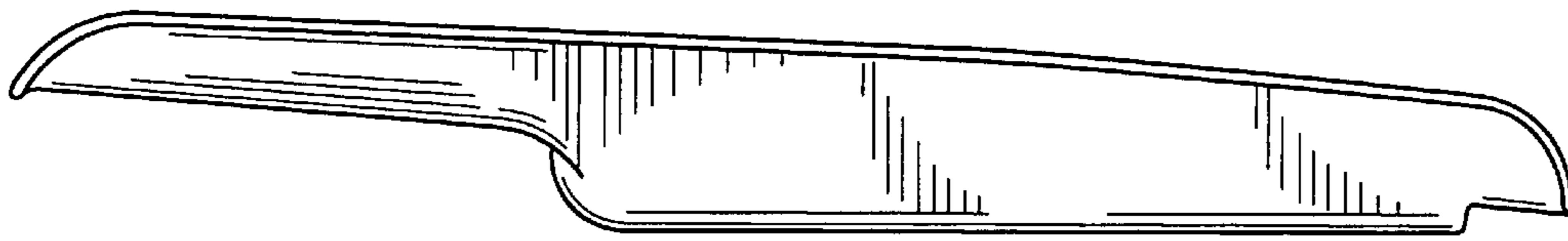


FIG. 7