



US00D525002S

(12) **United States Design Patent**
Wiedemann

(10) **Patent No.:** **US D525,002 S**

(45) **Date of Patent:** **** Jul. 11, 2006**

(54) **VACUUM CLEANER**

(76) **Inventor:** **Thomas Wiedemann, St.**
Martin-Strasse 2, 6850 Dornbirn (AT)

(**) **Term:** **14 Years**

(21) **Appl. No.:** **29/208,789**

(22) **Filed:** **Jul. 2, 2004**

(30) **Foreign Application Priority Data**

Jan. 2, 2004 (EM) 116637

(51) **LOC (8) Cl.** **15-05**

(52) **U.S. Cl.** **D32/23**

(58) **Field of Classification Search** D32/1,
D32/15, 17-18, 21-25, 31, 34; 15/320-321,
15/323, 328-329, 344, 352-353, 356, 377,
15/327.1, 327.5, 327.6, 410-411, 361, 247;
55/337, 341.2, 347, 356, 459.1, 460, 484,
55/DIG. 3; 285/7

See application file for complete search history.

(56) **References Cited**

U.S. PATENT DOCUMENTS

- D187,689 S * 4/1960 Aldrich D32/30
- D205,759 S * 9/1966 La Mers et al. D32/21
- D230,692 S * 3/1974 Wachsman D32/23
- D283,066 S * 3/1986 Maier D32/23
- 5,267,371 A * 12/1993 Soler et al. 15/327.5
- D351,695 S * 10/1994 Martinez et al. D32/23

- D446,365 S * 8/2001 Bisson D32/21
- D455,531 S * 4/2002 Cartellone D32/23
- D459,039 S * 6/2002 Bisson D32/21
- 6,553,610 B1 * 4/2003 Shideler 15/327.5
- 6,557,206 B1 * 5/2003 Liu 15/327.5

* cited by examiner

Primary Examiner—Ruth McInroy

(74) *Attorney, Agent, or Firm*—Friedrich Kueffner

(57) **CLAIM**

The ornamental design for a vacuum cleaner, as shown and described.

DESCRIPTION

FIG. 1 is a front view of a vacuum cleaner showing my new design;

FIG. 2 is a rear view thereof;

FIG. 3 is a side view thereof;

FIG. 4 is another side view thereof;

FIG. 5 is a top view thereof;

FIG. 6 is a bottom view thereof;

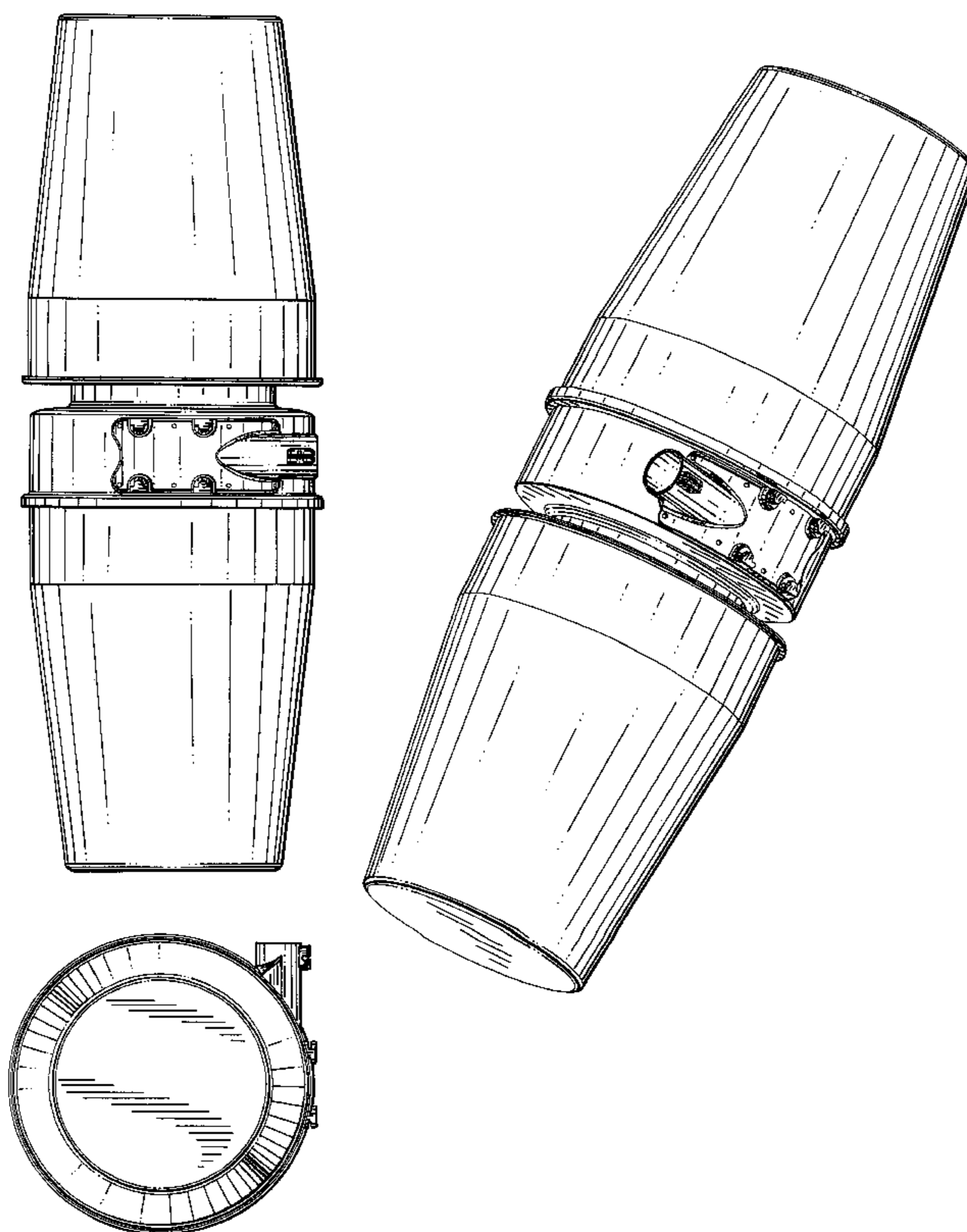
FIG. 7 is a side perspective view thereof, with a hose connector mounted thereon;

FIG. 8 is a top perspective view of the hose connector shown in FIG. 7; and,

FIG. 9 is a bottom perspective view thereof.

The hose connector shown in FIGS. 8 and 9 is shown separate for clarity of illustration.

1 Claim, 9 Drawing Sheets



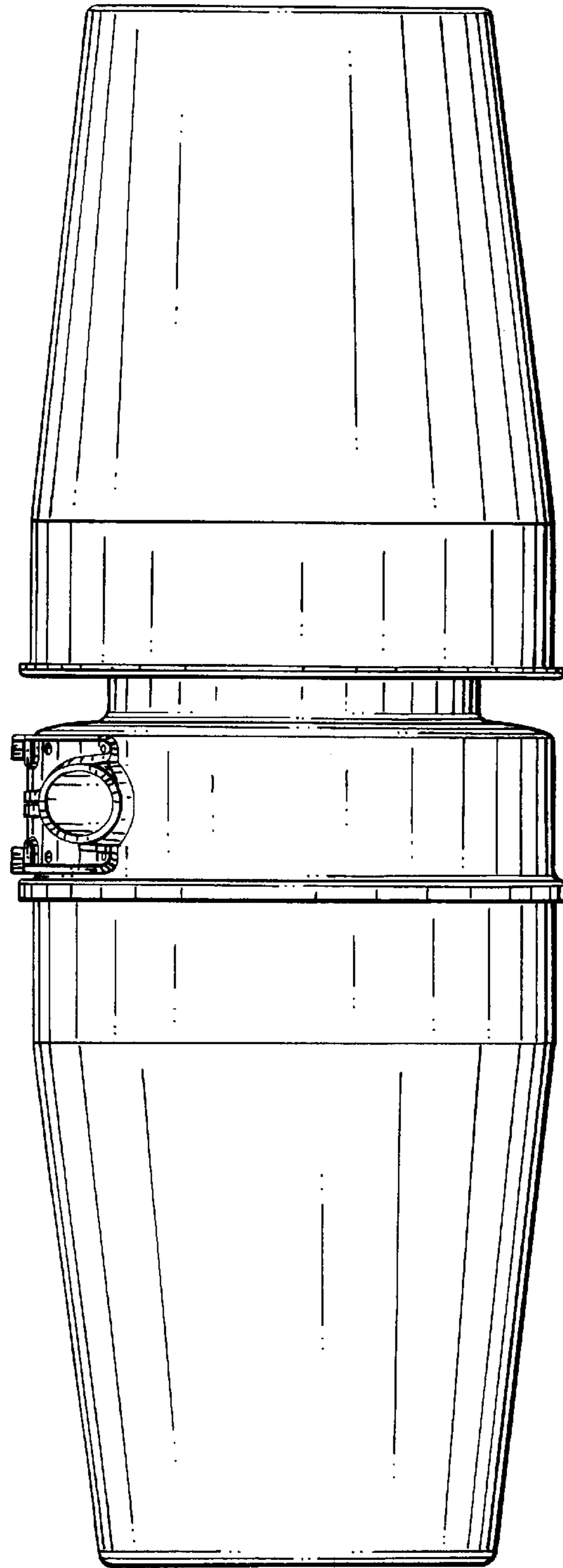


FIG. 1

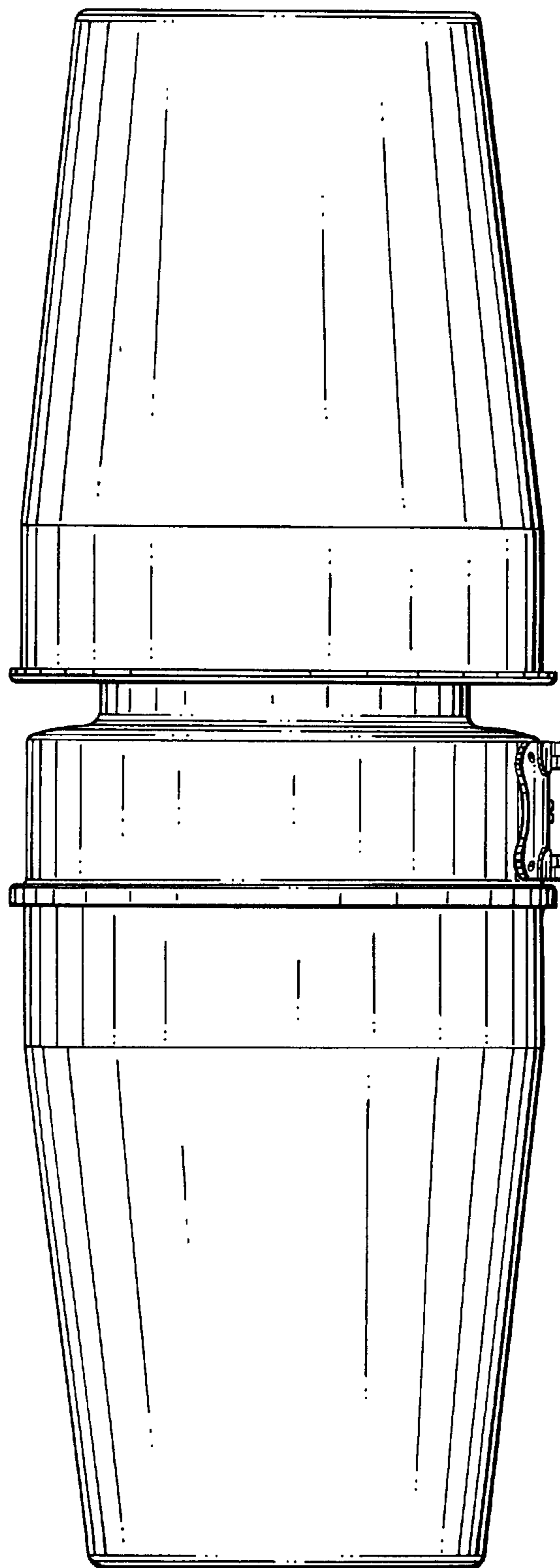


FIG. 2

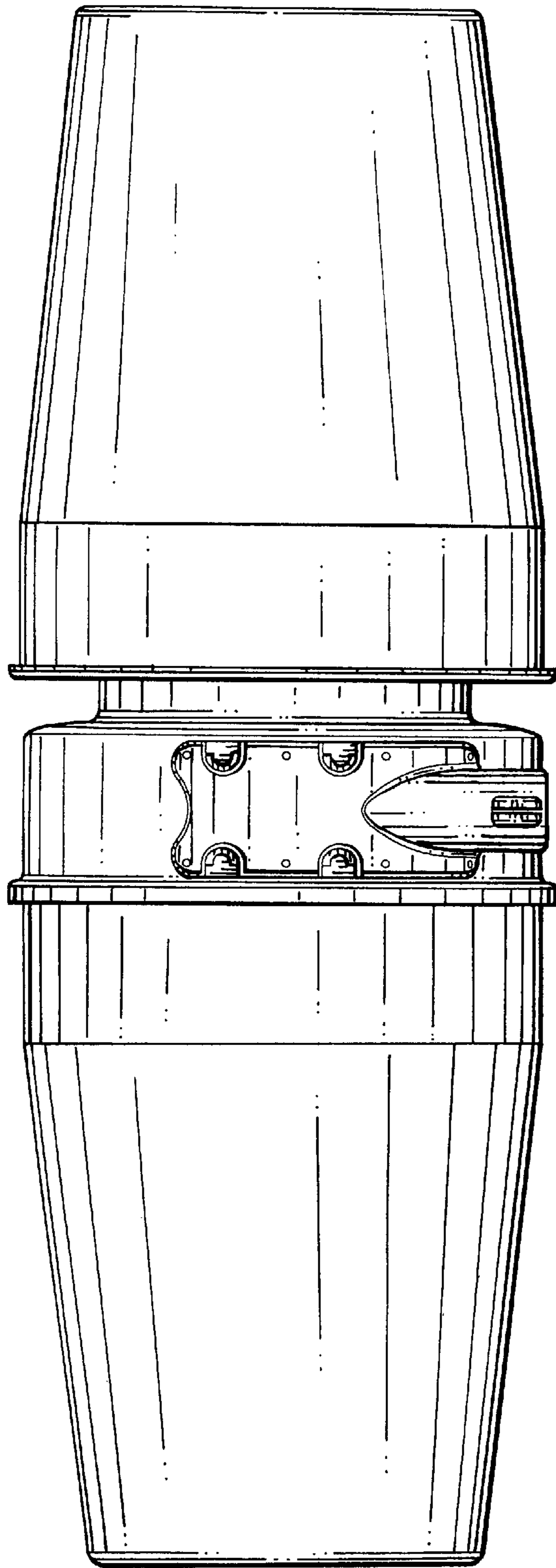


FIG. 3

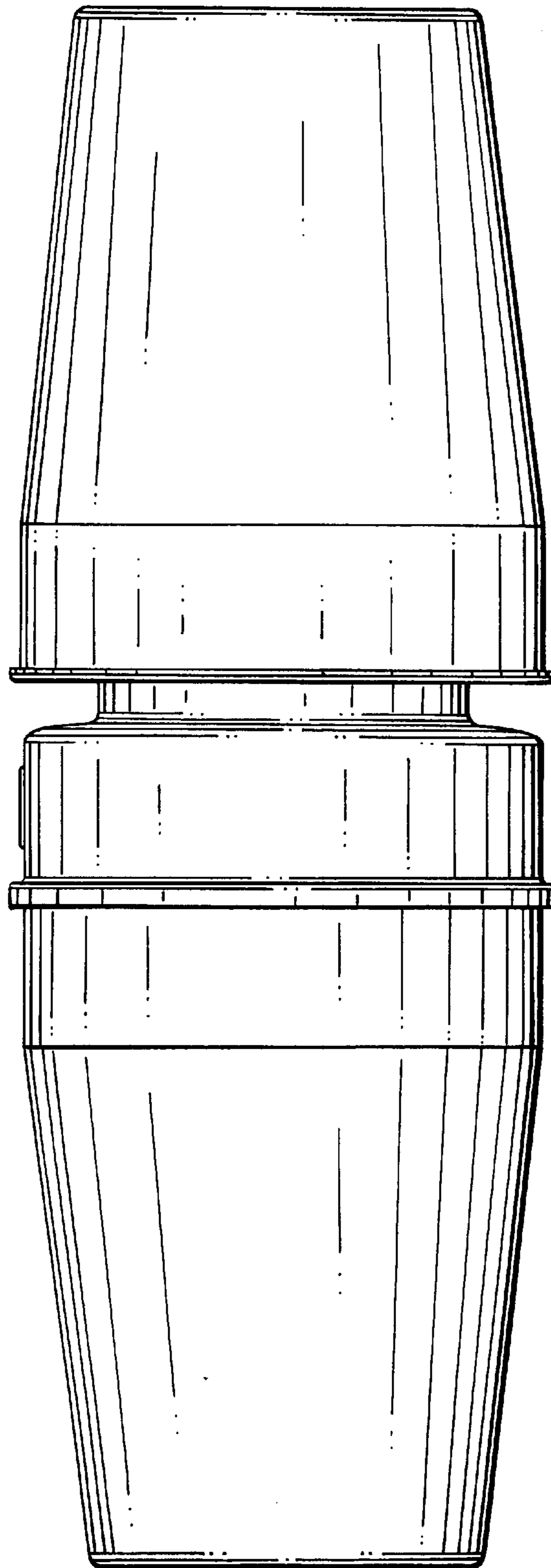


FIG. 4

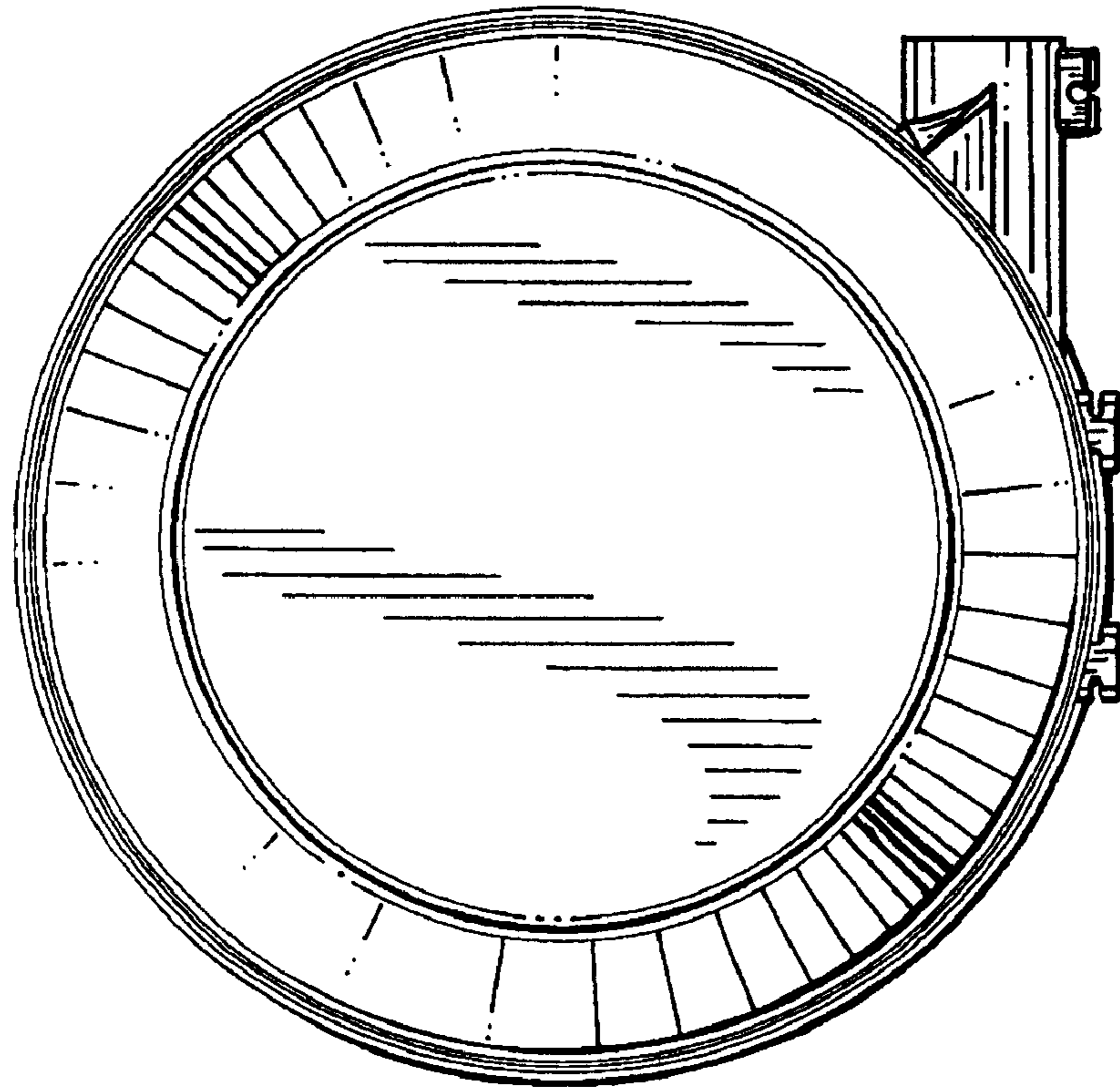


FIG. 5

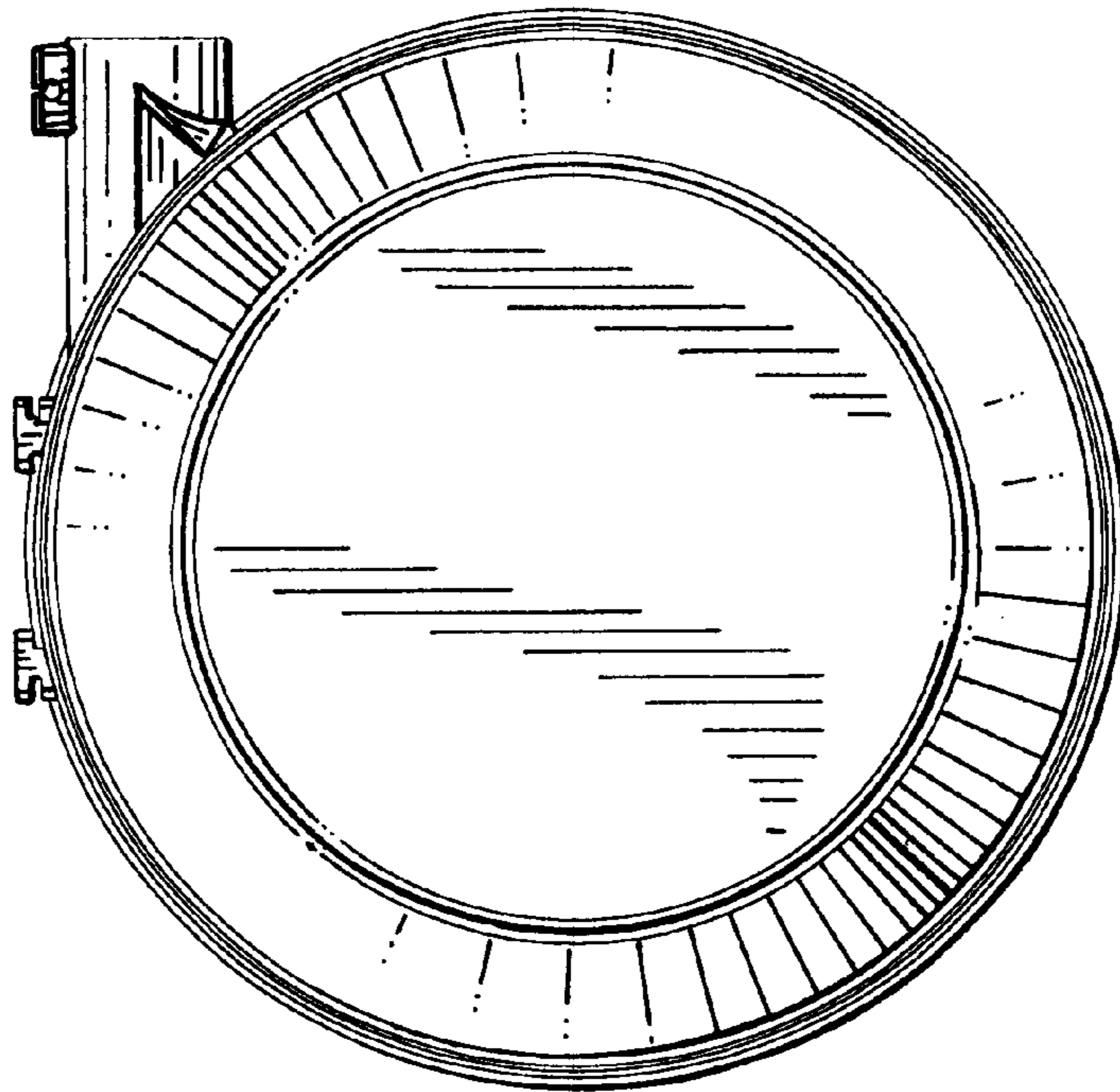


FIG. 6

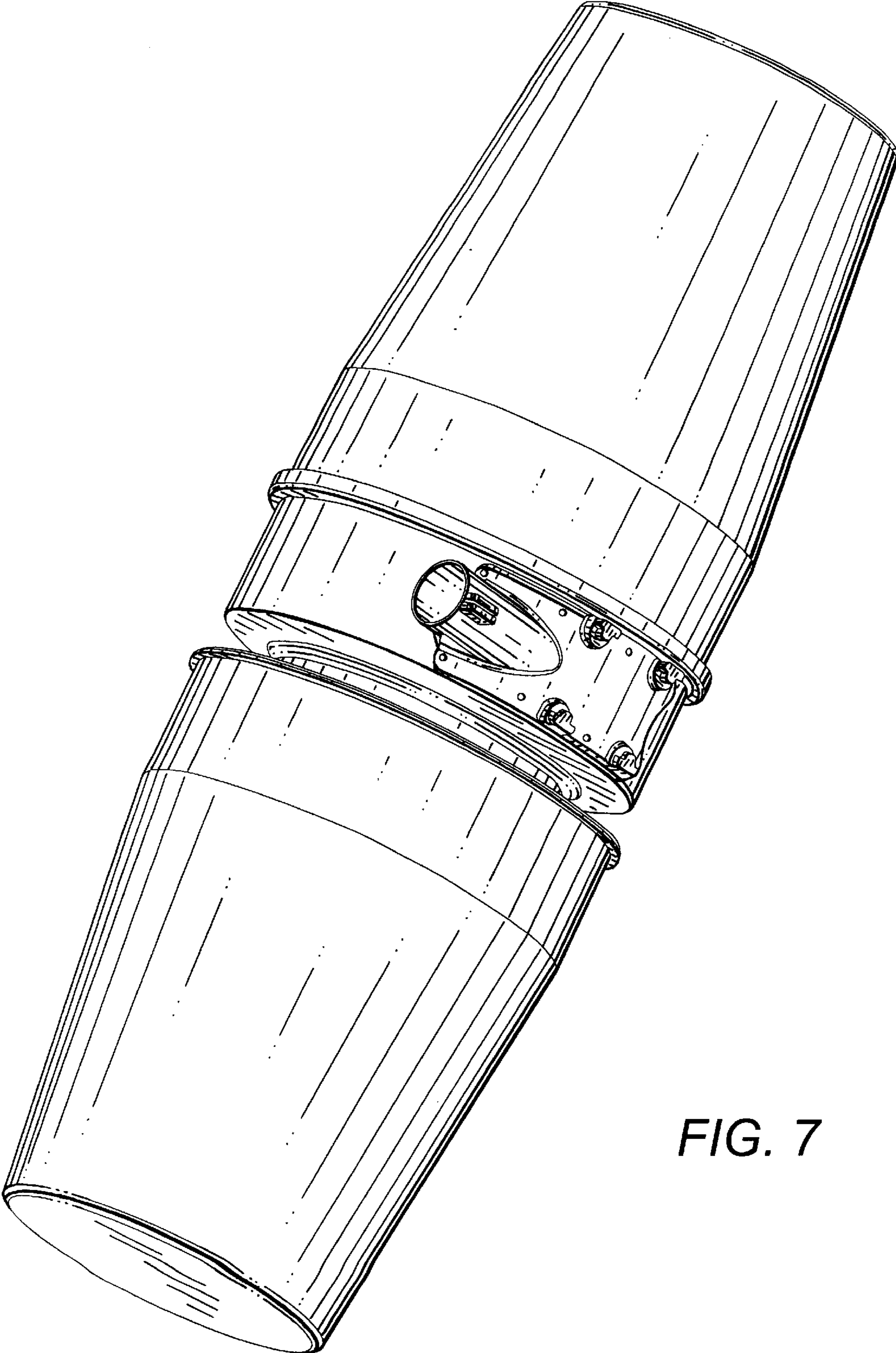


FIG. 7

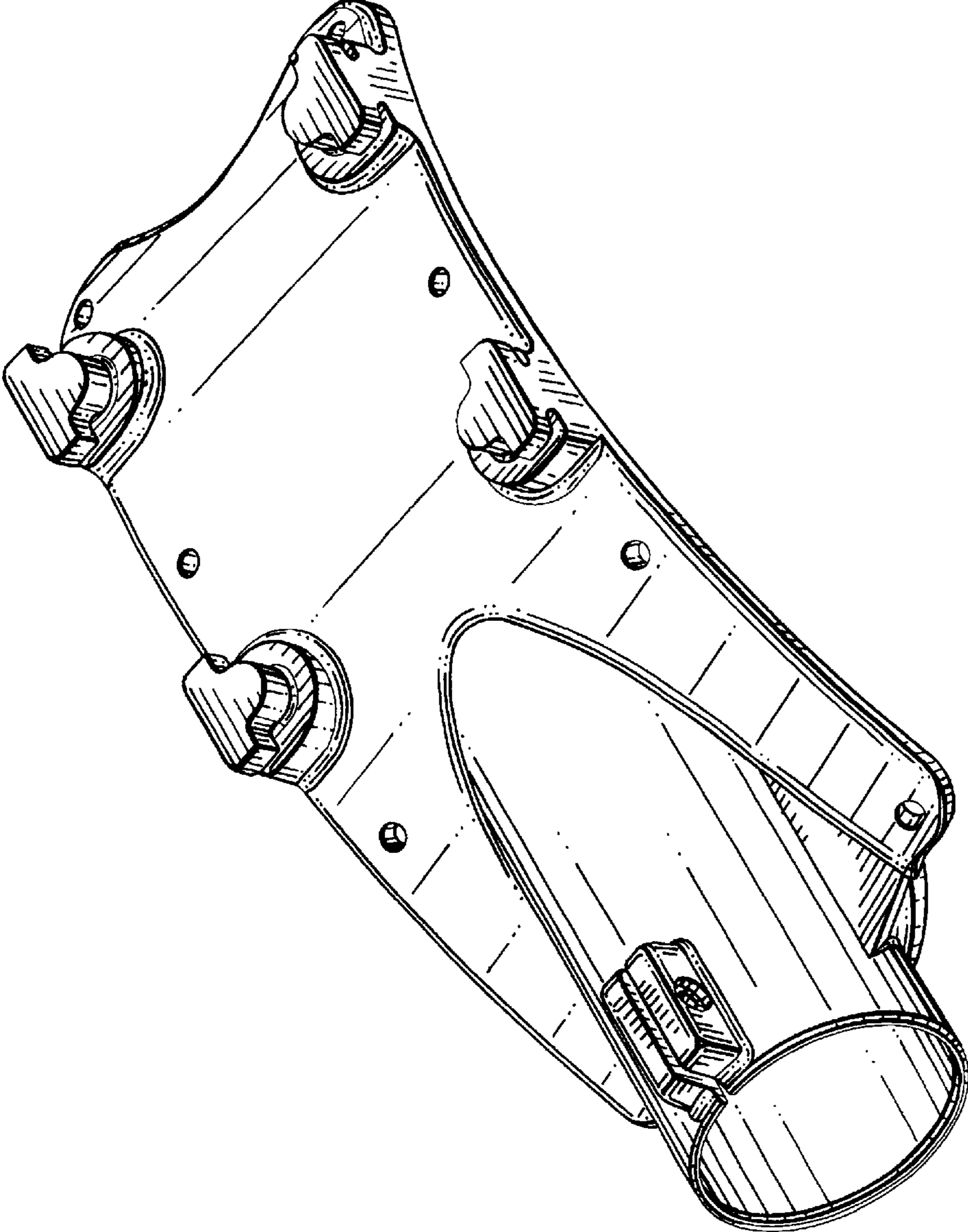


FIG. 8

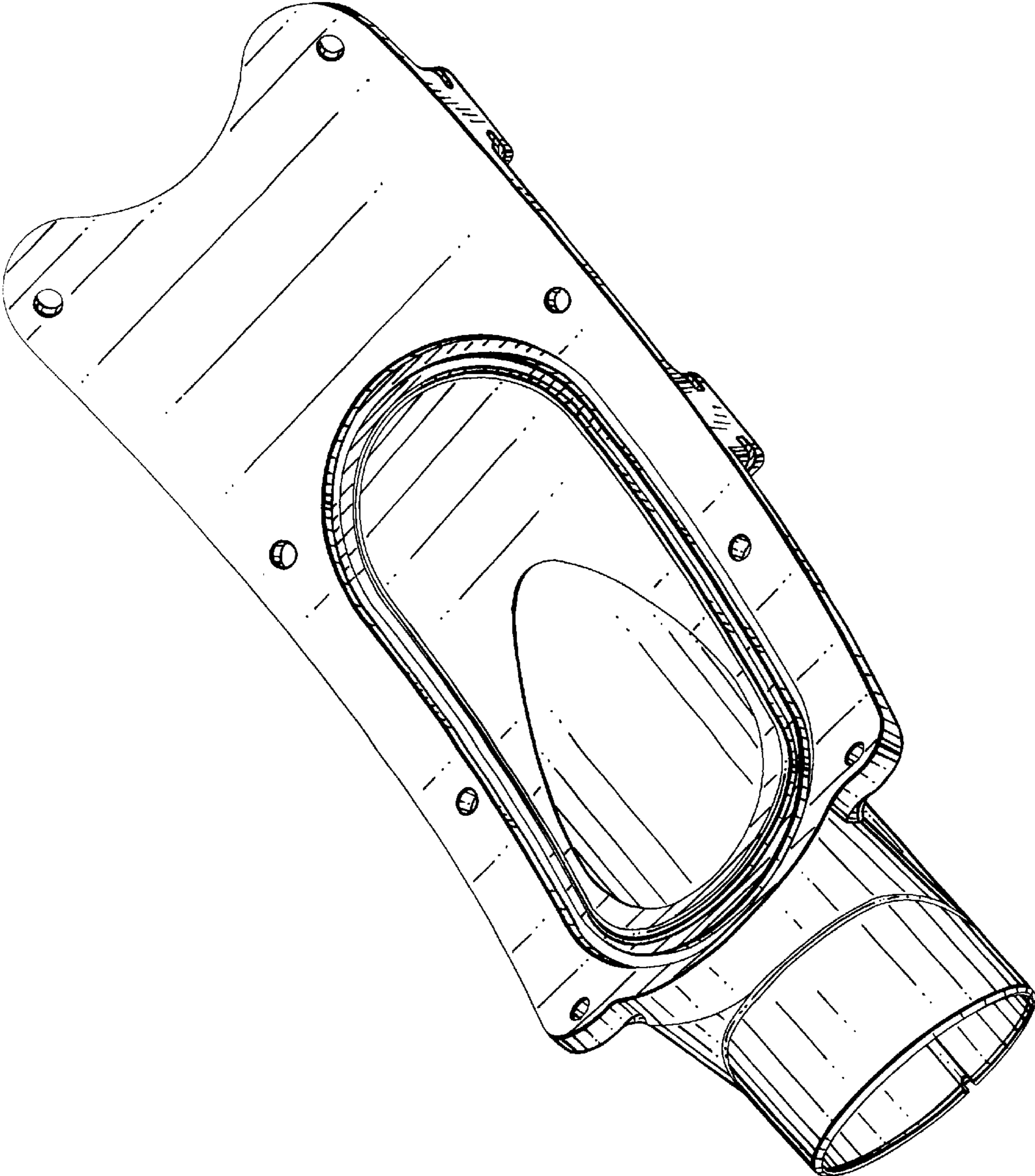


FIG. 9