

US00D525001S

(12) **United States Design Patent**  
**Vassanelli**

(10) **Patent No.:** **US D525,001 S**

(45) **Date of Patent:** **\*\* Jul. 11, 2006**

(54) **SURFACE WASHING DEVICE**

(75) **Inventor:** **Felice Vassanelli**, Cavaion Veronese (IT)

(73) **Assignee:** **S.I.S.T.E.M.A. S.R.L.**, Villafranca di Verona (IT)

(\*\*) **Term:** **14 Years**

(21) **Appl. No.:** **29/223,174**

(22) **Filed:** **Feb. 11, 2005**

(51) **LOC (8) Cl.** ..... **15-05**

(52) **U.S. Cl.** ..... **D32/15**

(58) **Field of Classification Search** ..... D32/1, D32/15, 16, 17, 19, 20, 21, 22, 23; 15/320, 15/321, 353, 327.1-327.2, 327.6, 50.1, 23, 15/28, 32, 34, 3.12, 302; D4/102  
See application file for complete search history.

(56) **References Cited**

**U.S. PATENT DOCUMENTS**

D116,330 S	*	8/1939	Posch	.....	D32/20
D166,572 S	*	4/1952	Pond	.....	D32/19
3,398,422 A	*	8/1968	Barry et al.	.....	15/180
4,542,551 A	*	9/1985	Phillips	.....	15/49.1

D307,068 S	*	4/1990	Bradd	.....	D32/19
5,768,735 A	*	6/1998	Wiese et al.	.....	15/49.1
6,216,312 B1	*	4/2001	Rowan	.....	15/321
D498,028 S	*	11/2004	Alsrue et al.	.....	D32/25
D498,889 S	*	11/2004	Alsrue et al.	.....	D32/25
2004/0237228 A1	*	12/2004	King et al.	.....	15/50.1

\* cited by examiner

*Primary Examiner*—Louis S. Zarfaz

*Assistant Examiner*—Kathleen Sims

(74) *Attorney, Agent, or Firm*—Browdy and Neimark, PLLC

(57) **CLAIM**

The ornamental design for a “surface washing device,” as shown and described.

**DESCRIPTION**

FIG. 1 is a right top perspective view of the design;

FIG. 2 is a top plan view thereof;

FIG. 3 is a front elevation view;

FIG. 4 is a rear elevation view;

FIG. 5 is a left-side elevation view; and,

FIG. 6 is a right-side elevation view.

The bottom of the design is flat and unornamented.

**1 Claim, 3 Drawing Sheets**

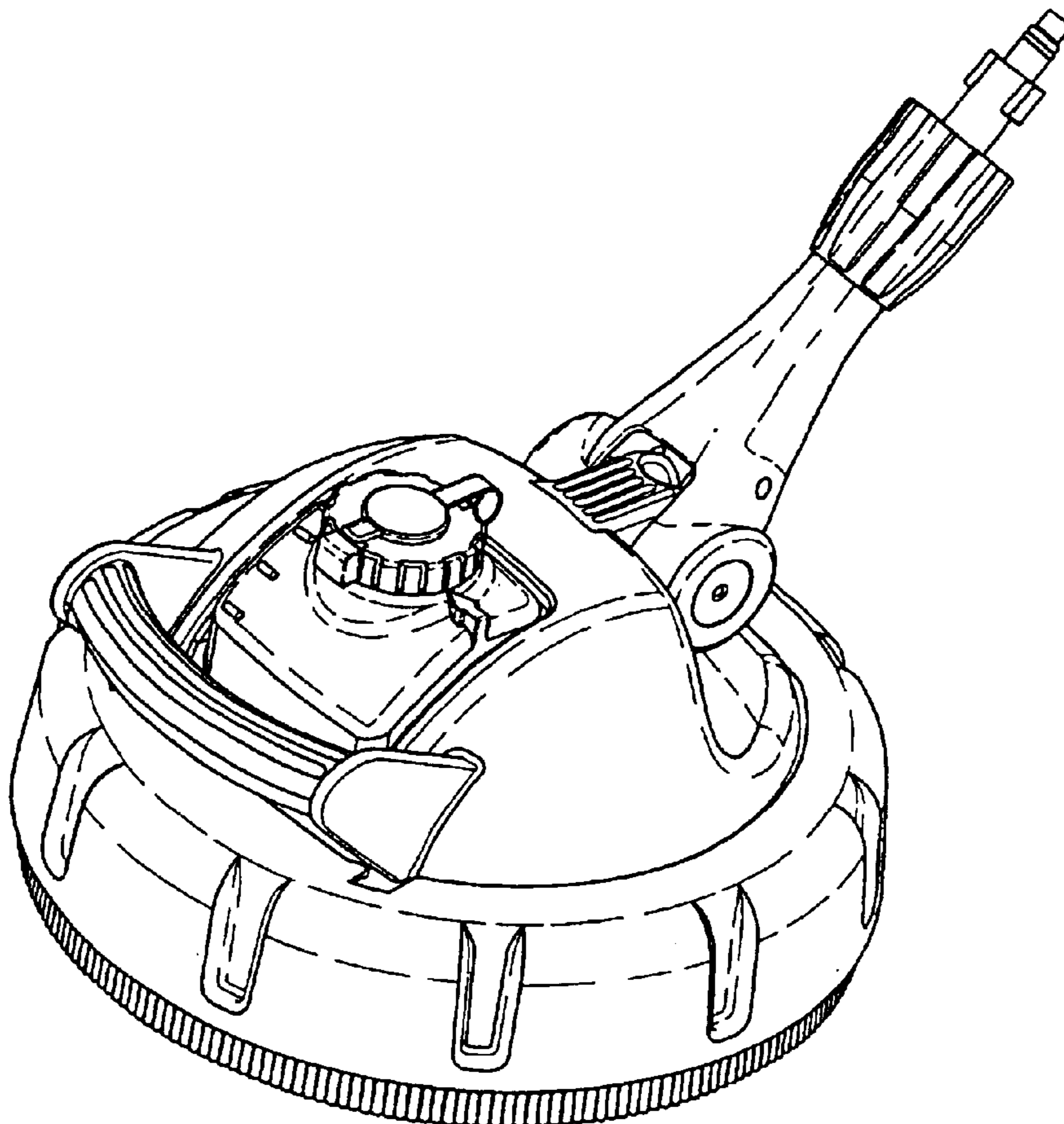


FIG. 1

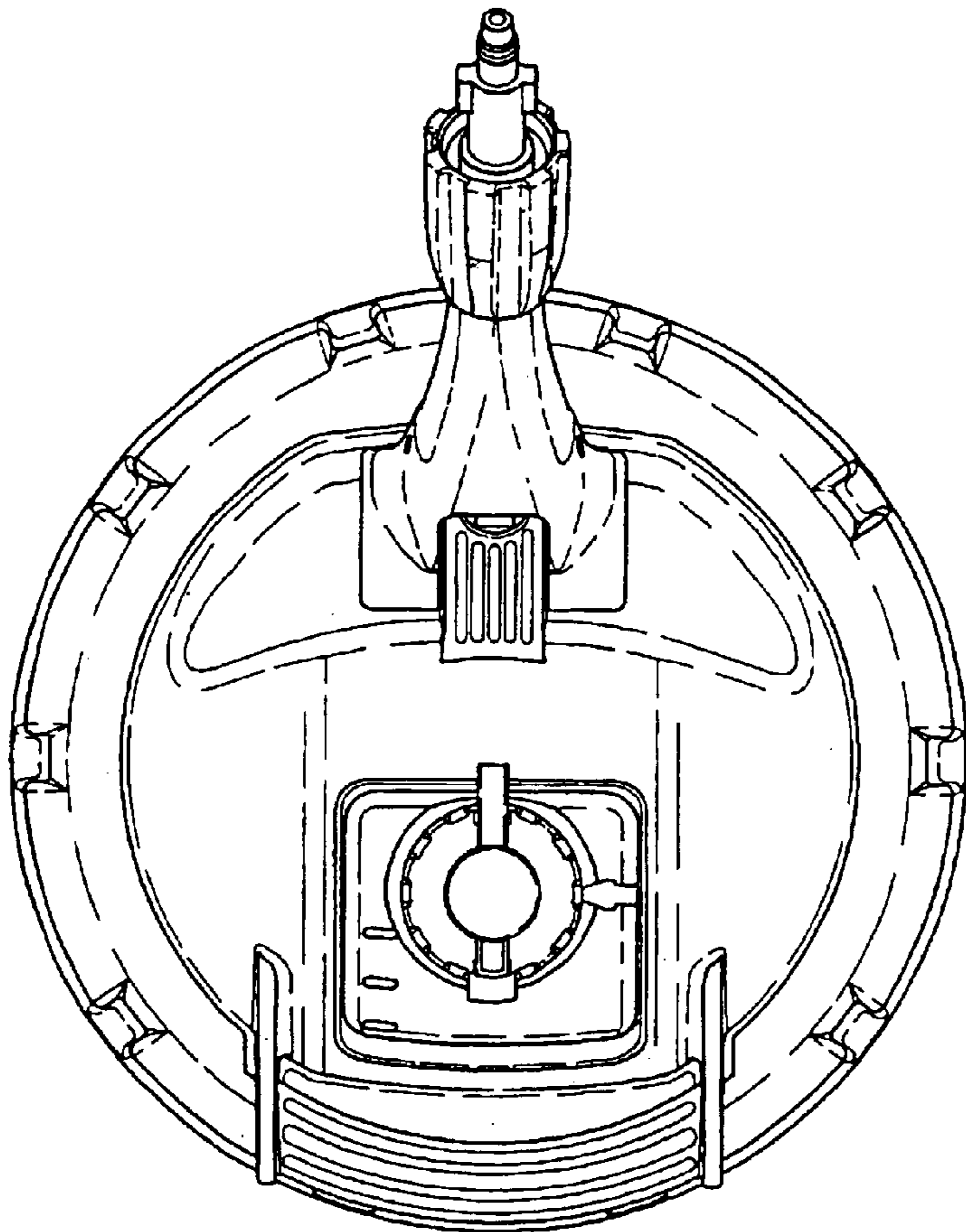
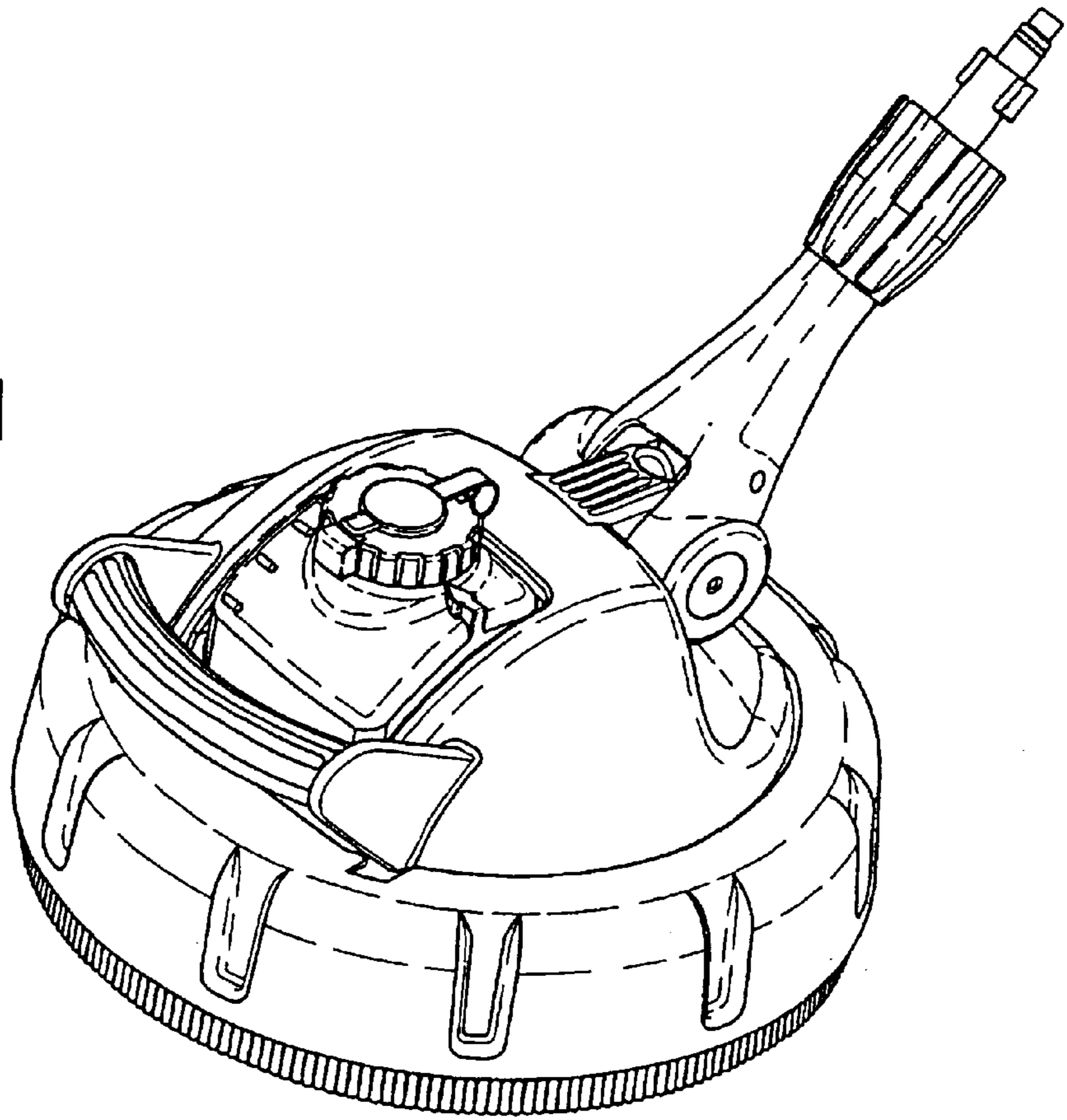


FIG. 2

FIG. 3

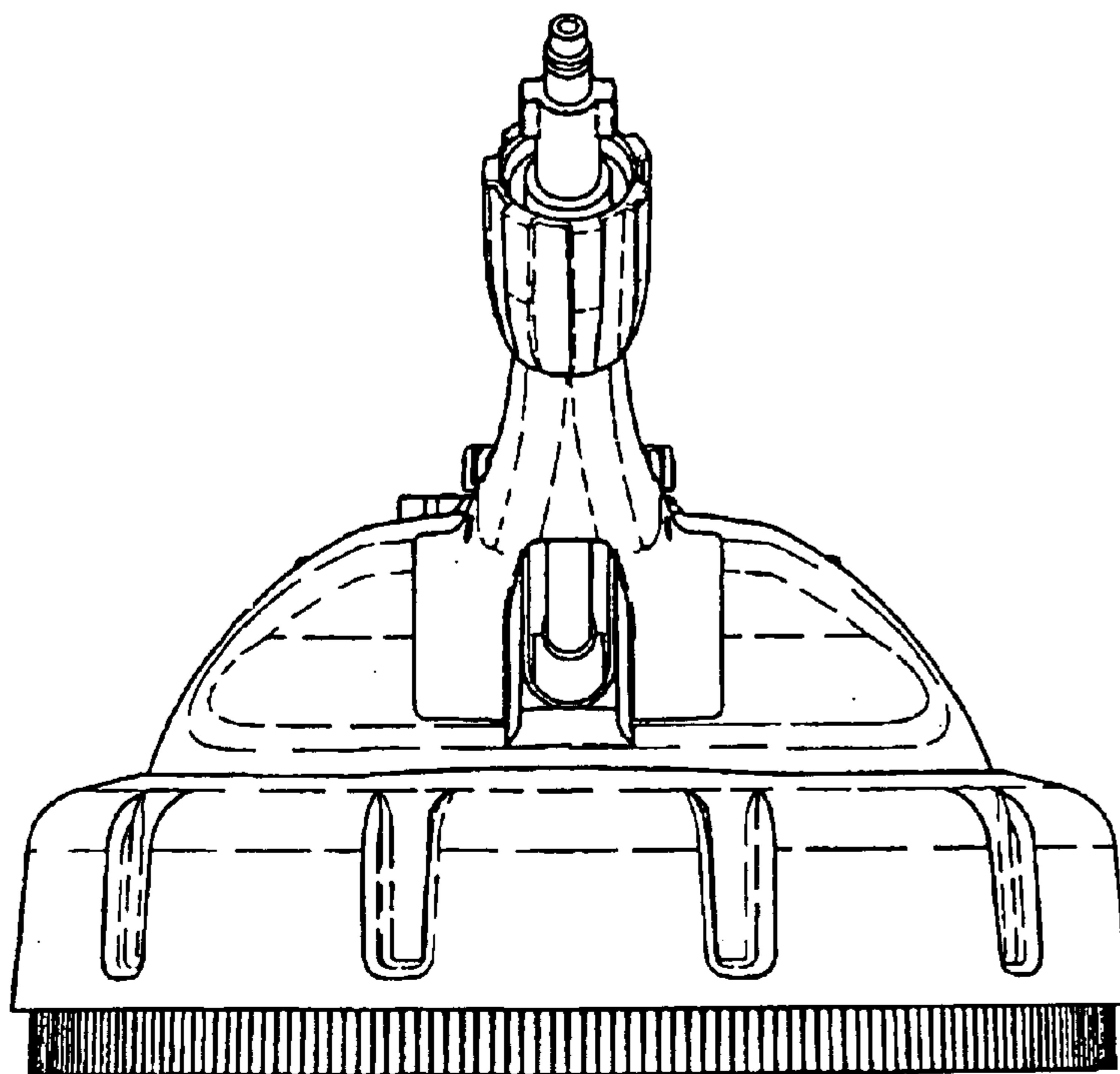
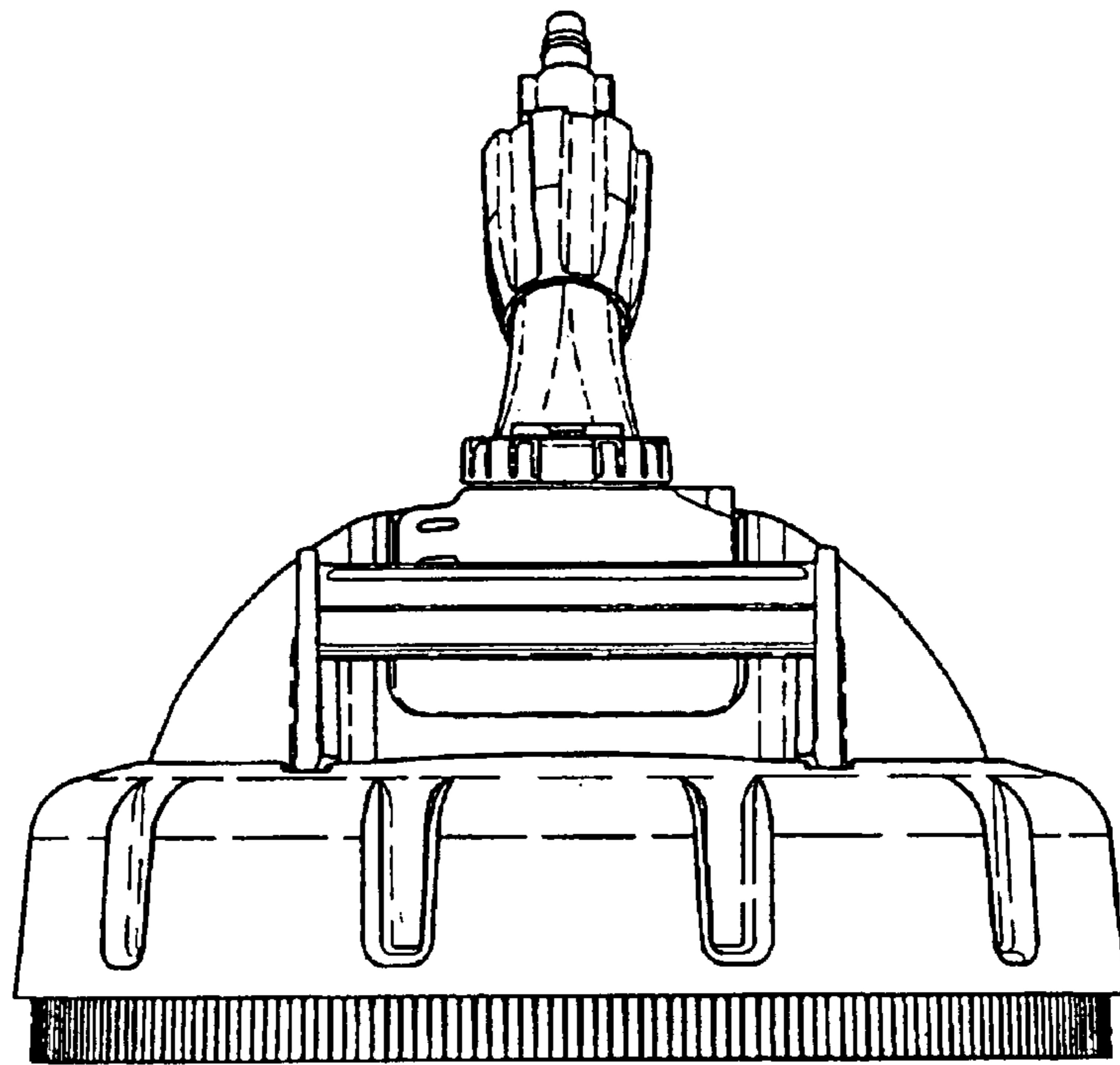


FIG. 4

FIG. 5

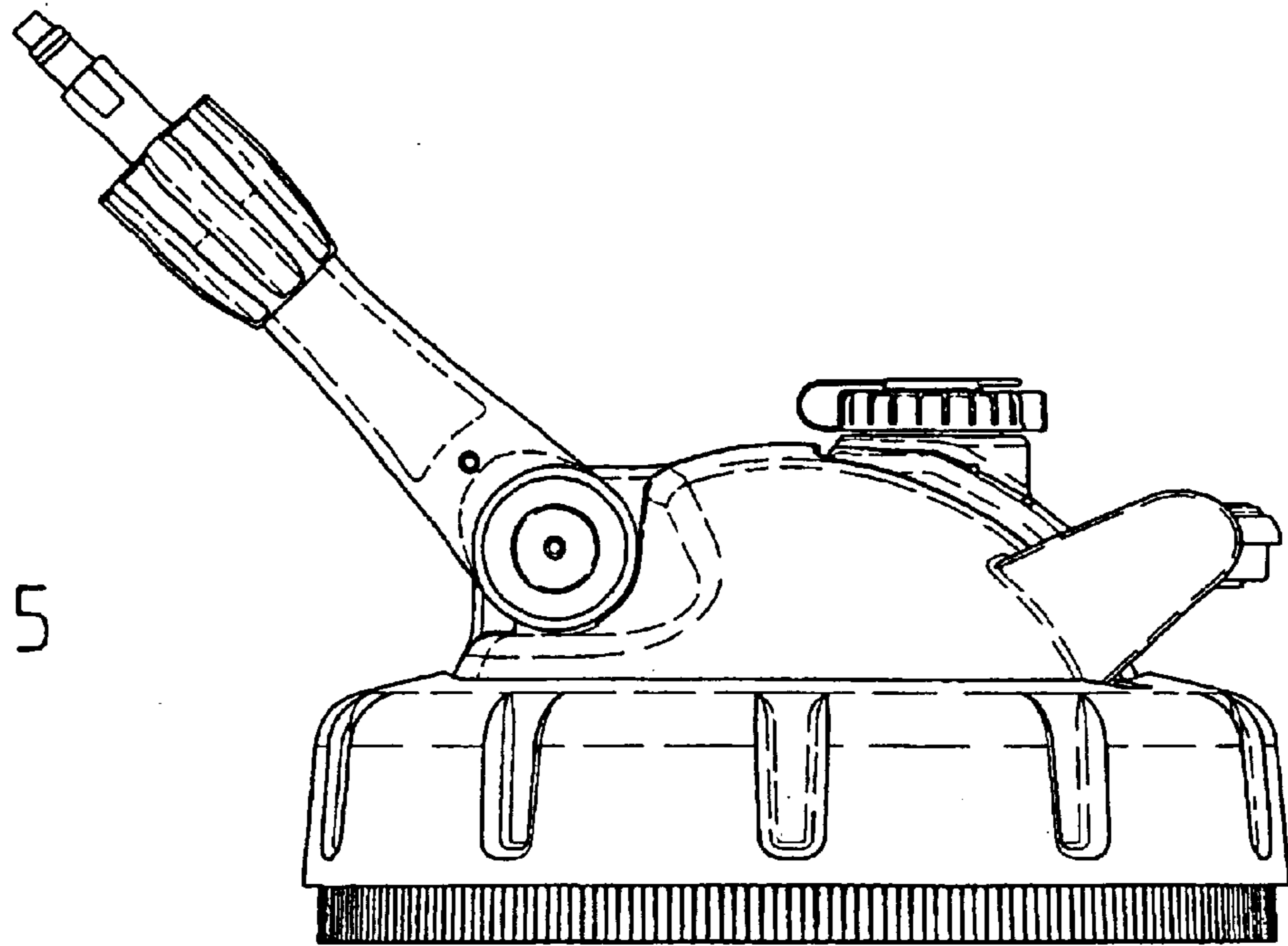


FIG. 6

