



US00D525000S

(12) **United States Design Patent**  
**Williams et al.**

(10) **Patent No.:** **US D525,000 S**  
(45) **Date of Patent:** **\*\* Jul. 11, 2006**

(54) **CLEANING APPARATUS**

(75) Inventors: **Steve Williams**, Hayden Lake, ID (US);  
**Mark Havel**, Willamina, OR (US)

(73) Assignee: **Palouse Holdings, LLC**, Coeur  
d'Alene, ID (US)

(\*\*) Term: **14 Years**

(21) Appl. No.: **29/212,492**

(22) Filed: **Sep. 1, 2004**

(51) **LOC (8) Cl.** ..... **15-05**

(52) **U.S. Cl.** ..... **D32/15**

(58) **Field of Classification Search** ..... D32/1,  
D32/15, 16, 17, 19, 20, 21, 22, 23; 15/320,  
15/321, 353, 327.1, 327.2, 327.6, 50.1  
See application file for complete search history.

(56) **References Cited**

**U.S. PATENT DOCUMENTS**

D318,543 S	*	7/1991	Shero	.....	D32/23
D332,330 S	*	1/1993	Gurstein	.....	D32/21
D337,184 S	*	7/1993	Bothun et al.	.....	D32/21
D343,706 S	*	1/1994	Gurstein	.....	D32/21
D364,947 S	*	12/1995	Kent et al.	.....	D32/22
D370,320 S	*	5/1996	Hachtmann	.....	D32/21
D380,070 S	*	6/1997	Shero	.....	D32/23
D420,473 S	*	2/2000	Shero	.....	D32/16
D477,444 S	*	7/2003	Bisson	.....	D32/21

2002/0116783 A1 \* 8/2002 Giddings et al. .... 15/321

\* cited by examiner

*Primary Examiner*—Louis S. Zarfes

*Assistant Examiner*—Kathleen Sims

(74) *Attorney, Agent, or Firm*—Wells St. John P.S.

(57) **CLAIM**

We claim the ornamental design for a cleaning apparatus, as shown and described.

**DESCRIPTION**

FIG. 1 is a perspective, side elevation view of the cleaning apparatus of the present invention, and which shows our new design.

FIG. 2 is a top, plan view of the cleaning apparatus of the present invention, and which shows our new design.

FIG. 3 is a side elevation view of the cleaning apparatus of the present invention, and which shows our new design.

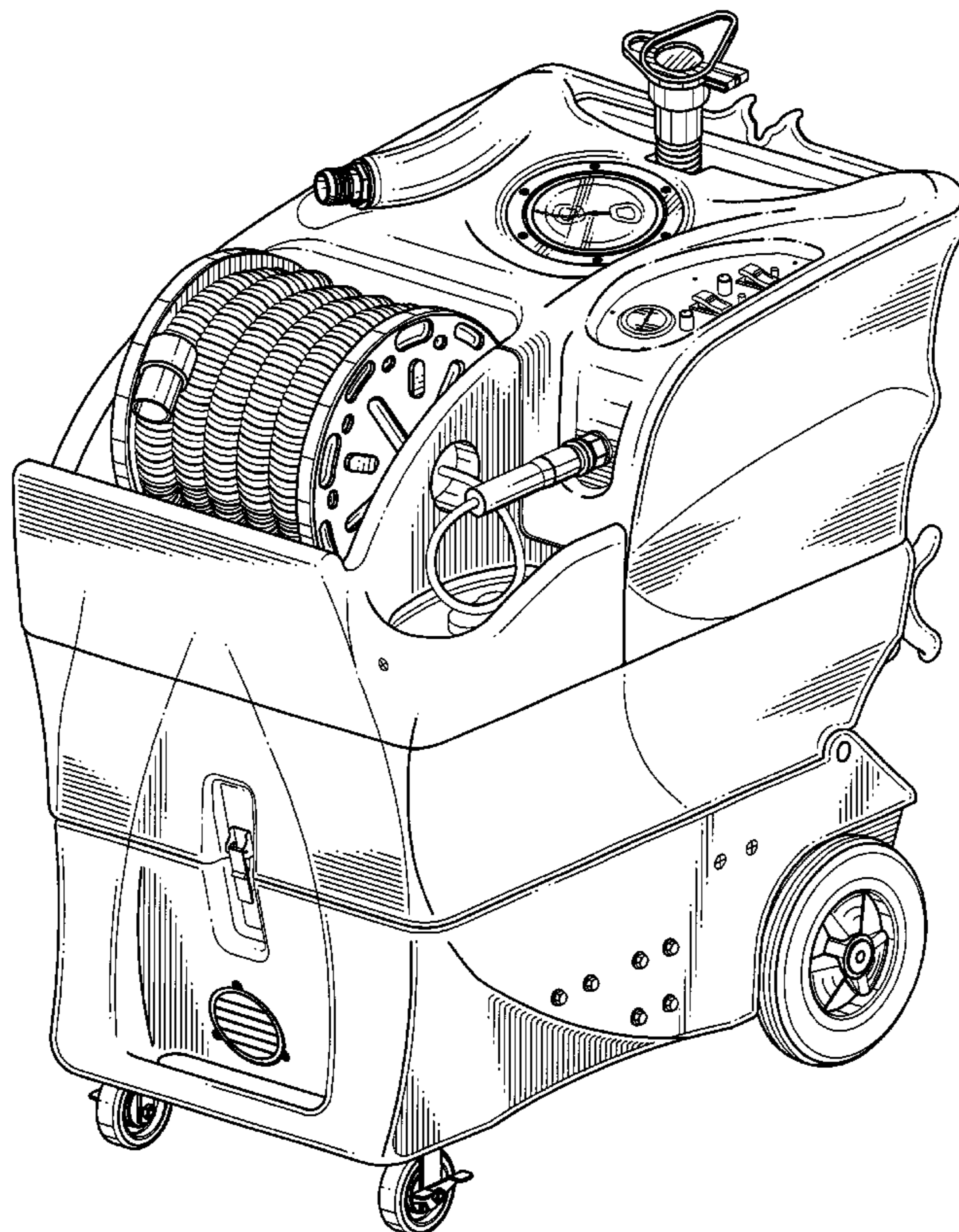
FIG. 4 is a side elevation view of the cleaning apparatus of the present invention, and which shows our new design taken from a position opposite to that shown in FIG. 3.

FIG. 5 is a front elevation view of the cleaning apparatus of the present invention, and which shows our new design.

FIG. 6 is a rear elevation view of the cleaning apparatus of the present invention, and which shows our new design; and,

FIG. 7 is a bottom plan view of the cleaning apparatus of the present invention, and which shows our new design.

**1 Claim, 7 Drawing Sheets**



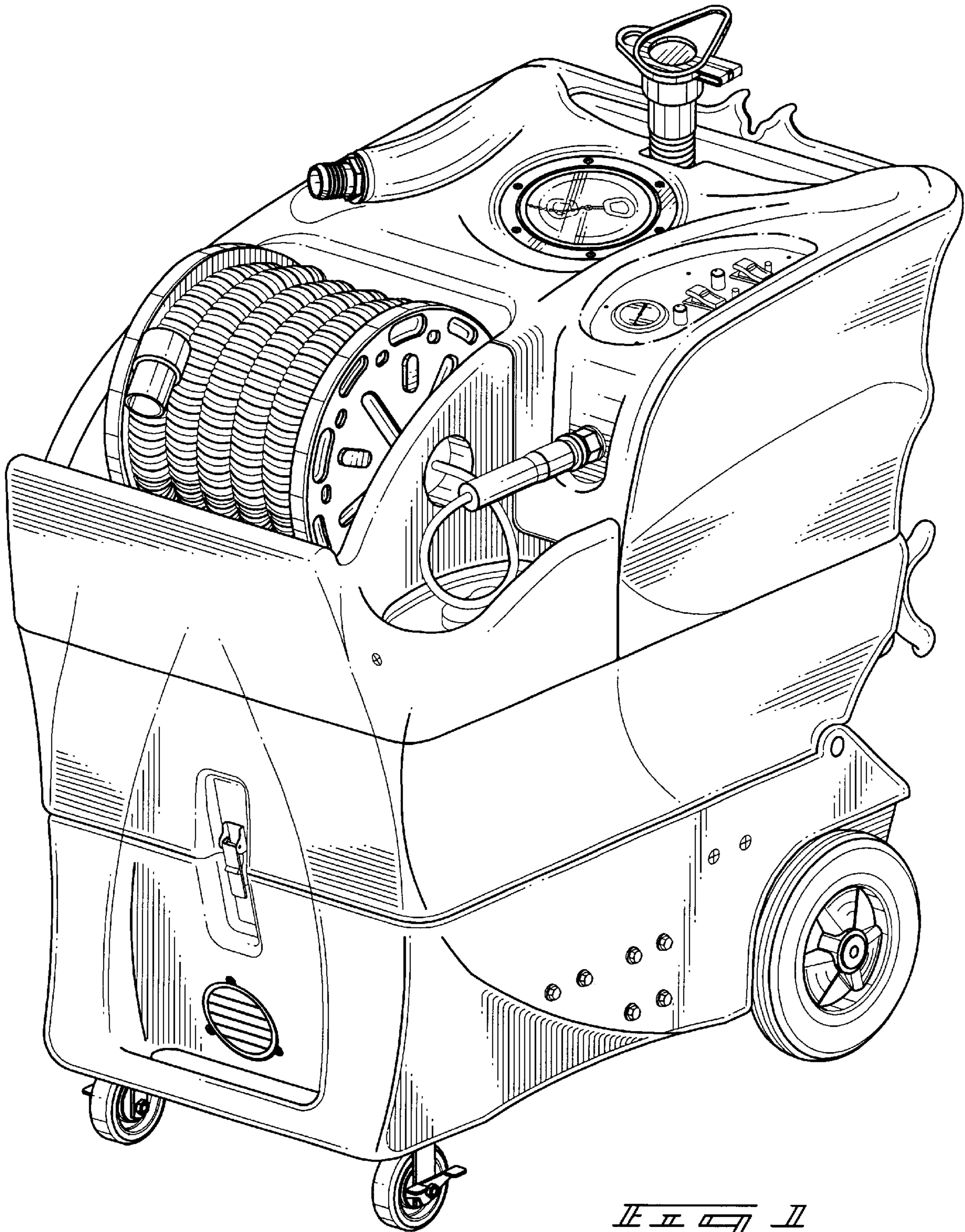
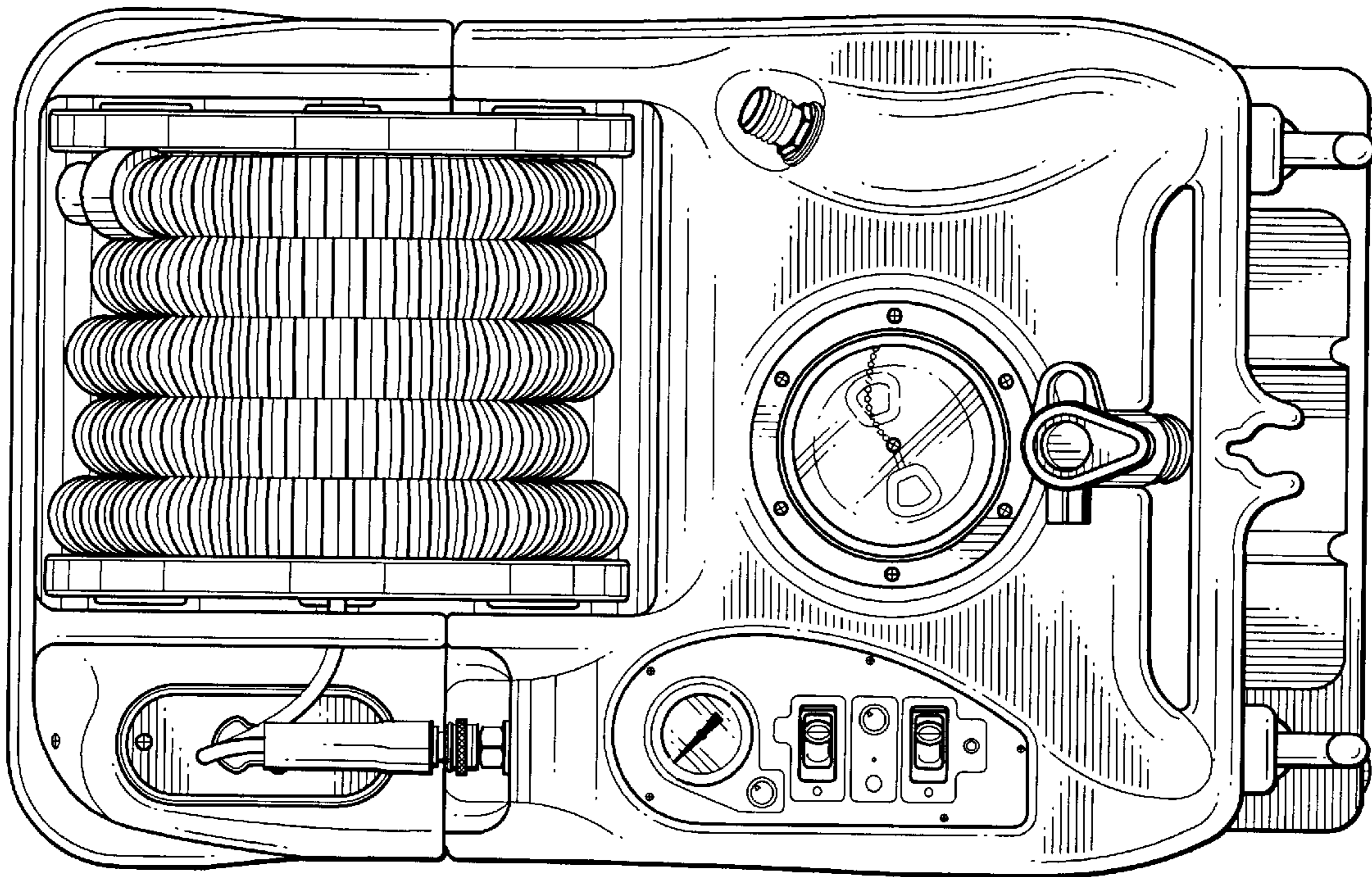


Fig. 1



*Fig. 2*

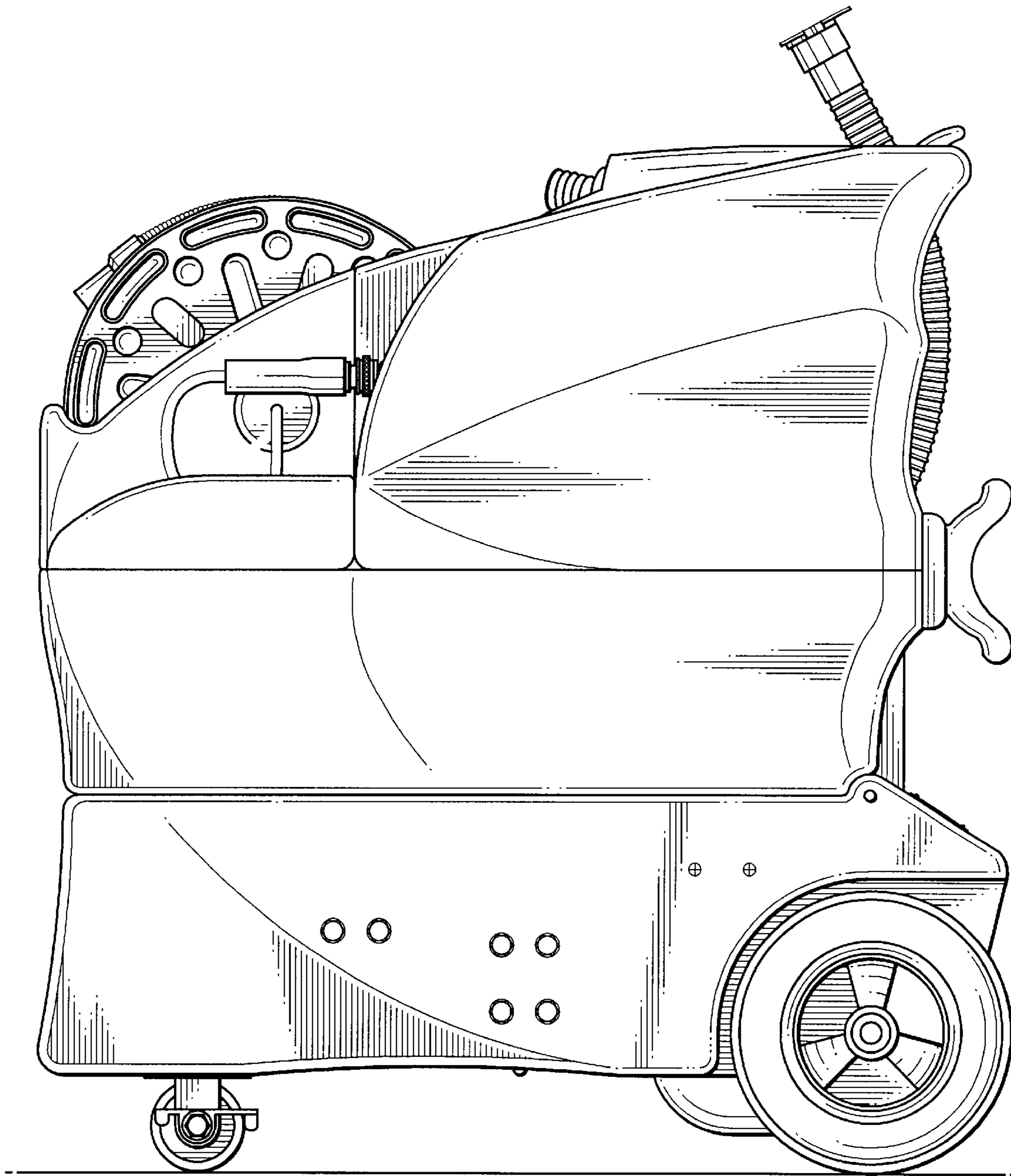
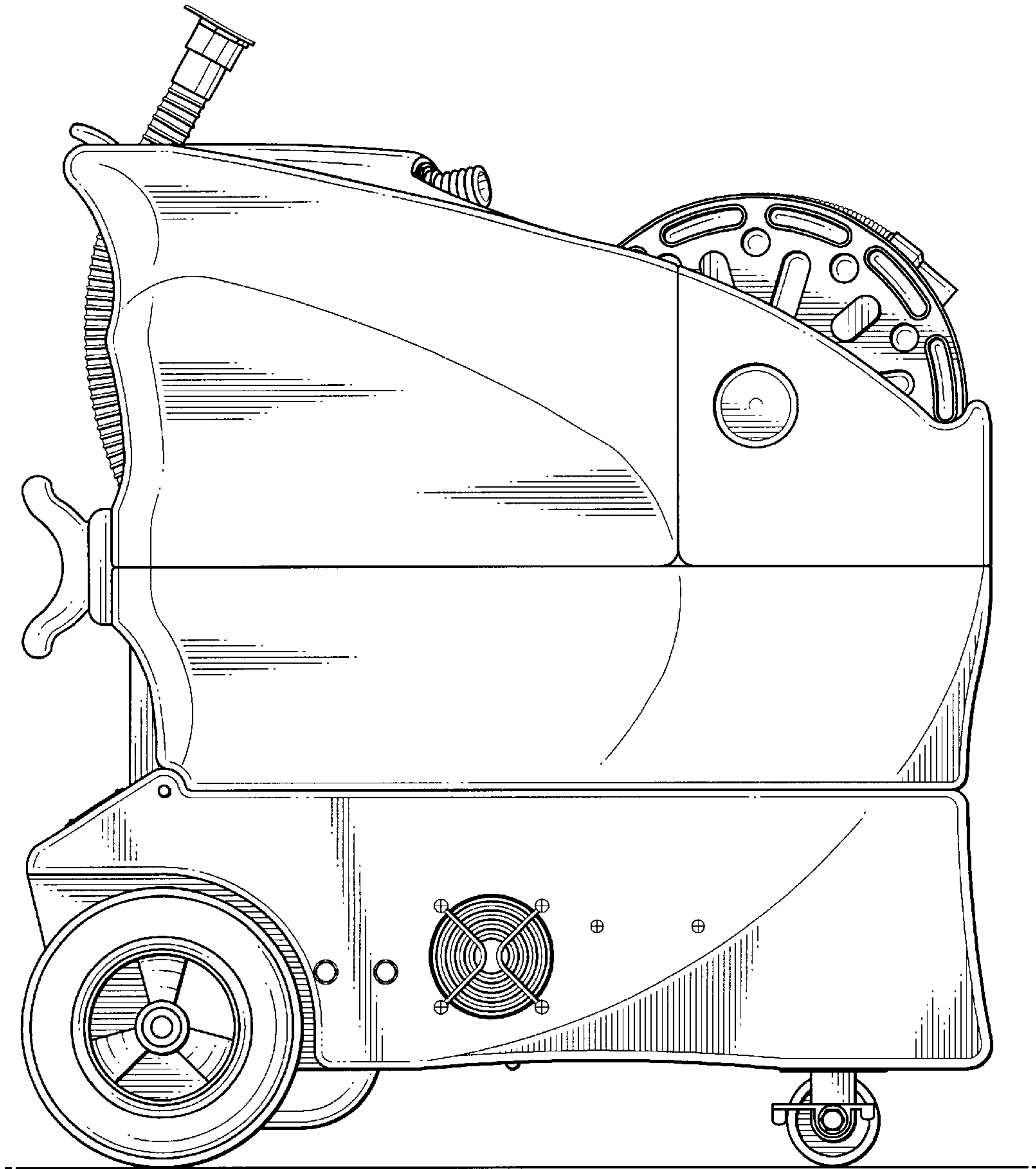
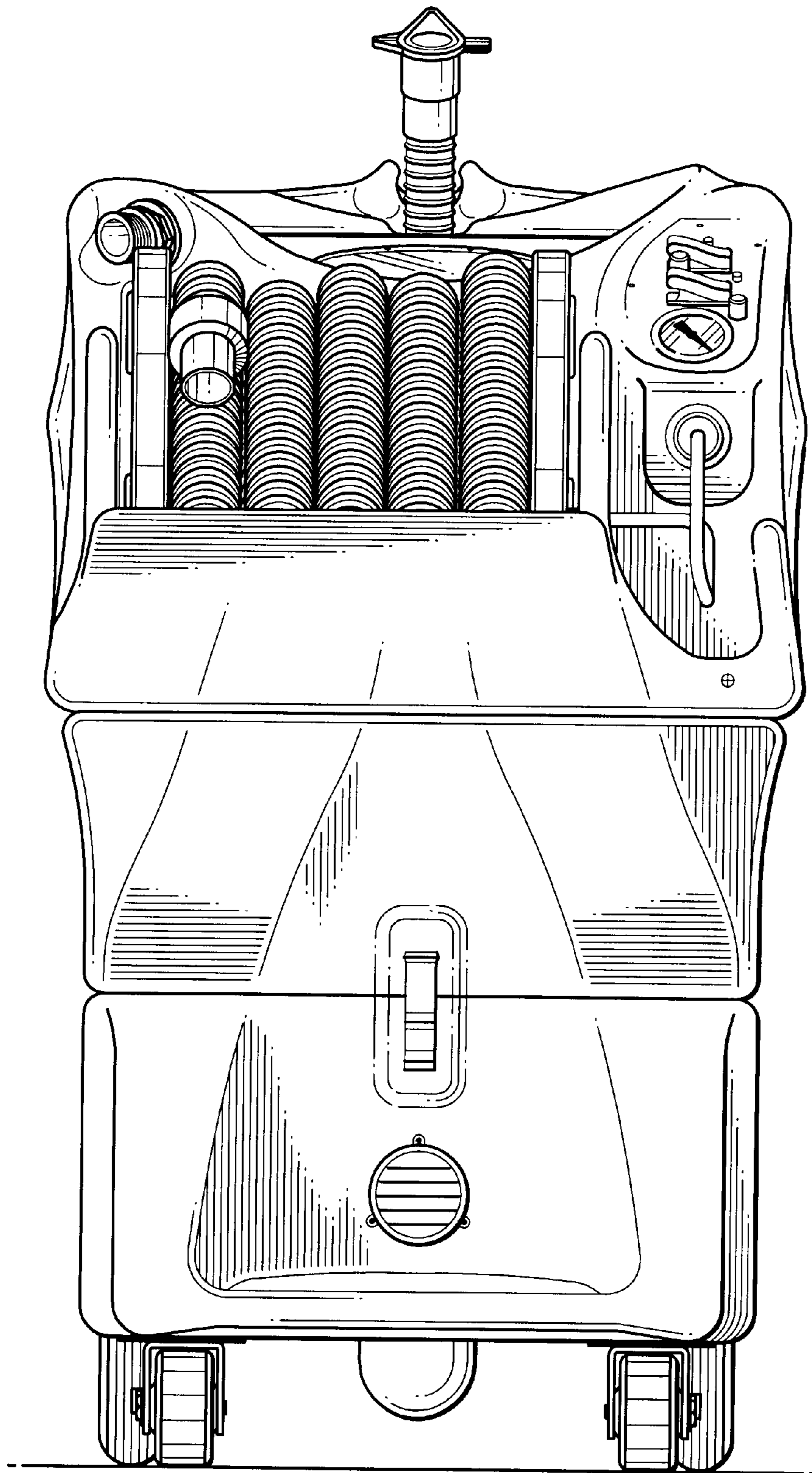


FIG. 3



*Fig. 4*



*Figure 5*

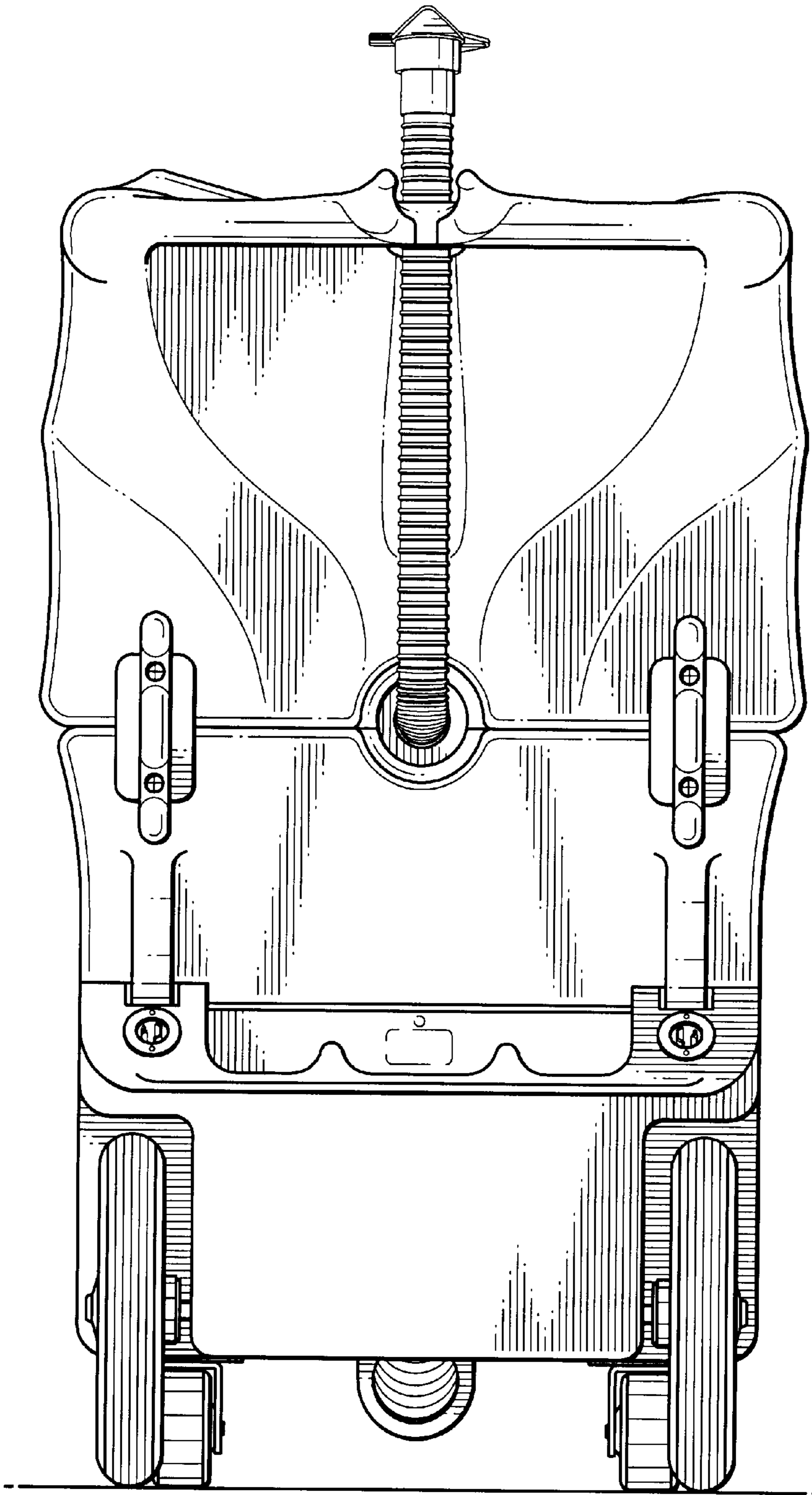


FIG. 6

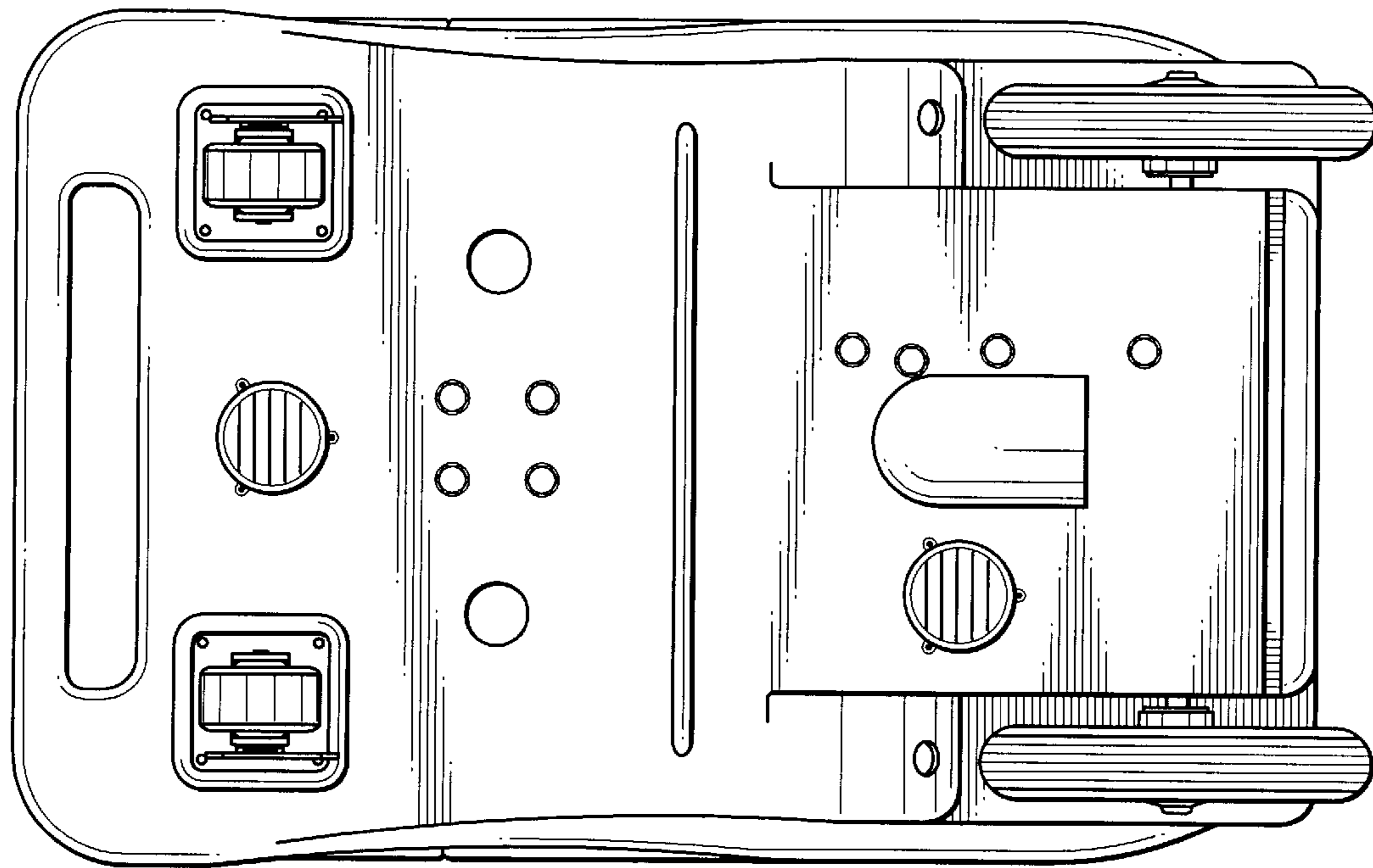


FIG. 7