



US00D524996S

(12) **United States Design Patent**
Delino

(10) **Patent No.:** **US D524,996 S**

(45) **Date of Patent:** **** Jul. 11, 2006**

(54) **PET CARRIER**

(76) **Inventor:** **Jody Craig Delino**, 2003 Wapato Cove,
Round Rock, TX (US) 78664

(**) **Term:** **14 Years**

(21) **Appl. No.:** **29/206,555**

(22) **Filed:** **Jun. 1, 2004**

(51) **LOC (8) Cl.** **30-02**

(52) **U.S. Cl.** **D30/109**

(58) **Field of Classification Search** D30/108,
D30/109, 112, 114-118, 161; 119/28.5, 496
See application file for complete search history.

(56) **References Cited**

U.S. PATENT DOCUMENTS

2,538,778	A	*	1/1951	Halpin	119/497
D171,740	S	*	3/1954	Yellin	D30/109
D331,131	S	*	11/1992	Quillen	D30/109
D367,733	S	*	3/1996	Paxman et al.	D30/109
D376,225	S	*	12/1996	Hauck	D30/109
D443,958	S	*	6/2001	Chrisco et al.	D30/109
D451,647	S	*	12/2001	Chrisco et al.	D30/109

6,427,631	B1	*	8/2002	Ross	119/496
D467,041	S	*	12/2002	Cortes-Reuter	D30/109
D468,872	S	*	1/2003	Woehler	D30/108
6,647,925	B1	*	11/2003	Walters	119/494

* cited by examiner

Primary Examiner—Louis S. Zarfes

Assistant Examiner—Anhdao Doan

(74) *Attorney, Agent, or Firm*—David O. Simmons

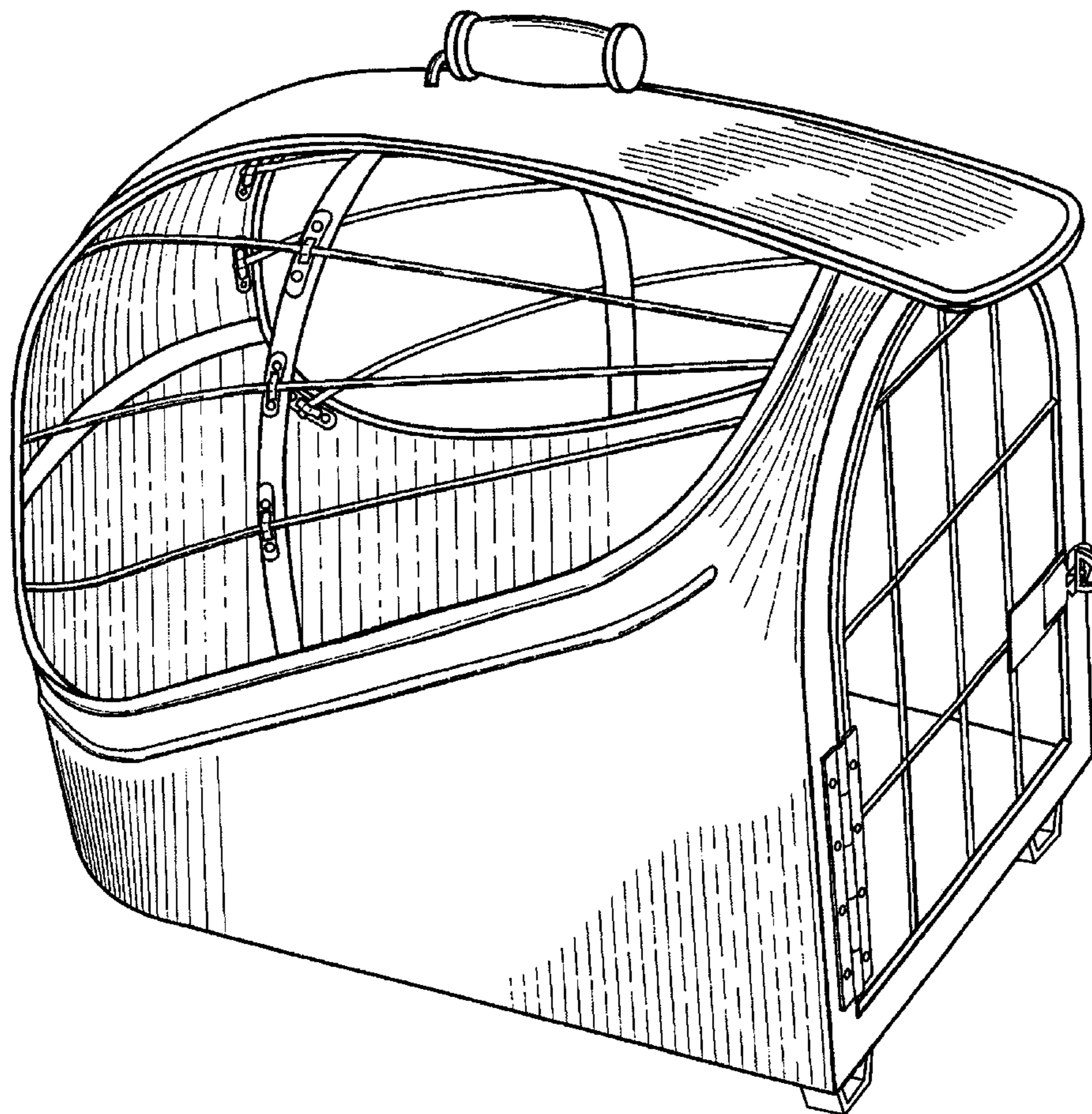
(57) **CLAIM**

The ornamental design for a pet carrier, substantially as shown.

DESCRIPTION

FIG. 1 is a perspective view of a pet carrier in accordance with the present invention;
FIG. 2 is a left side view thereof;
FIG. 3 is a right side view thereof;
FIG. 4 is a front view thereof;
FIG. 5 is a rear view thereof;
FIG. 6 is a top view thereof; and,
FIG. 7 is a bottom view thereof.

1 Claim, 7 Drawing Sheets



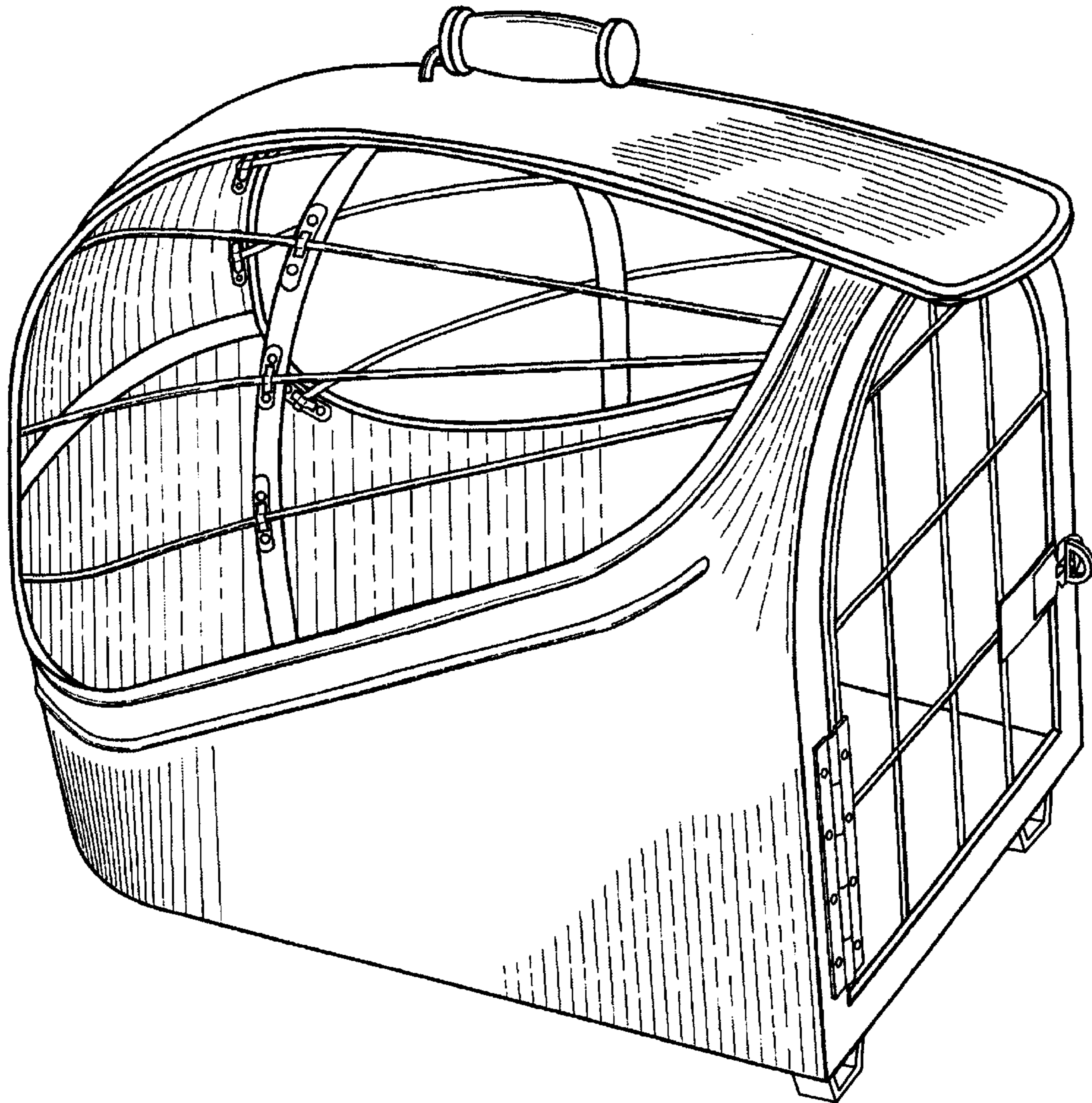


FIG. 1

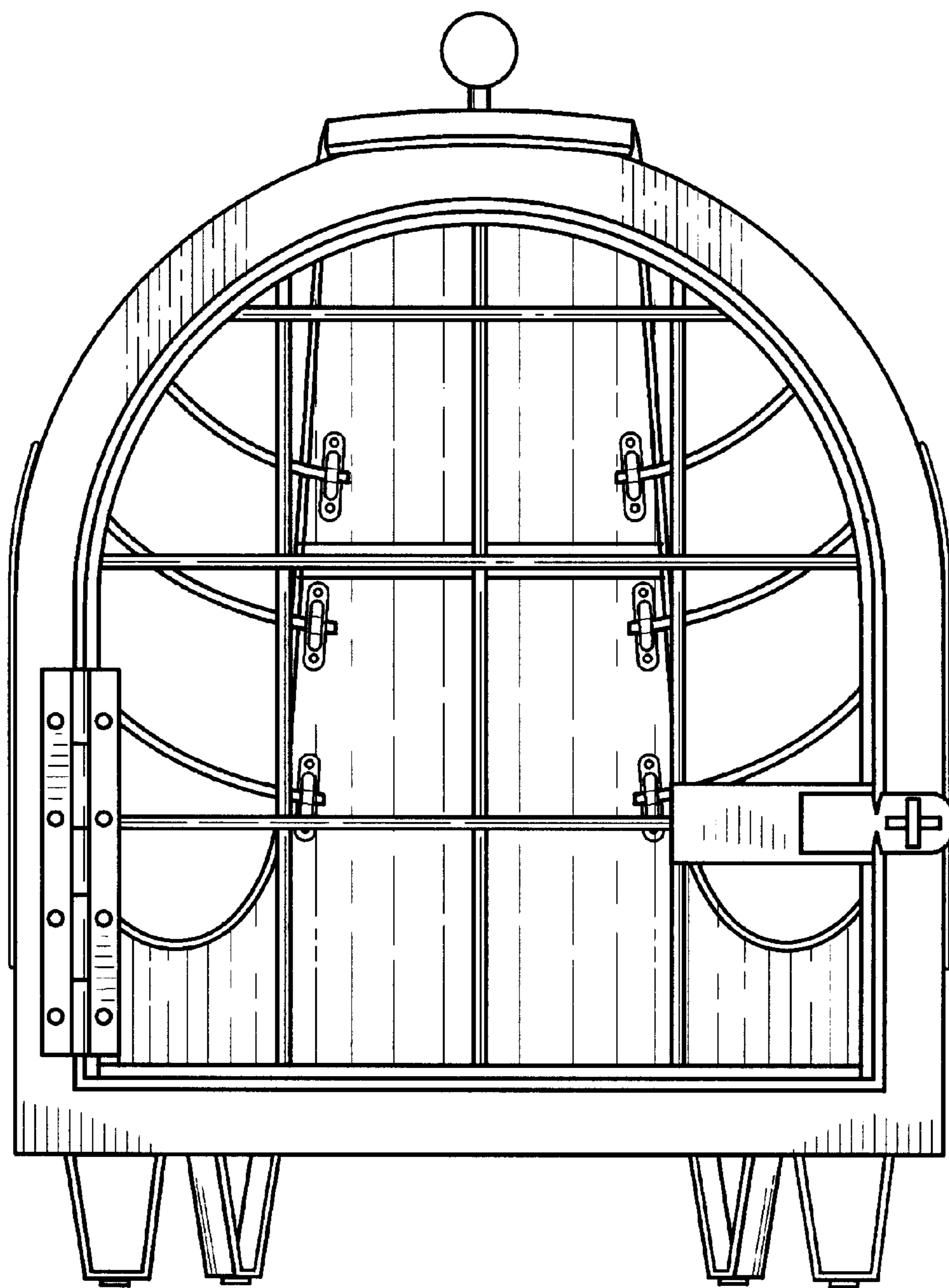


FIG. 2

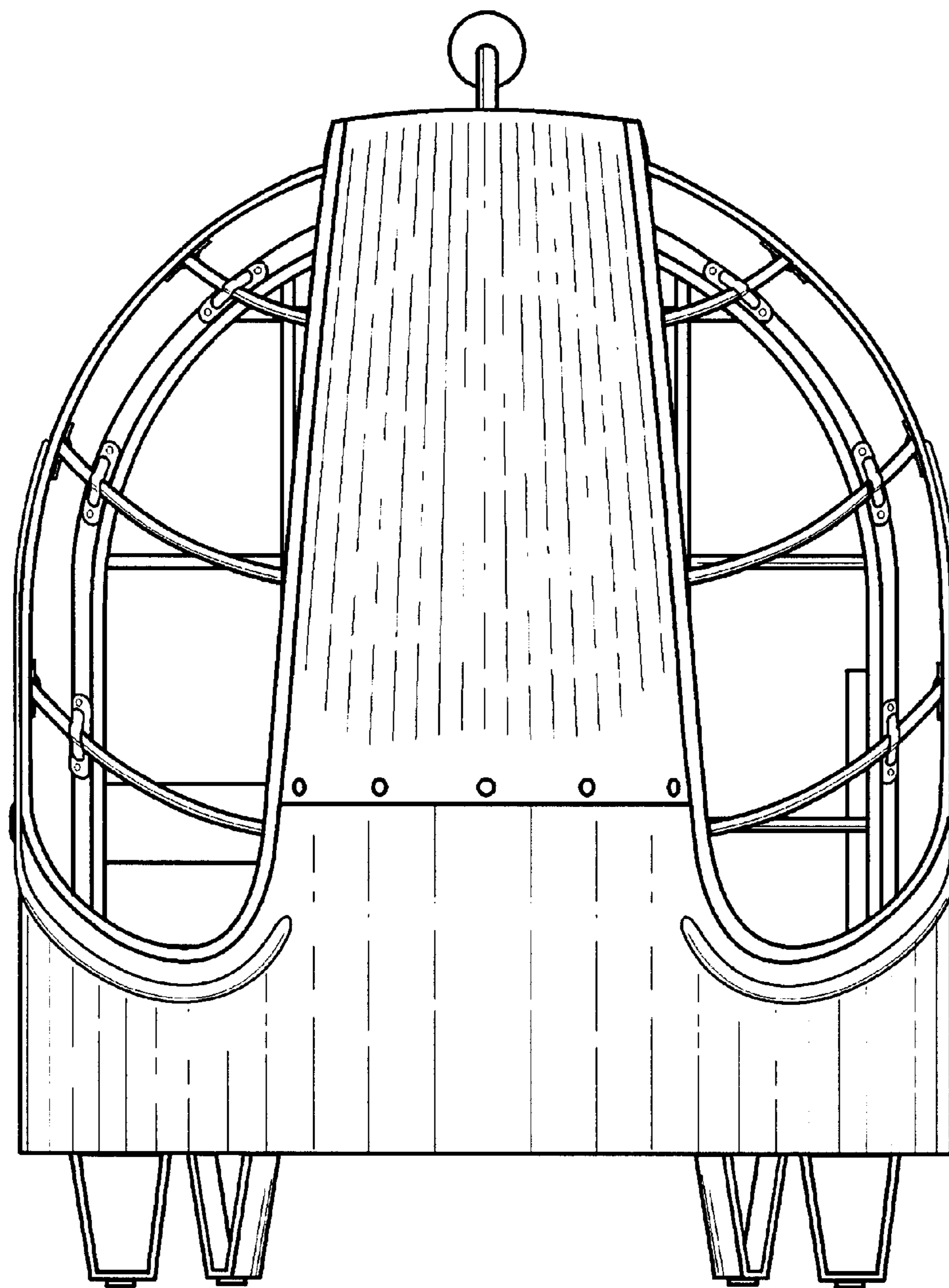


FIG. 3

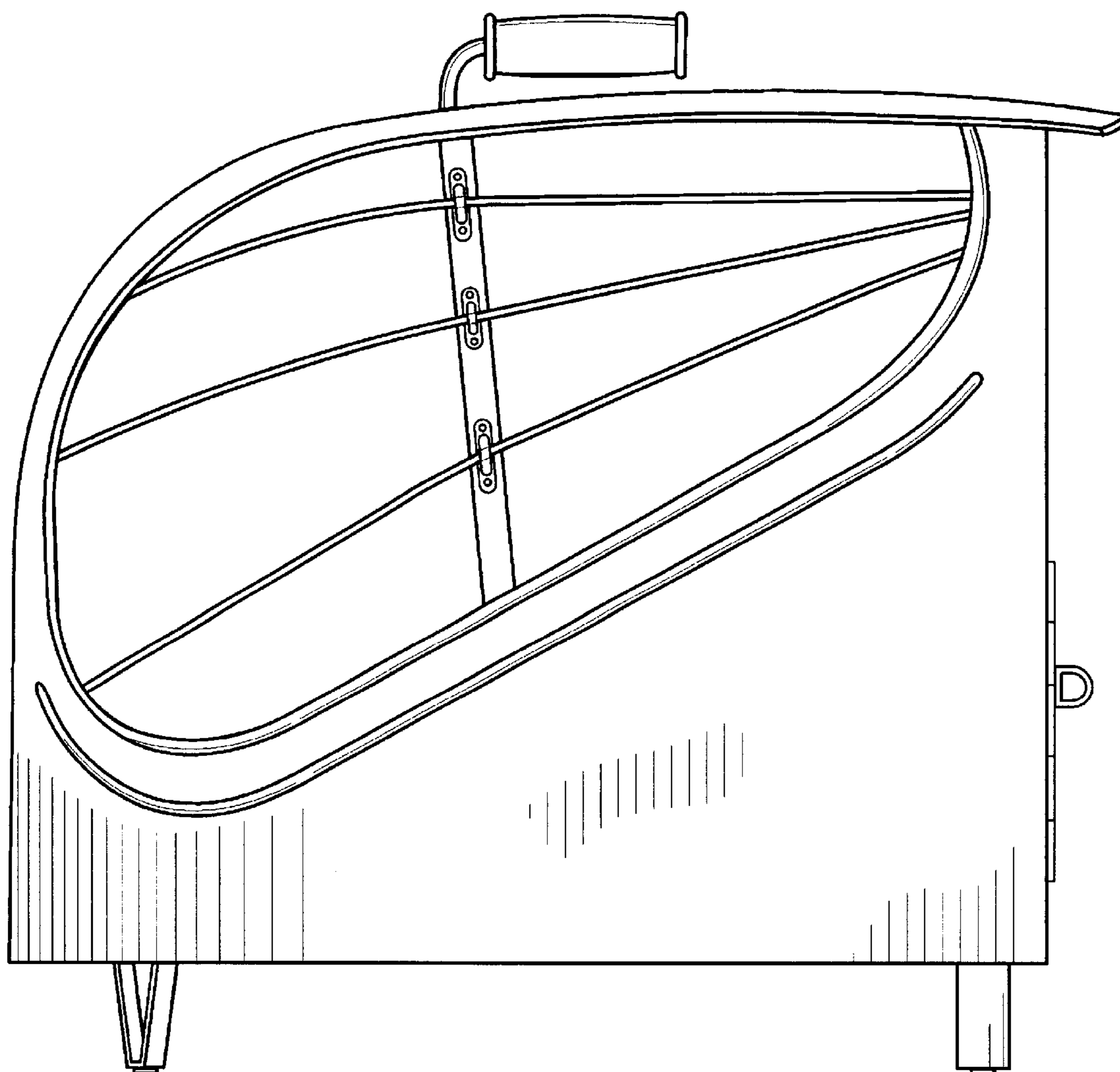


FIG. 4

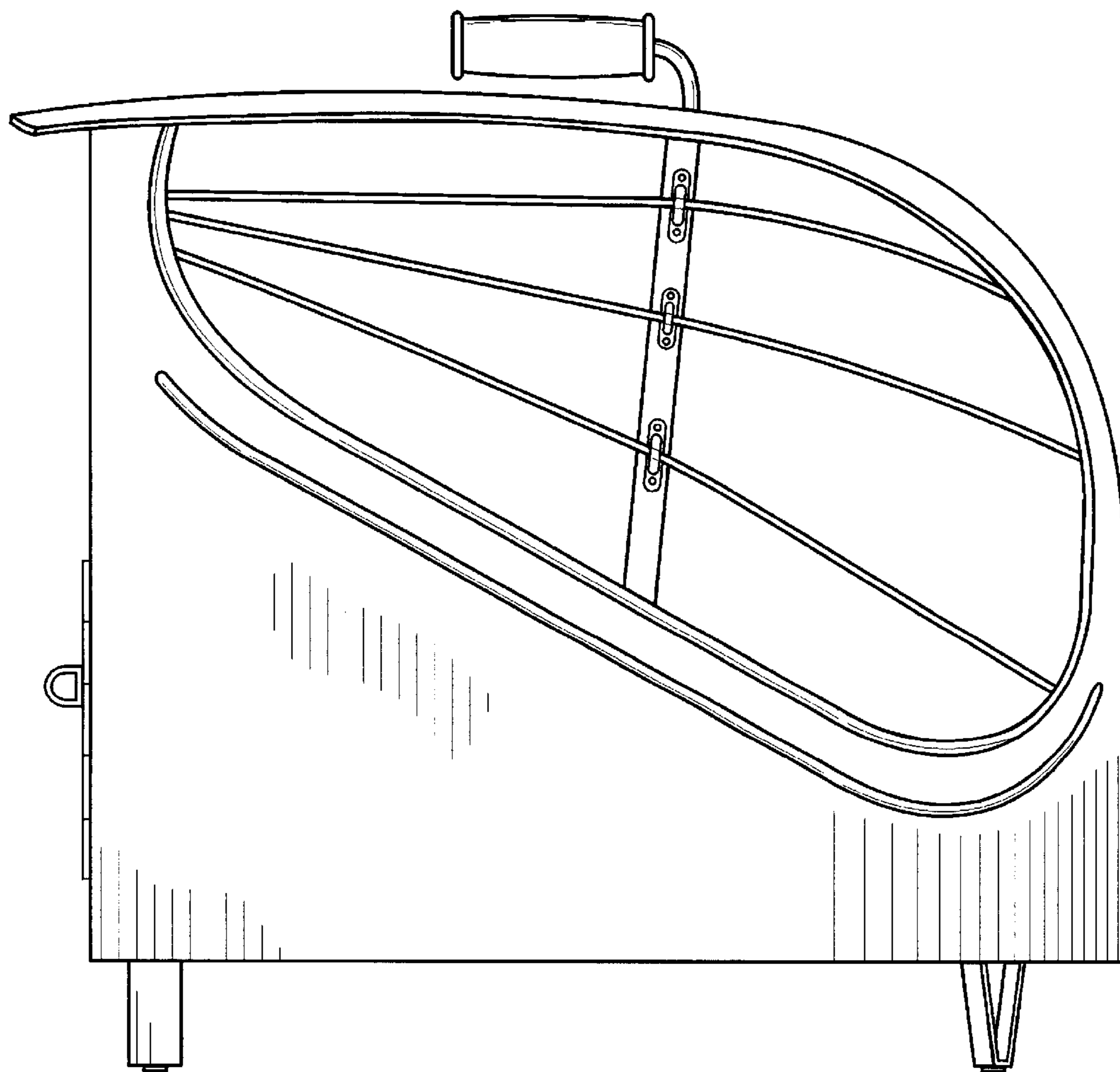


FIG. 5

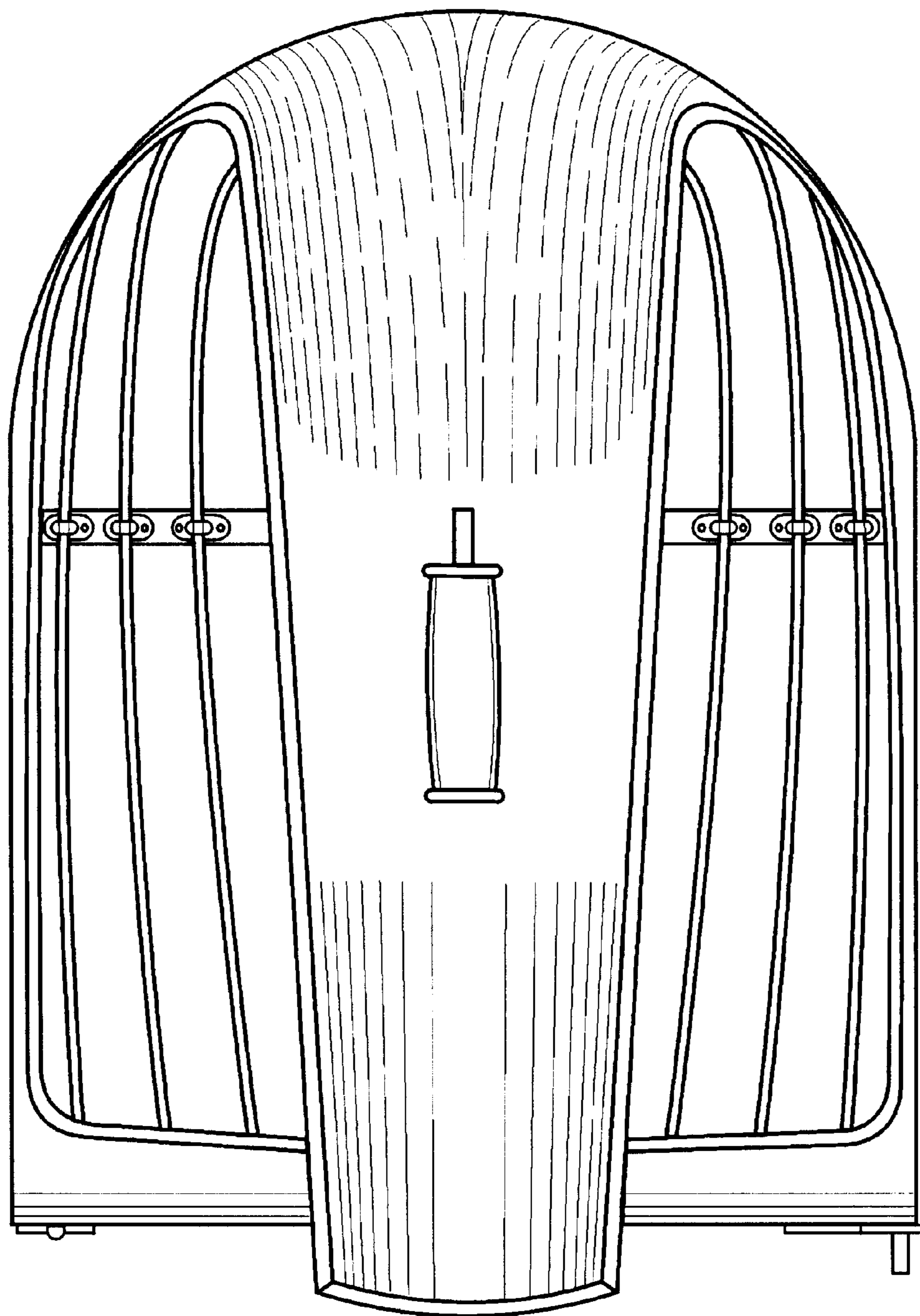


FIG. 6

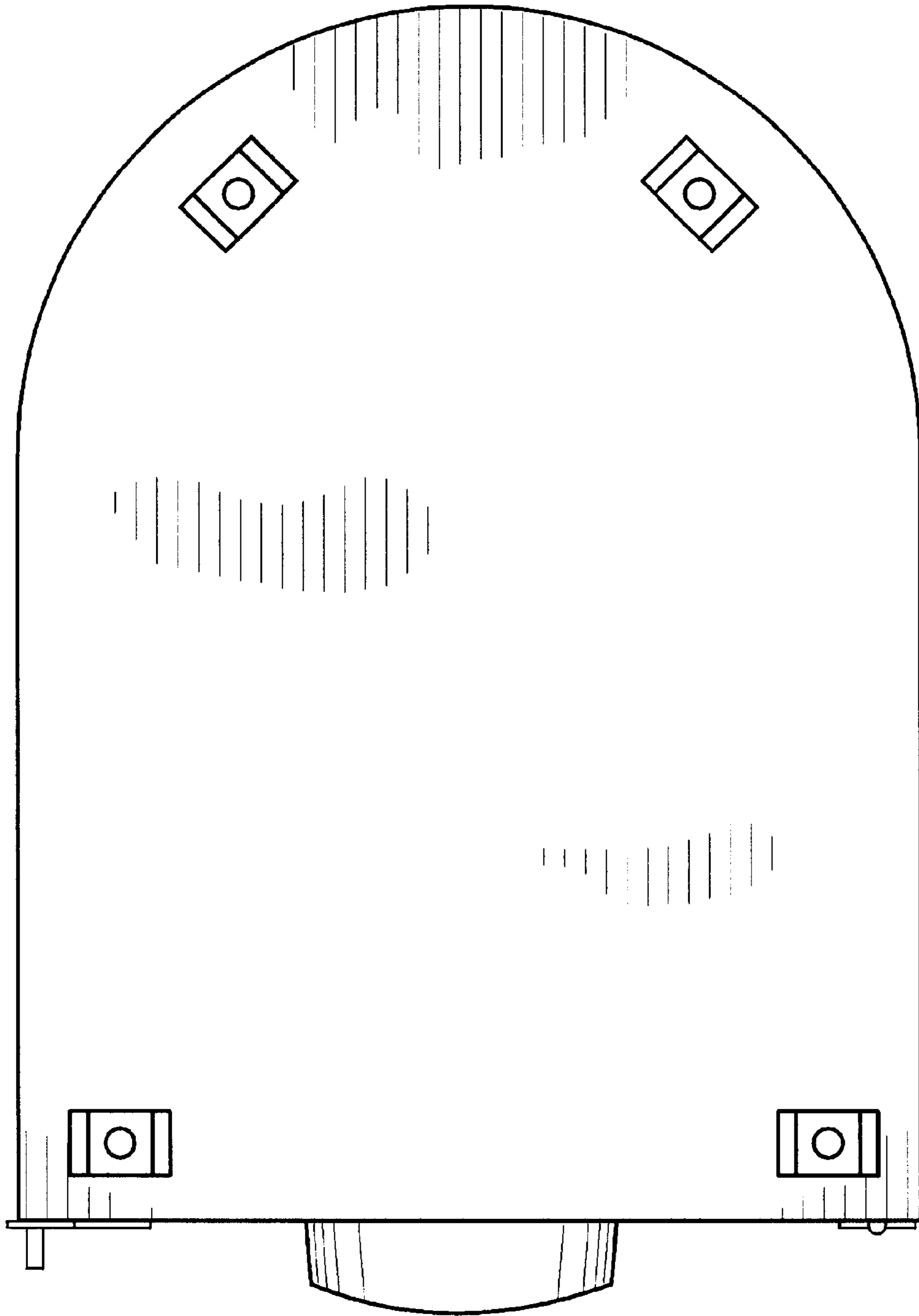


FIG. 7