



US00D524989S

(12) **United States Design Patent**  
**Lombardi**

(10) **Patent No.:** **US D524,989 S**

(45) **Date of Patent:** **\*\* Jul. 11, 2006**

(54) **COSMETICS COMPACT**

(75) Inventor: **Carl M. Lombardi**, Lloyd Harbor, NY (US)

(73) Assignee: **Lombardi Design and Manufacturing**, Freeport, NY (US)

(\*\*) Term: **14 Years**

(21) Appl. No.: **29/228,805**

(22) Filed: **Apr. 28, 2005**

(51) **LOC (8) Cl.** ..... **28-03**

(52) **U.S. Cl.** ..... **D28/82**

(58) **Field of Classification Search** ..... D28/76,  
D28/77, 78, 82; 132/293-307; 206/581, 823;  
220/4.22, 4.27

See application file for complete search history.

(56) **References Cited**

**U.S. PATENT DOCUMENTS**

1,460,950	A	7/1923	Denney	
1,463,259	A	7/1923	Flagg	
1,688,042	A	10/1928	Gaess	
3,392,868	A	7/1968	Pfrommer	
3,441,033	A	4/1969	Flax	
3,476,123	A	11/1969	Flax	
4,165,815	A *	8/1979	Vetter	220/4.27
4,239,308	A	12/1980	Bradley	
4,807,773	A	2/1989	Tsai	
6,041,935	A *	3/2000	Yang	206/581
6,302,120	B1	10/2001	Kuo	
D471,321	S *	3/2003	Lai	D28/82
D483,527	S *	12/2003	Ashiwa et al.	D28/91
2004/0237994	A1 *	12/2004	Delage	132/304

\* cited by examiner

*Primary Examiner*—Jennifer Rivard

(74) *Attorney, Agent, or Firm*—Bradley N. Ruben

(57) **CLAIM**

The ornamental design for the cosmetics compact, as shown and described.

**DESCRIPTION**

FIG. 1 is a perspective view taken from the side of the single pot cosmetics compact.

FIG. 2 is a perspective view taken from the opposing side of the single pot cosmetics compact.

FIG. 3 is a front view of the single pot cosmetics compact.

FIG. 4 is a rear view of the single pot cosmetics compact.

FIG. 5 is a side view of the single pot cosmetics compact.

FIG. 6 is an opposing side view of the single pot cosmetics compact.

FIG. 7 is a top view of the single pot cosmetics compact.

FIG. 8 is a bottom view of the single pot cosmetics compact.

FIG. 9 is a perspective view taken from the side of the dual pot cosmetics compact.

FIG. 10 is a perspective opposing view taken from the opposing side of the dual pot cosmetics compact.

FIG. 11 is a front view of the dual pot cosmetics compact.

FIG. 12 is a rear view of the dual pot cosmetics compact.

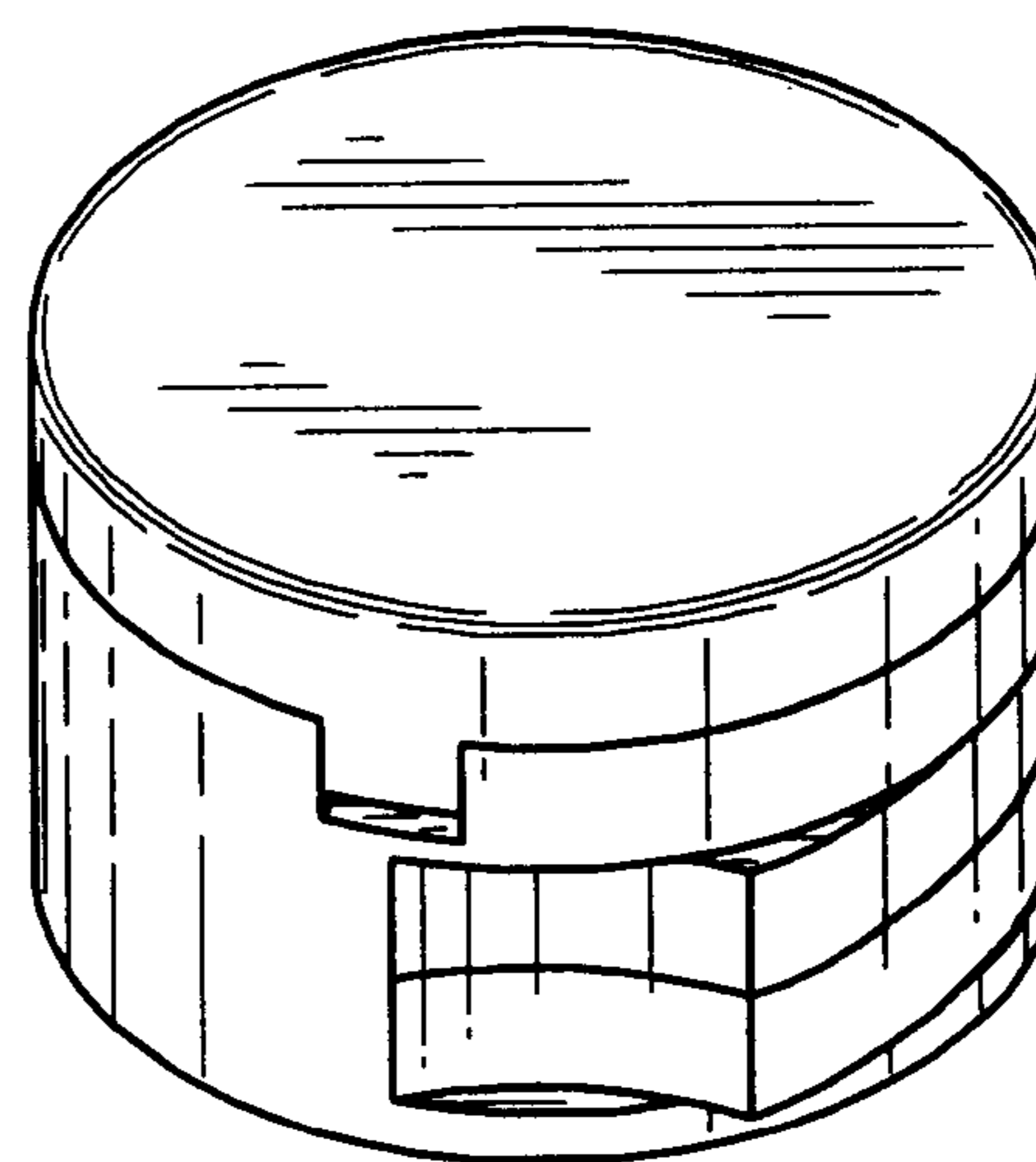
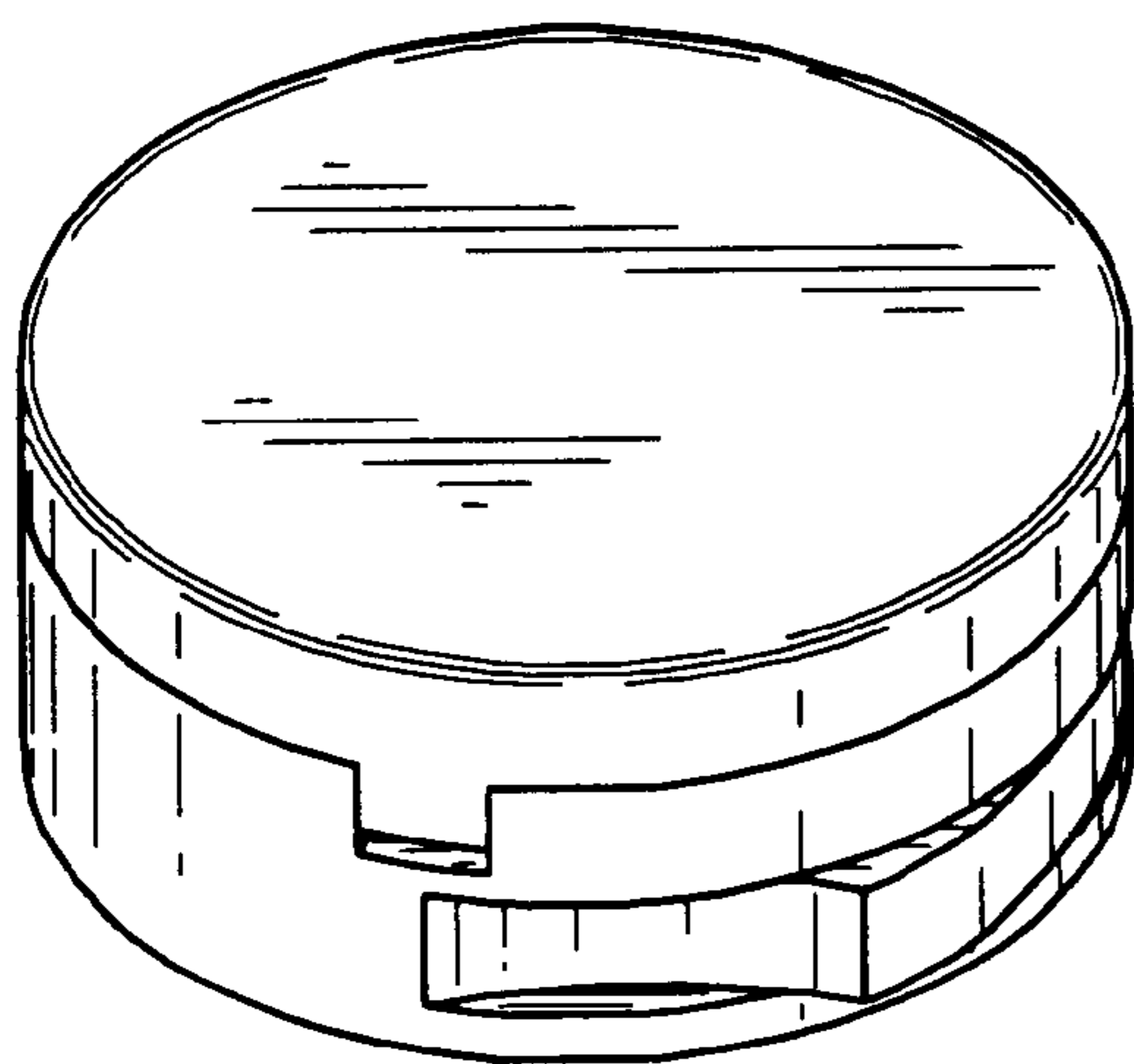
FIG. 13 is a side view of the dual pot cosmetics compact.

FIG. 14 is an opposing side view of the dual pot cosmetics compact.

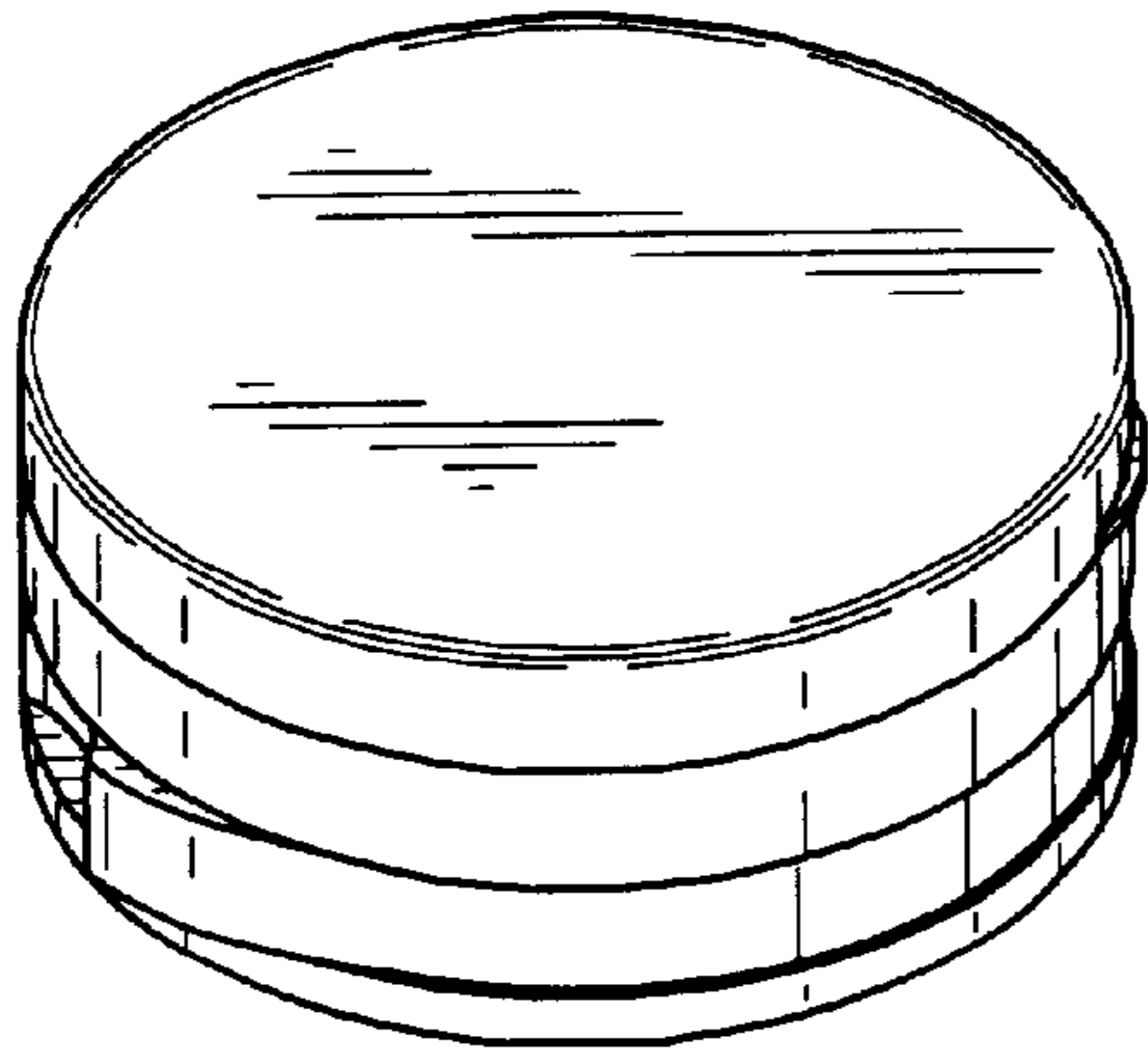
FIG. 15 is a top view of the dual pot cosmetics compact; and,

FIG. 16 is a bottom view of the dual pot cosmetics compact.

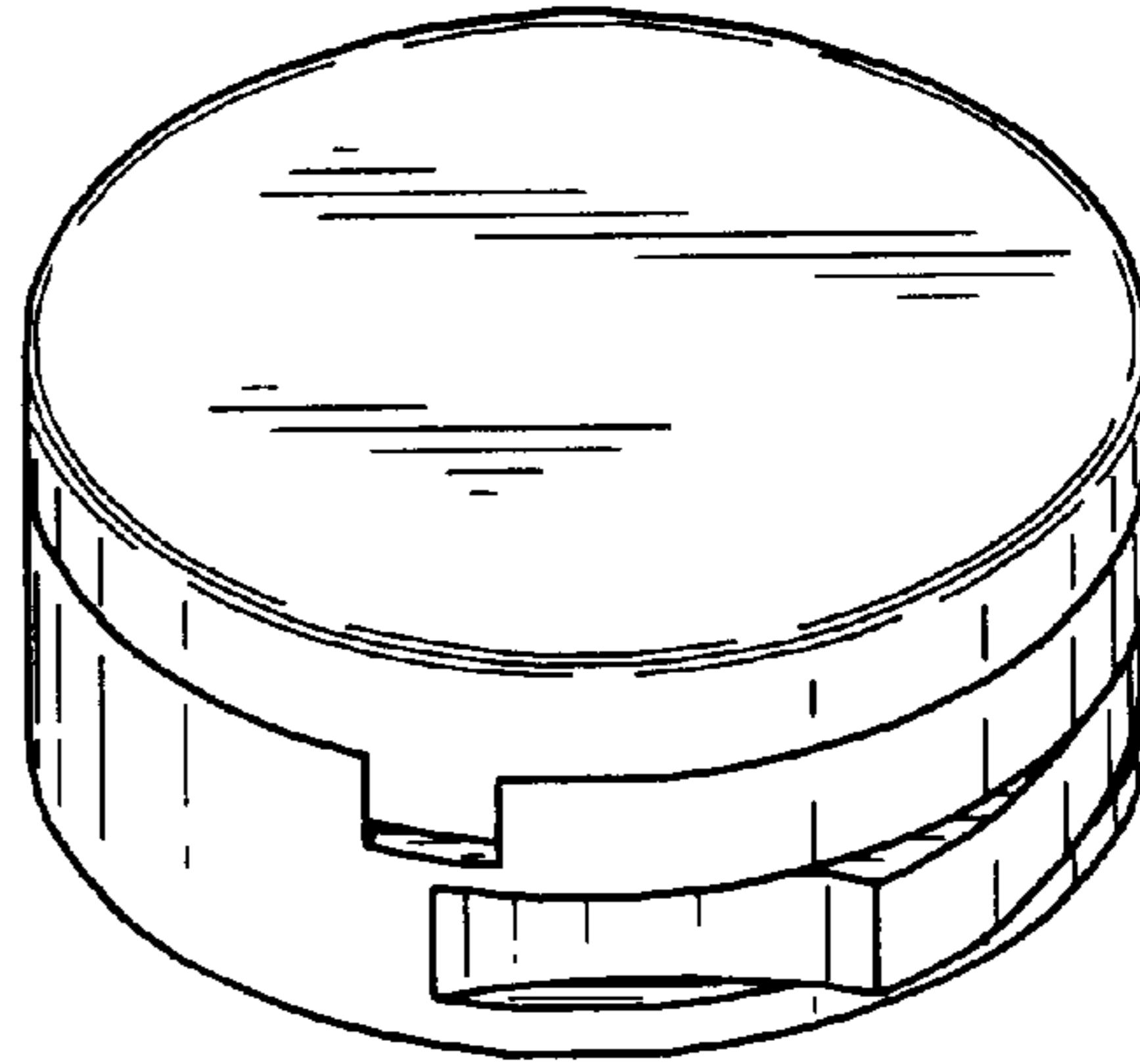
**1 Claim, 4 Drawing Sheets**



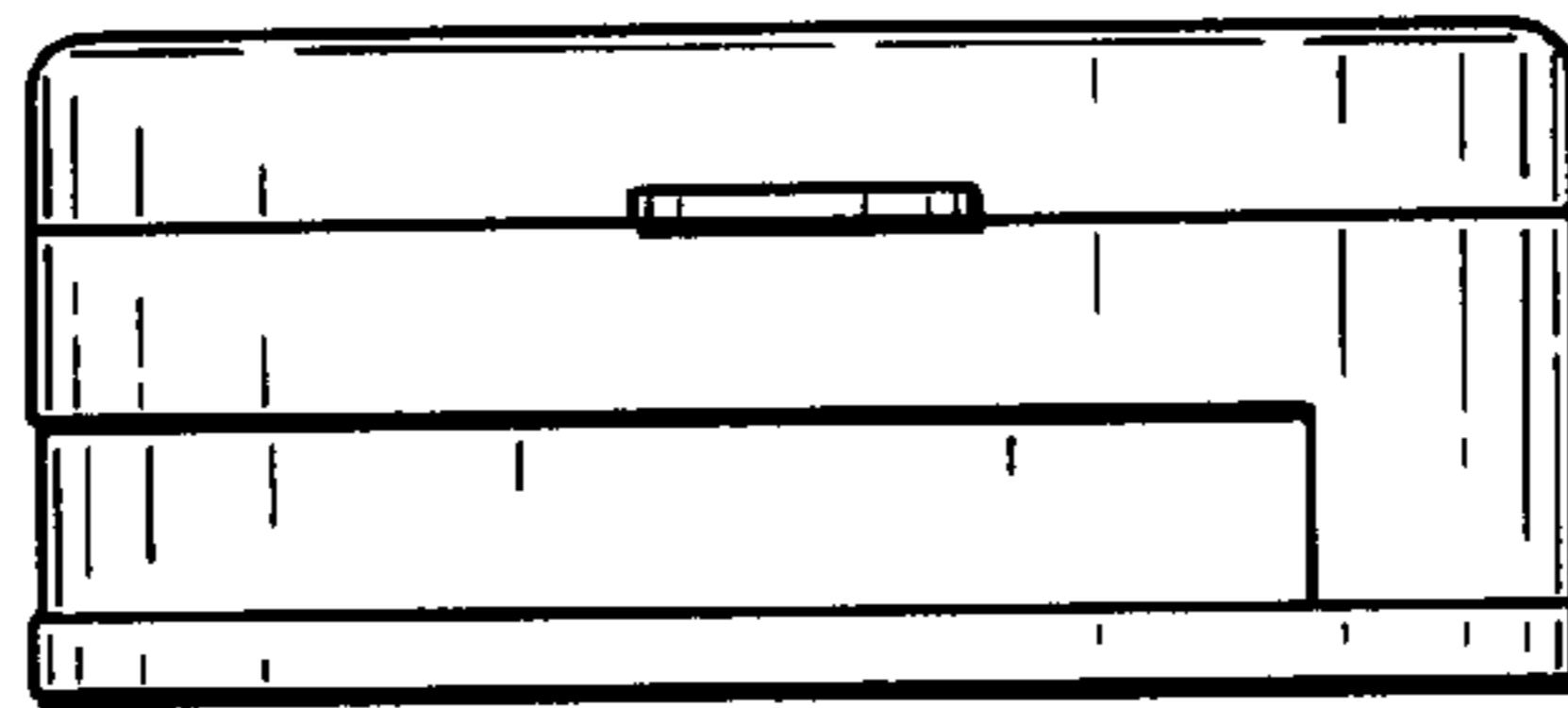
*FIG. 1*



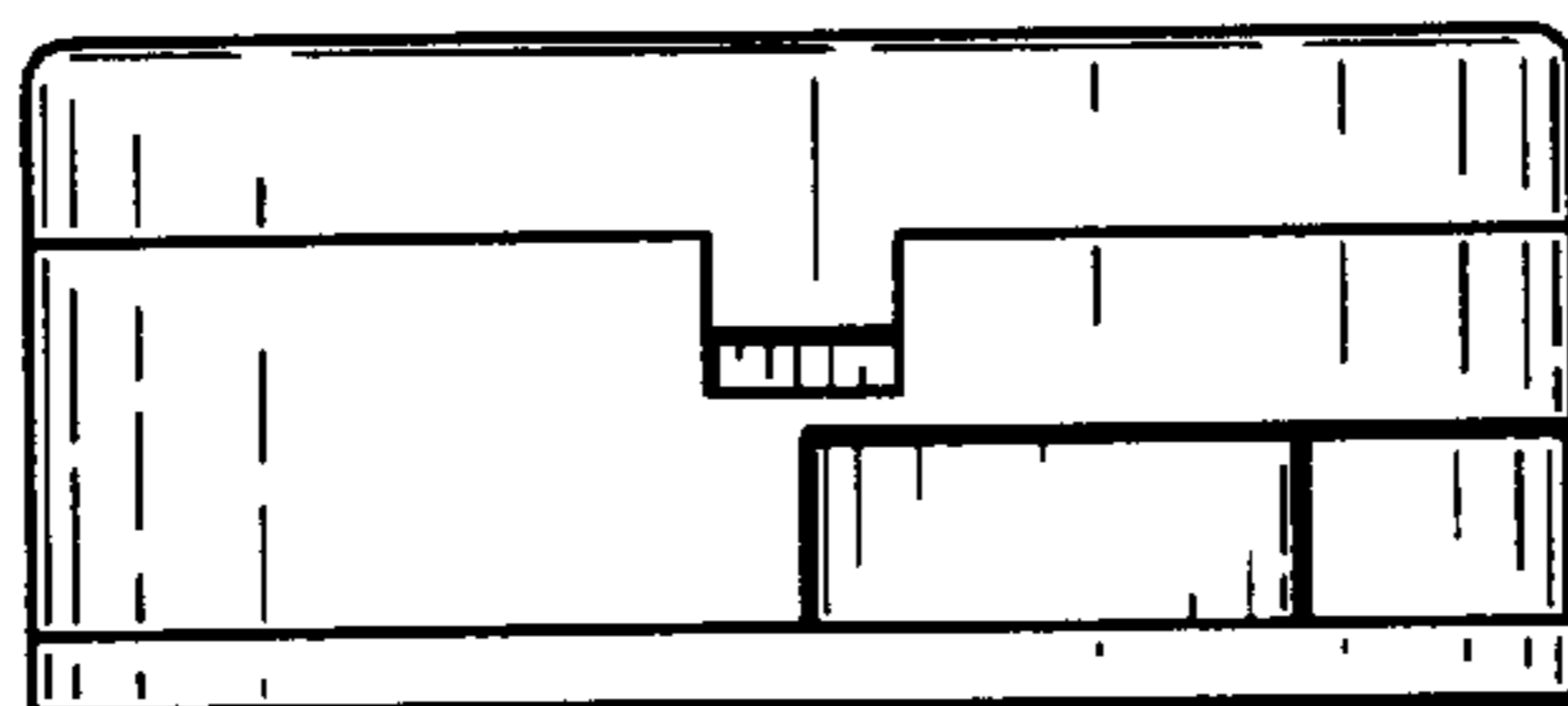
*FIG. 2*



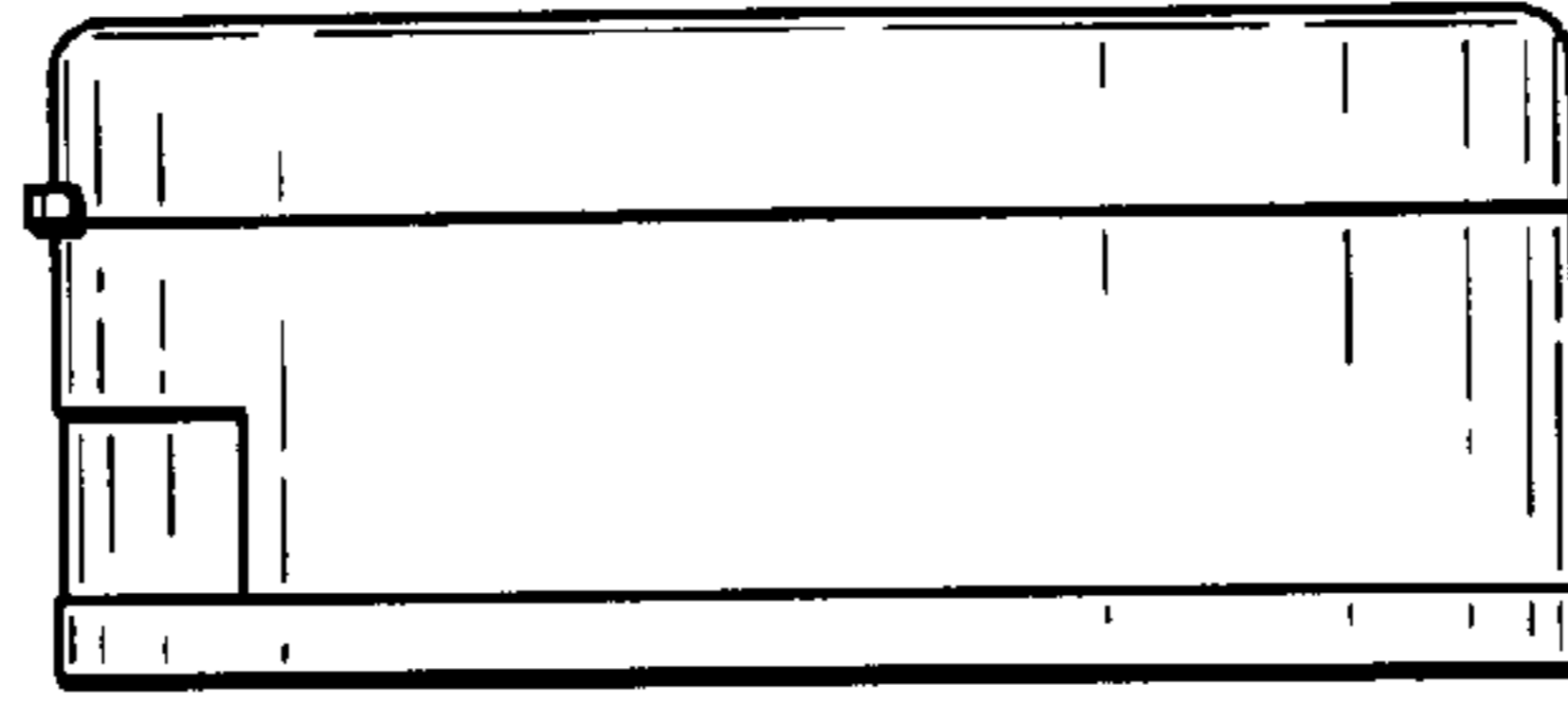
*FIG. 3*



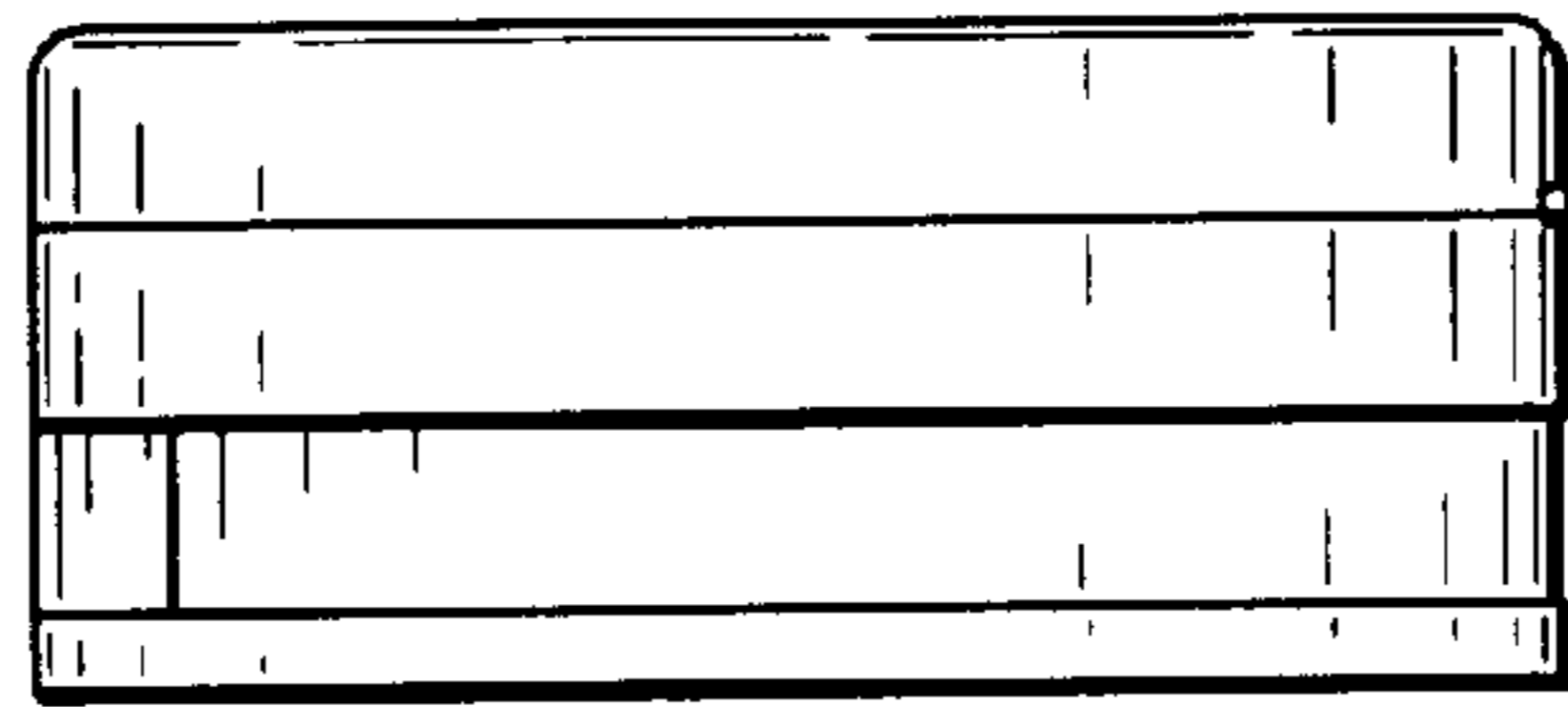
*FIG. 4*



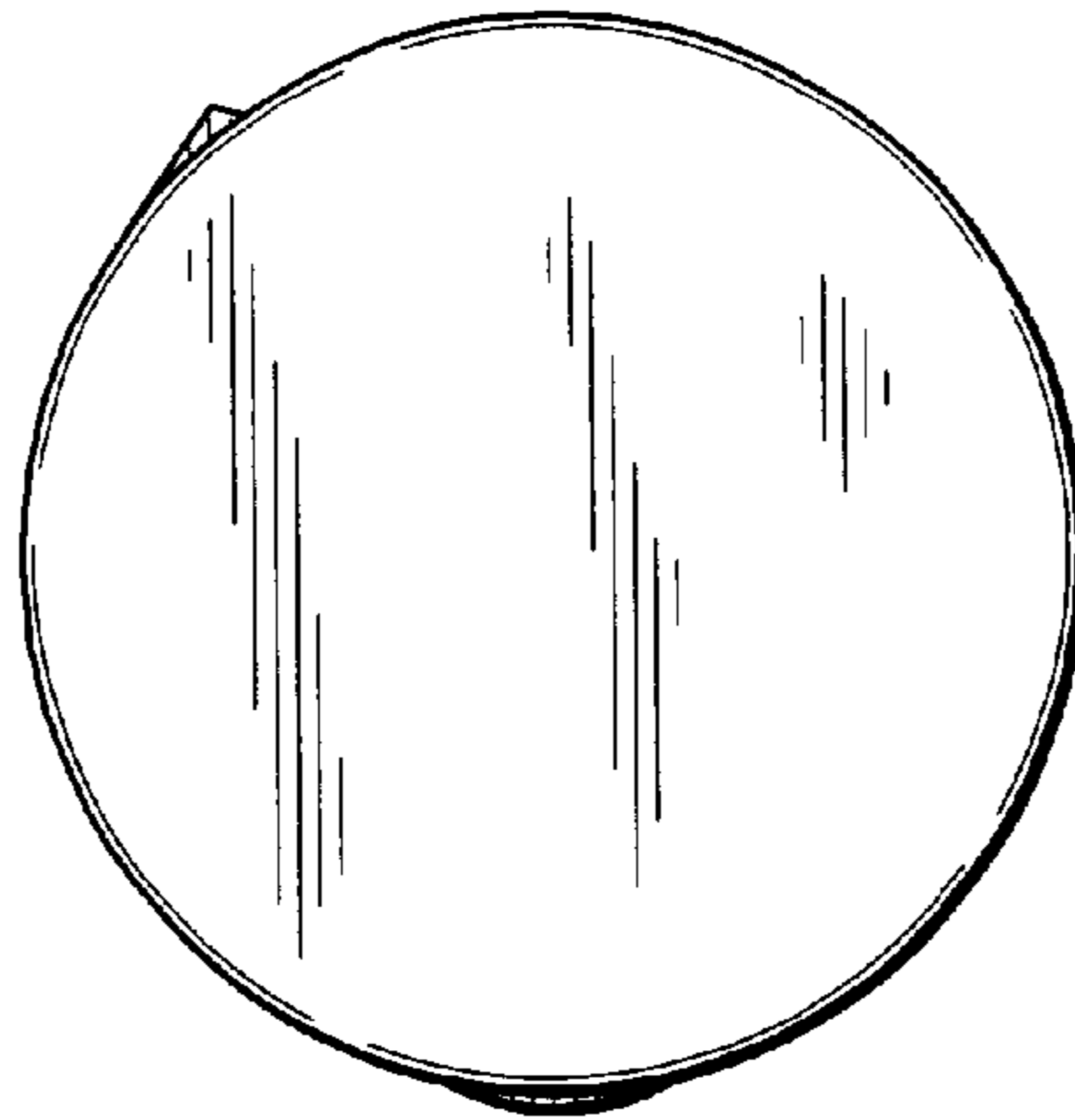
*FIG. 5*



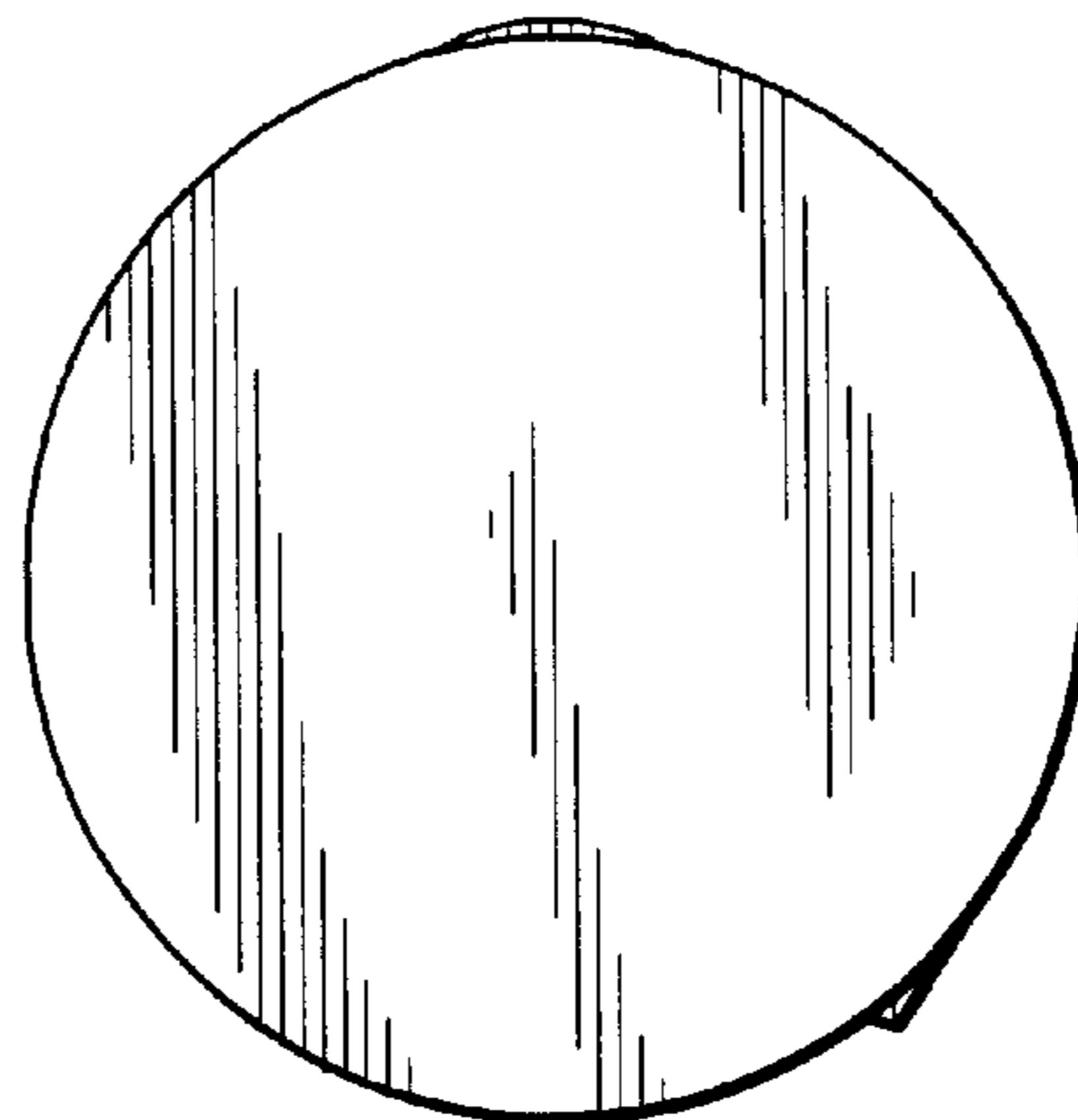
*FIG. 6*



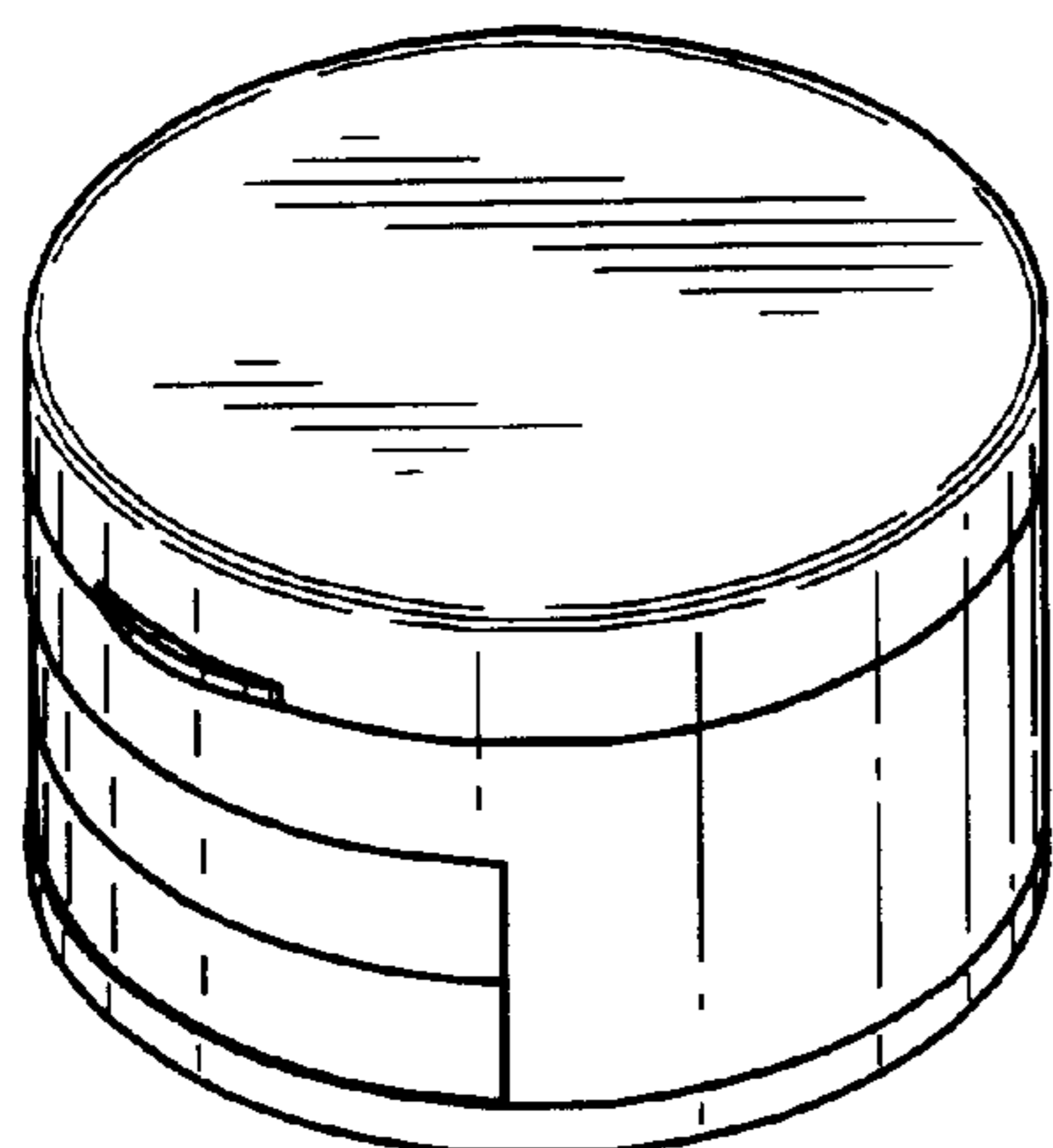
*FIG. 7*



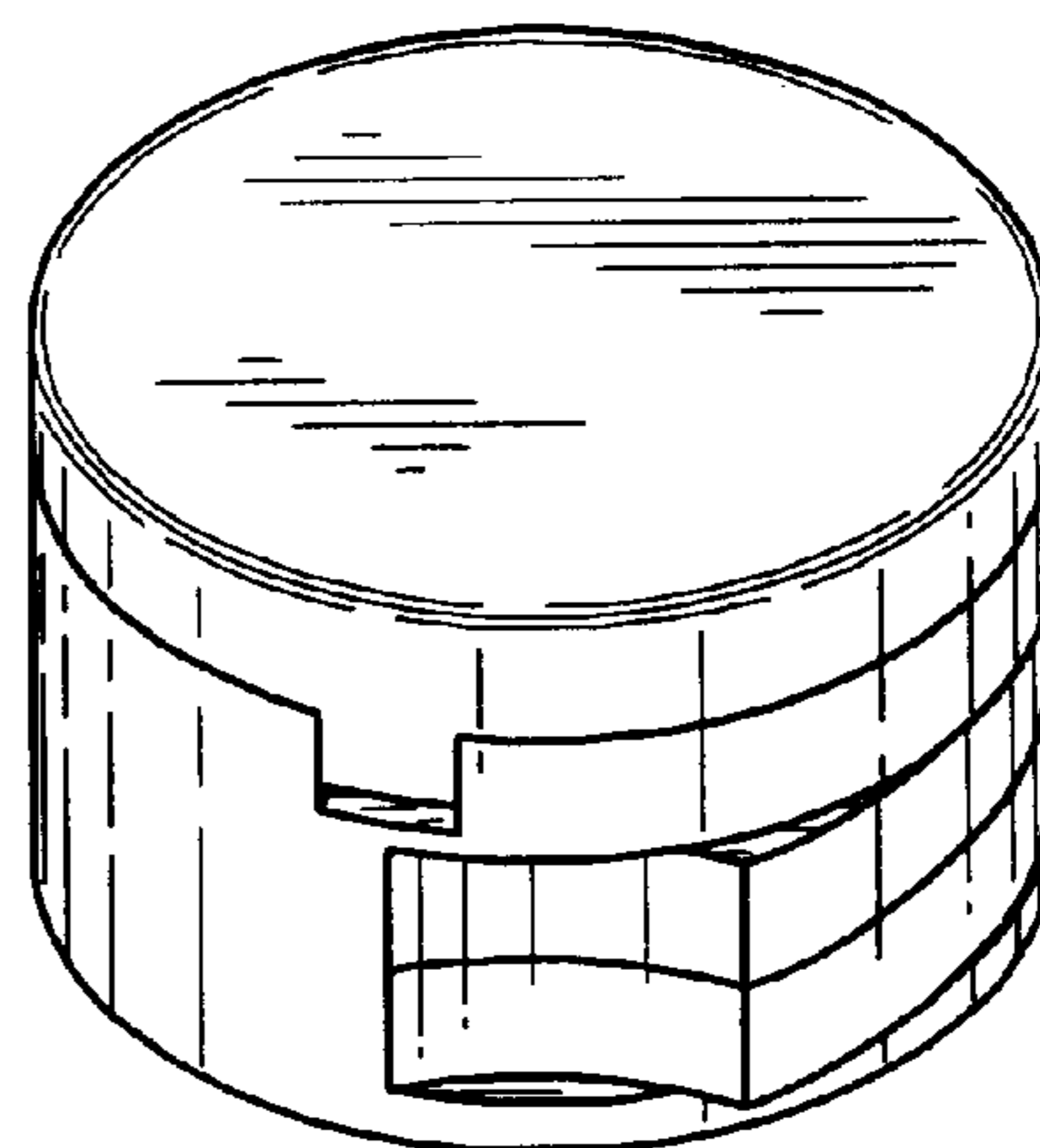
*FIG. 8*



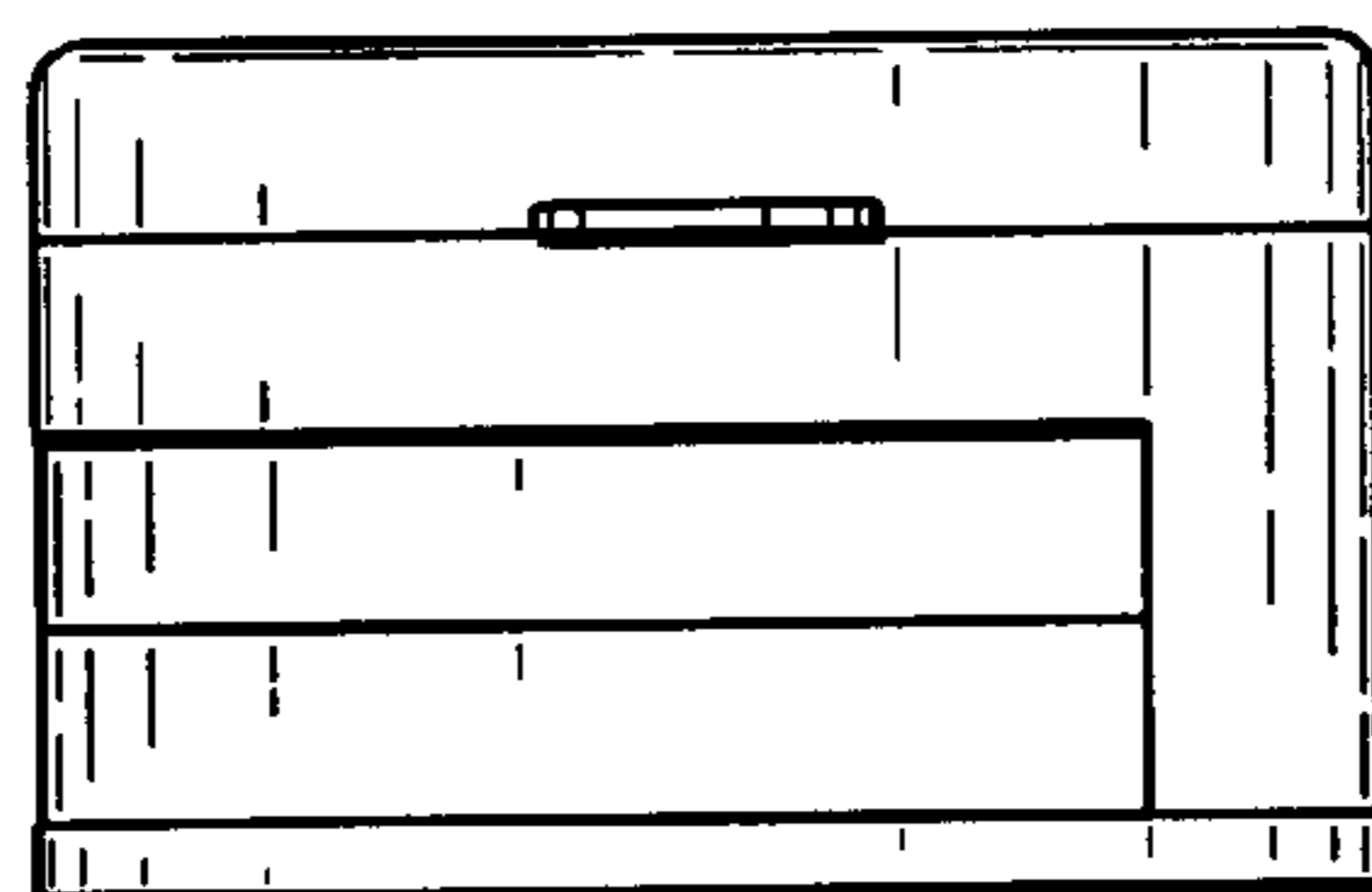
*FIG. 9*



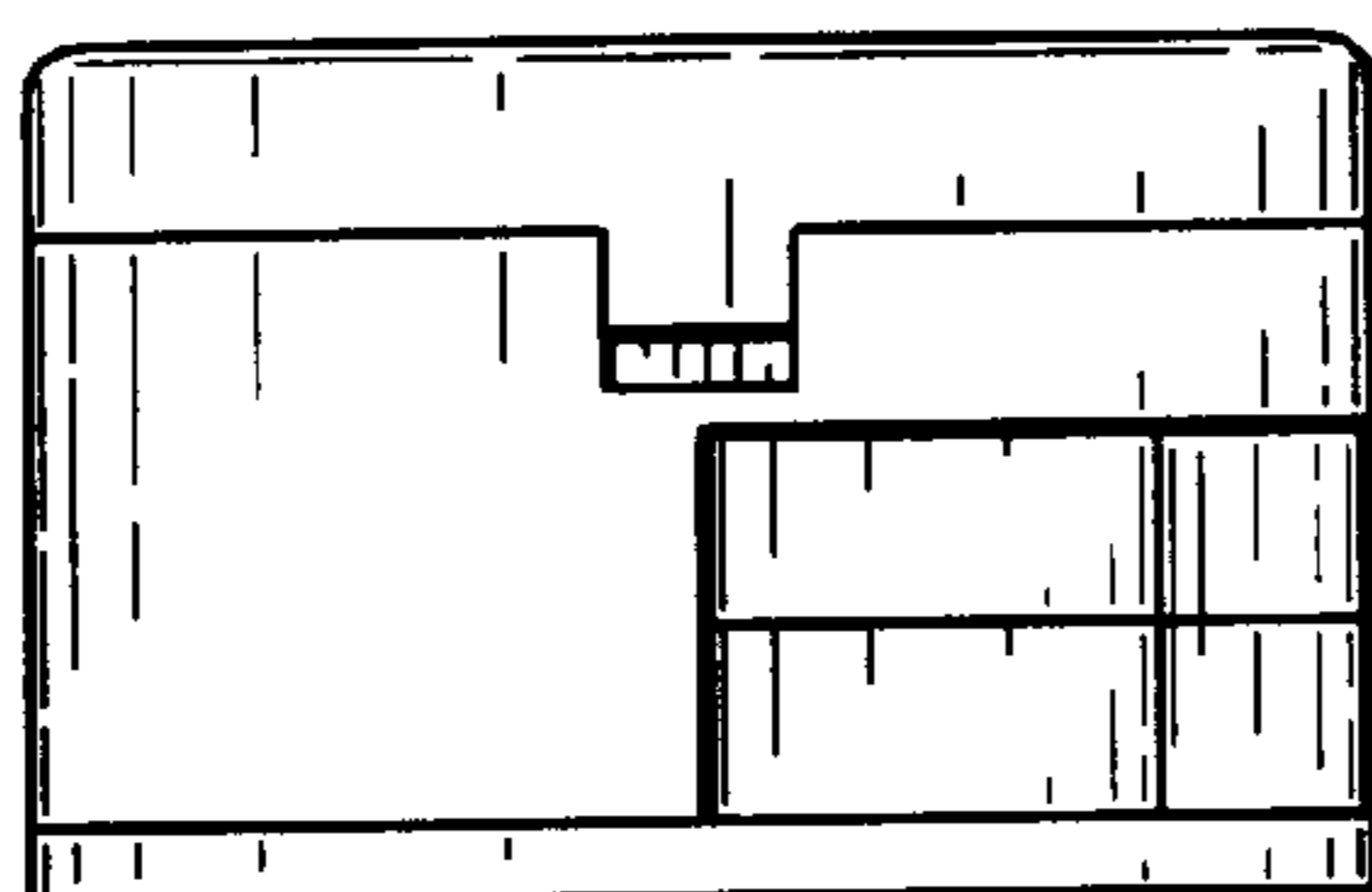
*FIG. 10*



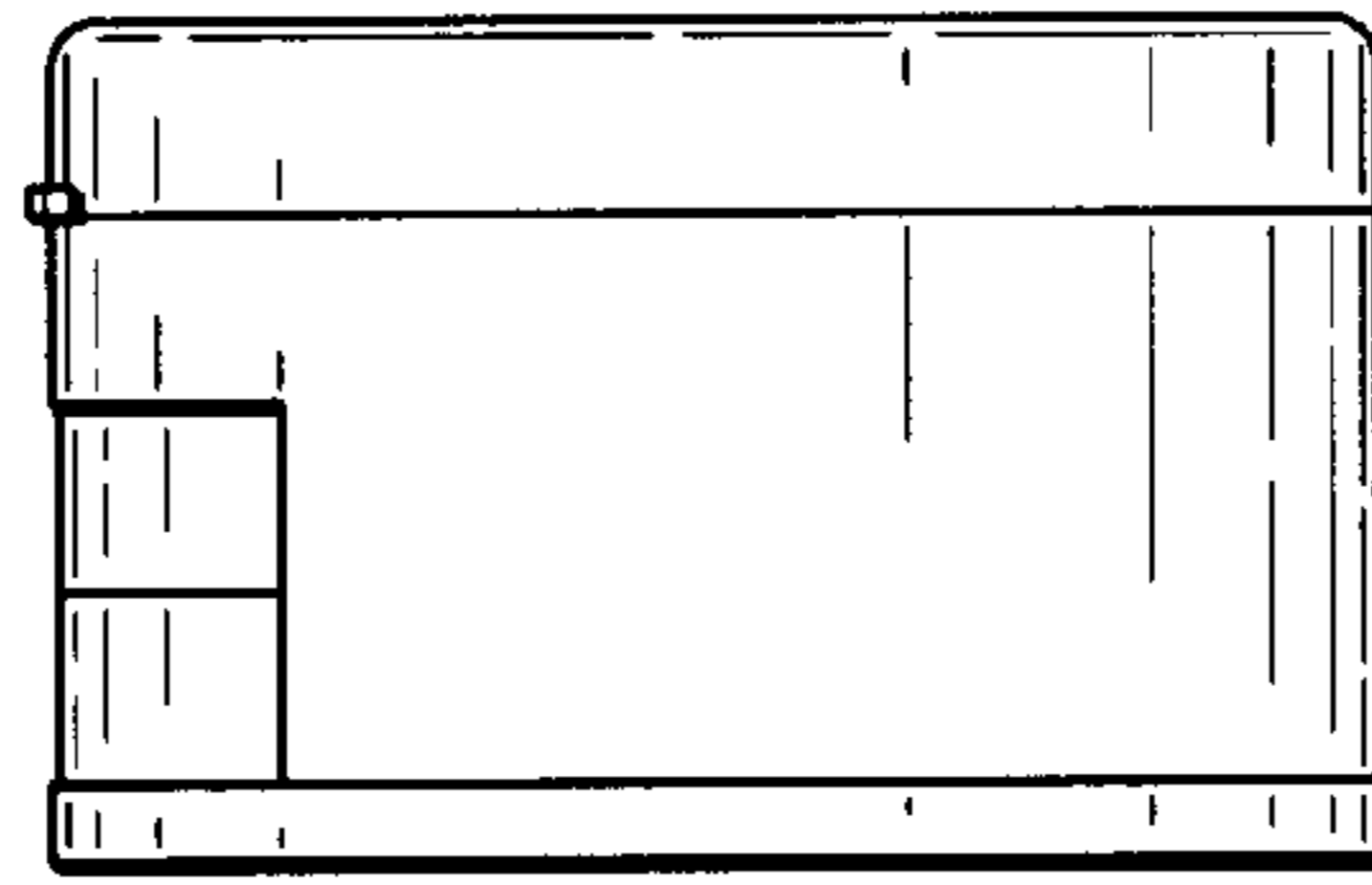
*FIG. 11*



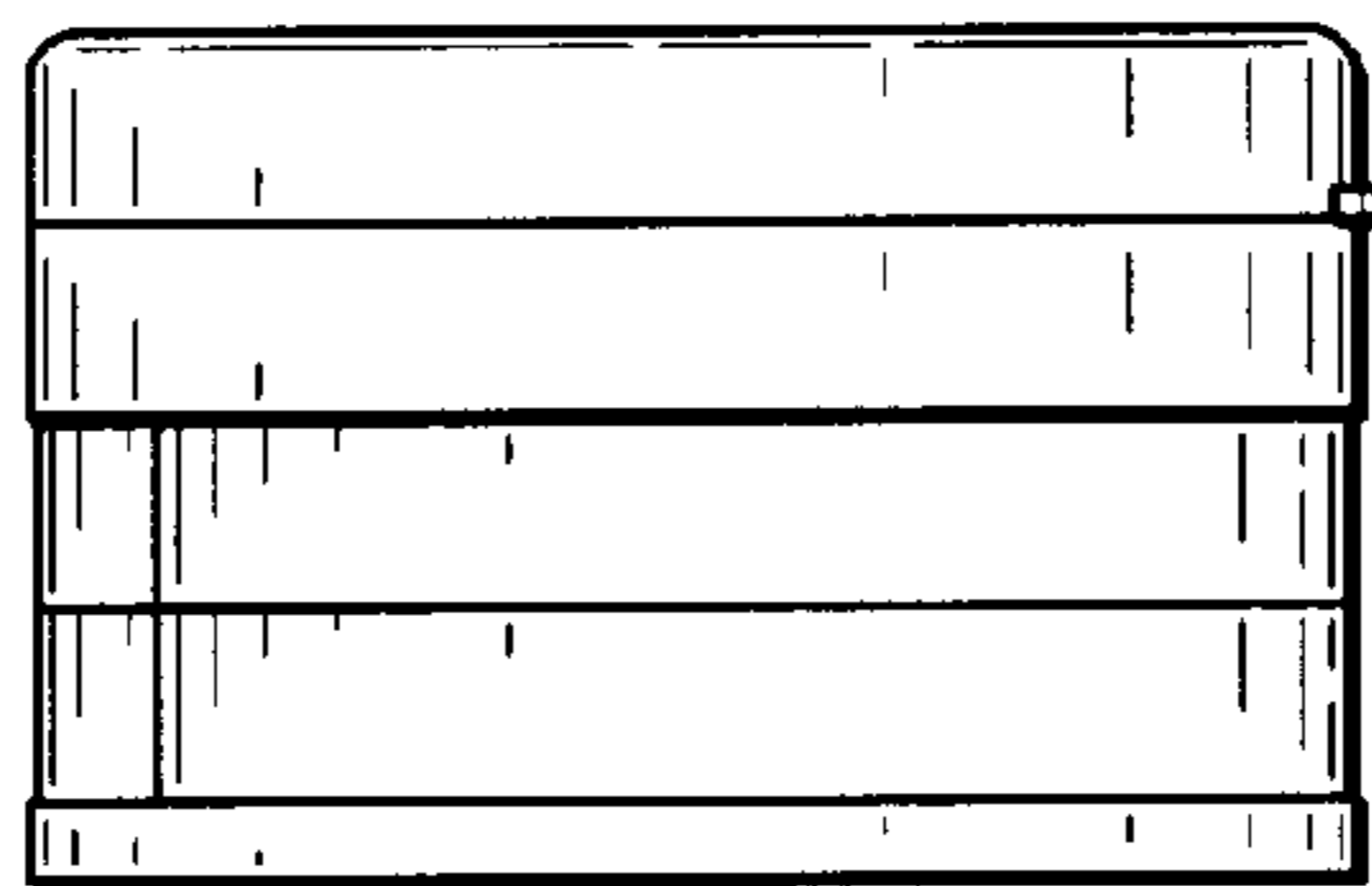
*FIG. 12*



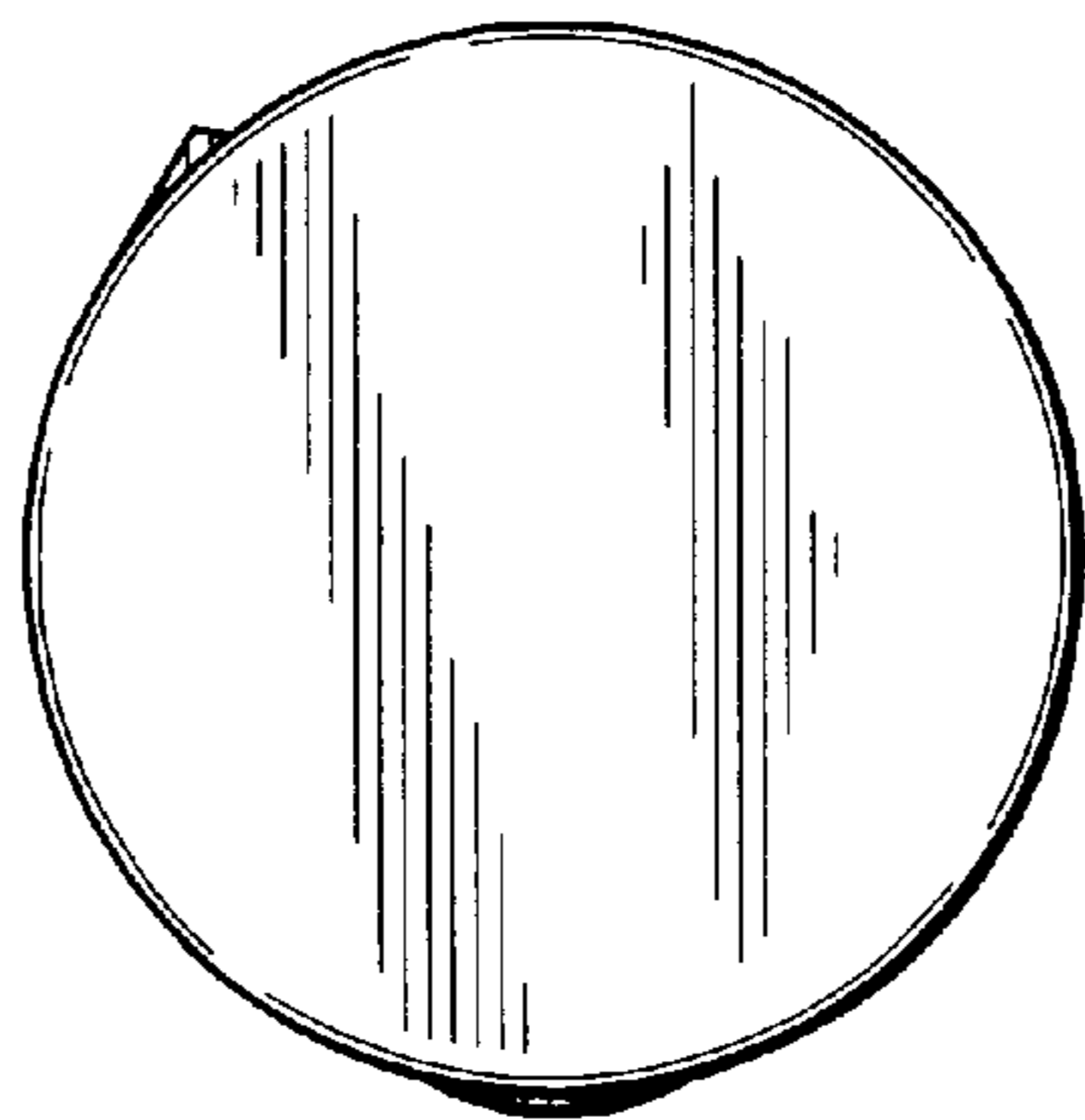
*FIG. 13*



*FIG. 14*



*FIG. 15*



*FIG. 16*

