



US00D524986S

(12) **United States Design Patent**
Prudden, Jr.

(10) **Patent No.:** **US D524,986 S**
(45) **Date of Patent:** **** Jul. 11, 2006**

(54) **RAZOR CARTRIDGE**

(75) Inventor: **John Prudden, Jr.**, Essex, MA (US)

(73) Assignee: **The Gillette Company**, Boston, MA (US)

(**) Term: **14 Years**

(21) Appl. No.: **29/196,115**

(22) Filed: **Dec. 22, 2003**

(51) **LOC (8) Cl.** **28-03**

(52) **U.S. Cl.** **D28/47**

(58) **Field of Classification Search** D28/44-48;
30/48, 50, 346.5, 346.51, 346.53, 346.55,
30/346.57, 346.58, 346.59, 346.6

See application file for complete search history.

(56) **References Cited**

U.S. PATENT DOCUMENTS

330,418 A	11/1885	Partridge et al.	
2,183,554 A	12/1939	Evans	30/84
3,477,127 A	11/1969	Regan	30/41
3,673,684 A	7/1972	Muntz	30/34.2
3,675,323 A	7/1972	Braginetz	30/32
4,483,068 A	11/1984	Clifford	30/49
4,964,214 A	10/1990	Welsh et al.	30/49
4,984,365 A	1/1991	Leonard et al.	30/34.05
5,018,274 A	5/1991	Trotta	30/50
5,088,195 A	2/1992	Lazarshik et al.	30/49
5,092,042 A	3/1992	Miller et al.	30/77
5,153,992 A	10/1992	Brown et al.	30/49
D343,254 S	1/1994	Miller et al.	D28/47
5,526,567 A	6/1996	Carson, III et al.	30/50
D373,218 S	8/1996	Shurtleff et al.	D28/46
5,604,983 A	2/1997	Simms et al.	30/49
5,784,790 A	7/1998	Carson, III et al.	30/532

5,903,979 A	*	5/1999	Oldroyd	30/50
D415,315 S	*	10/1999	Swanson et al.	D28/47
D422,751 S	*	4/2000	Gray	D28/47
6,161,287 A	*	12/2000	Swanson et al.	30/50
6,216,345 B1	*	4/2001	Andrews	30/50

FOREIGN PATENT DOCUMENTS

EP	0289228	11/1988
GB	2083398	3/1982
GB	2059944	11/1997
WO	WO96/02369	2/1996
WO	WO97/17174	5/1997
WO	WO97/37819	10/1997

* cited by examiner

Primary Examiner—Jennifer Rivard

(74) *Attorney, Agent, or Firm*—Chester Cekala

(57) **CLAIM**

The ornamental design for a razor cartridge, as shown and described.

DESCRIPTION

FIG. 1 is a top perspective view of a razor cartridge showing my new design;

FIG. 2 is a top plan view thereof;

FIG. 3 is a front elevational view thereof;

FIG. 4 is a rear elevational view thereof;

FIG. 5 is a bottom plan view thereof; and,

FIG. 6 is a right side elevational view thereof. The left side being mirror image of the right side.

The broken lines immediately adjacent the solid line disclosure in FIG. 5 represent the bounds of the claim and all other broken lines are for illustrative purposes only. None of the broken lines form a part of the claimed design.

1 Claim, 6 Drawing Sheets

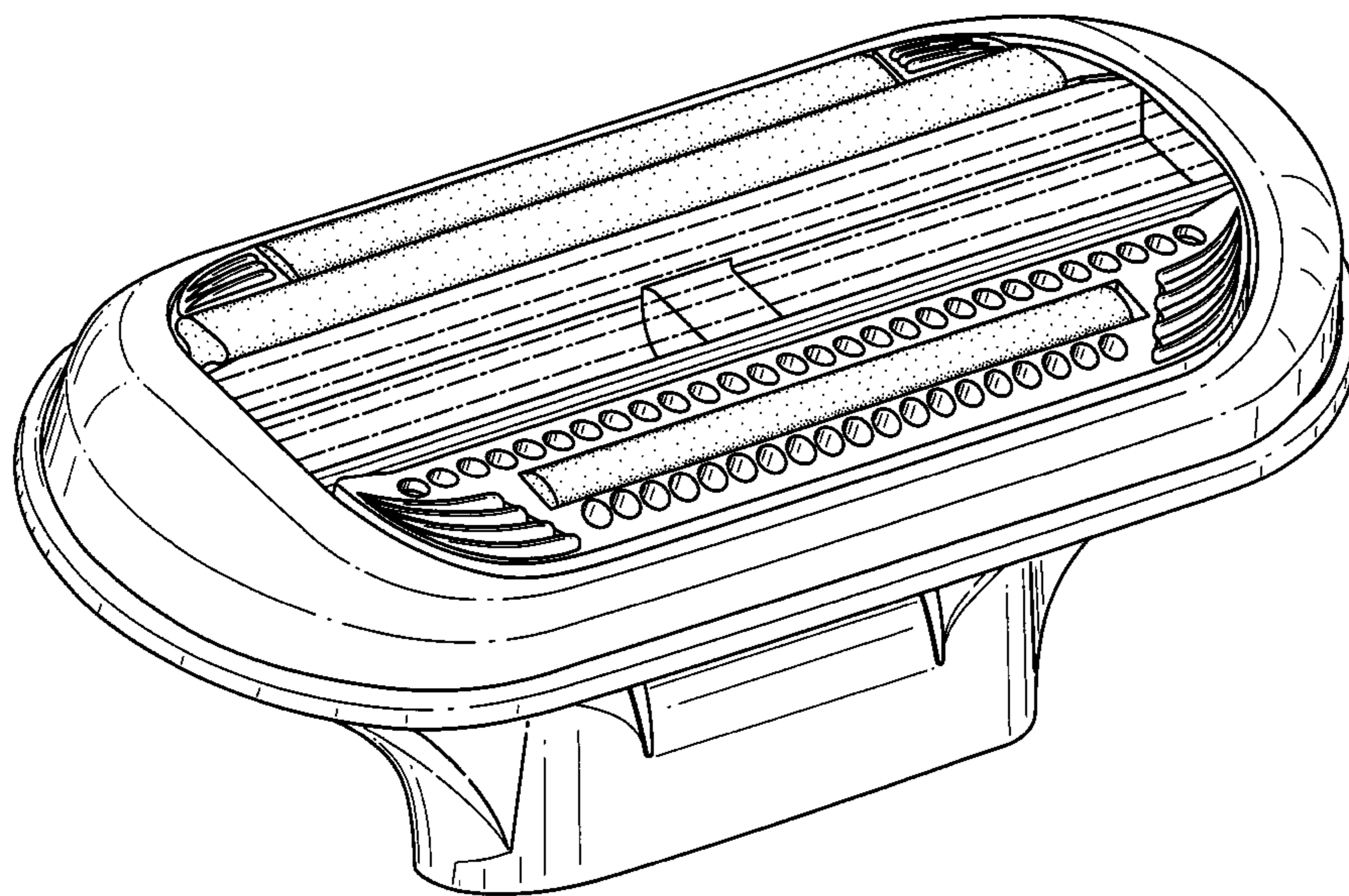


FIG. 1

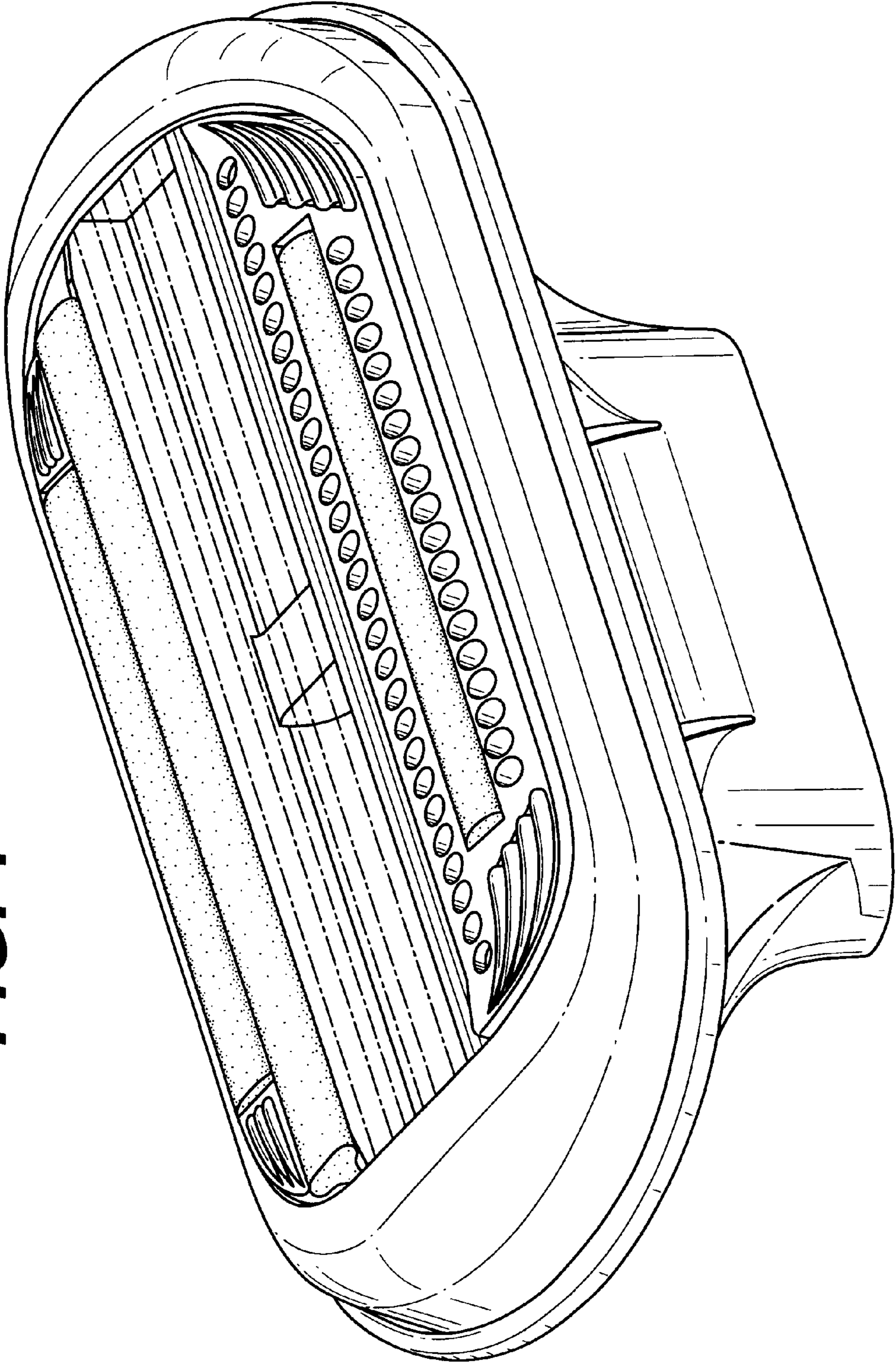


FIG. 2

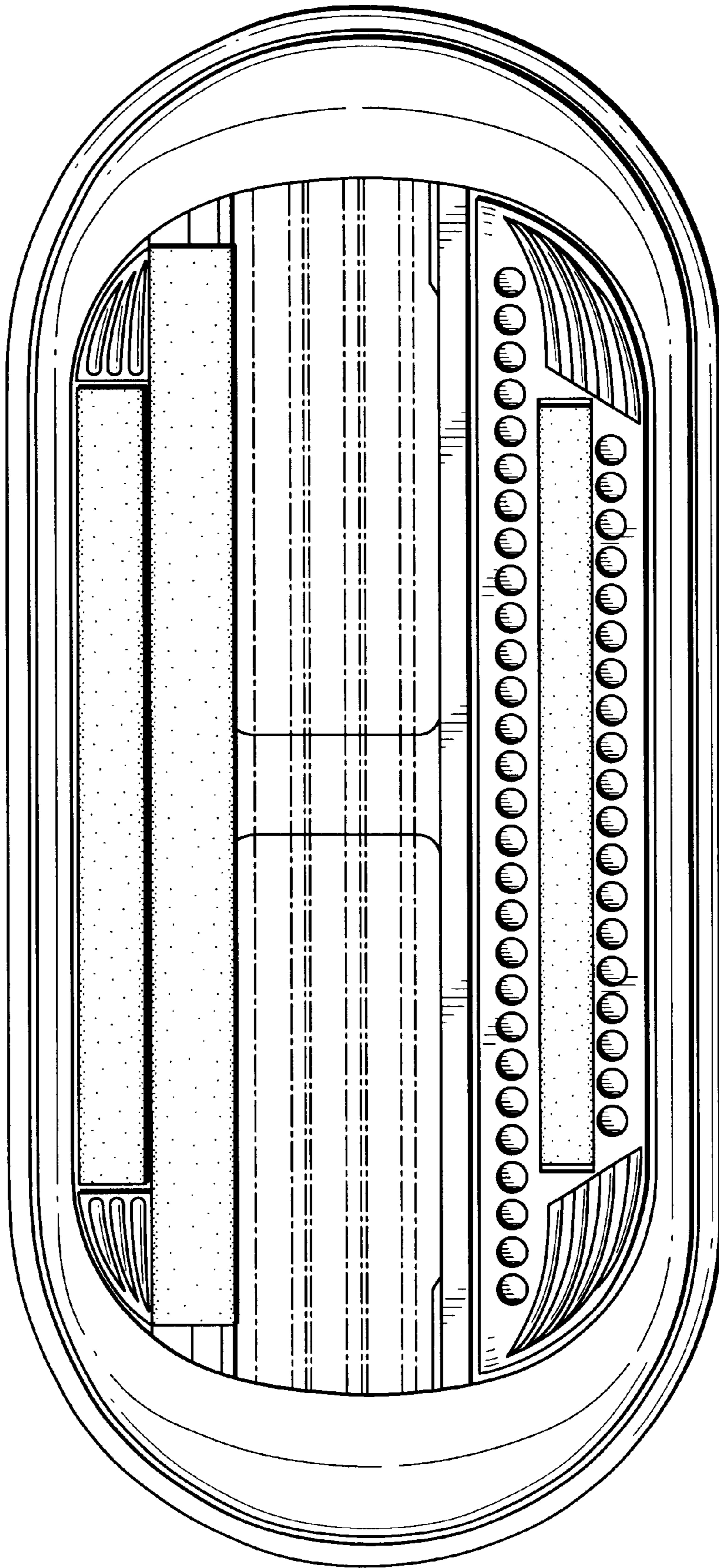


FIG. 3

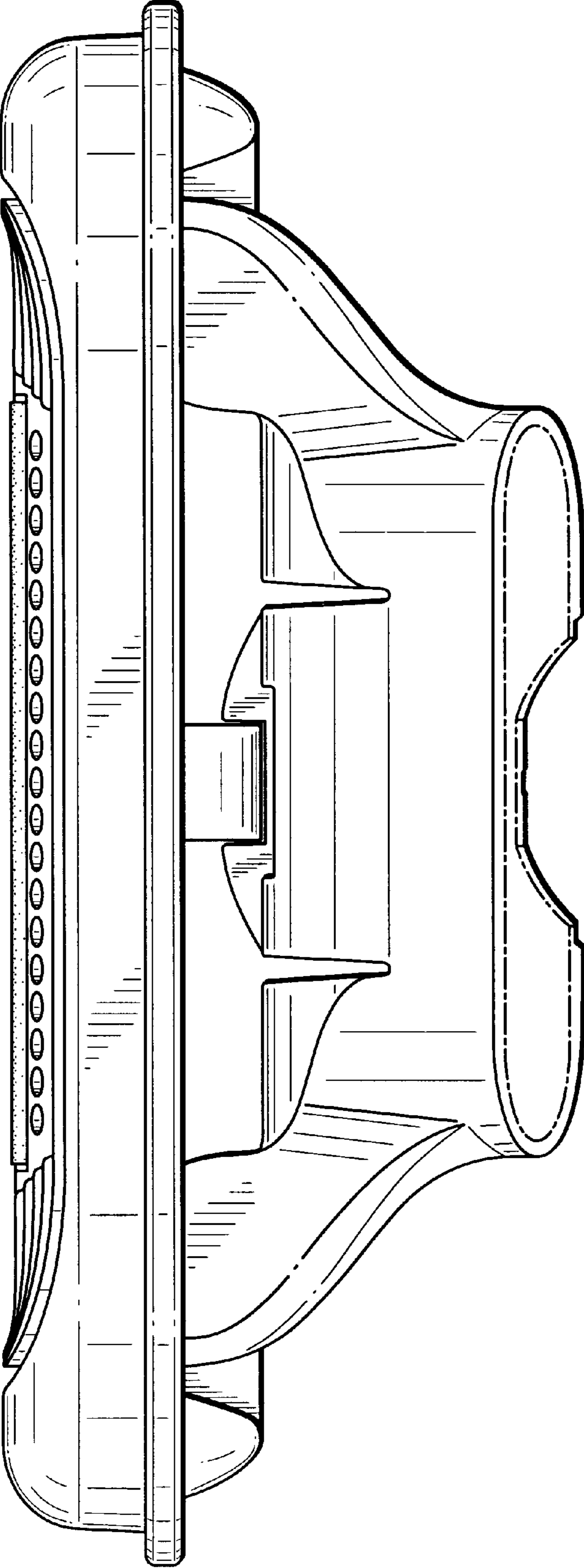


FIG. 4

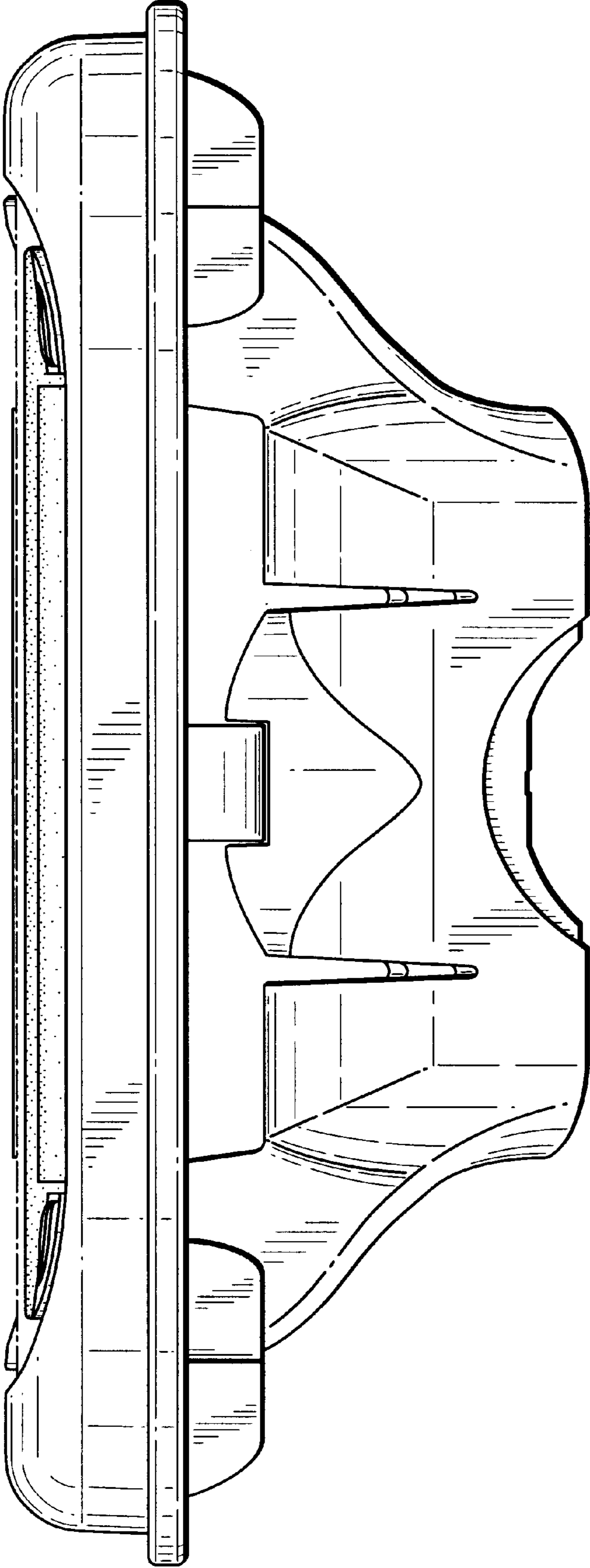


FIG. 5

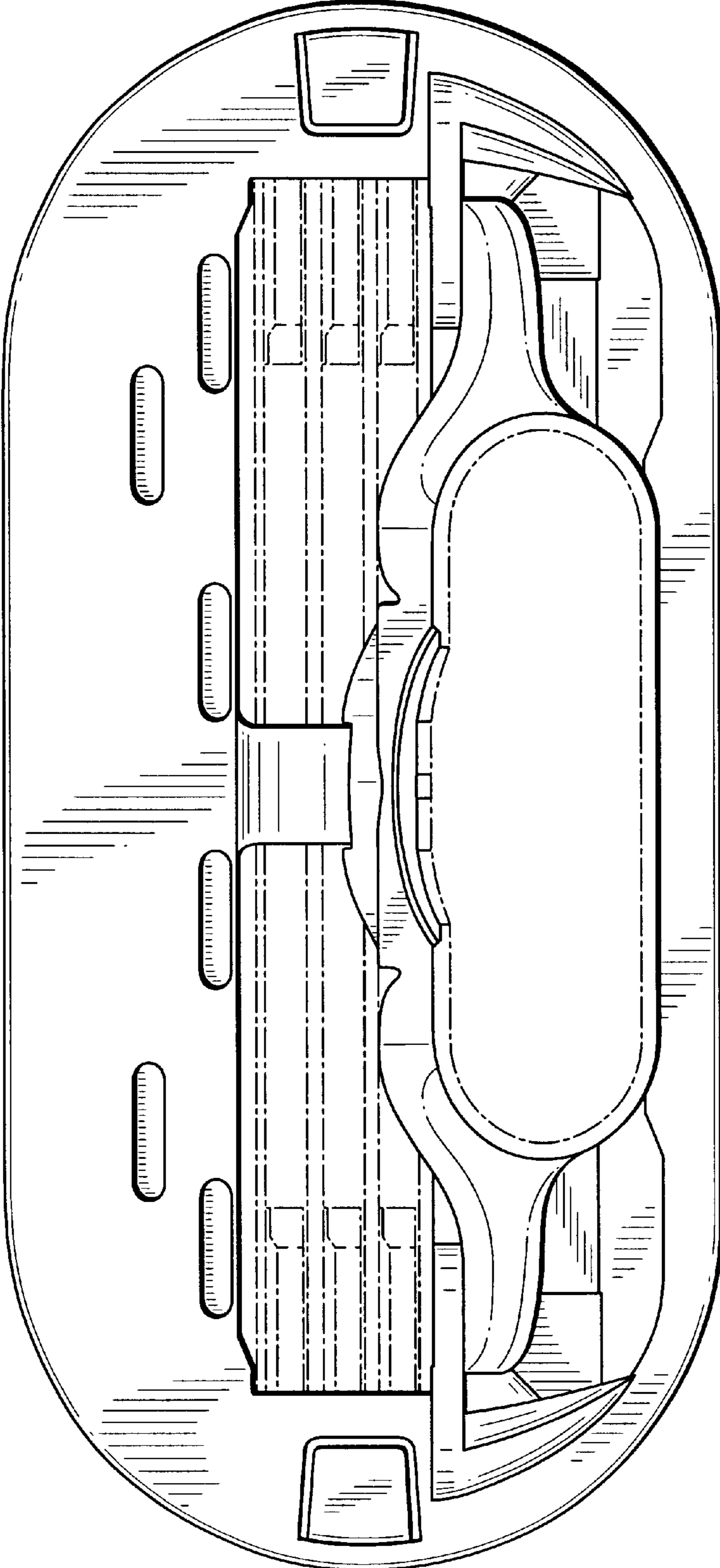


FIG. 6

