



US00D524978S

(12) **United States Design Patent**
Bellaloum

(10) **Patent No.:** **US D524,978 S**

(45) **Date of Patent:** **** Jul. 11, 2006**

(54) **LAMP**

(75) Inventor: **Gilles Bellaloum**, Paris (FR)

(73) Assignee: **DLF**, Alfortville (FR)

(**) Term: **14 Years**

(21) Appl. No.: **29/197,812**

(22) Filed: **Jan. 22, 2004**

(51) **LOC (8) Cl.** **26-03**

(52) **U.S. Cl.** **D26/102**

(58) **Field of Classification Search** D26/24,
D26/25, 93, 102, 104, 72, 80, 82; 362/410-414,
362/125, 227, 236, 806, 555

See application file for complete search history.

(56) **References Cited**

U.S. PATENT DOCUMENTS

| | | | | | | |
|-----------|---|---|--------|-------------|-------|---------|
| 3,710,090 | A | * | 1/1973 | Shea et al. | | 362/227 |
| D437,949 | S | * | 2/2001 | Chang | | D26/25 |
| D442,712 | S | * | 5/2001 | Boyer | | D26/25 |

* cited by examiner

Primary Examiner—Alan P. Douglas

Assistant Examiner—Linda Brooks

(74) *Attorney, Agent, or Firm*—William H. Holt

(57) **CLAIM**

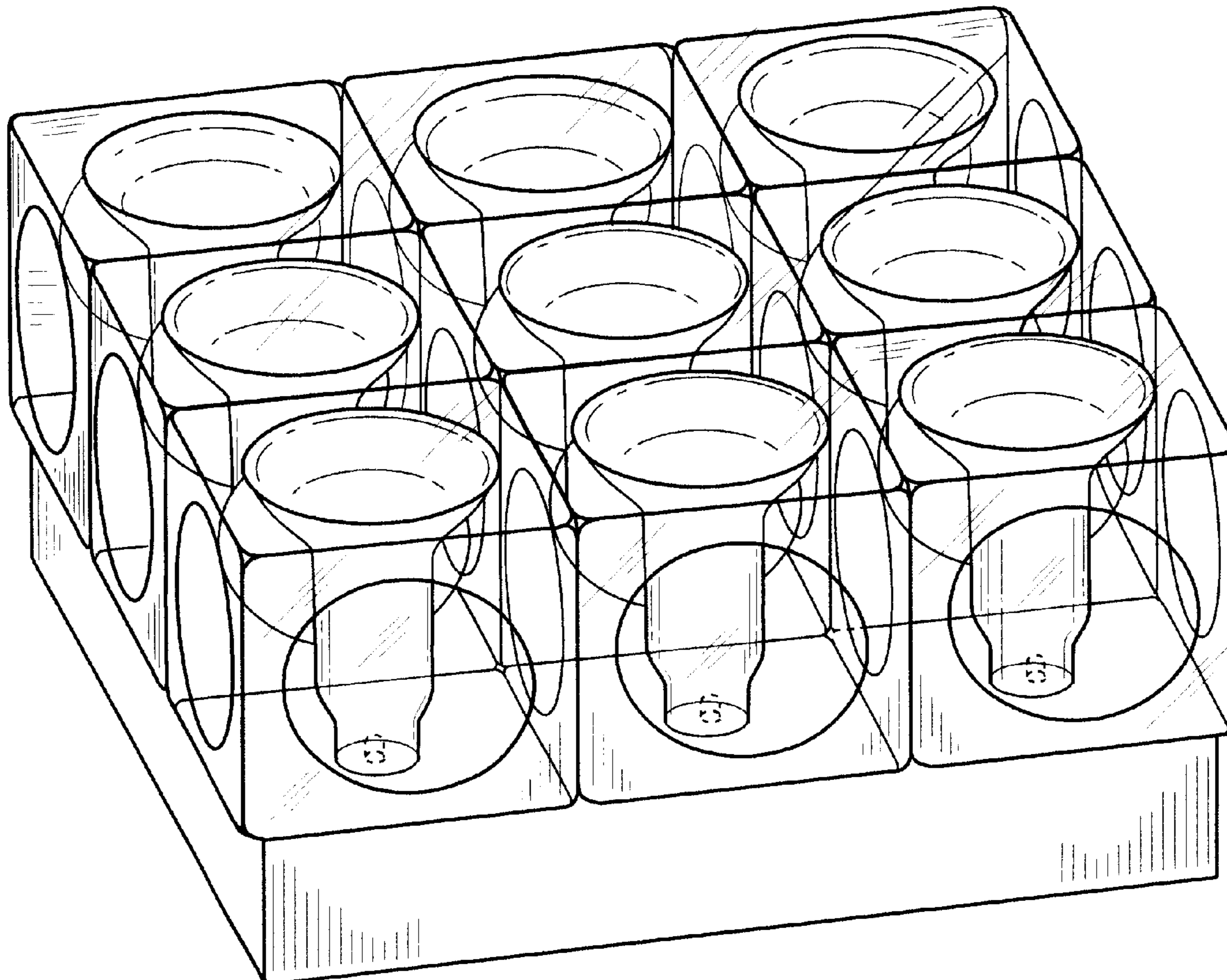
I claim the ornamental design for a lamp, as shown and described.

DESCRIPTION

FIG. 1 is a two-dimensional front view of a lamp;
FIG. 2 is an elevational, perspective view, laid flat;
FIG. 3 is a vertical, side elevational, perspective view;
FIG. 4 is a two-dimensional, bottom view;
FIG. 5 is a side elevational view of an alternate embodiment of the lamp, with a stand attached thereto;
FIG. 6 is a rear elevational view of FIG. 5; and,
FIG. 7 is an enlarged view of one of the identical cubes, shown separately for clarity.

The broken lines shown are for illustrative purposes only and form no part of the claimed design.

1 Claim, 7 Drawing Sheets



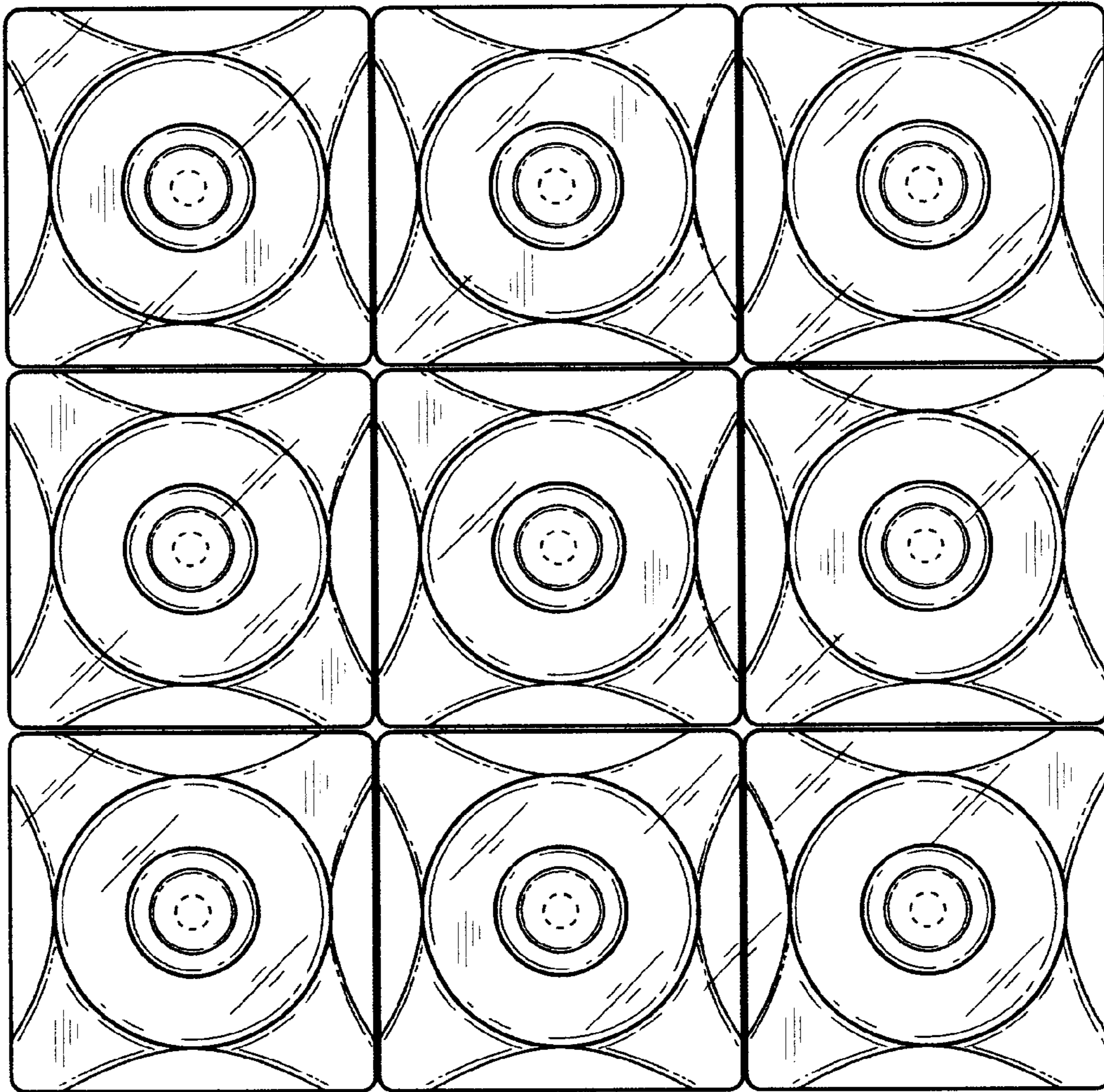


FIG. 1

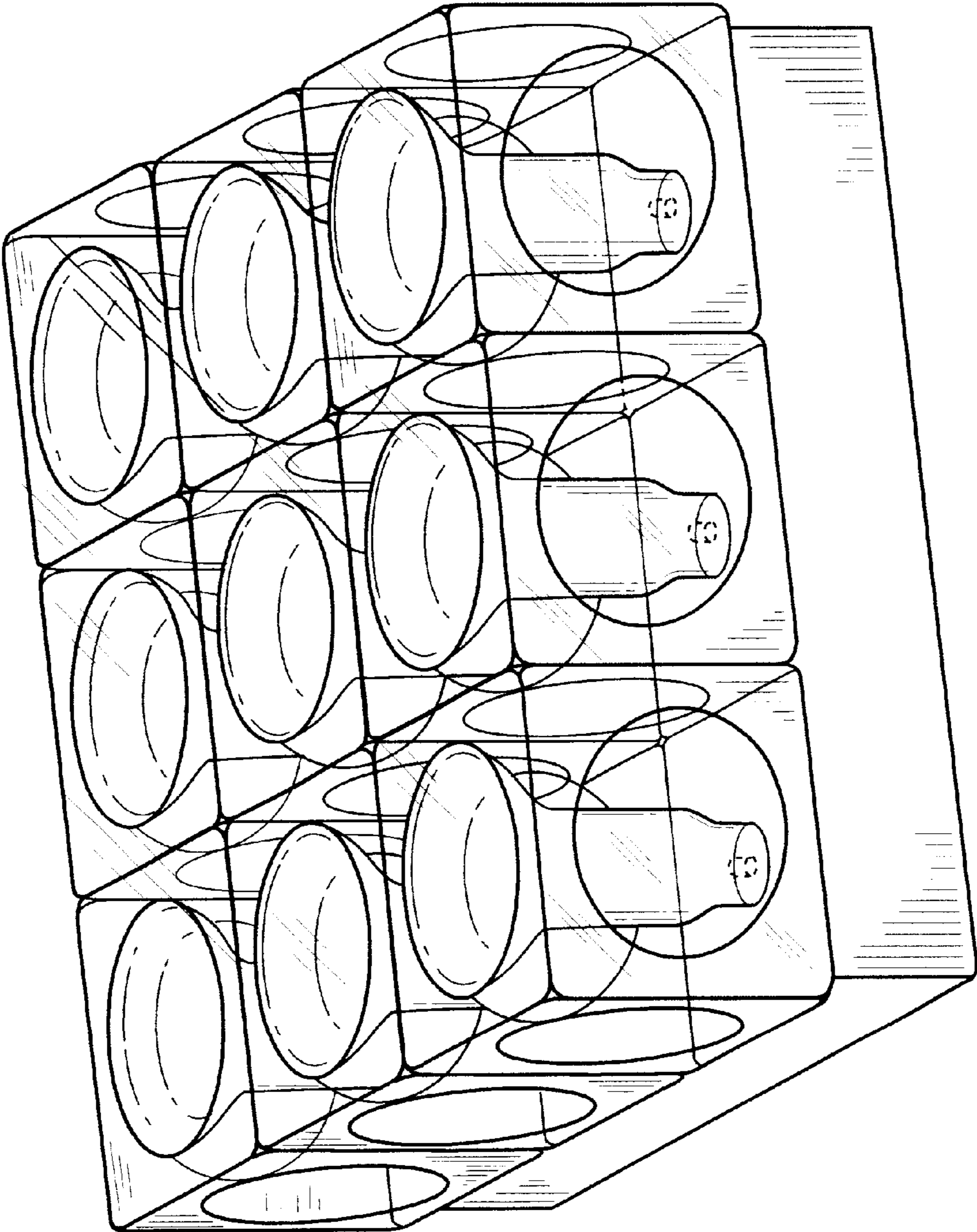


FIG. 2

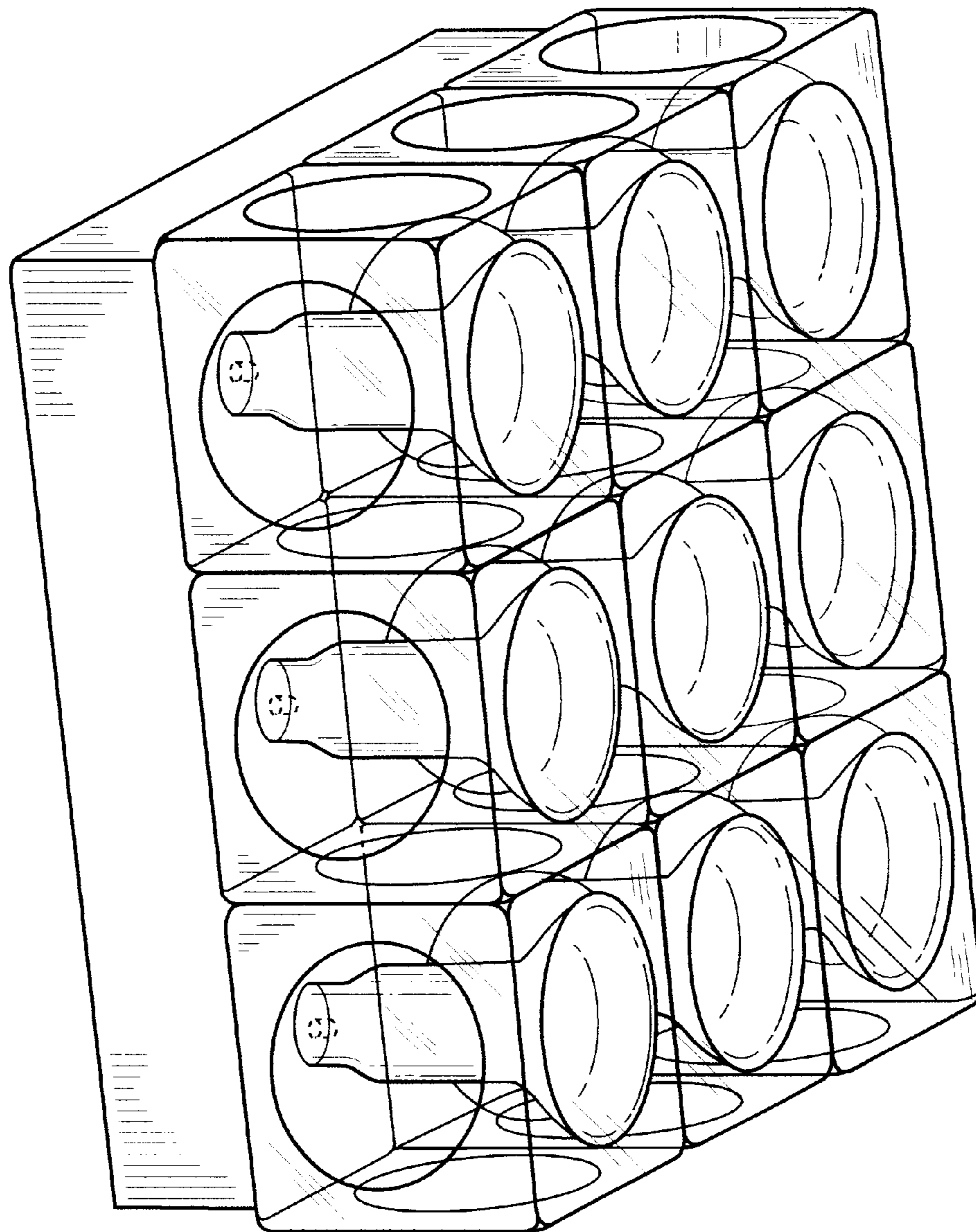


FIG. 3

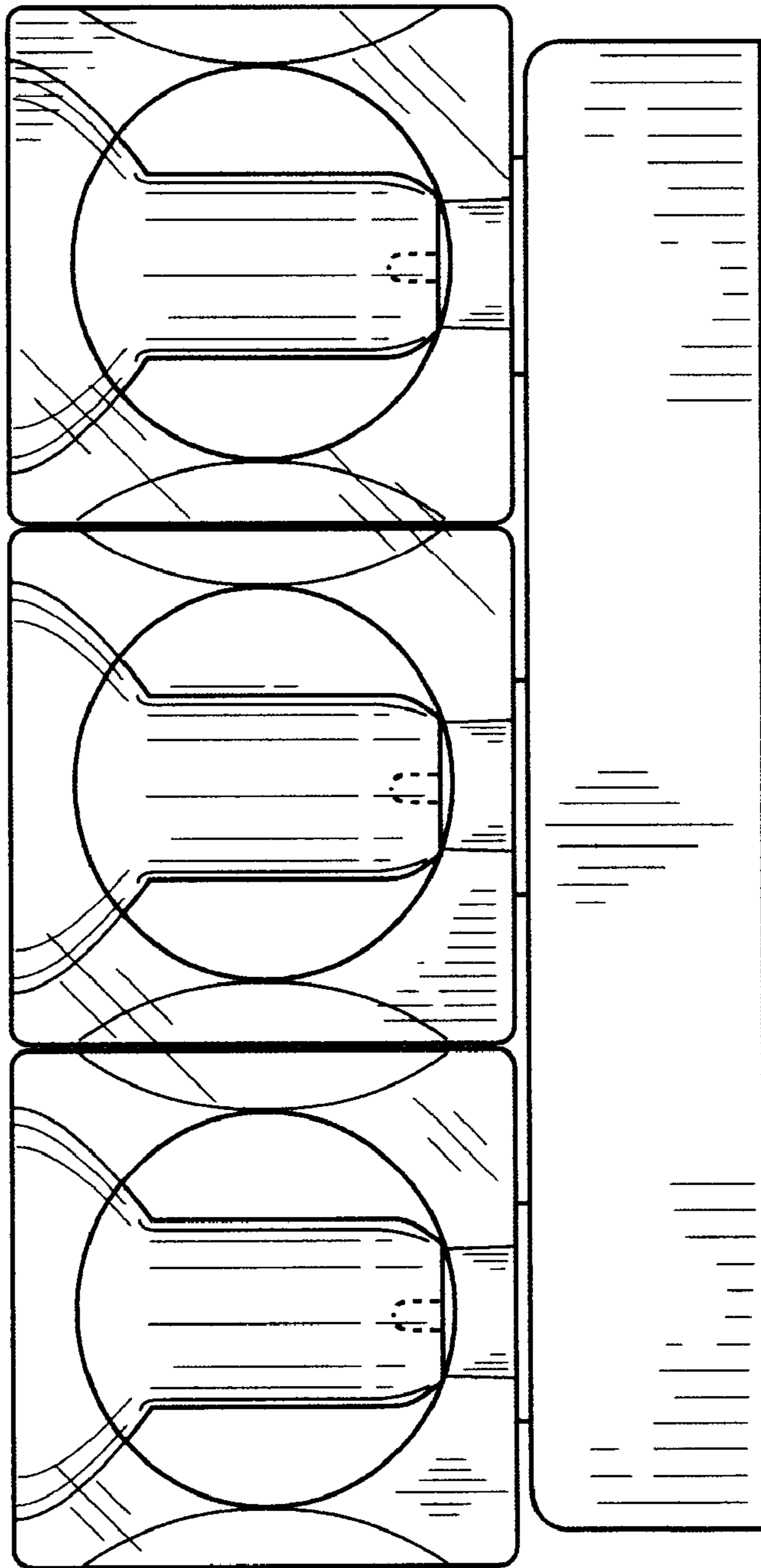


FIG. 4

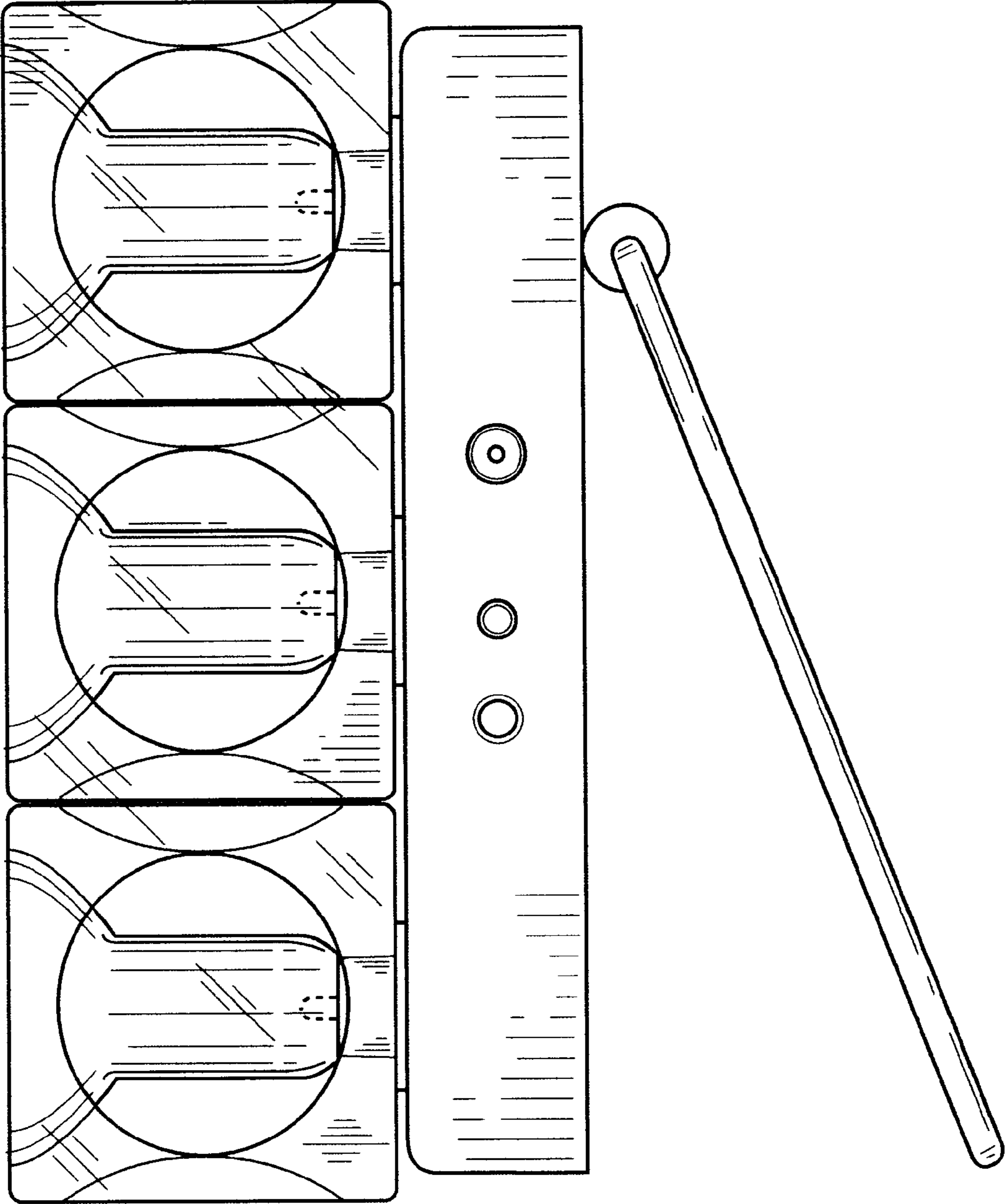


FIG. 5

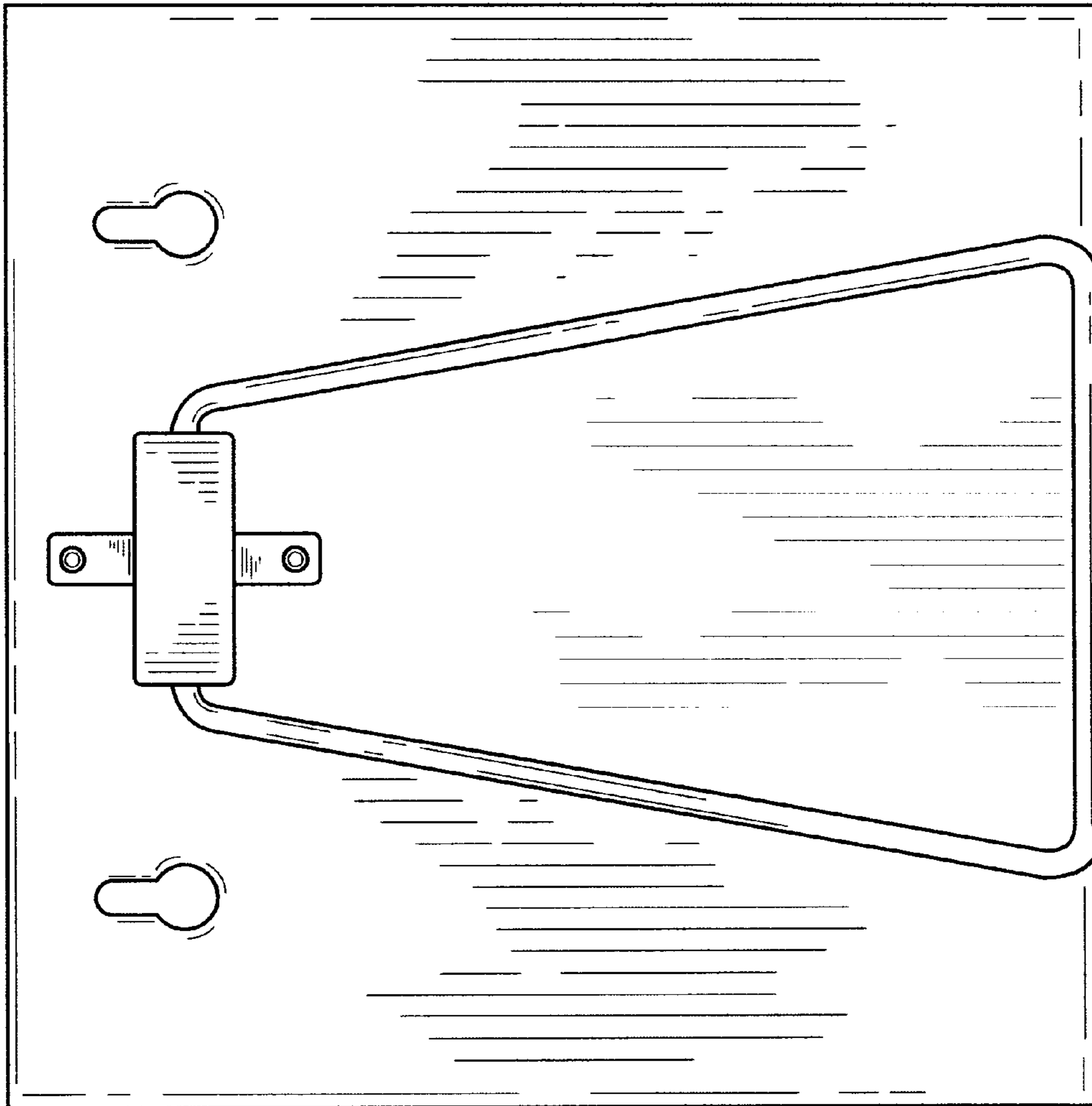


FIG. 6

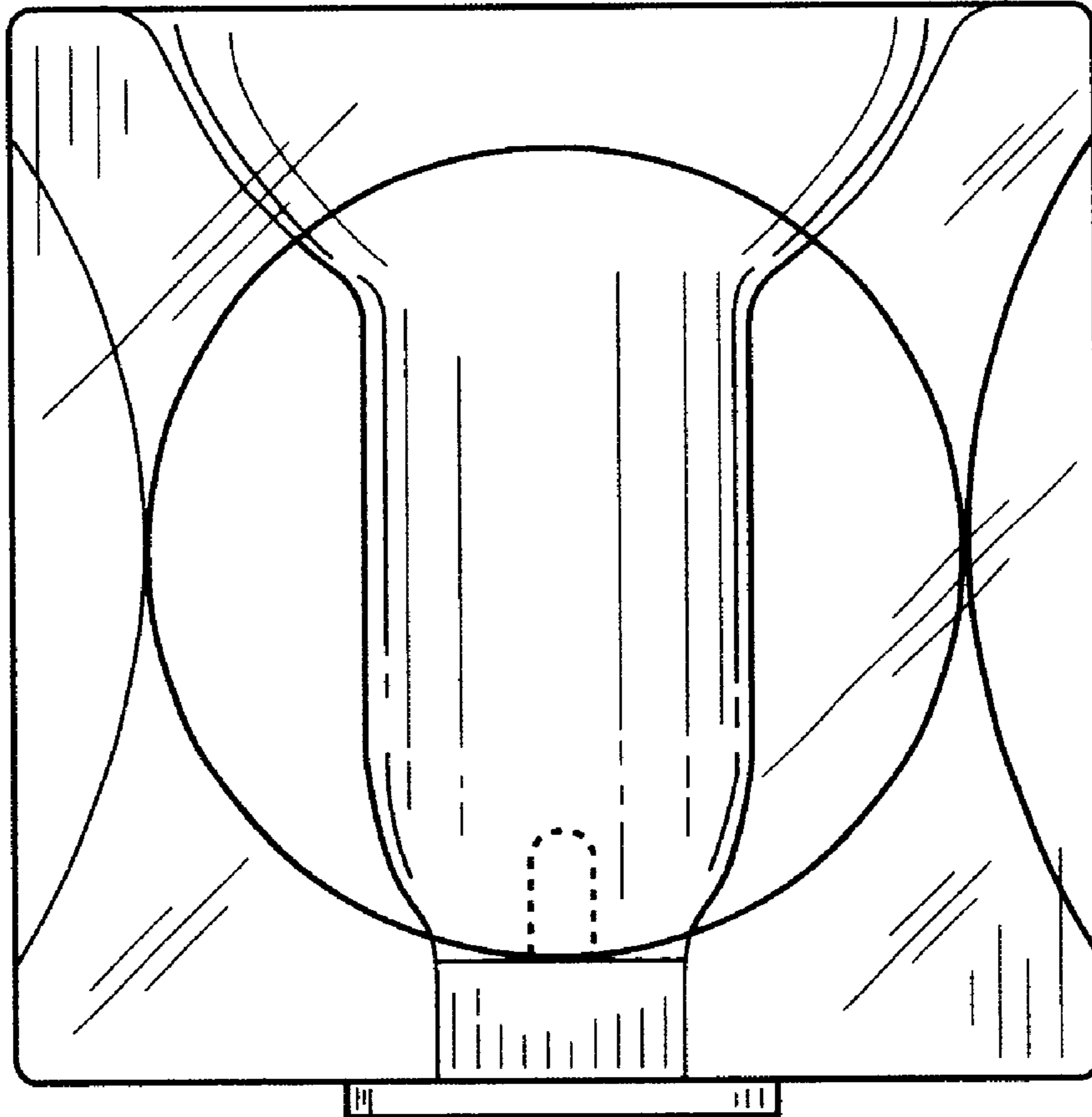


FIG. 7