

US00D524976S

(12) **United States Design Patent**  
**Hodgson**

(10) **Patent No.:** **US D524,976 S**

(45) **Date of Patent:** **\*\* Jul. 11, 2006**

(54) **CLIP-ON LIGHT**

(75) **Inventor:** **Fraser Milbourne Hodgson**, London (GB)

(73) **Assignee:** **Daylight Company (Holdings) Limited**, London (GB)

(\*\*) **Term:** **14 Years**

(21) **Appl. No.:** **29/235,156**

(22) **Filed:** **Jul. 27, 2005**

(51) **LOC (8) Cl.** ..... **26-05**

(52) **U.S. Cl.** ..... **D26/60; D26/63; D26/56**

(58) **Field of Classification Search** ..... D26/28,  
D26/37, 39, 44, 57, 73, 60-65; 362/98, 99,  
362/197, 198, 157, 171-174, 473-476, 523,  
362/545, 183-208

See application file for complete search history.

(56) **References Cited**

**U.S. PATENT DOCUMENTS**

- D281,357 S \* 11/1985 Gismondi ..... D26/63
- D373,438 S \* 9/1996 McCann-Compton et al. .. D26/65
- D377,106 S \* 12/1996 Chan ..... D26/62
- 5,604,814 A \* 2/1997 Chen et al. .... 381/361

- D385,645 S \* 10/1997 Chan ..... D26/107
- D405,203 S \* 2/1999 Tobianski ..... D26/60
- 5,896,880 A \* 4/1999 Bushweller et al. .... 362/98
- D418,240 S \* 12/1999 Sherman ..... D26/63
- 6,168,292 B1 \* 1/2001 Sherman ..... 362/427
- D441,476 S \* 5/2001 Mendelsohn et al. .... D26/63
- D474,556 S \* 5/2003 Huang ..... D26/60

\* cited by examiner

*Primary Examiner*—Clare E Heflin

(74) *Attorney, Agent, or Firm*—Lawrence E. Laubscher, Jr.

(57) **CLAIM**

The ornamental design for a clip-on light, as shown and described.

**DESCRIPTION**

FIG. 1 is a front perspective view of the invention illustrating my design;

FIG. 2 is a right side elevation view thereof;

FIG. 3 is a front elevation view thereof;

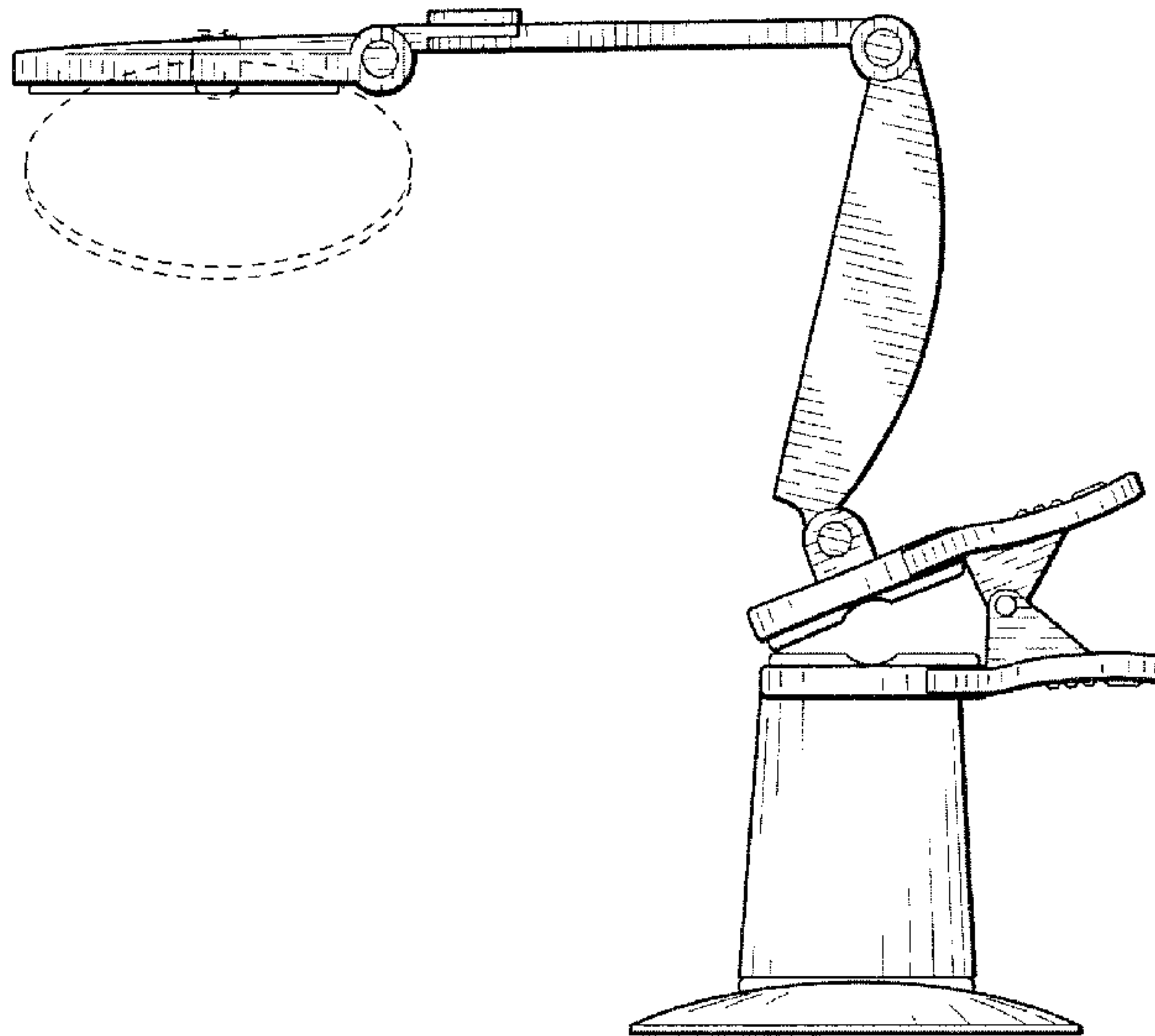
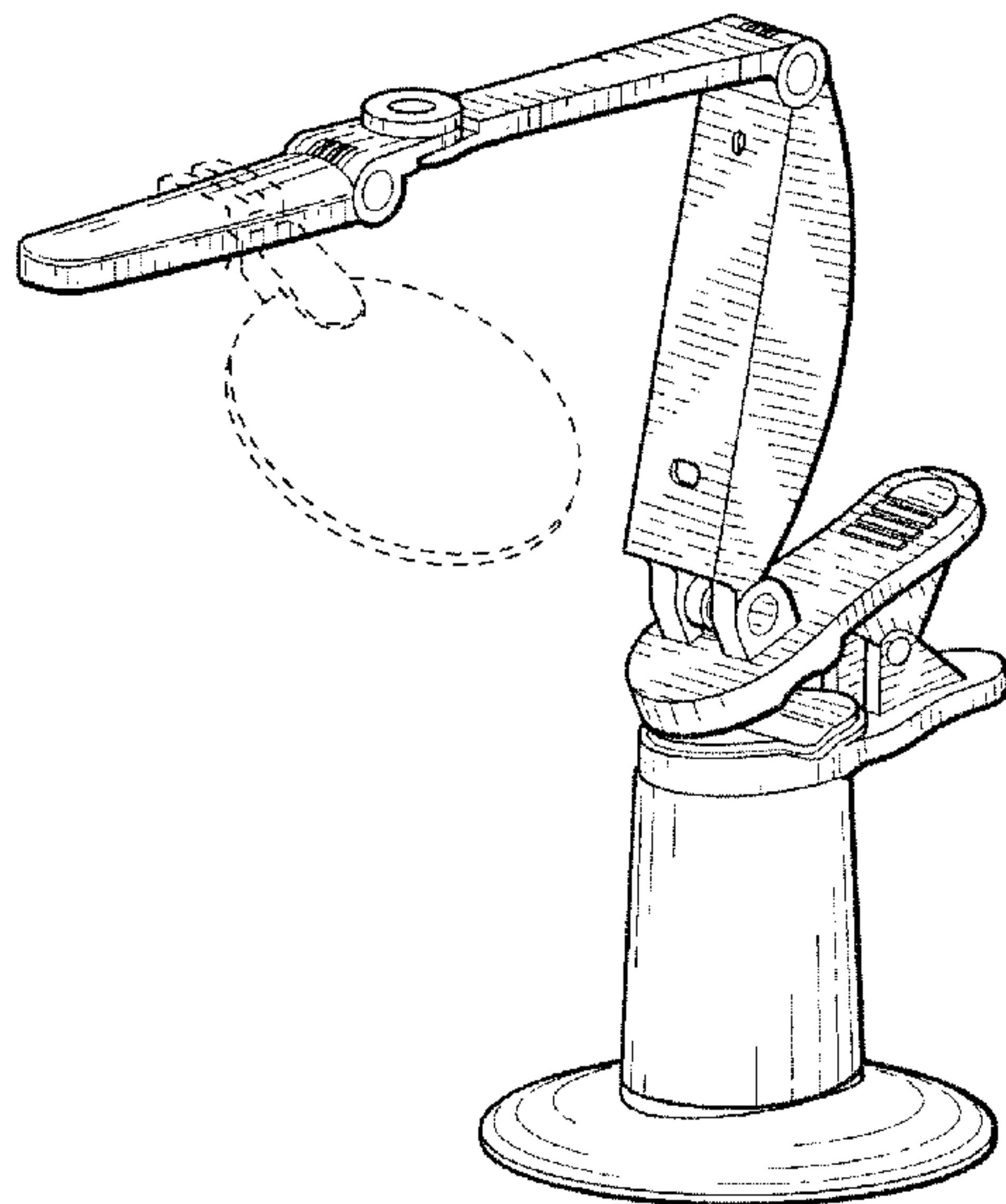
FIG. 4 is a rear elevation view thereof;

FIG. 5 is top plan view thereof; and,

FIG. 6 is a bottom plan view thereof.

The broken lines shown on the drawings are for illustrative purposes only and form no part of the claimed design.

**1 Claim, 3 Drawing Sheets**



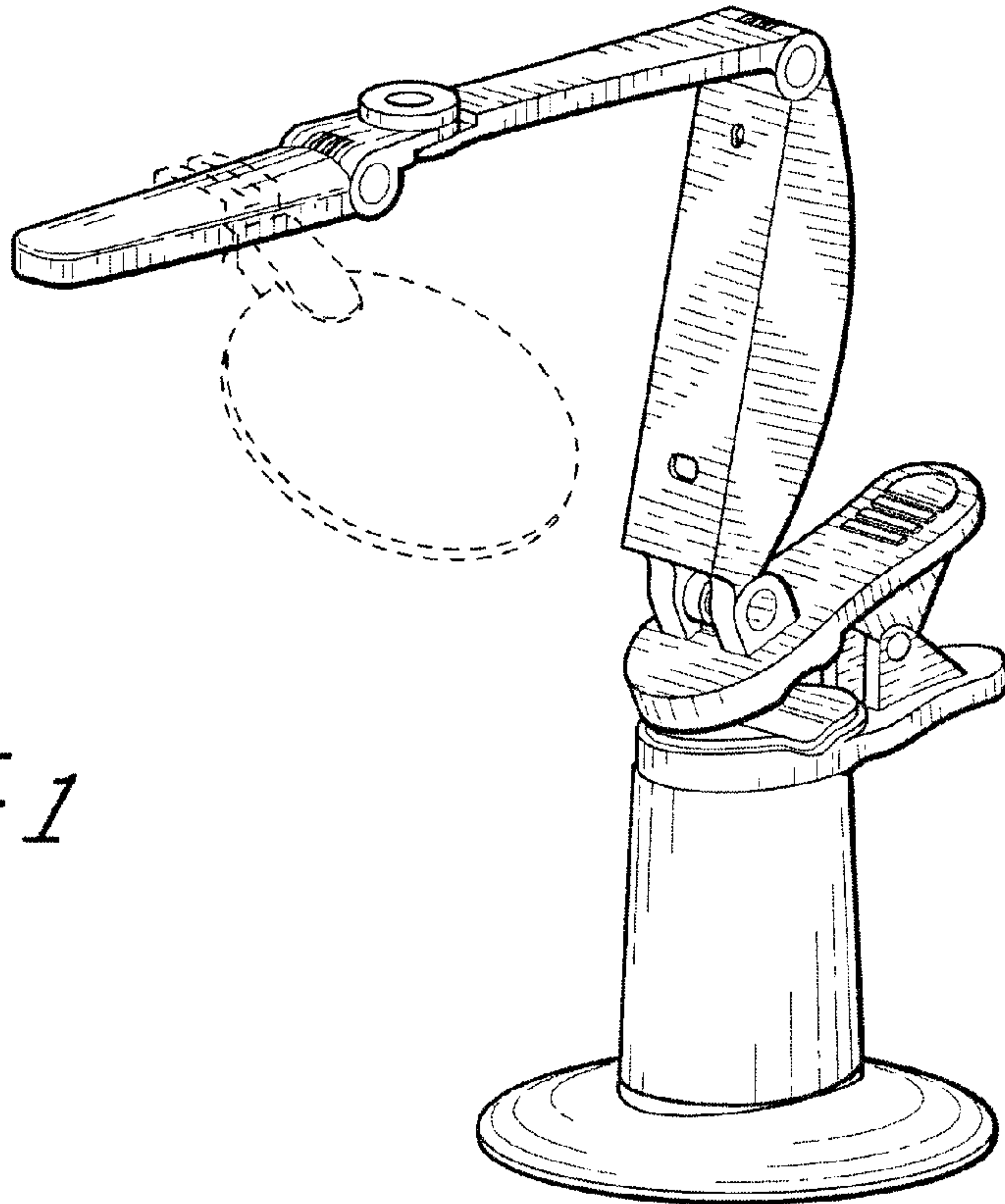


FIG. 1

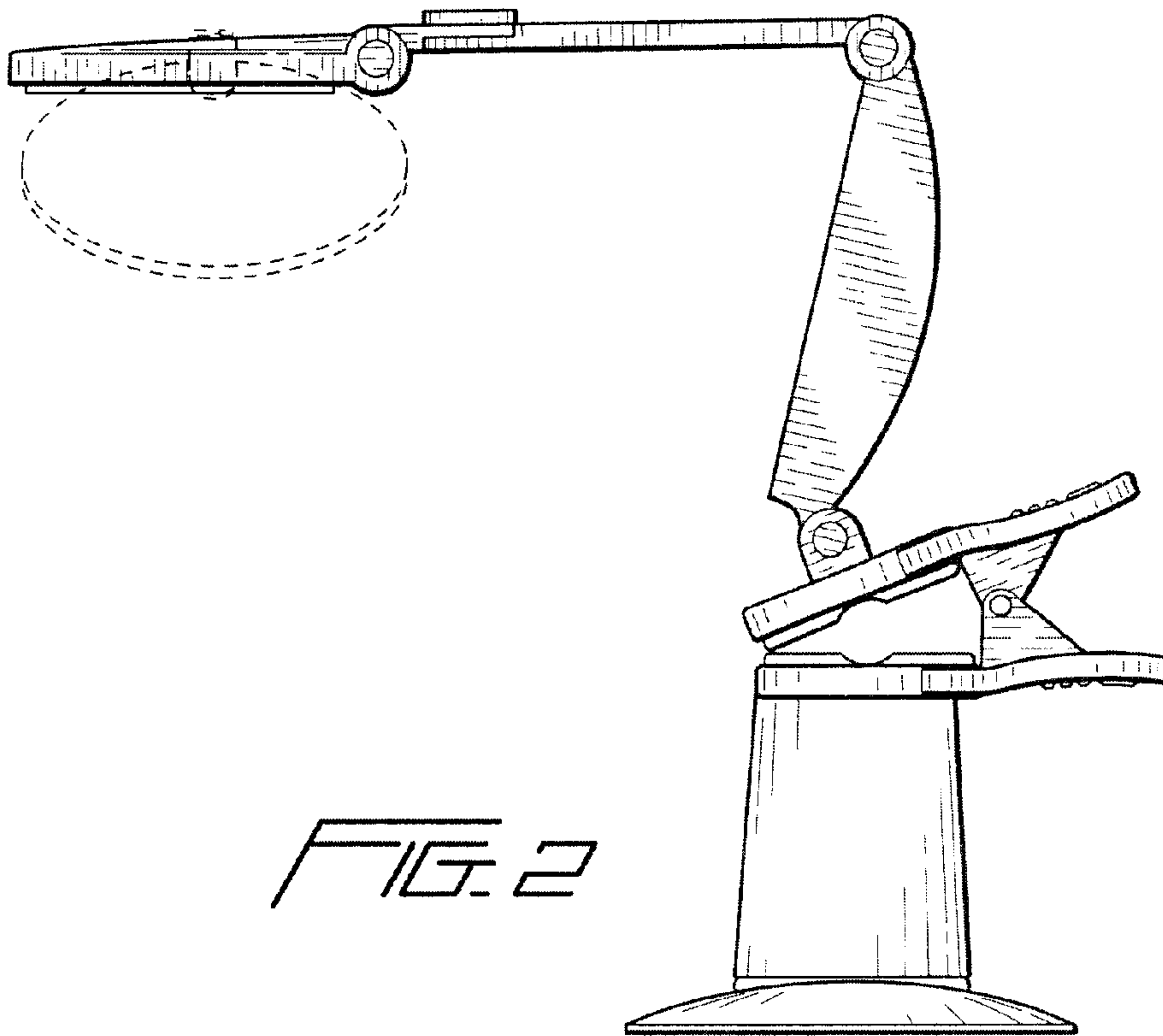


FIG. 2

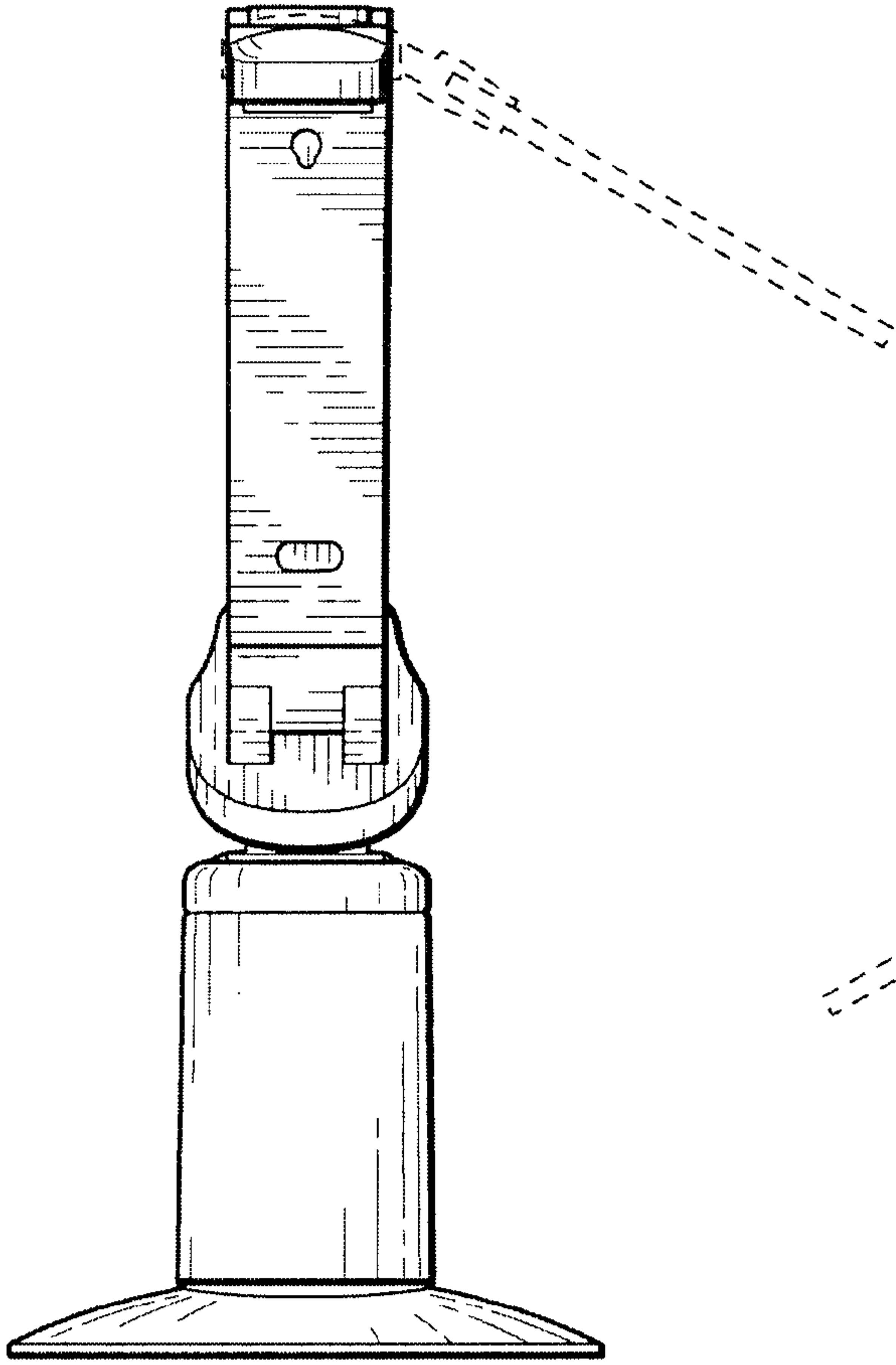


FIG. 3

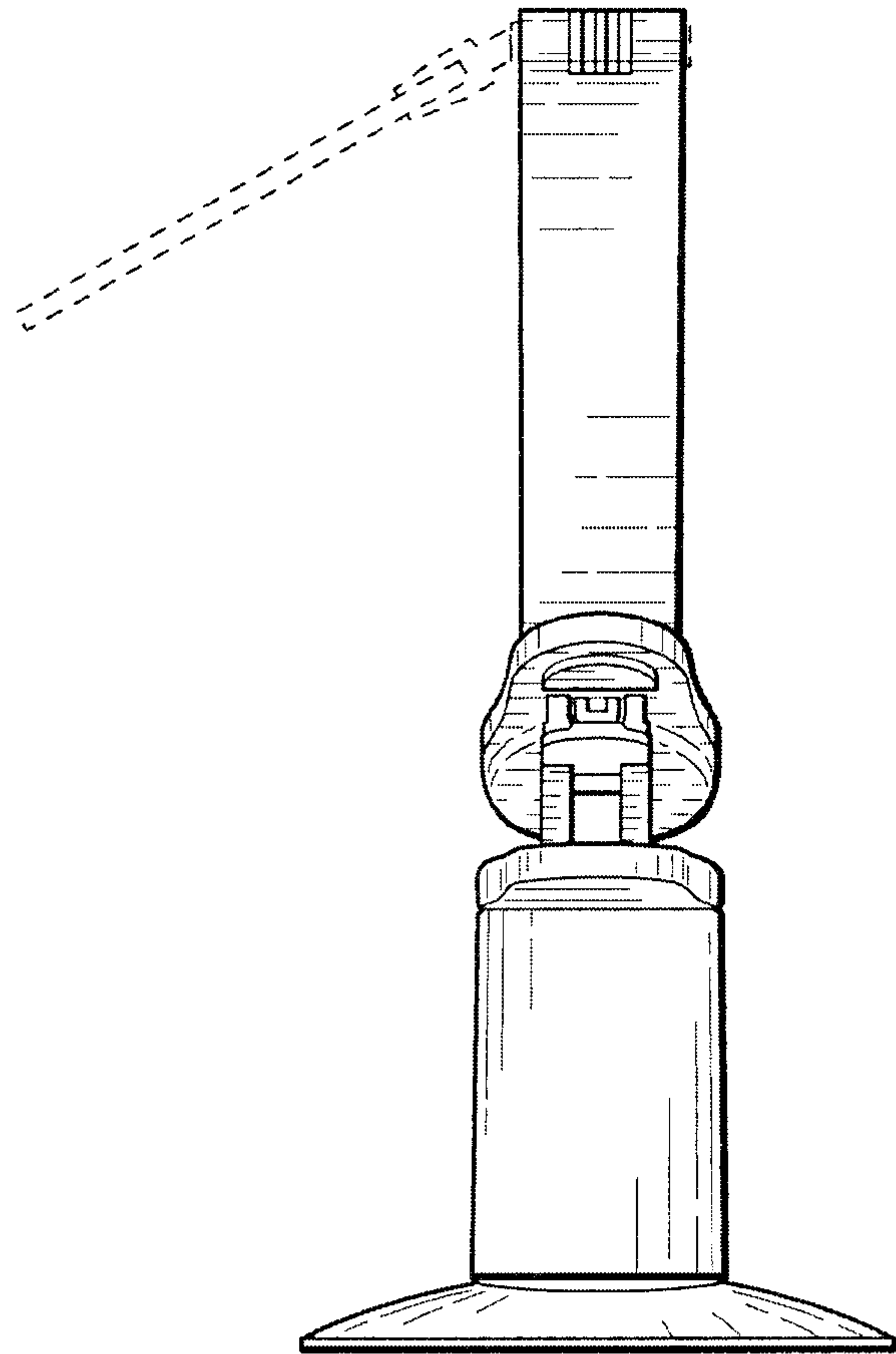


FIG. 4

FIG. 5

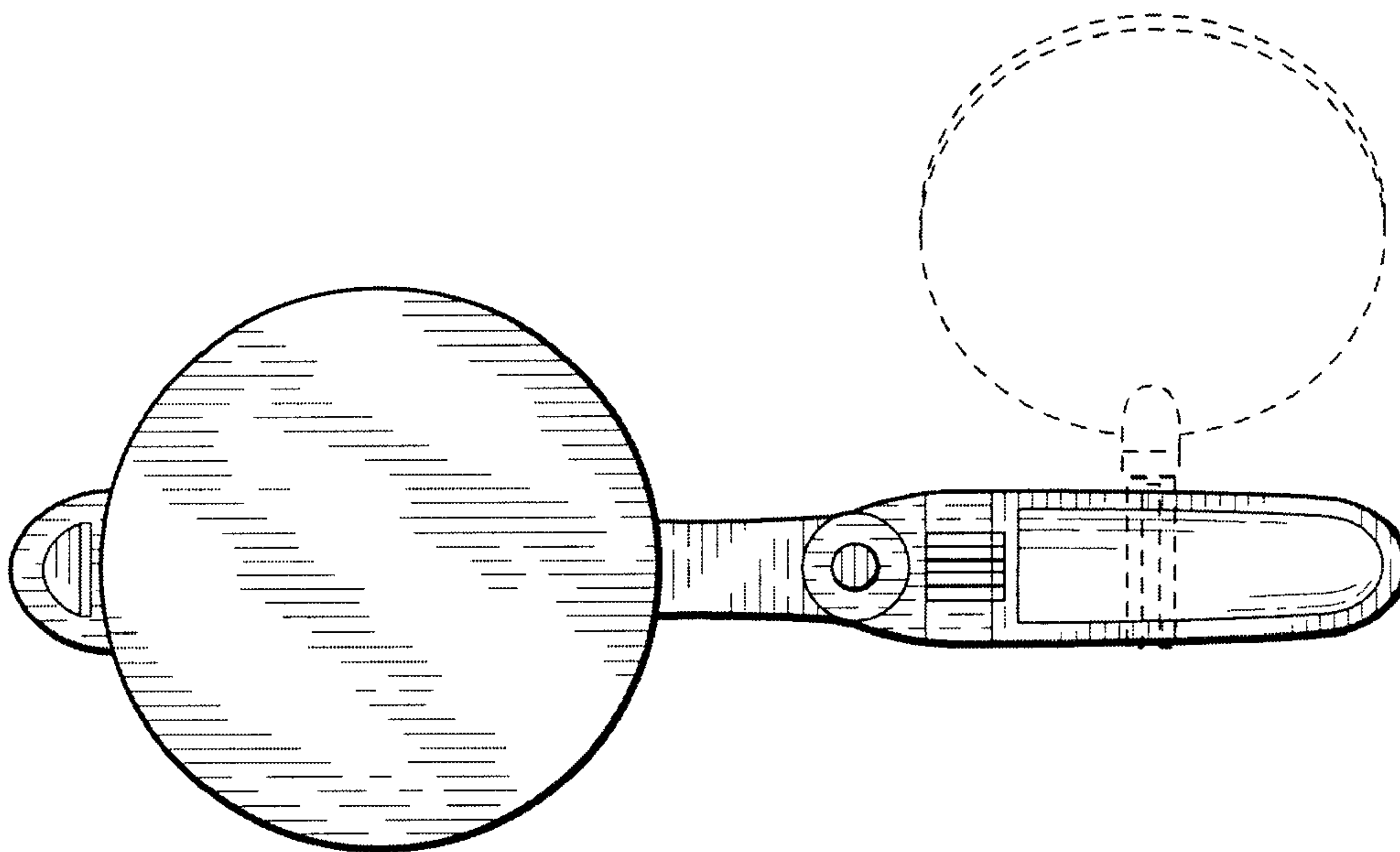
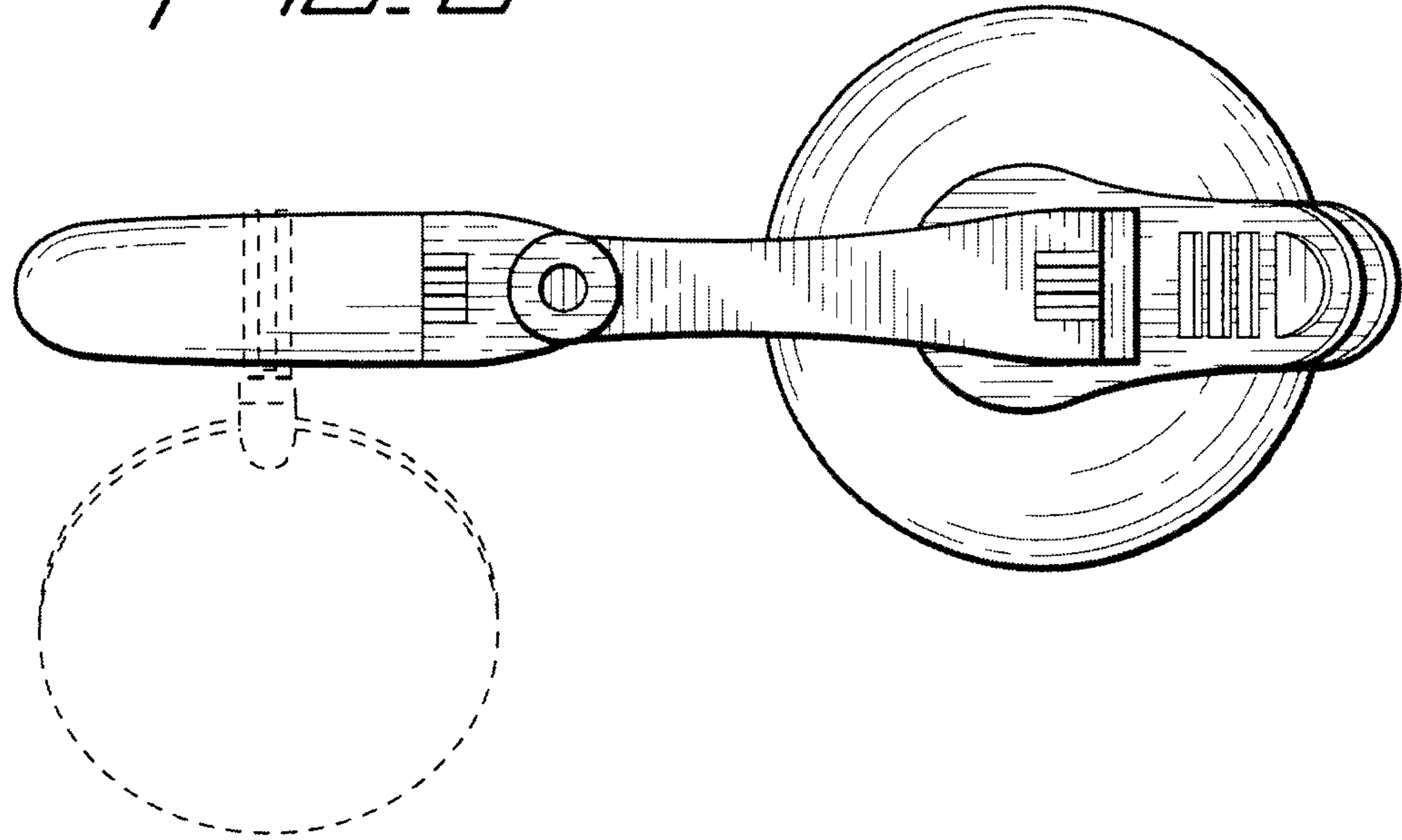


FIG. 6