



US00D524968S

(12) **United States Design Patent**  
**Poon**

(10) **Patent No.:** **US D524,968 S**

(45) **Date of Patent:** **\*\* Jul. 11, 2006**

(54) **LANTERN**

D486,933 S 2/2004 Leung et al.  
D487,809 S 3/2004 Leung et al.  
D498,015 S 11/2004 Leung et al.  
D509,921 S \* 9/2005 Lam ..... D26/40

(75) Inventor: **Leung Kin Poon**, Kowloon (HK)

(73) Assignee: **Bright Commence Ind. Ltd.**, Kowloon (HK)

\* cited by examiner

(\*\*) Term: **14 Years**

*Primary Examiner*—Marcus A. Jackson  
(74) *Attorney, Agent, or Firm*—Intellectual Property Law Group LLP; Otto O. Lee; Juneko Jackson

(21) Appl. No.: **29/238,966**

(22) Filed: **Sep. 23, 2005**

(57) **CLAIM**

(51) **LOC (8) Cl.** ..... **26-02**

(52) **U.S. Cl.** ..... **D26/40**

(58) **Field of Classification Search** ..... D26/37–50;  
362/157, 158, 171–174, 183–208  
See application file for complete search history.

The ornamental design for a lantern, as shown and described.

**DESCRIPTION**

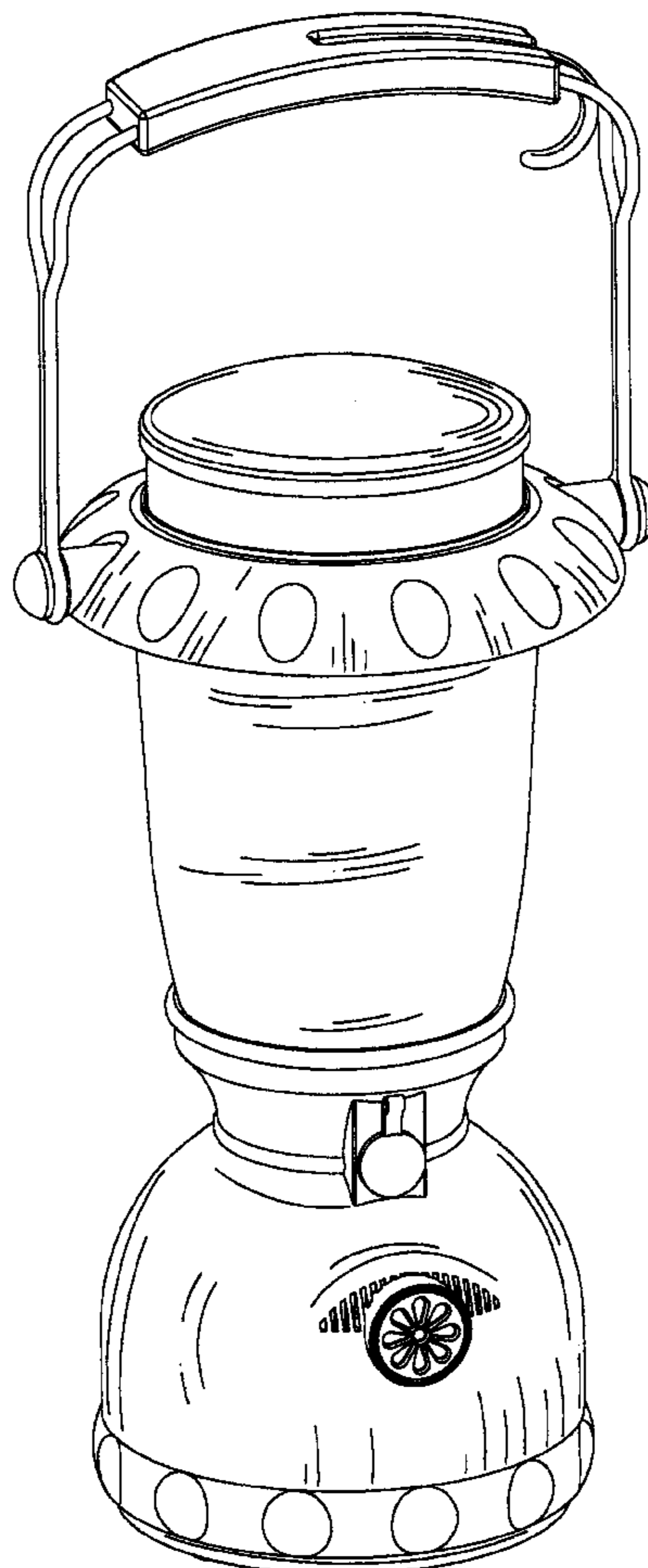
(56) **References Cited**

**U.S. PATENT DOCUMENTS**

D443,088 S \* 5/2001 Skidmore et al. .... D26/40  
D468,039 S 12/2002 Poon  
D474,553 S 5/2003 Poon  
D485,809 S \* 1/2004 Ottens ..... D13/183  
D485,928 S \* 1/2004 Leung et al. .... D26/40  
D486,932 S \* 2/2004 Dario et al. .... D26/40

FIG. 1 is a perspective front view of a lantern, embodying my design;  
FIG. 2 is a perspective rear view thereof;  
FIG. 3 is a front elevational view thereof;  
FIG. 4 is a rear elevational view thereof;  
FIG. 5 is a right side elevational view thereof;  
FIG. 6 is a left side elevational view thereof;  
FIG. 7 is a top plan view thereof; and,  
FIG. 8 is a bottom plan view thereof.

**1 Claim, 4 Drawing Sheets**



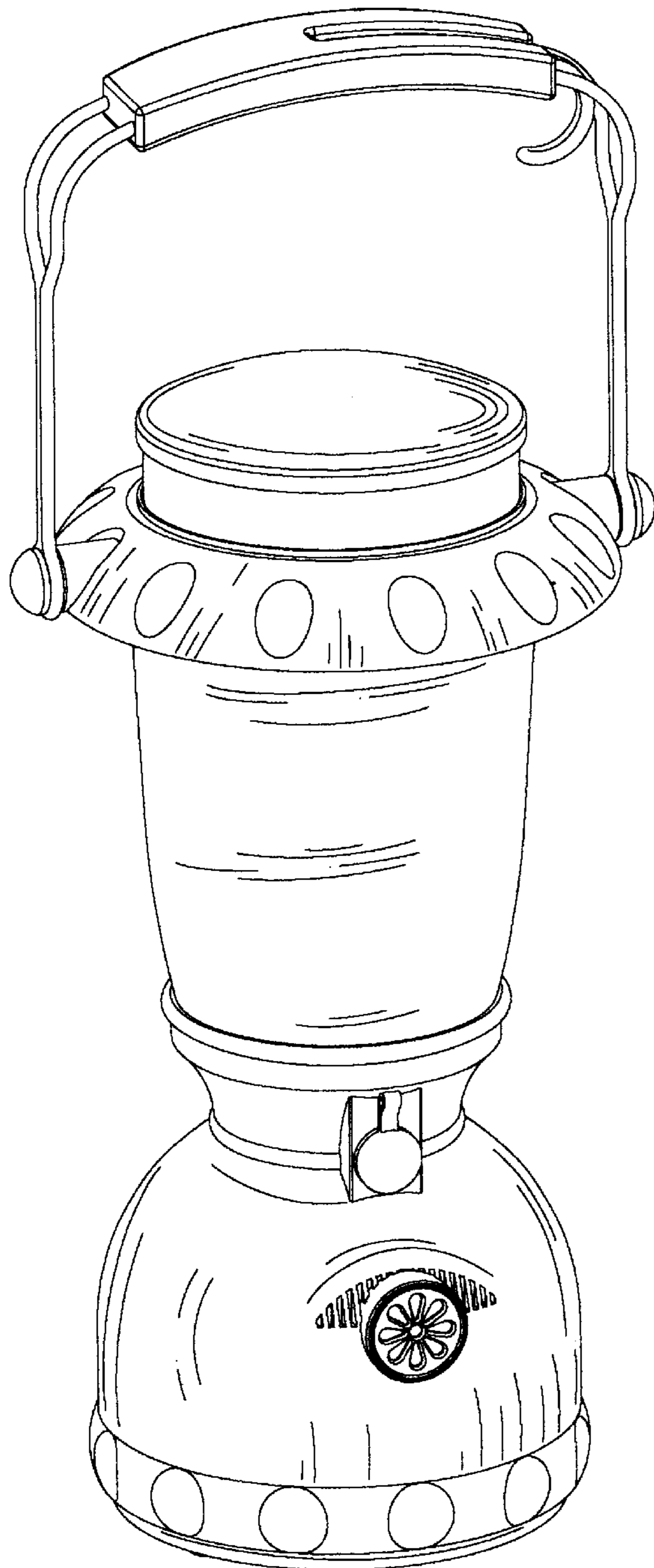


FIG. 1

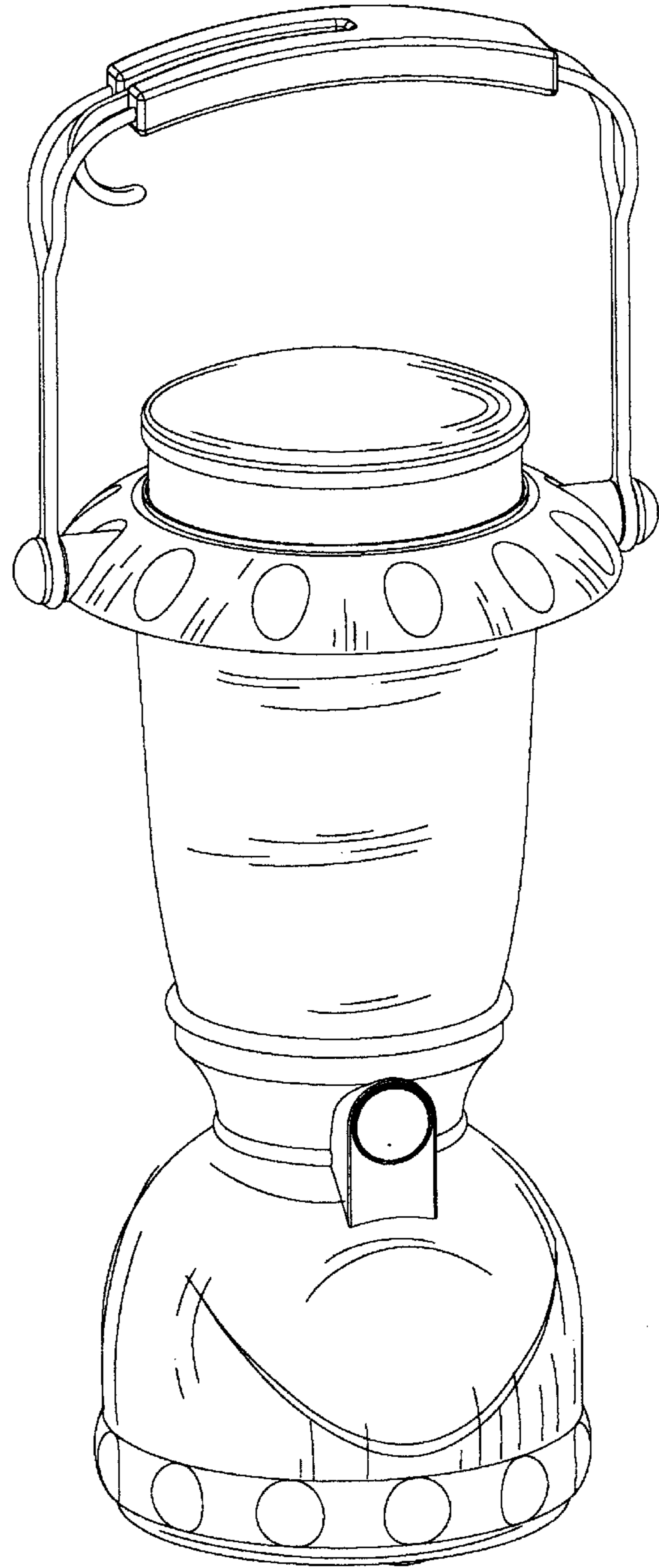


FIG. 2

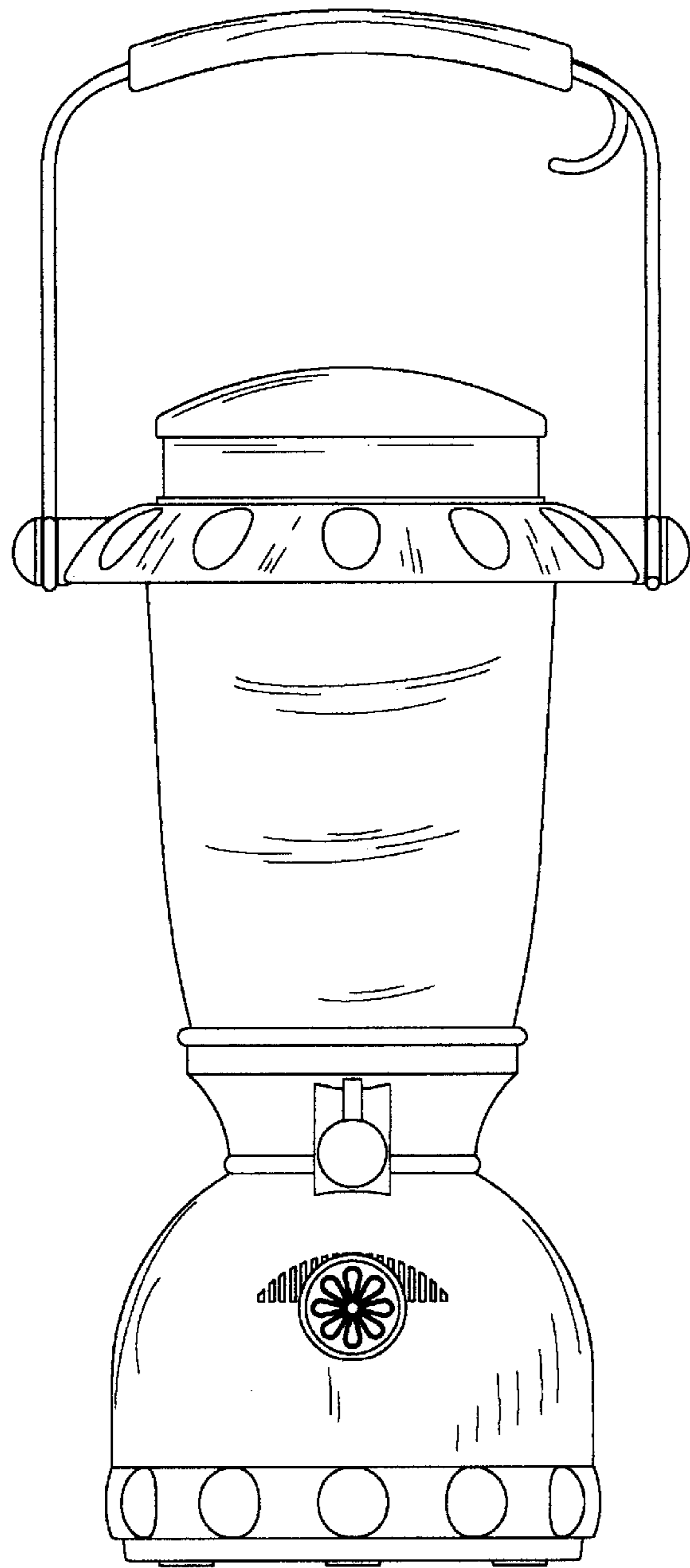


FIG. 3

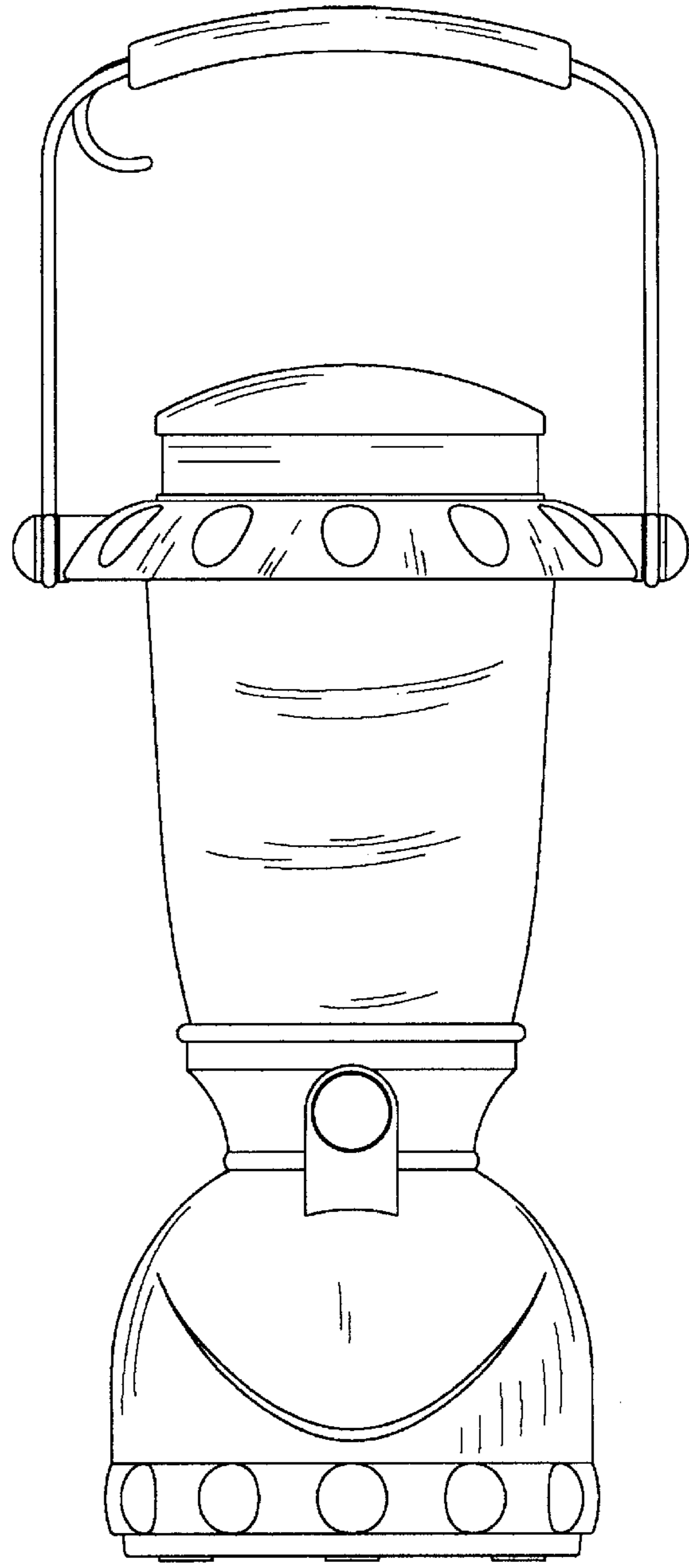


FIG. 4

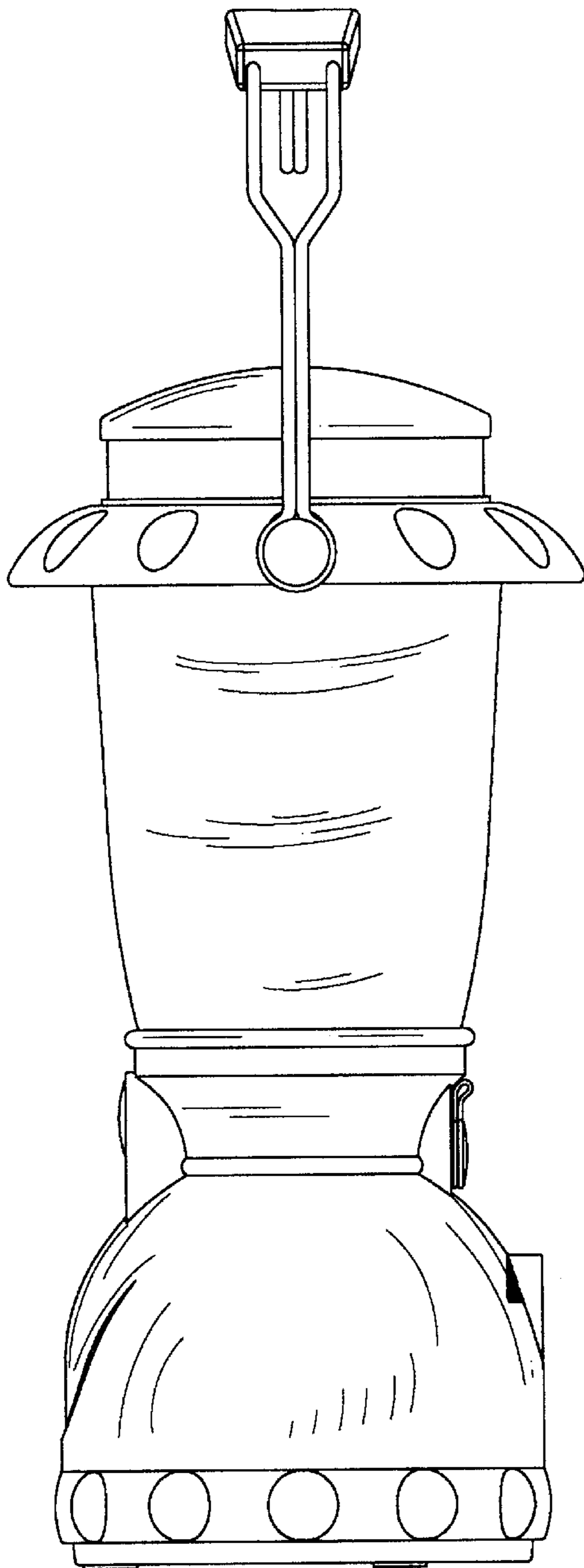


FIG. 5

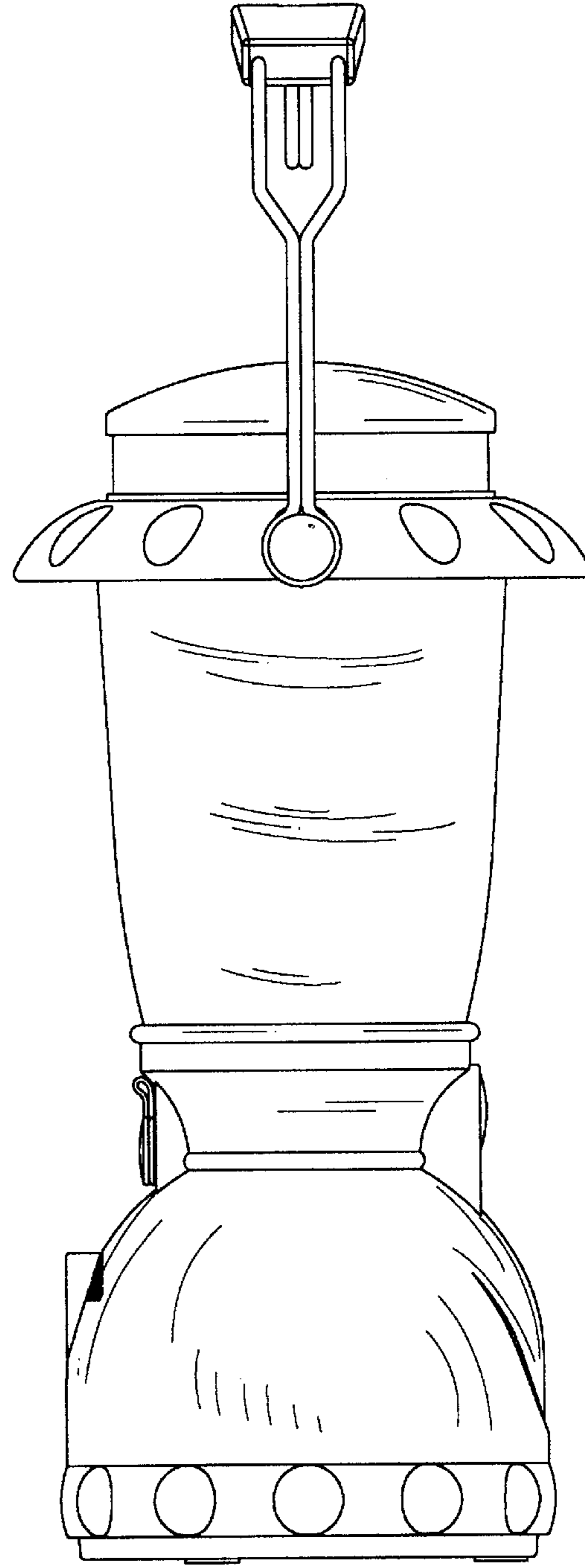


FIG. 6

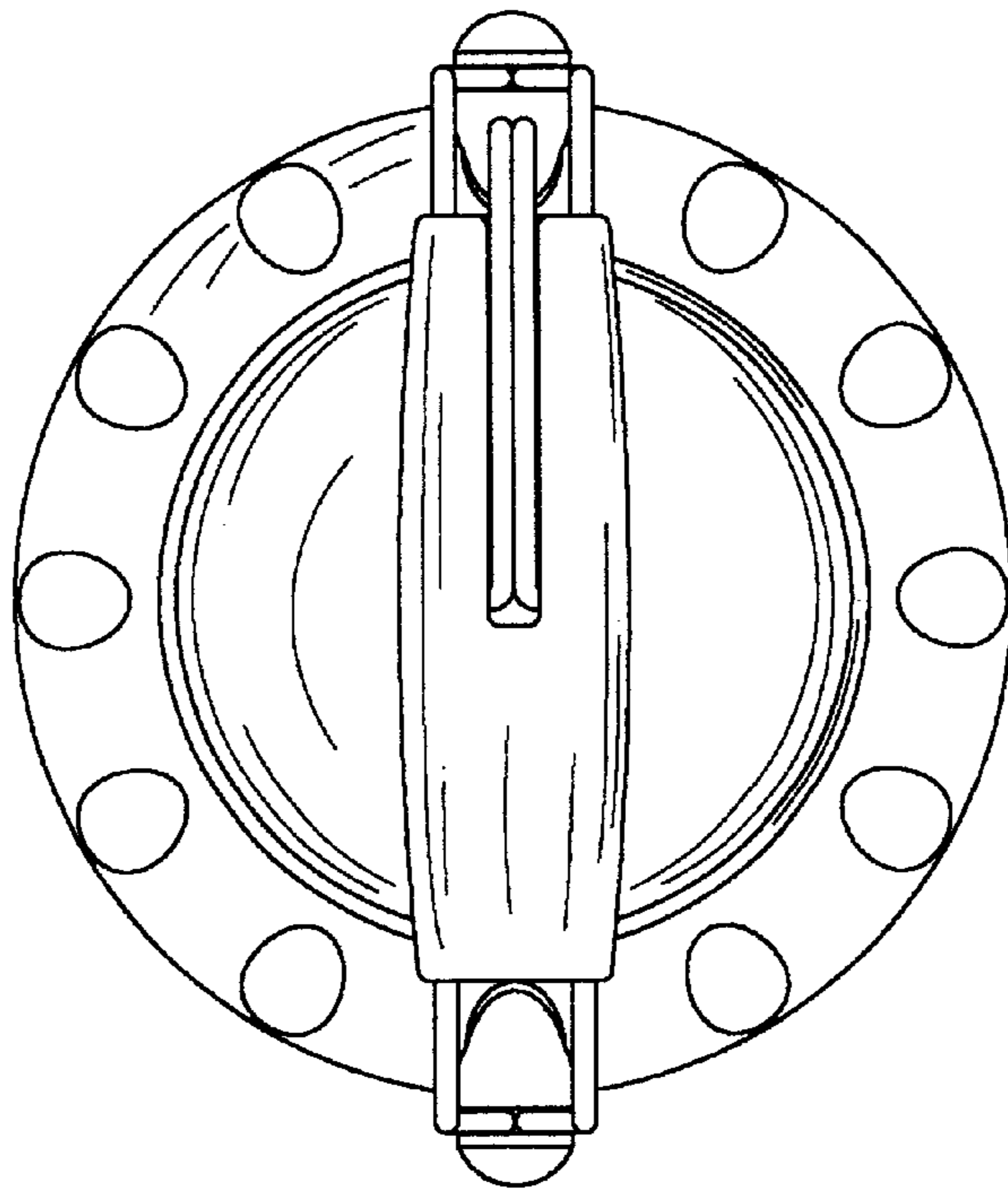


FIG. 7

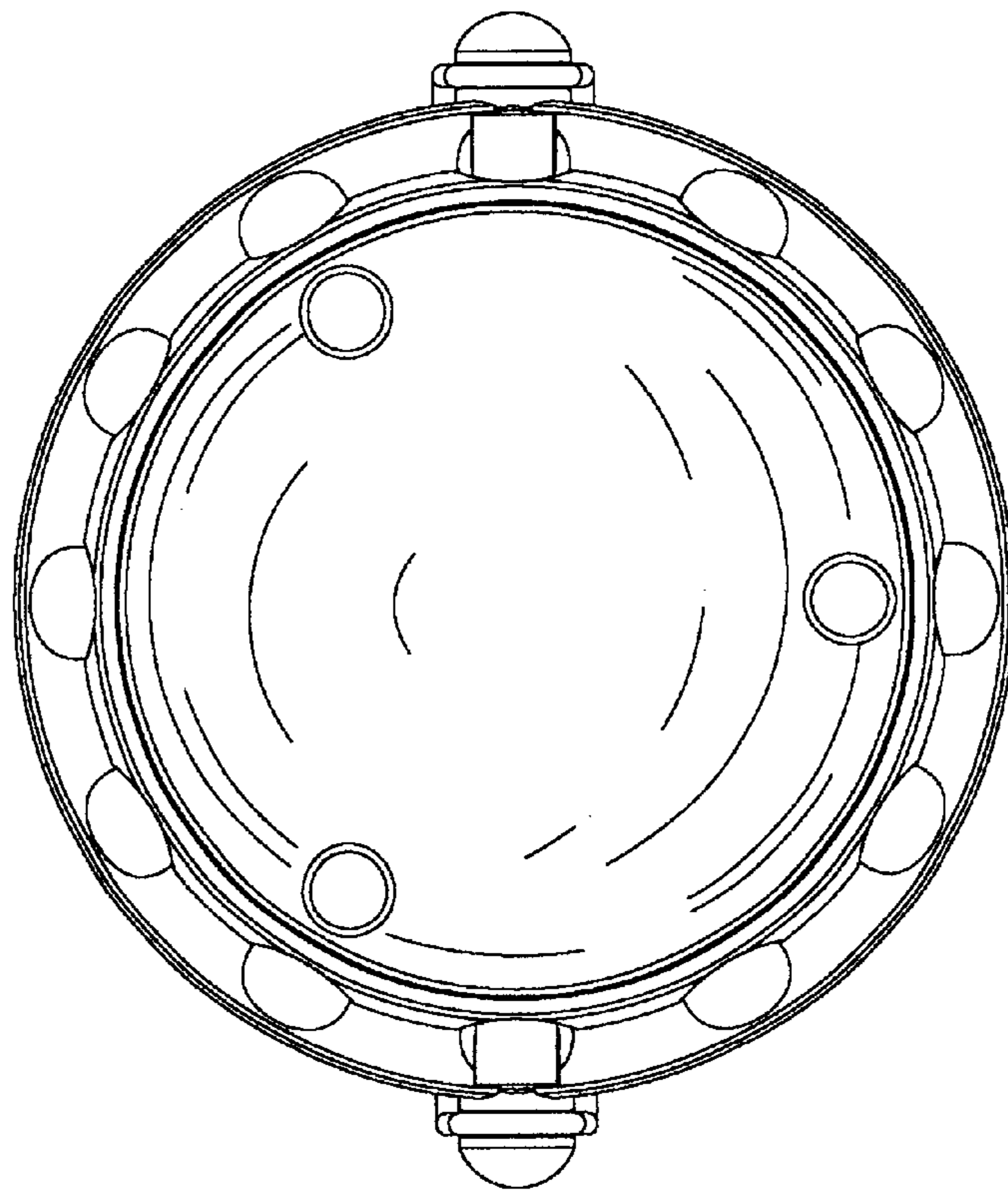


FIG. 8