

US00D524965S

(12) **United States Design Patent**  
**Yuen**

(10) **Patent No.:** **US D524,965 S**

(45) **Date of Patent:** **\*\* Jul. 11, 2006**

(54) **EMERGENCY LIGHT WITH TOOL KIT**

(76) **Inventor:** **Se Kit Yuen**, 6/F, Yau Lee Centre, 45  
Hoi Yuen Road, Kwun Tong, Kowloon  
(HK)

(\*\*) **Term:** **14 Years**

(21) **Appl. No.:** **29/239,091**

(22) **Filed:** **Sep. 26, 2005**

(51) **LOC (8) Cl.** ..... **26-02**

(52) **U.S. Cl.** ..... **D26/38**

(58) **Field of Classification Search** ..... D26/37-50;  
362/157, 158, 171-174, 183-208  
See application file for complete search history.

(56) **References Cited**

**U.S. PATENT DOCUMENTS**

D384,202 S \* 9/1997 Gilmore ..... D3/274  
D389,593 S \* 1/1998 Shiao ..... D26/38

D410,760 S \* 6/1999 Yao ..... D26/38  
D427,345 S \* 6/2000 Yuen ..... D26/38  
D444,250 S \* 6/2001 Yuen ..... D26/38  
D484,626 S \* 12/2003 Hanselman et al. .... D26/38

\* cited by examiner

*Primary Examiner*—Marcus A. Jackson

(74) *Attorney, Agent, or Firm*—Akerman Senterfitt

(57) **CLAIM**

The ornamental design for an emergency light with tool kit,  
as shown and described.

**DESCRIPTION**

FIG. 1 is a front view of an emergency light with tool kit.

FIG. 2 is a rear view thereof.

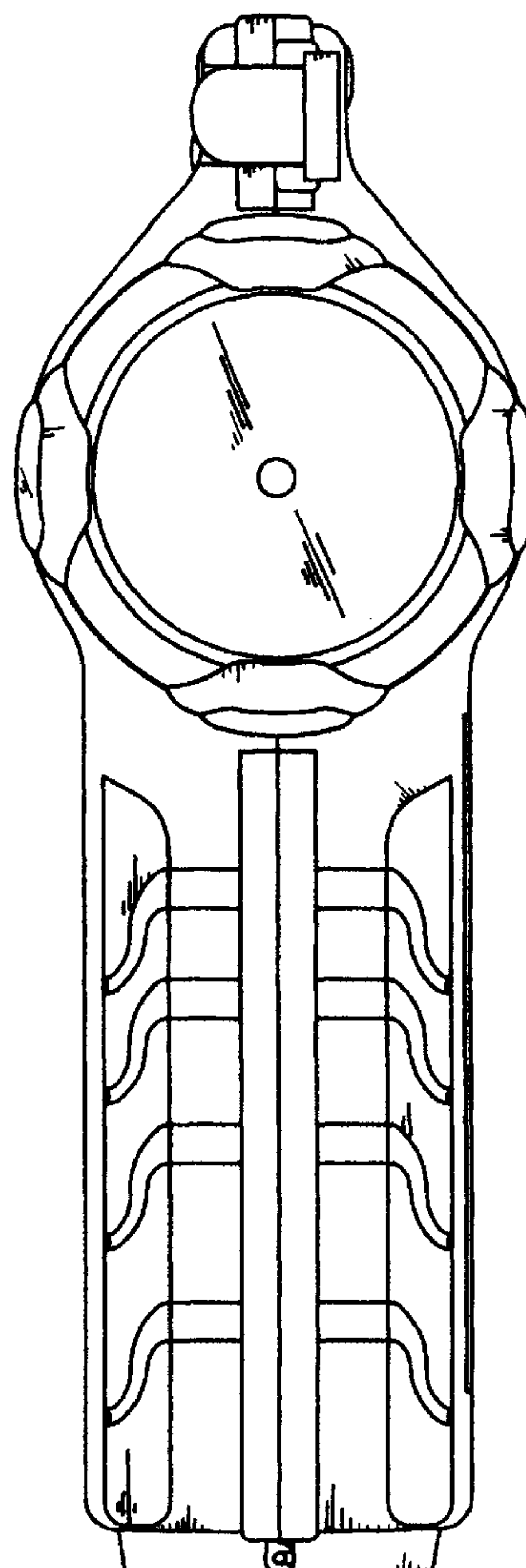
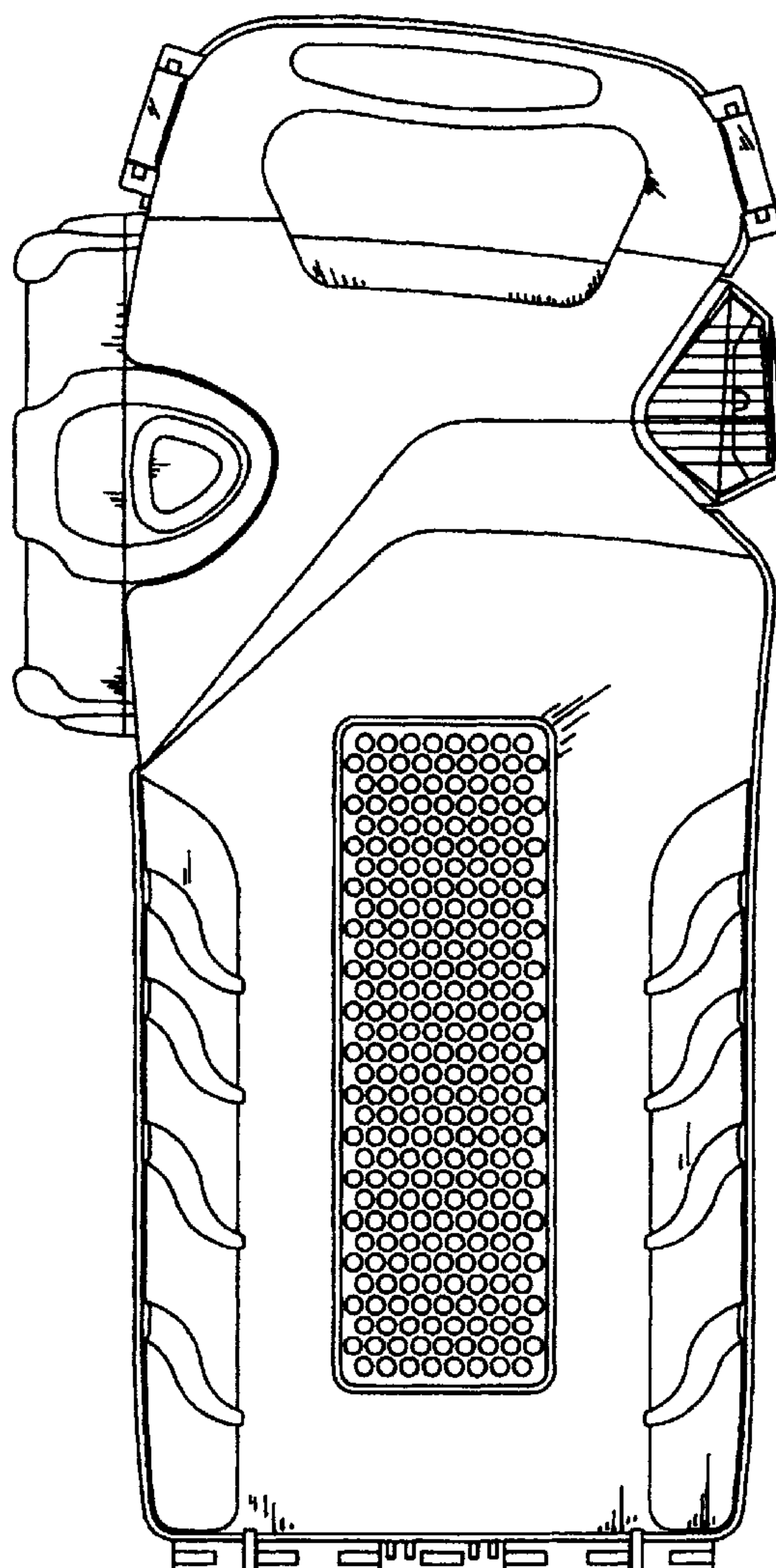
FIG. 3 is a top view thereof.

FIG. 4 is a bottom view thereof.

FIG. 5 is a side view thereof; and,

FIG. 6 is an other side view thereof.

**1 Claim, 5 Drawing Sheets**



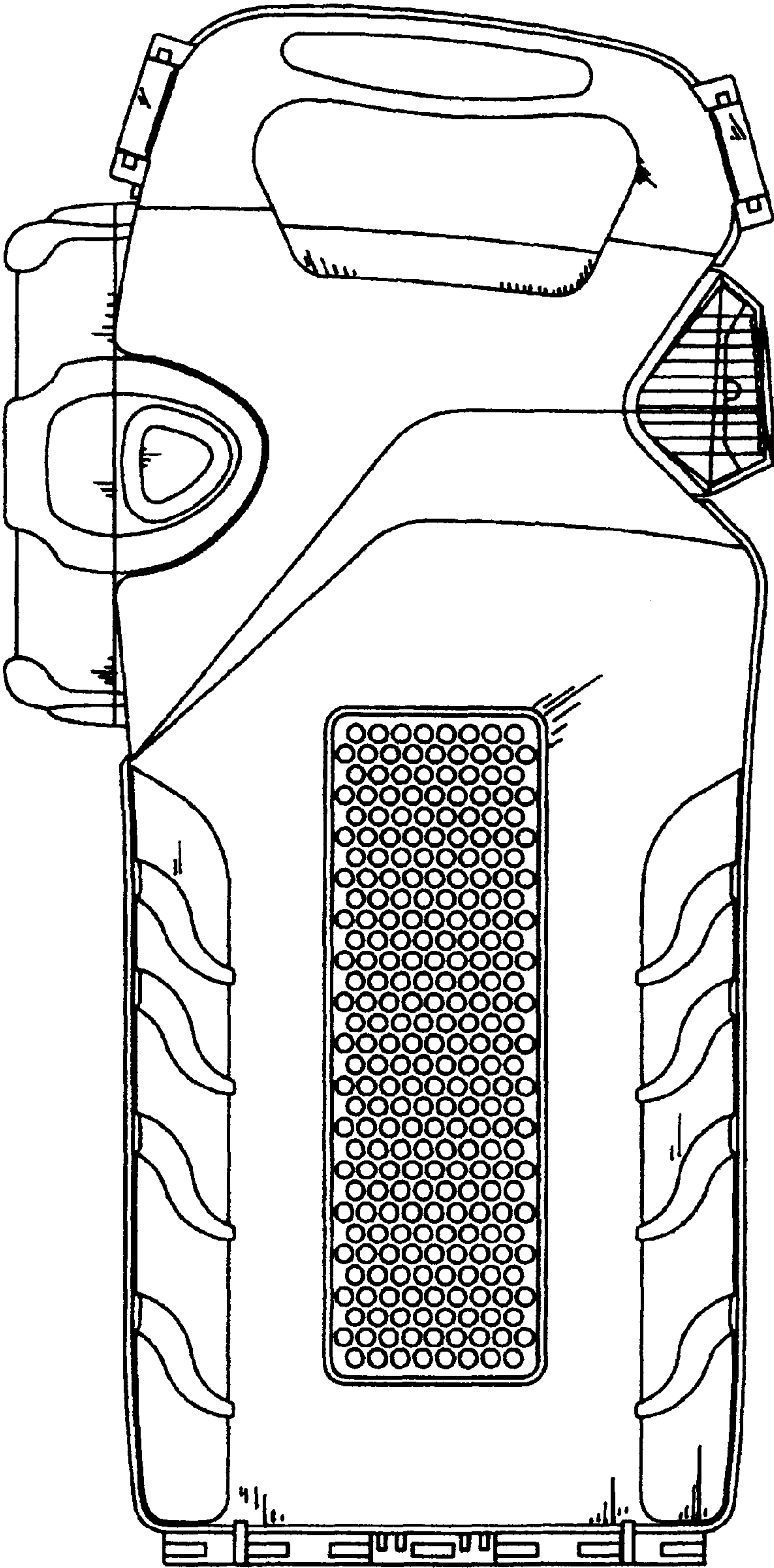


FIG. 1

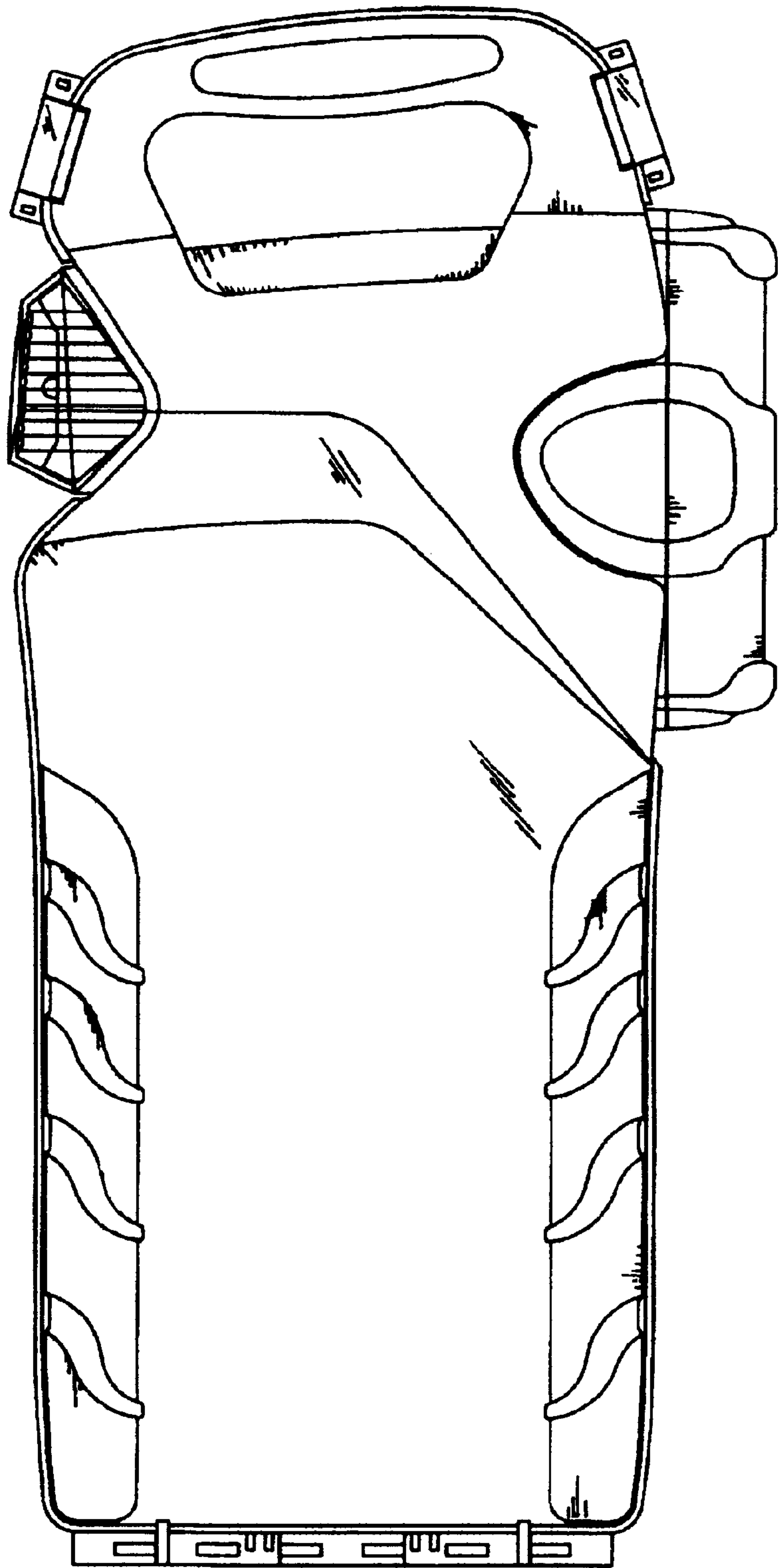


FIG. 2

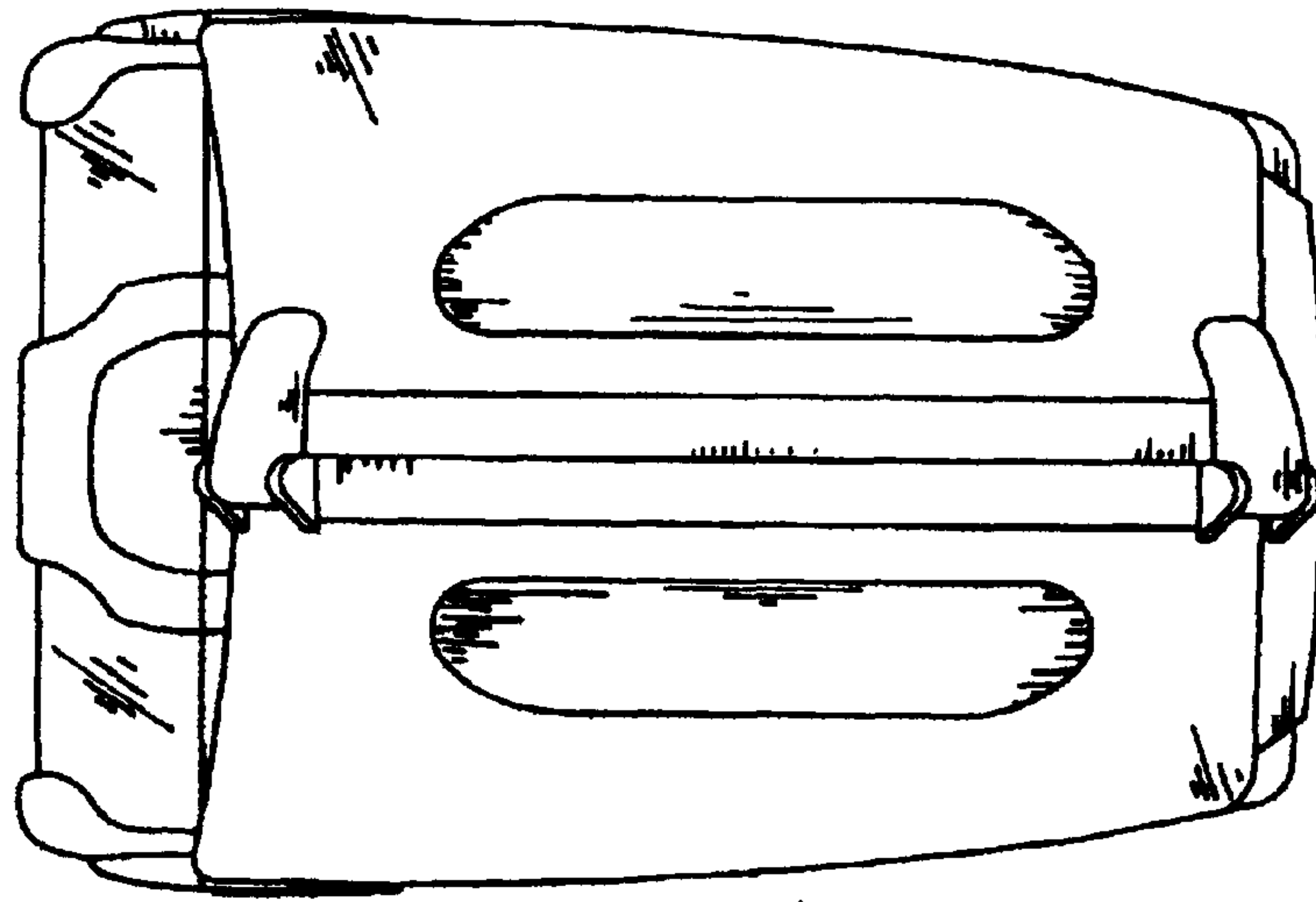


FIG. 3

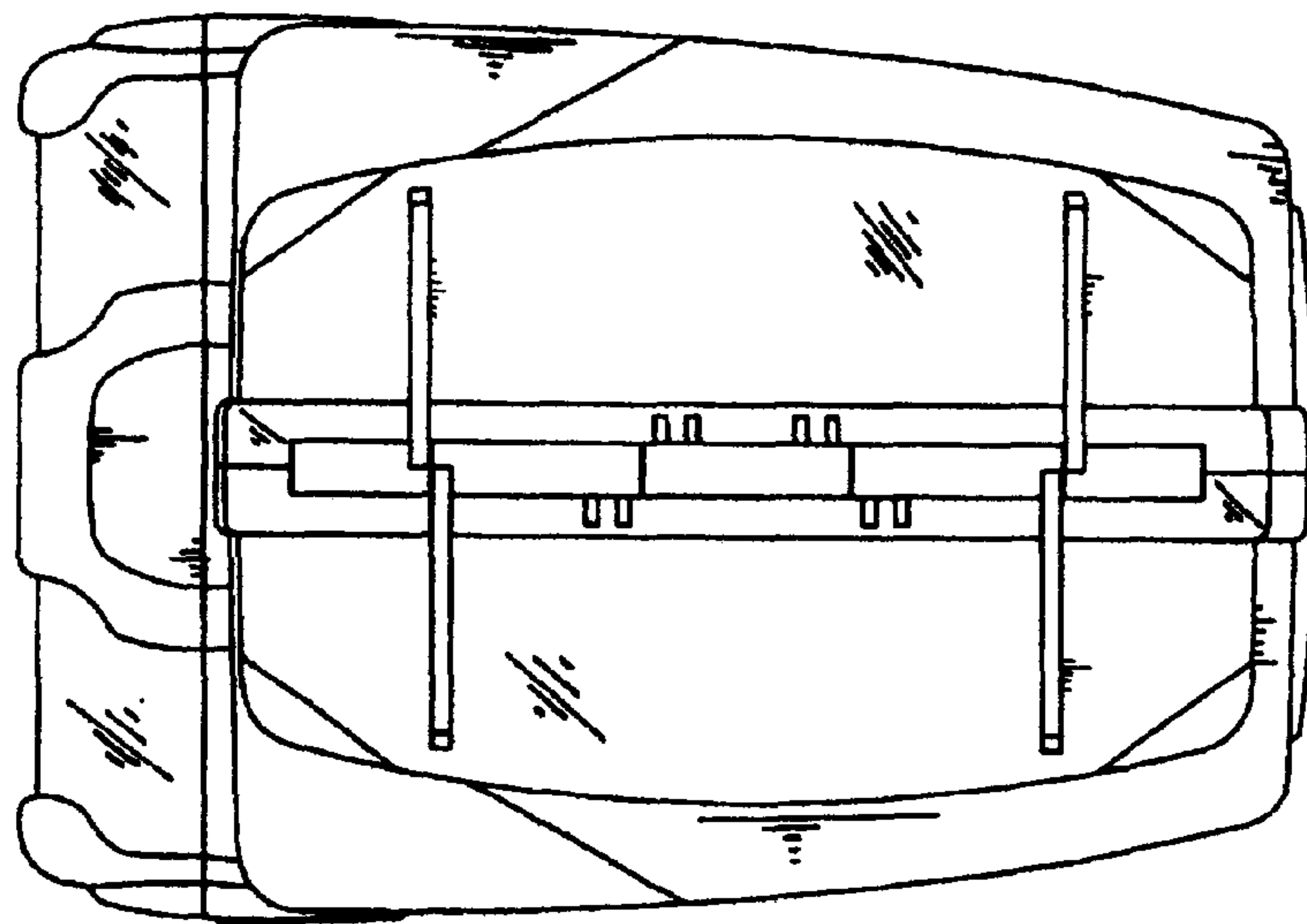


FIG. 4



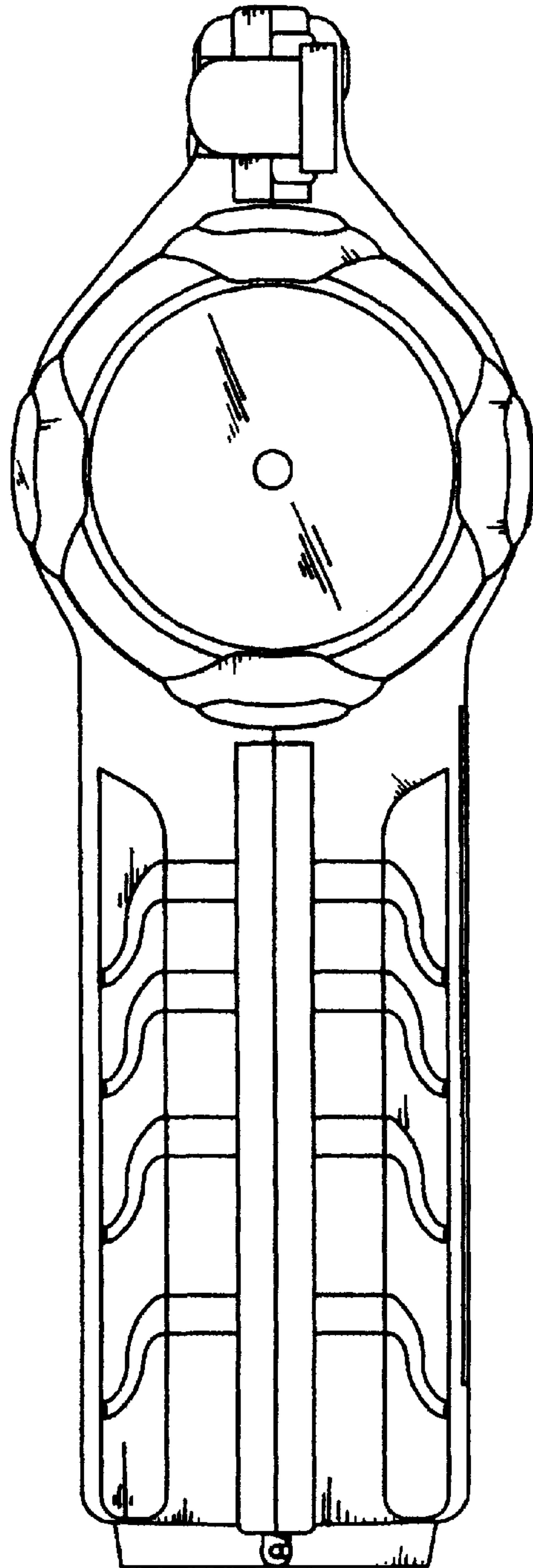


FIG. 5

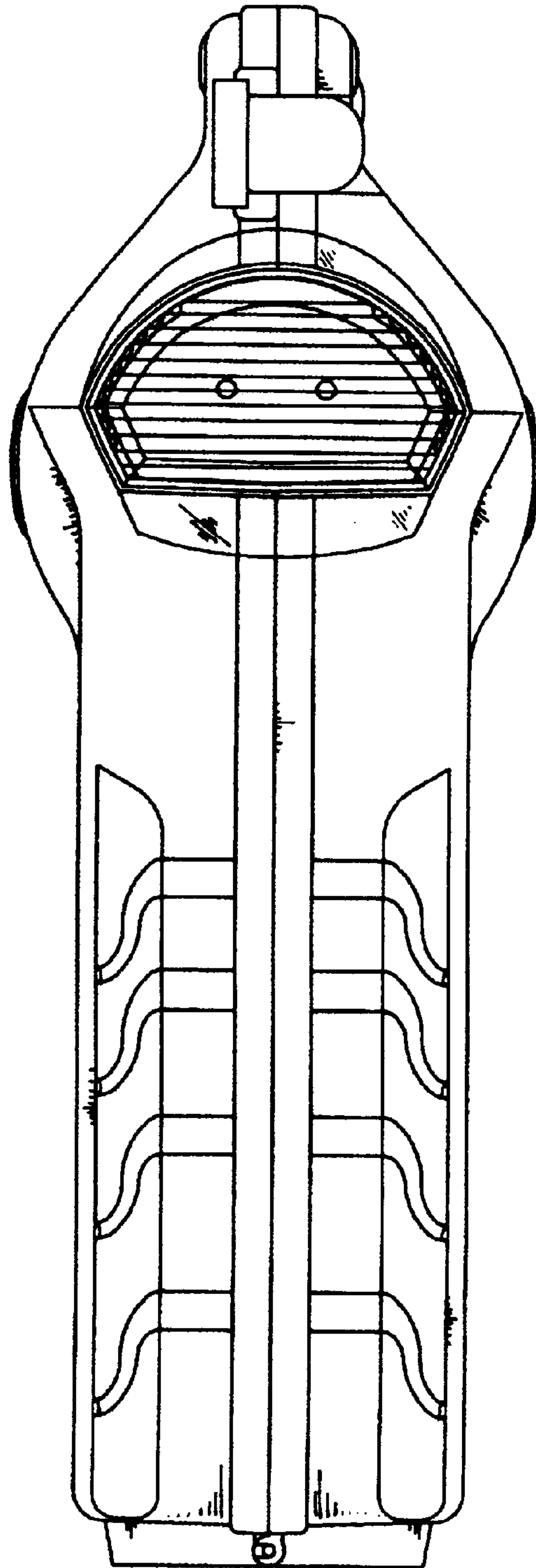


FIG. 6