



US00D524963S

(12) **United States Design Patent**  
**Thuma et al.**

(10) **Patent No.:** **US D524,963 S**  
(45) **Date of Patent:** **\*\* Jul. 11, 2006**

(54) **SELF-SUPPORTING FOLDABLE  
FLASHLIGHT-TOOL COMBINATION**

D474,391 S \* 5/2003 Padden et al. .... D8/99  
D479,350 S \* 9/2003 Herman ..... D26/38

(75) Inventors: **Michael Thuma**, LaGrange, IL (US);  
**Paul Mann**, Oak Park, IL (US)

\* cited by examiner

*Primary Examiner*—Marcus A. Jackson

(73) Assignee: **NTM Industries, LLC**, LaGrange, IL  
(US)

(57) **CLAIM**

The ornamental design for a self-supporting foldable flash-  
light-tool combination, as shown and described.

(\*\*) Term: **14 Years**

**DESCRIPTION**

(21) Appl. No.: **29/230,100**

FIG. 1 is a perspective view of the self-supporting foldable  
flashlight-tool combination in a partially unfolded configu-  
ration.

(22) Filed: **May 17, 2005**

FIG. 2 is an another perspective view thereof.

(51) **LOC (8) Cl.** ..... **26-02**

FIG. 3 is a top view thereof.

(52) **U.S. Cl.** ..... **D26/38**

FIG. 4 is a side view thereof.

FIG. 5 is a front view thereof.

(58) **Field of Classification Search** ..... D26/37-50;  
362/157, 158, 171-174, 183-208  
See application file for complete search history.

FIG. 6 is a rear view thereof.

FIG. 7 is a bottom view thereof.

FIG. 8 is a third perspective view thereof in a folded  
configuration; and,

FIG. 9 is a side view thereof.

The broken line showing of the other parts are for illustrative  
purposes only and forms no part of the claimed design.

(56) **References Cited**

**U.S. PATENT DOCUMENTS**

D459,190 S \* 6/2002 Chen ..... D8/105

**1 Claim, 4 Drawing Sheets**

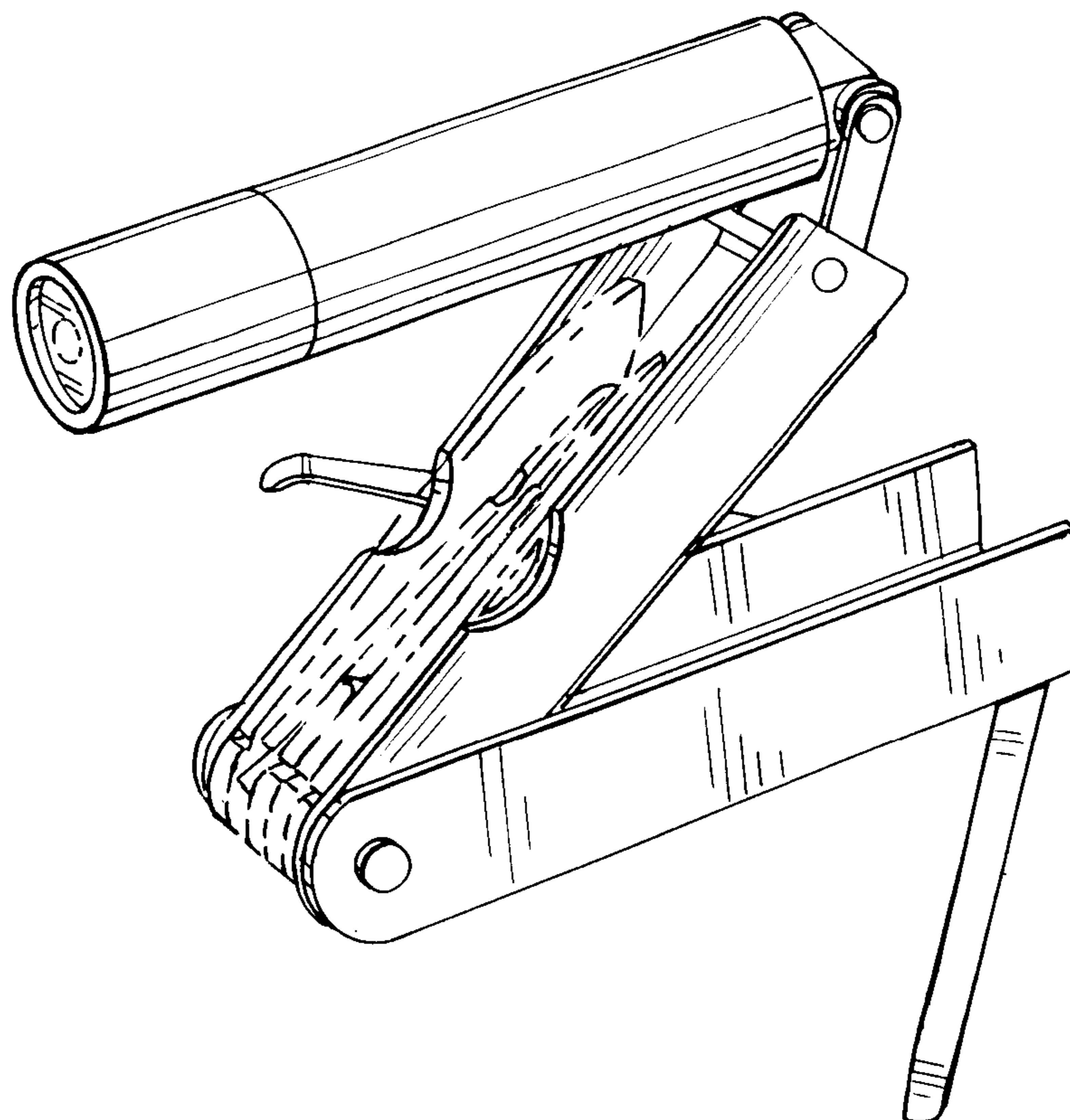


FIG. 1

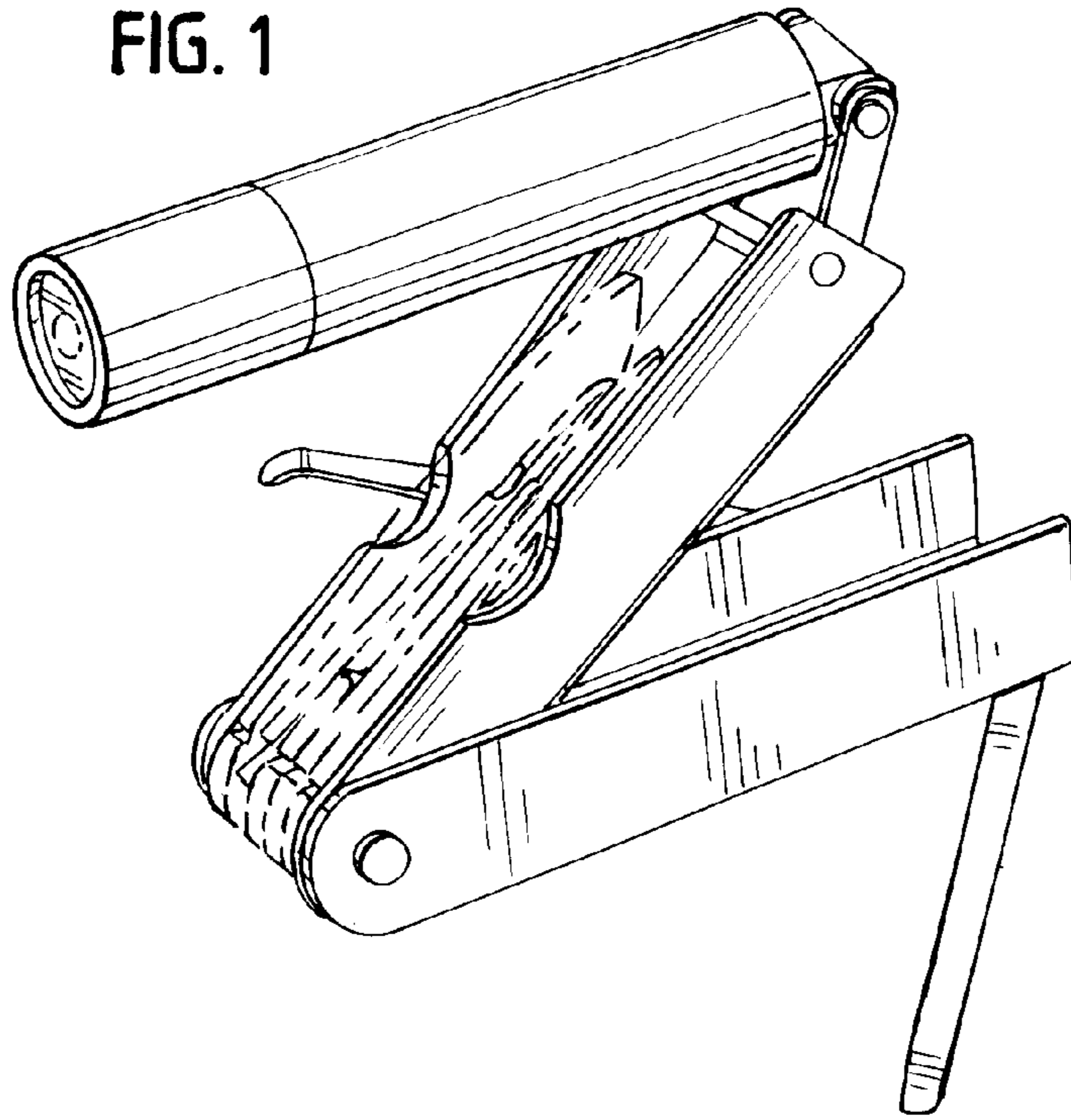


FIG. 2

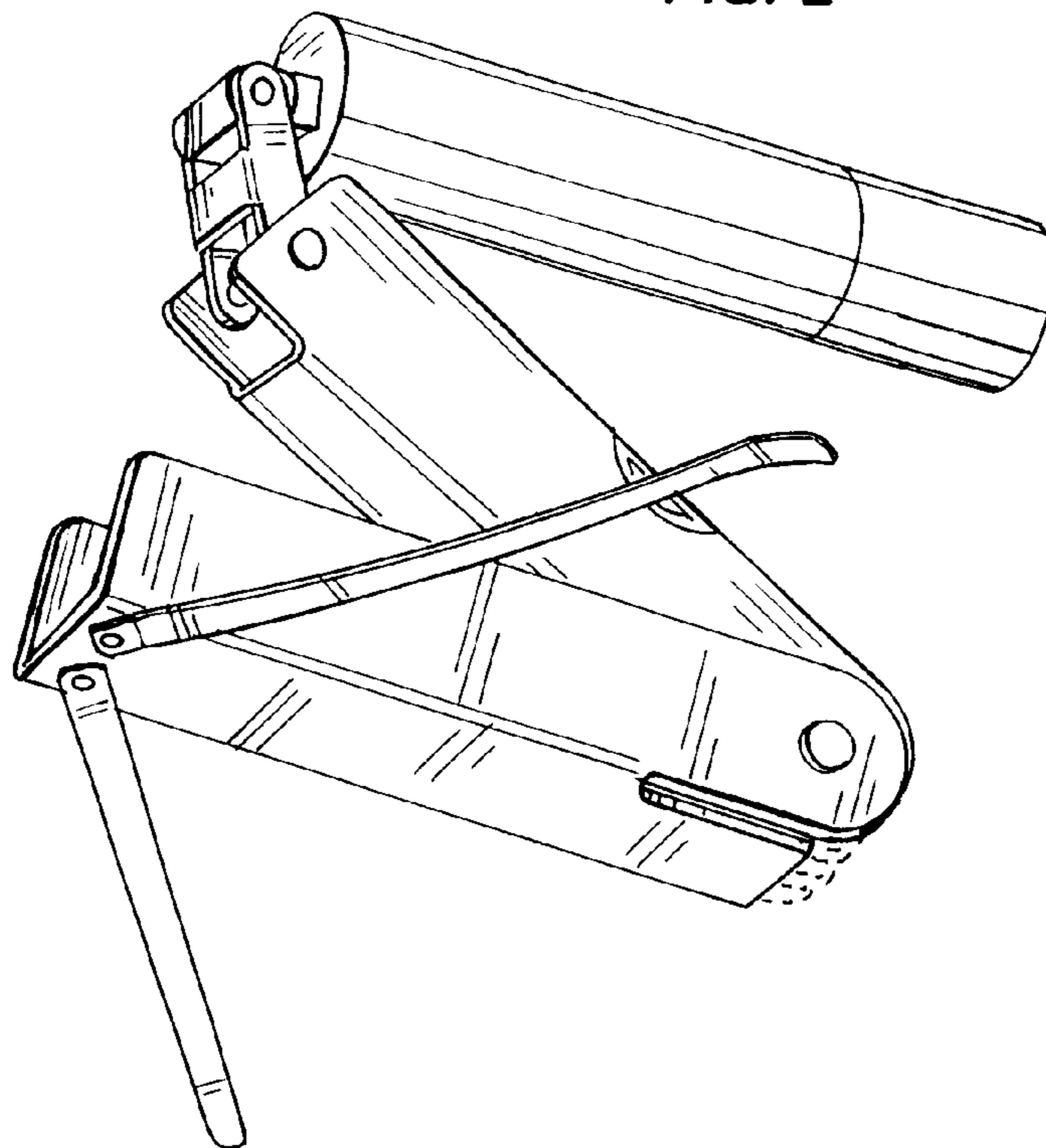


FIG. 3

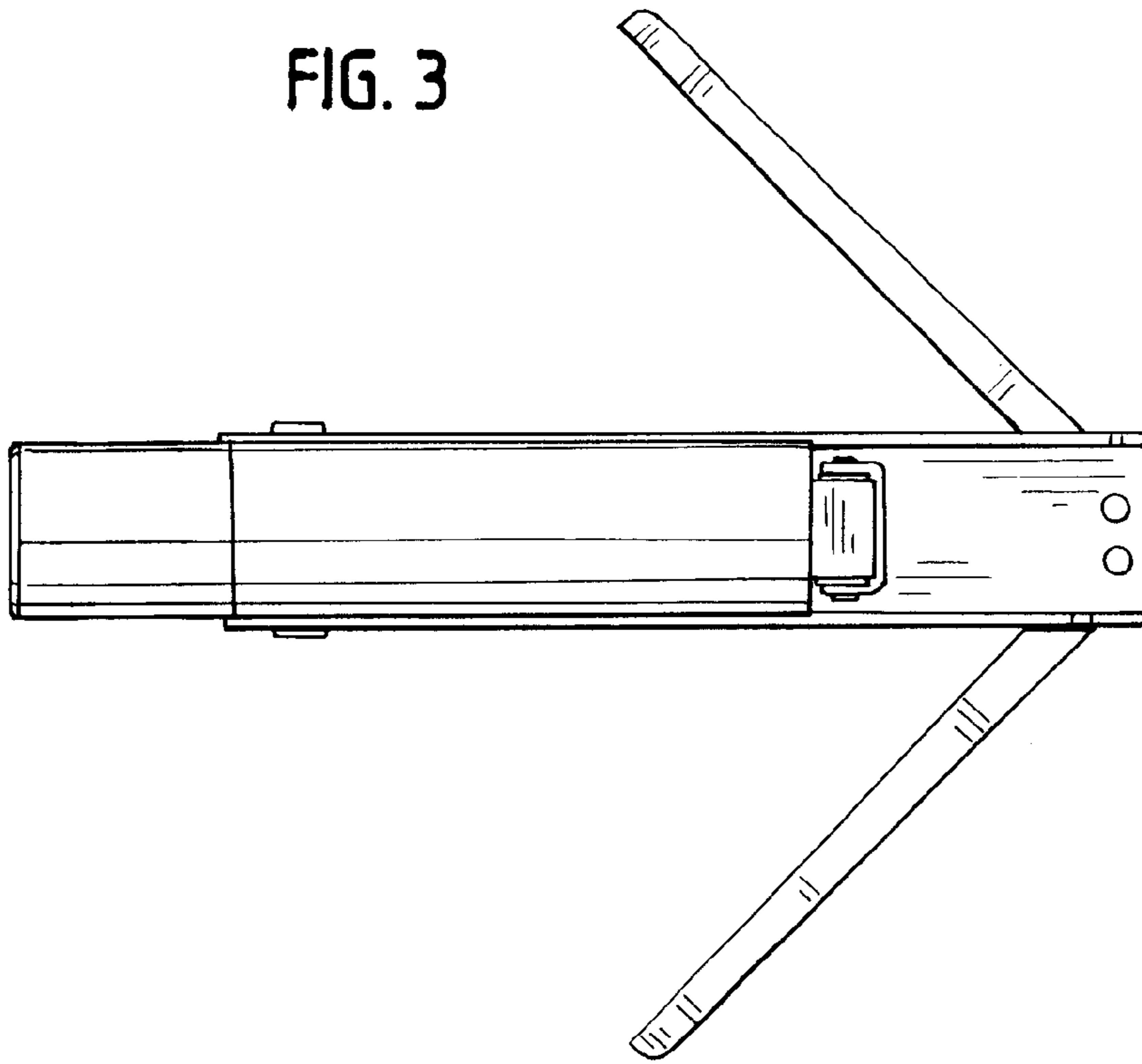


FIG. 4

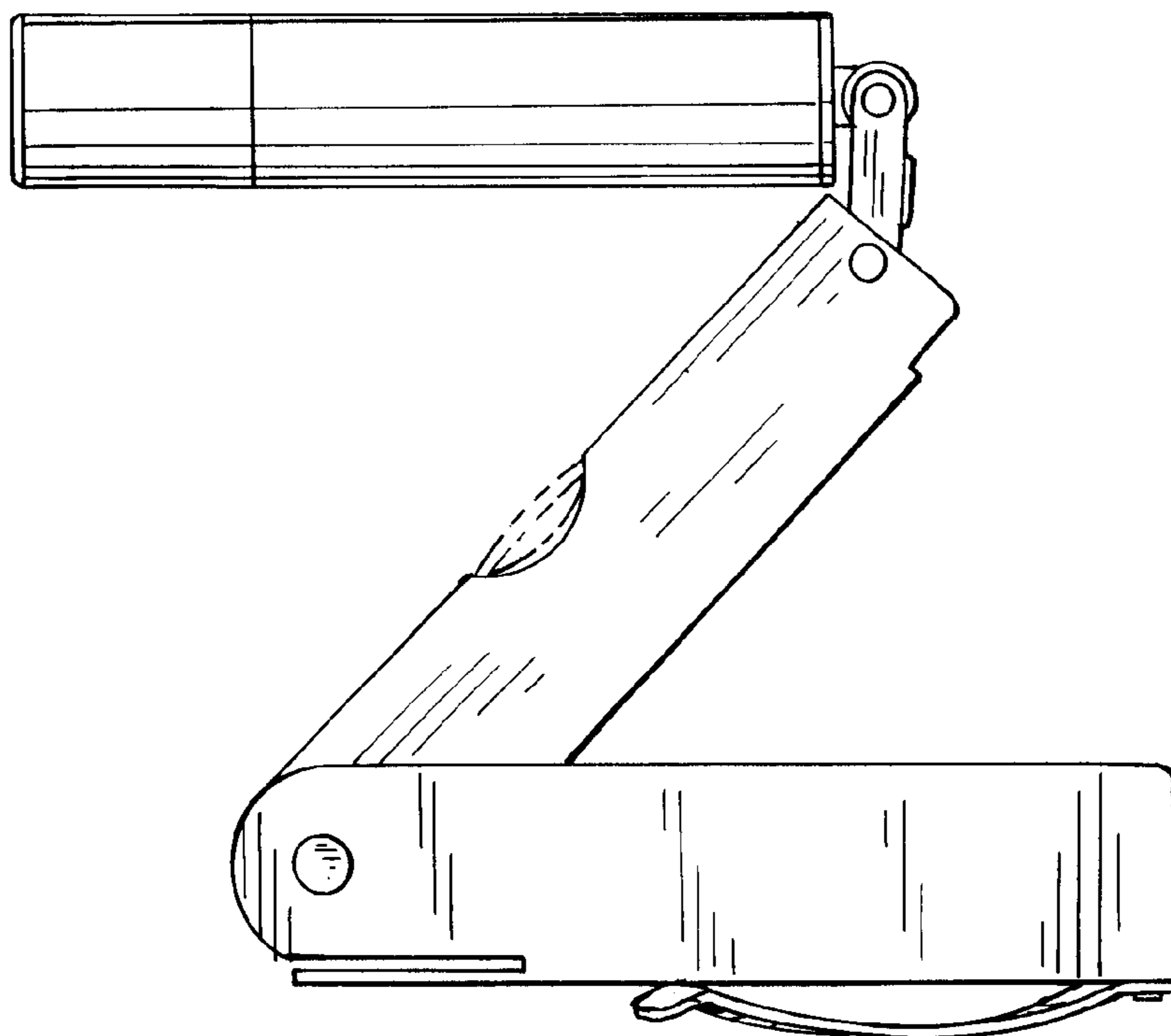


FIG. 5

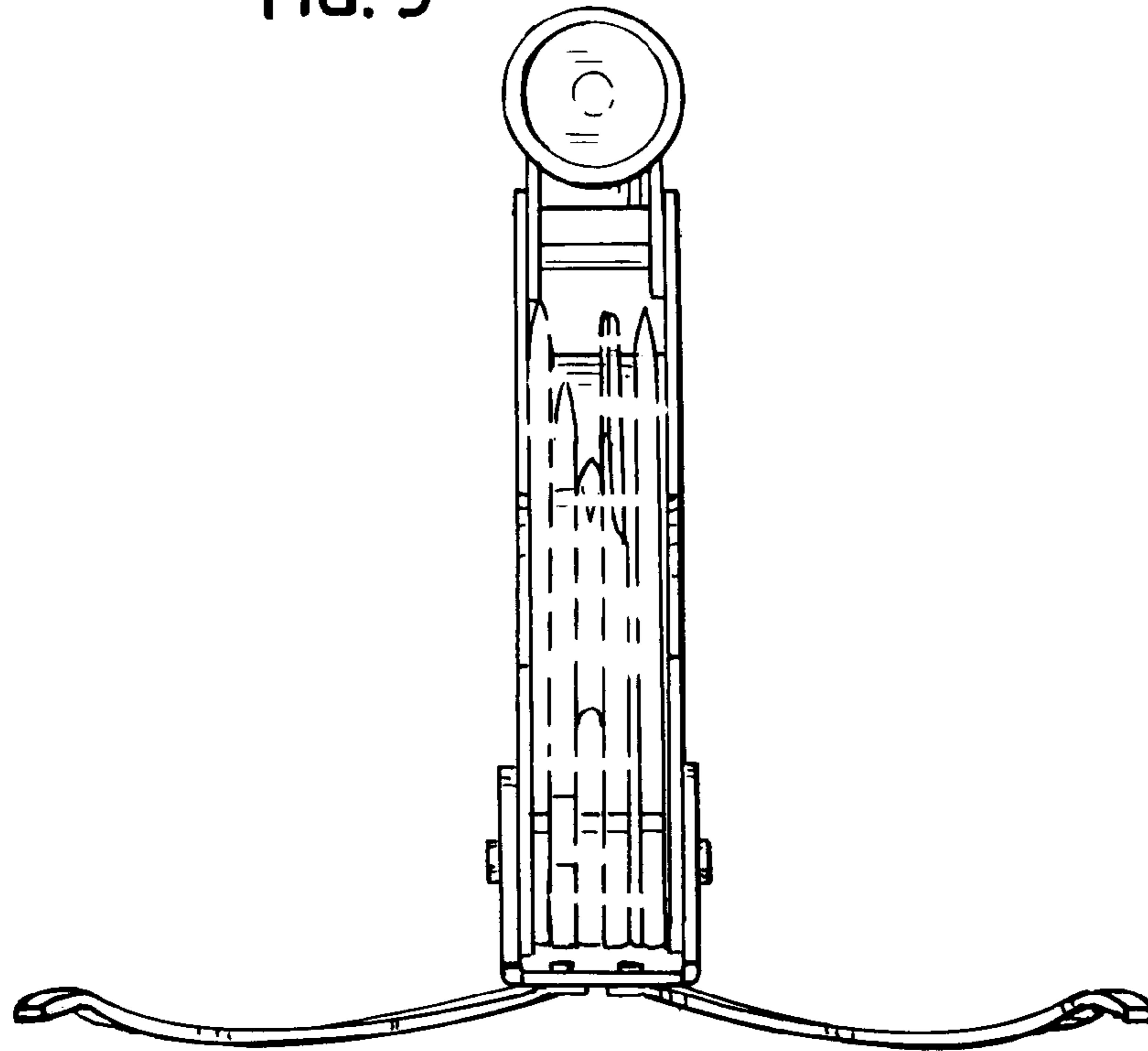


FIG. 6

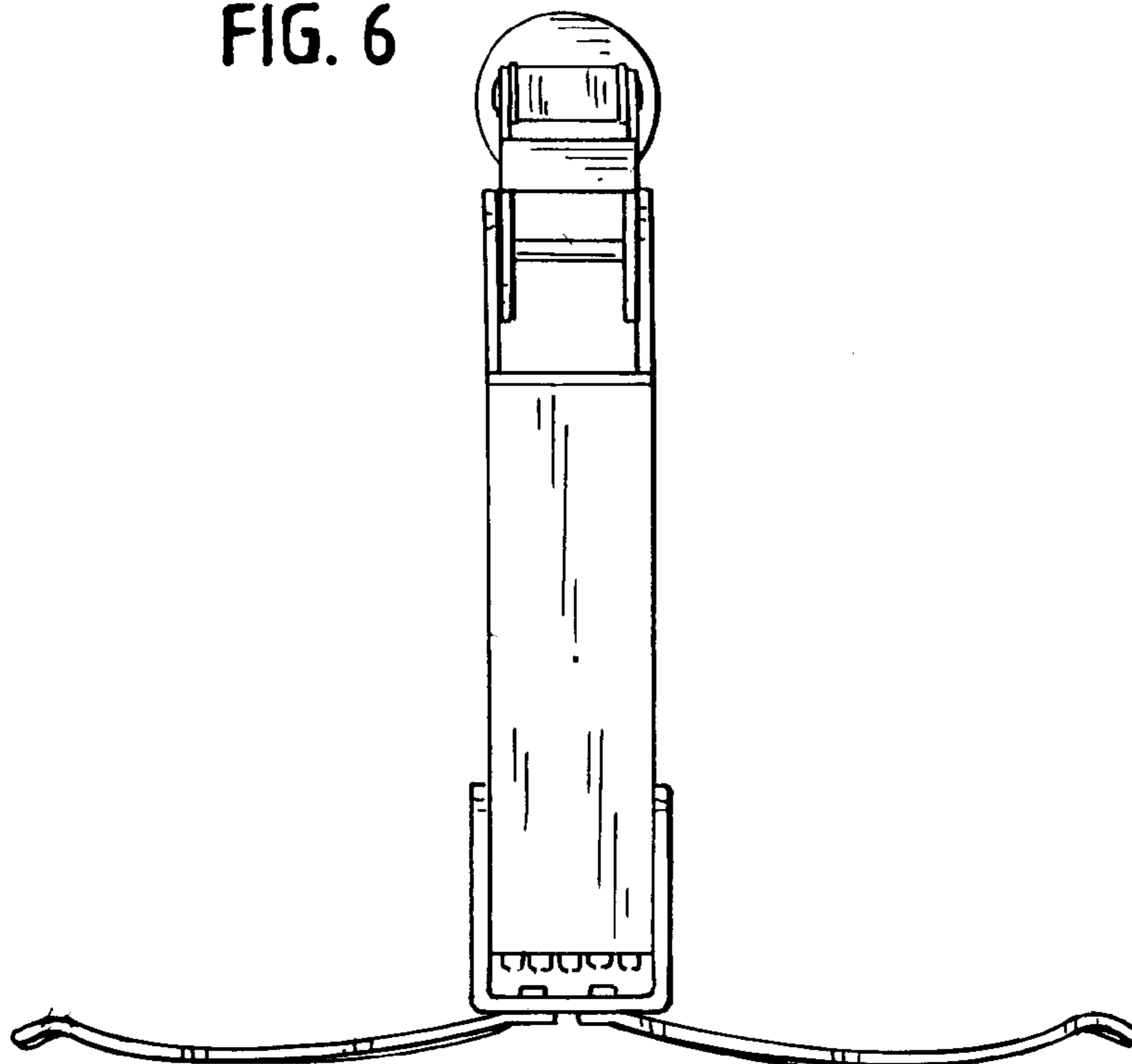


FIG. 7

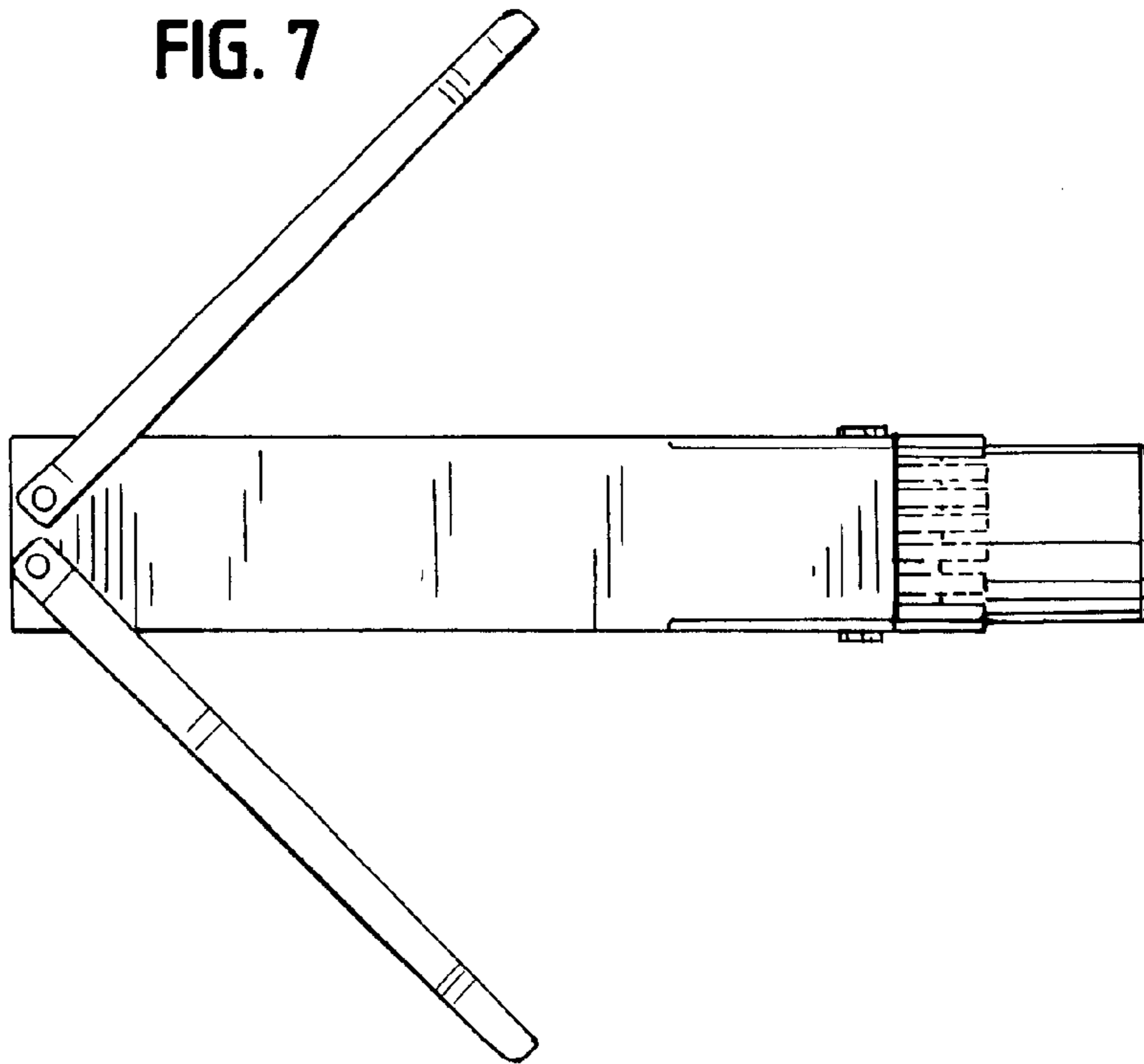


FIG. 8

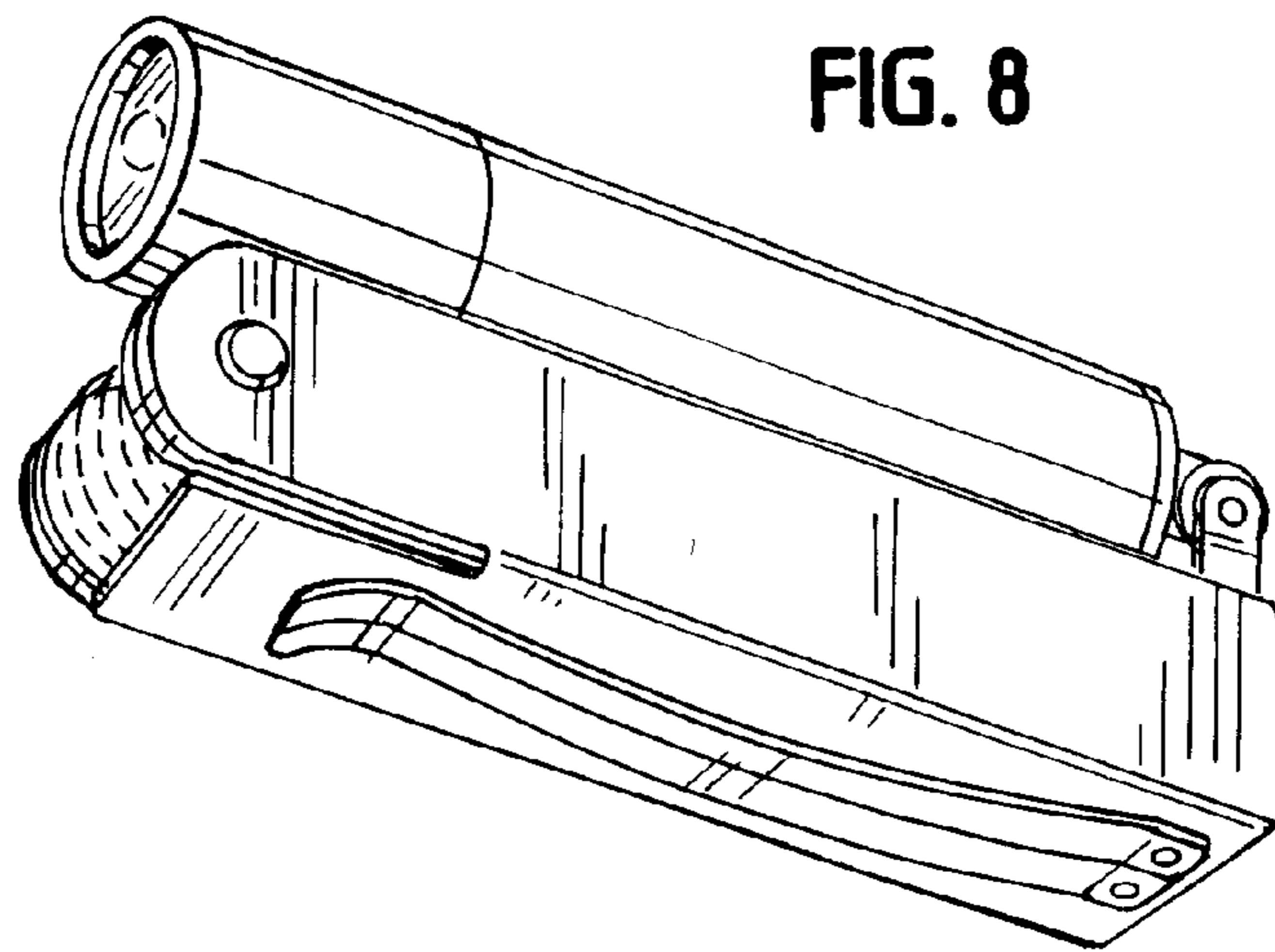


FIG. 9

