

US00D524957S

(12) **United States Design Patent**  
**Lobert et al.**

(10) **Patent No.:** **US D524,957 S**  
(45) **Date of Patent:** **\*\* Jul. 11, 2006**

- (54) **LIGHT**
- (75) Inventors: **Jonathan Paul Lobert**, Hartford, WI (US); **Scott David Schneider**, Waukesha, WI (US)
- (73) Assignee: **Milwaukee Electric Tool Company**, Brookfield, WI (US)
- (\*\*) Term: **14 Years**
- (21) Appl. No.: **29/212,628**
- (22) Filed: **Sep. 3, 2004**
- (51) **LOC (8) Cl.** ..... **26-06**
- (52) **U.S. Cl.** ..... **D26/28**
- (58) **Field of Classification Search** ..... D26/28-36; 362/459-468, 473-476, 485-487  
See application file for complete search history.

D372,319 S 7/1996 Carbone  
5,541,822 A 7/1996 Bamber

(Continued)

**FOREIGN PATENT DOCUMENTS**

DE 8521614 1/1986

**OTHER PUBLICATIONS**

Makita 1992 Catalog, p. 14, showing Model ML700 incandescent flashlight.  
SKIL Power Tool & Accessory Catalog, p. 61, available prior to Sep. 3, 2004, showing a Model HD2940:71 worklight.  
DeWalt Product Specifications Document, available prior to Sep. 3, 2004, showing a Model DW902 cordless flashlight.

*Primary Examiner*—Marcus A. Jackson  
(74) *Attorney, Agent, or Firm*—Michael Best & Friedrich LLP

(56) **References Cited**  
U.S. PATENT DOCUMENTS

2,517,882 A	8/1950	Johnson
2,525,588 A	10/1950	Cameron et al.
2,822,615 A	2/1958	Durst et al.
4,160,857 A	7/1979	Nardella et al.
D266,704 S	10/1982	Frezzolini et al.
4,447,863 A	5/1984	Fenne
4,654,764 A	3/1987	Hsiao
4,833,782 A	5/1989	Smith
D315,282 S	3/1991	Schmidt et al.
5,043,854 A	8/1991	Gammache
5,097,399 A	3/1992	Gammache
5,161,095 A	11/1992	Gammache
5,169,225 A	12/1992	Palm
D332,320 S	1/1993	Gammache
5,190,369 A	3/1993	Pace
5,213,412 A	5/1993	Ciallella
5,250,891 A	10/1993	Glasgow
5,255,168 A	10/1993	Stevens
5,278,739 A	1/1994	Gammache
5,294,874 A	3/1994	Hessenberger et al.
5,455,751 A	10/1995	Lynch et al.
D370,542 S	6/1996	Santarsiero

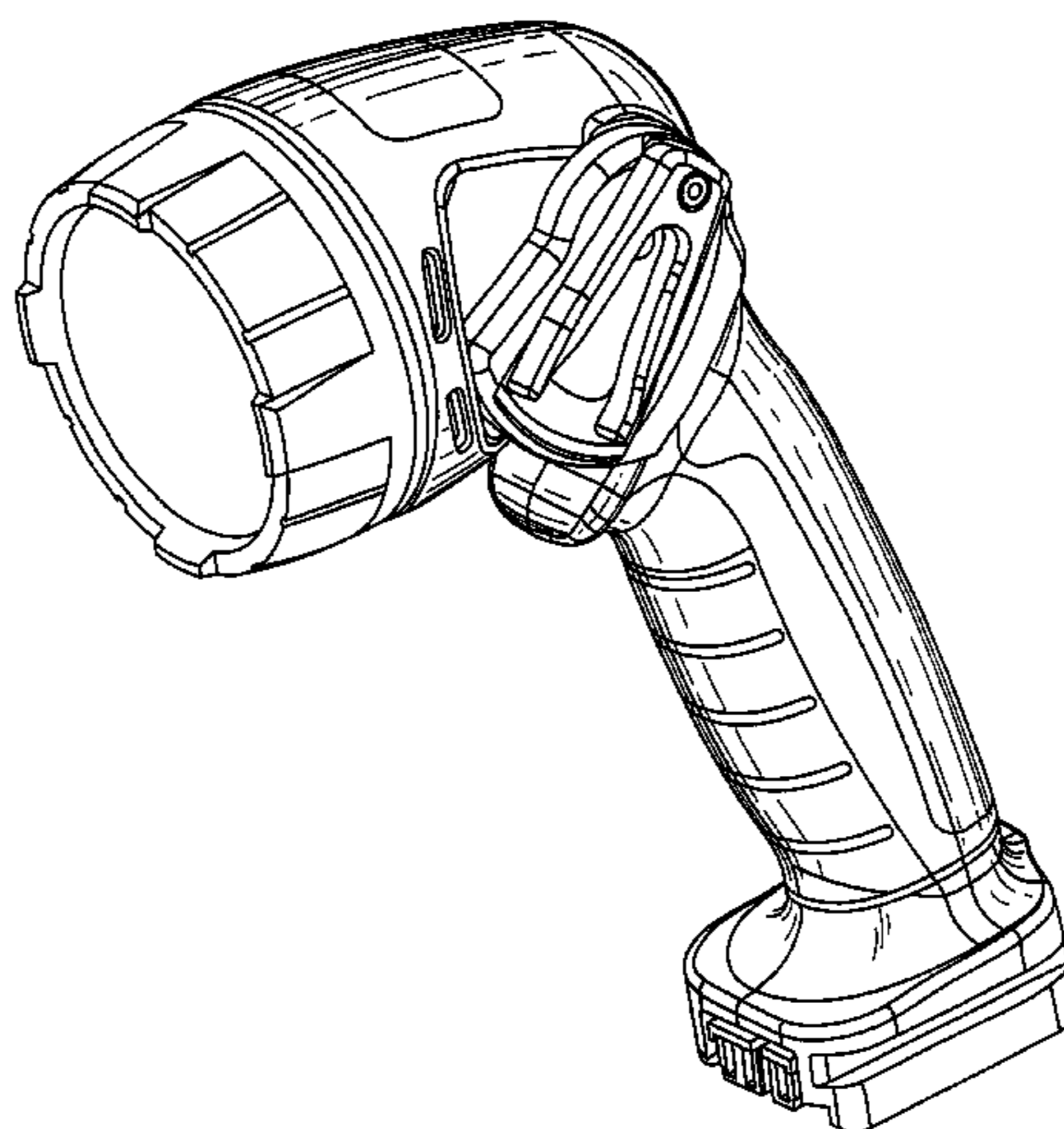
(57) **CLAIM**

We claim the ornamental design for a light, as shown and described.

**DESCRIPTION**

FIG. 1 is a front perspective view of a light.  
FIG. 2 is a front view of the light shown in FIG. 1.  
FIG. 3 is a rear perspective view of the light shown in FIG. 1.  
FIG. 4 is a rear view of the light shown in FIG. 1.  
FIG. 5 is a top view of the light shown in FIG. 1.  
FIG. 6 is a bottom view of the light shown in FIG. 1.  
FIG. 7 is a side view of the light shown in FIG. 1.  
FIG. 8 is a side view of the light shown in FIG. 1 and illustrating two orientations of the light; and,  
FIG. 9 is a front perspective view of another construction of a light and a bit holder.  
A description of the appearance of the article is as follows:  
The present application is directed to the shape and contour of the design illustrated in the drawings.

**1 Claim, 8 Drawing Sheets**



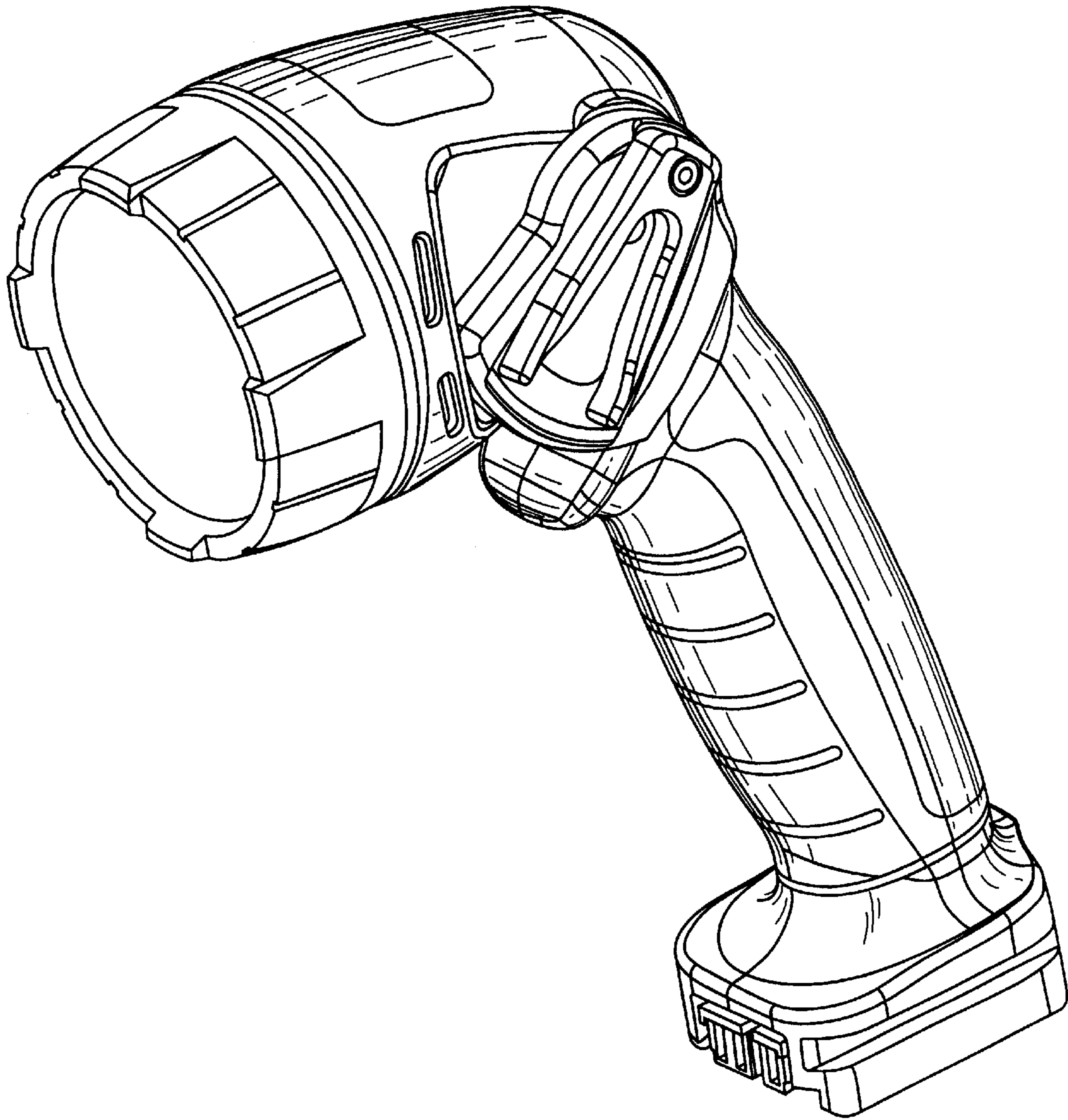
# US D524,957 S

Page 2

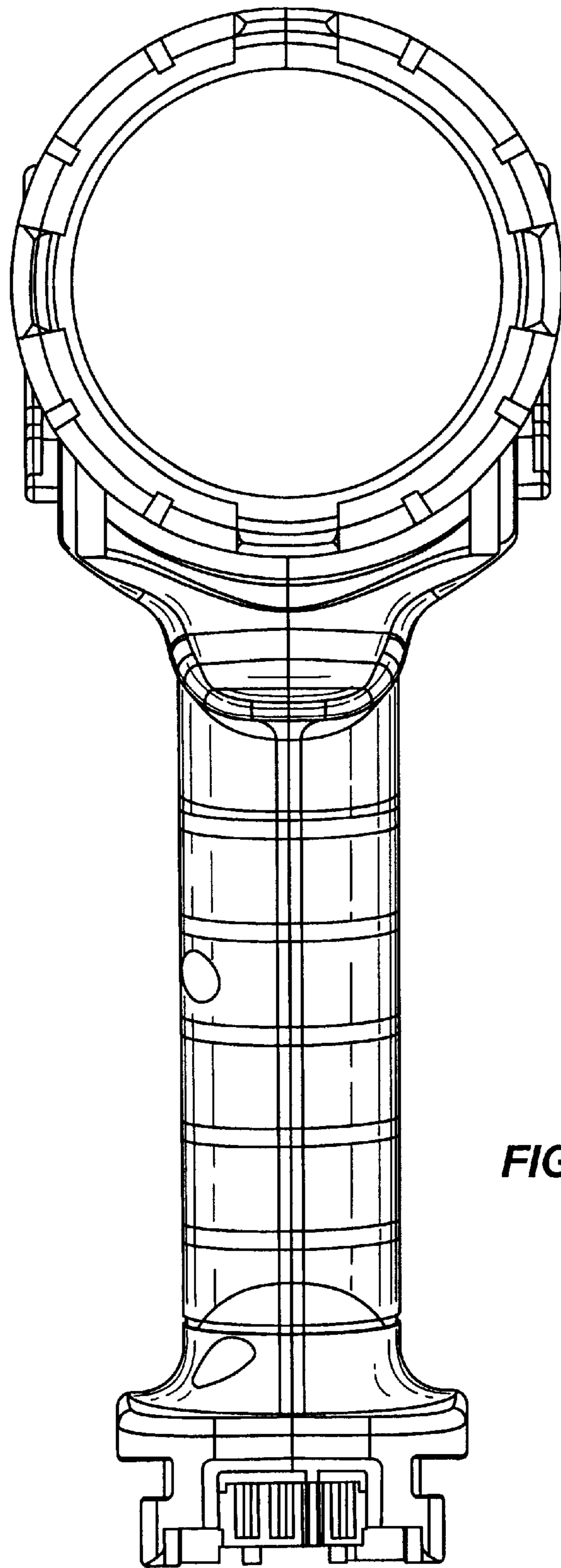
## U.S. PATENT DOCUMENTS

D373,210 S	8/1996	Santarsiero	D428,175 S	7/2000	Lynch et al.
D373,211 S	8/1996	Heun	D436,204 S	1/2001	Leen
D373,649 S	9/1996	Carbone	6,169,373 B1	1/2001	Riesinger
D375,570 S	11/1996	Hayakawa et al.	D438,316 S	2/2001	Etter
D375,811 S	11/1996	Hon	6,222,343 B1	4/2001	Crisp et al.
5,605,394 A	2/1997	Chen	6,227,677 B1	5/2001	Willis
5,637,035 A	6/1997	Yee	6,236,177 B1	5/2001	Zick et al.
D387,455 S	12/1997	Zurwelle	D444,582 S	7/2001	Poon
D388,201 S	12/1997	Zurwelle	D450,147 S	11/2001	Leen
D390,987 S	2/1998	Zurwelle	D451,222 S	11/2001	Poon
D392,759 S	3/1998	Howard et al.	D454,040 S	3/2002	Wadsworth
D398,410 S	9/1998	Fell et al.	6,364,580 B1	4/2002	Dils et al.
5,853,241 A	12/1998	Sharrah et al.	6,456,035 B1	9/2002	Crisp et al.
D404,839 S	1/1999	Petterson et al.	6,457,841 B1	10/2002	Lynch et al.
D405,204 S	2/1999	McAdams et al.	D467,375 S	12/2002	Lynch et al.
D405,552 S	2/1999	Howard et al.	6,502,949 B1	1/2003	Horiyama et al.
D406,372 S	3/1999	Matthes et al.	6,605,926 B1	8/2003	Crisp et al.
D406,374 S	3/1999	Porter	D483,888 S	* 12/2003	Pokorny et al. .... D26/28
D410,293 S	5/1999	Prince	D485,382 S	1/2004	Palm
D413,994 S	9/1999	Clowers et al.	D489,144 S	* 4/2004	Dalton, Jr. .... D26/28
5,988,828 A	11/1999	Prince et al.	D498,549 S	* 11/2004	Campagna .... D26/28
D422,730 S	4/2000	Byler et al.	6,847,146 B1	1/2005	Hessenberger et al.
D427,346 S	6/2000	Schoen	D509,919 S	* 9/2005	Durgan et al. .... D26/28
D427,697 S	7/2000	Brazell et al.	2002/0054491 A1	5/2002	Casas

\* cited by examiner



**FIG. 1**



**FIG. 2**

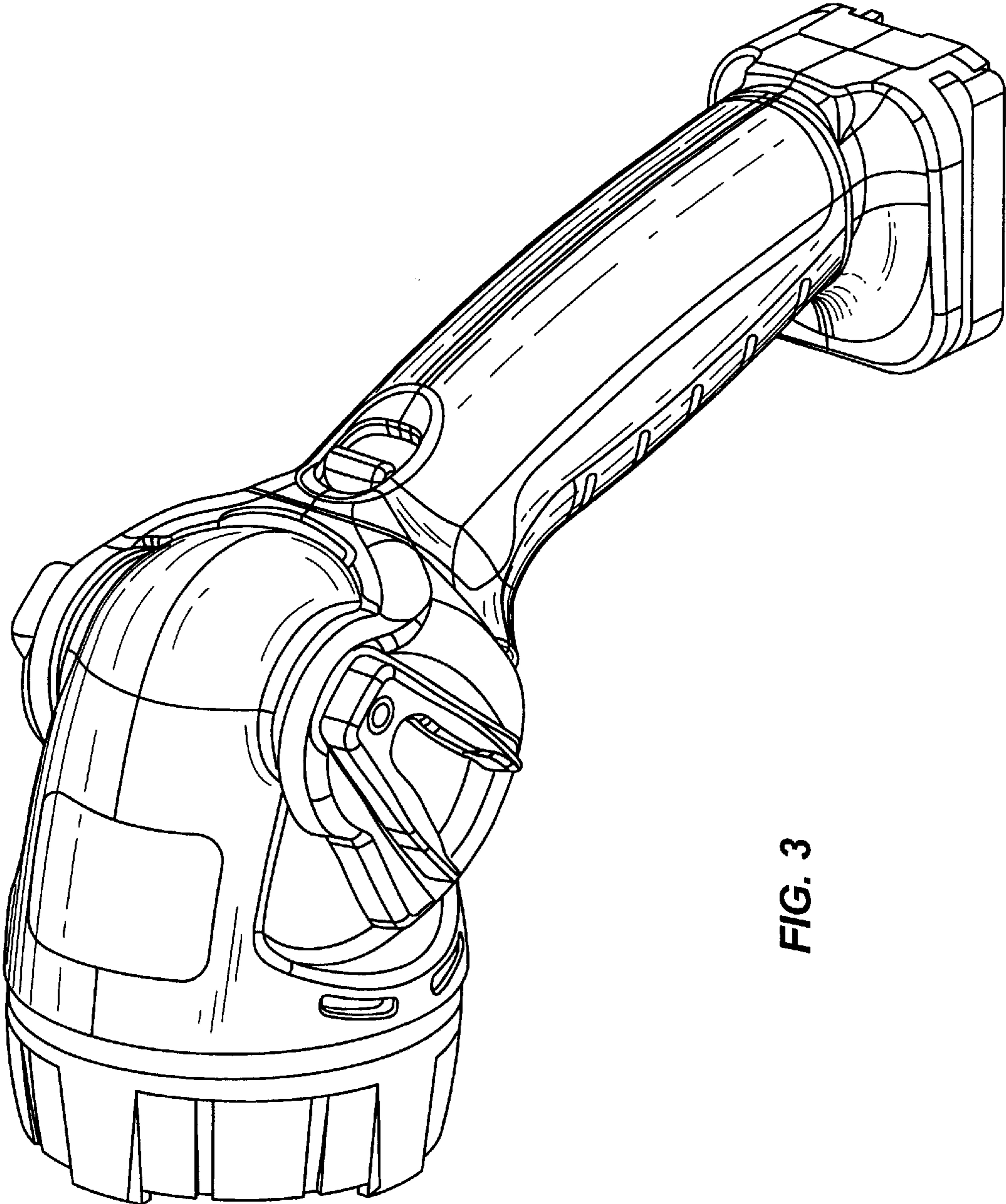
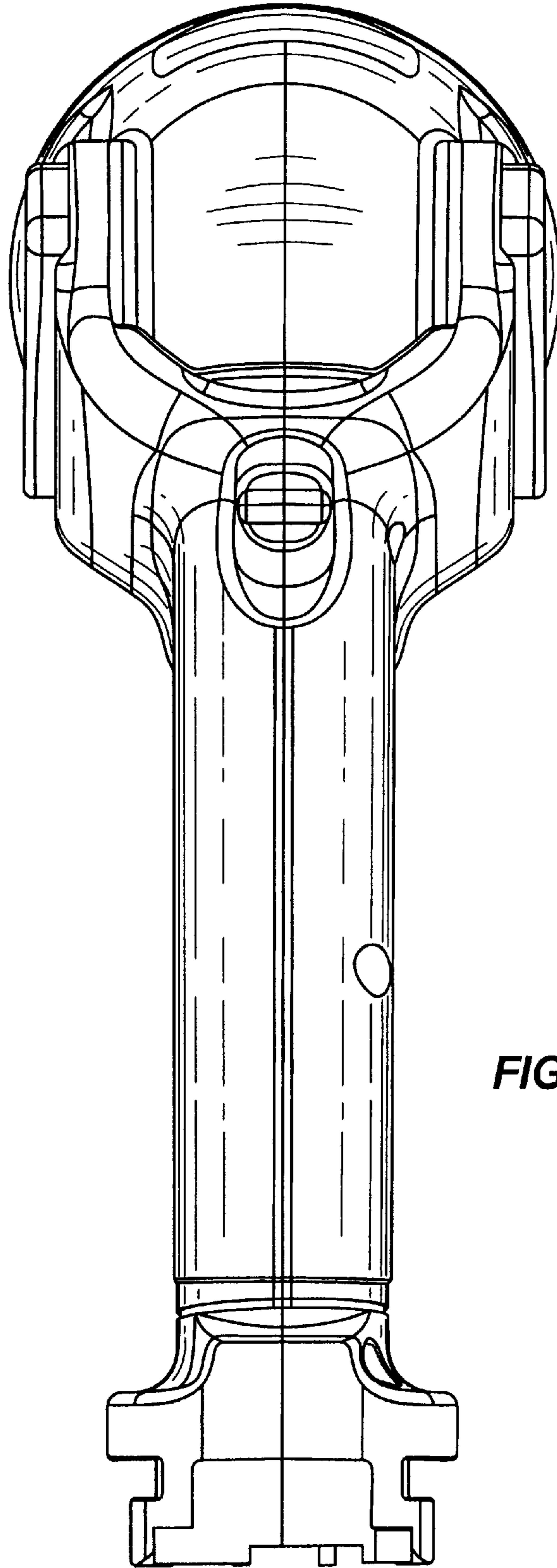


FIG. 3



**FIG. 4**

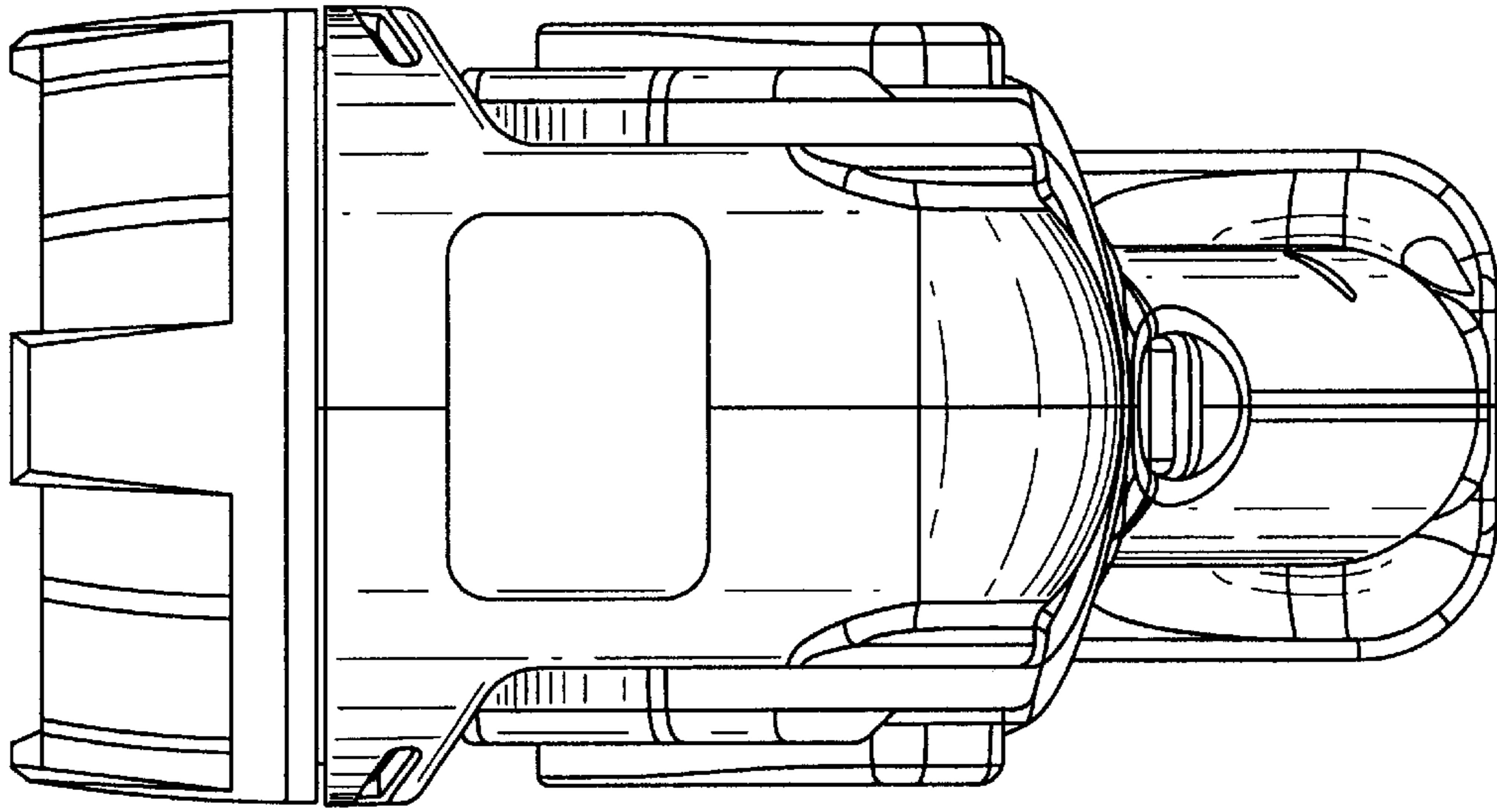


FIG. 5

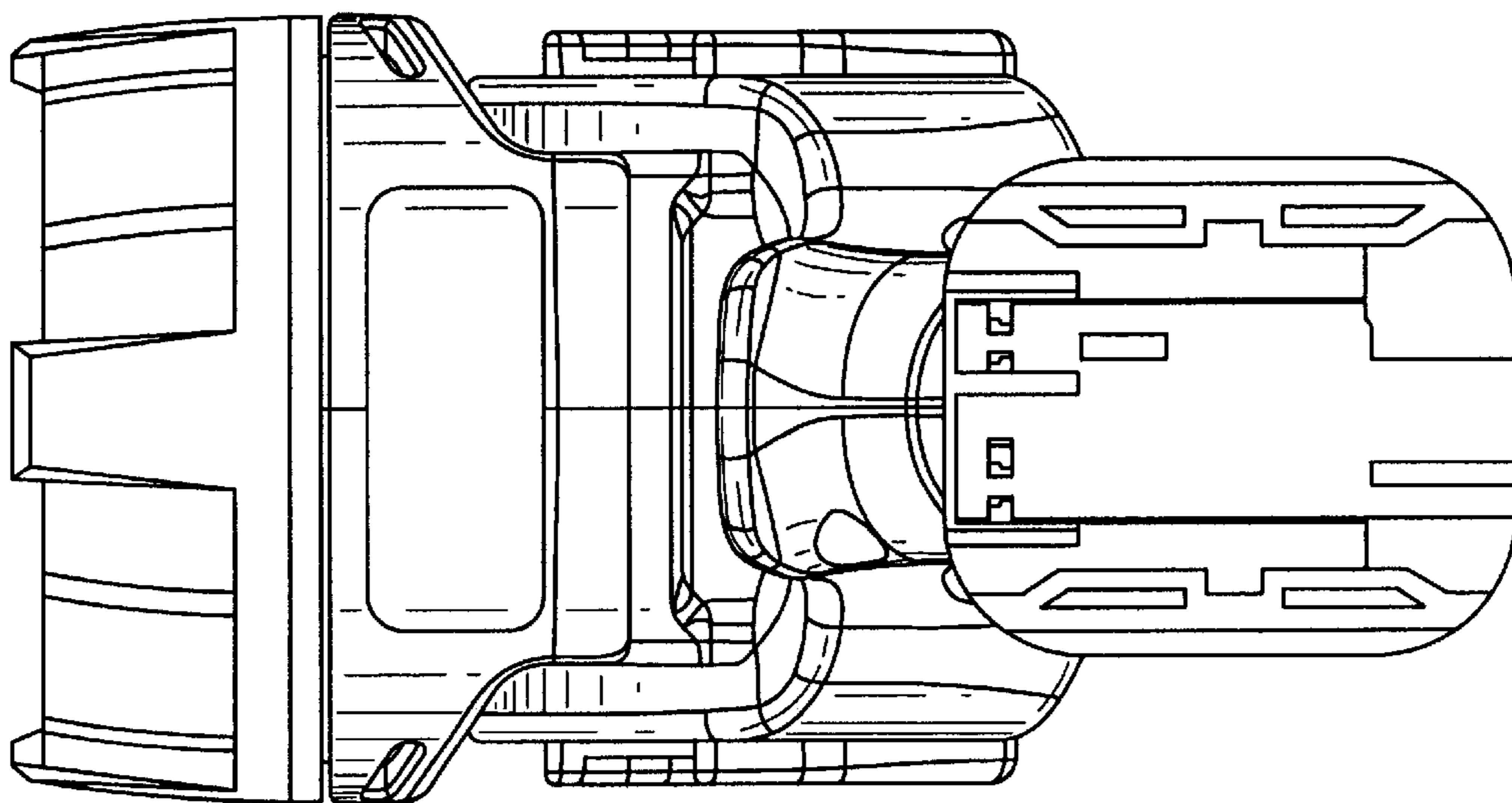
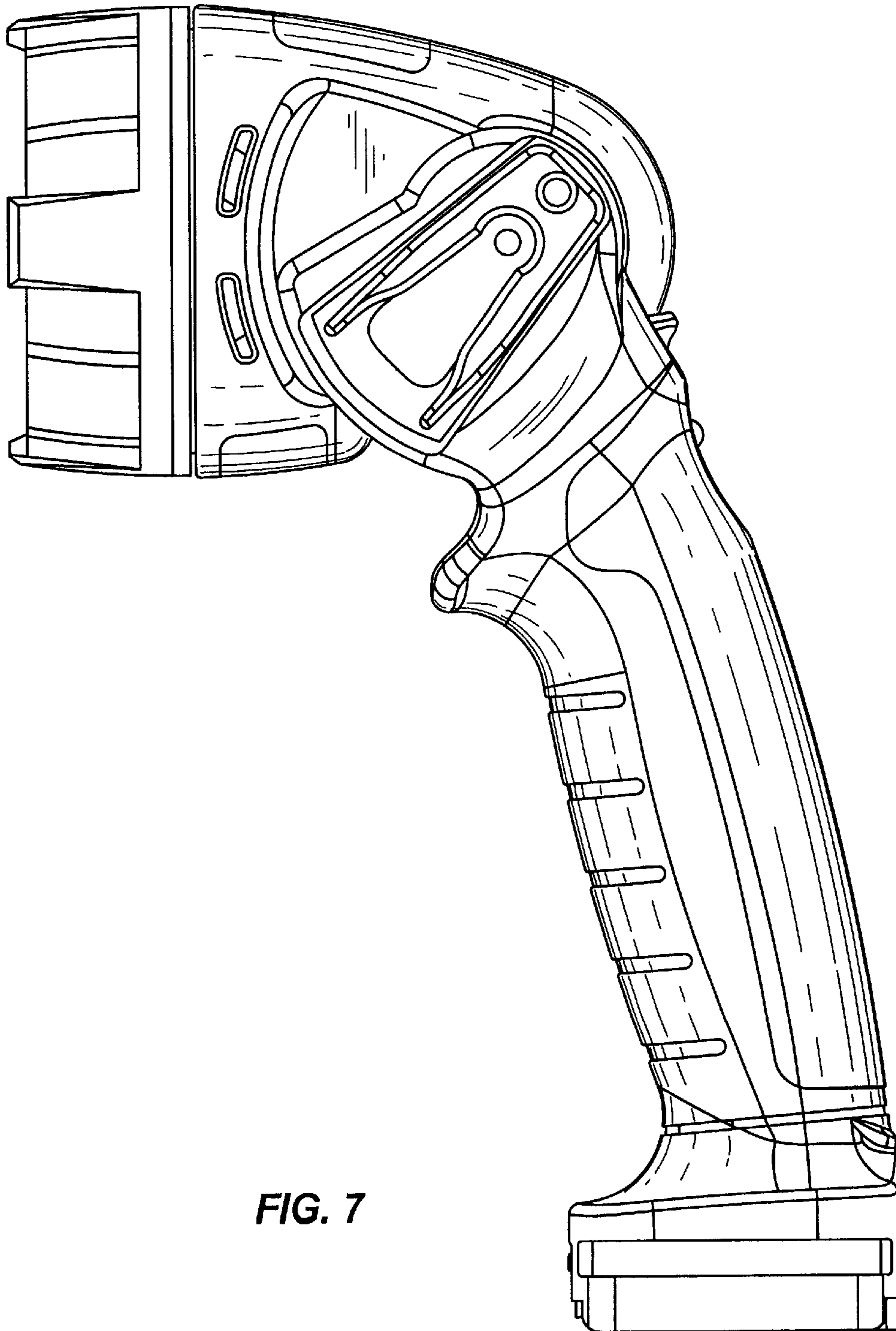
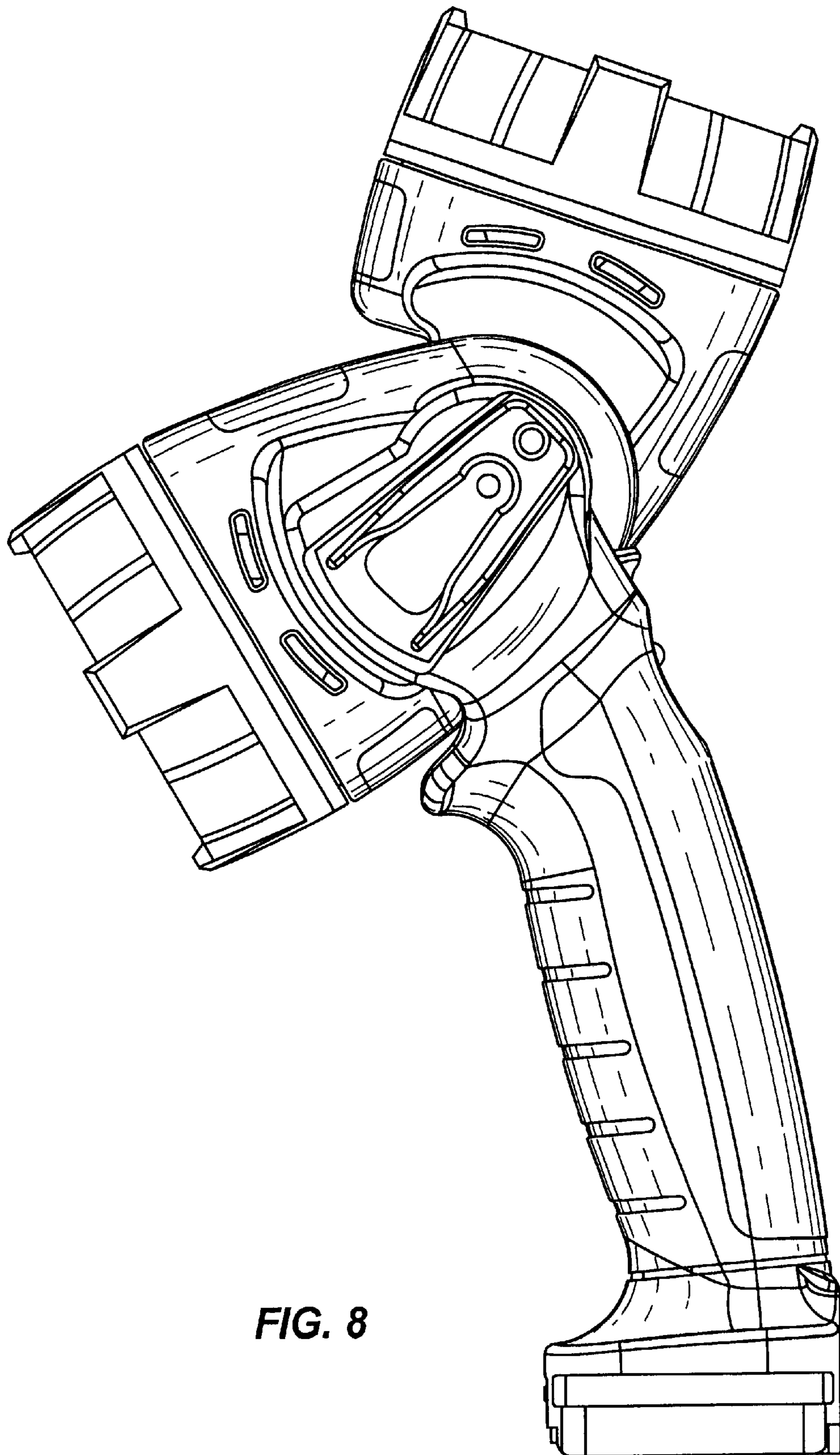


FIG. 6

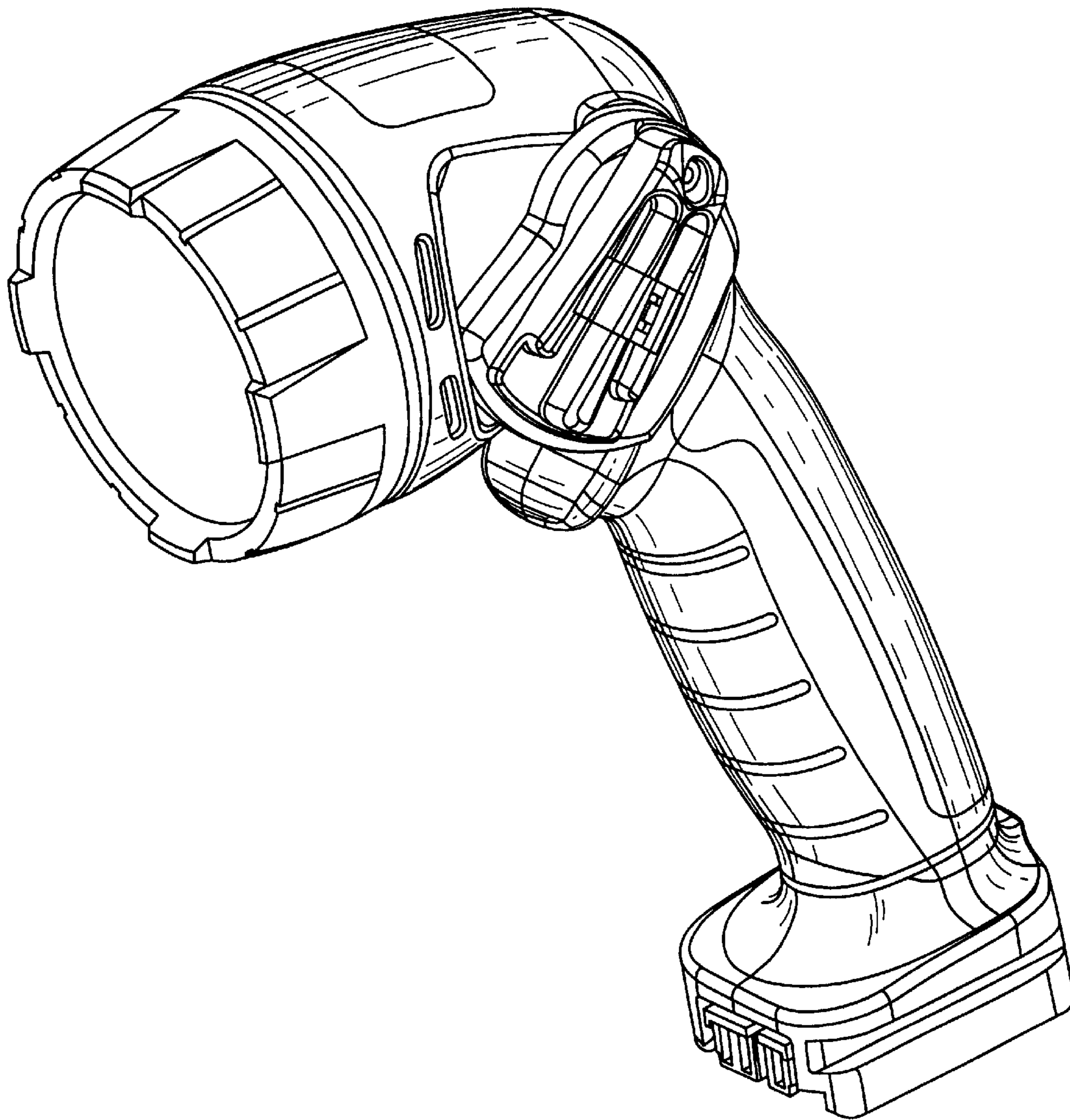


**FIG. 7**





**FIG. 8**



**FIG. 9**

UNITED STATES PATENT AND TRADEMARK OFFICE  
**CERTIFICATE OF CORRECTION**

PATENT NO. : Des. 524,957 S  
APPLICATION NO. : 29/212628  
DATED : July 11, 2006  
INVENTOR(S) : Jonathan Paul Lobert and Scott David Schneider

Page 1 of 1

It is certified that error appears in the above-identified patent and that said Letters Patent is hereby corrected as shown below:

On Title Page

Item [73] Assignee: Milwaukee Electric Tool

delete "Company"

insert --Corporation--, Brookfield, WI (US)

Signed and Sealed this

Second Day of October, 2007

A handwritten signature in black ink on a light gray dotted background. The signature reads "Jon W. Dudas" in a cursive style.

JON W. DUDAS

*Director of the United States Patent and Trademark Office*