



US00D524955S

(12) **United States Design Patent**
Kim

(10) **Patent No.:** **US D524,955 S**

(45) **Date of Patent:** **** Jul. 11, 2006**

(54) **COMPACT FLUORESCENT LAMP**

(75) Inventor: **Jong-Hwooi Kim**, Seoul (KR)

(73) Assignee: **Su Sung Industrial Company, Ltd.**,
Seoul (KR)

(**) Term: **14 Years**

(21) Appl. No.: **29/226,662**

(22) Filed: **Apr. 1, 2005**

(51) **LOC (8) Cl.** **26-04**

(52) **U.S. Cl.** **D26/3**

(58) **Field of Classification Search** D26/1-4;
313/313, 315, 317, 318, 493; 315/52, 53,
315/56, 57, 58

See application file for complete search history.

(56) **References Cited**

U.S. PATENT DOCUMENTS

D432,686 S	*	10/2000	Camarota et al.	D26/3
D437,946 S	*	2/2001	Choi	D26/3
D493,546 S		7/2004	Kim		
D493,547 S		7/2004	Kim		
D493,898 S		8/2004	Kim		
D494,289 S	*	8/2004	Kim	D26/3

OTHER PUBLICATIONS

U.S. Appl. No. 29/226,664 to Kim, filed Apr. 1, 2005.

U.S. Appl. No. 29/226,663 to Kim, filed Apr. 1, 2005.

* cited by examiner

Primary Examiner—Marcus A. Jackson

(74) *Attorney, Agent, or Firm*—Greenblum & Bernstein,
P.L.C.

(57) **CLAIM**

I claim the ornamental design for a compact fluorescent lamp, as shown and described.

DESCRIPTION

The compact fluorescent lamp of the present design includes a spiral fluorescent tube, a base or housing which supports the spiral fluorescent tube from the top thereof, and a socket provided on the upper portion of the base or housing. The base or housing of the compact fluorescent lamp of the present design may be formed of any suitable material such as, for example, plastic. The socket of the compact fluorescent lamp of the present design may be formed of any suitable material such as, for example, metal.

FIG. 1 is a front elevational view of an embodiment of a compact fluorescent lamp, showing my new design;

FIG. 2 is a rear elevational view of the embodiment of FIG. 1;

FIG. 3 is a left side elevational view of the embodiment of FIG. 1;

FIG. 4 is a right side elevational view of the embodiment of FIG. 1;

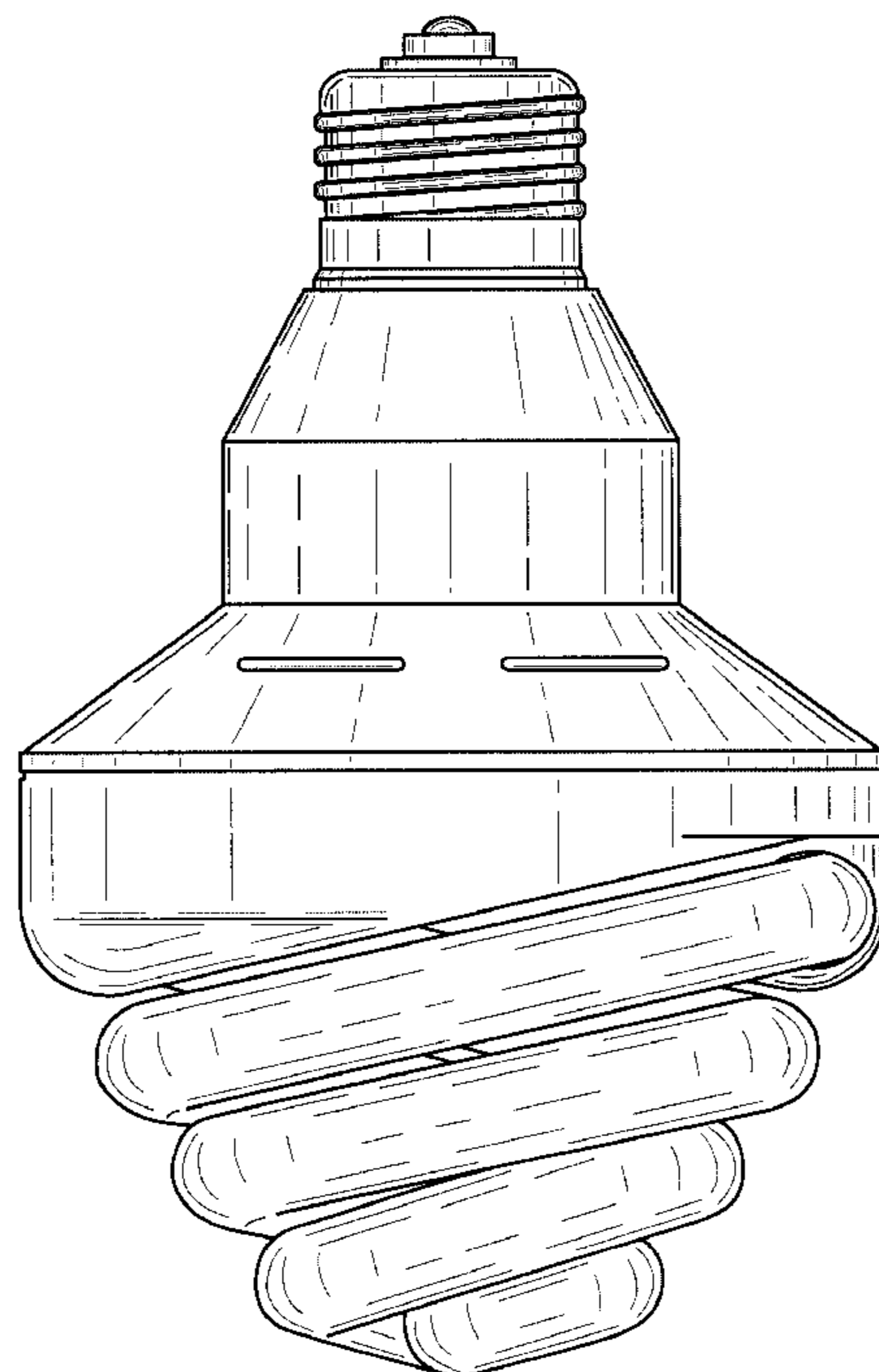
FIG. 5 is bottom plan view of the embodiment of FIG. 1;

FIG. 6 is a top plan view of the embodiment of FIG. 1;

FIG. 7 is perspective view of the embodiment of FIG. 1; and,

FIG. 8 is a cross sectional view of the embodiment of FIG. 1.

1 Claim, 7 Drawing Sheets



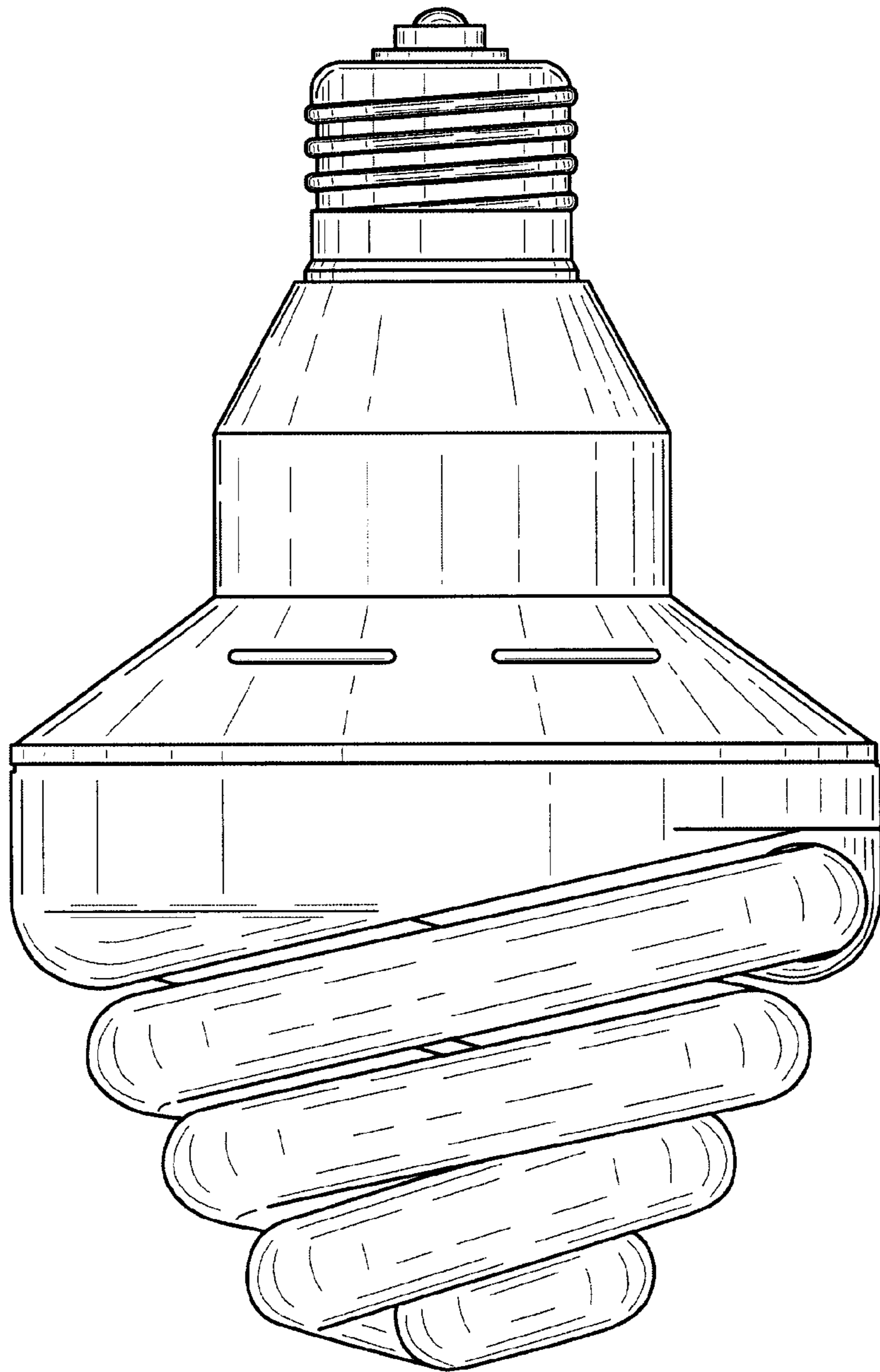


FIG. 1

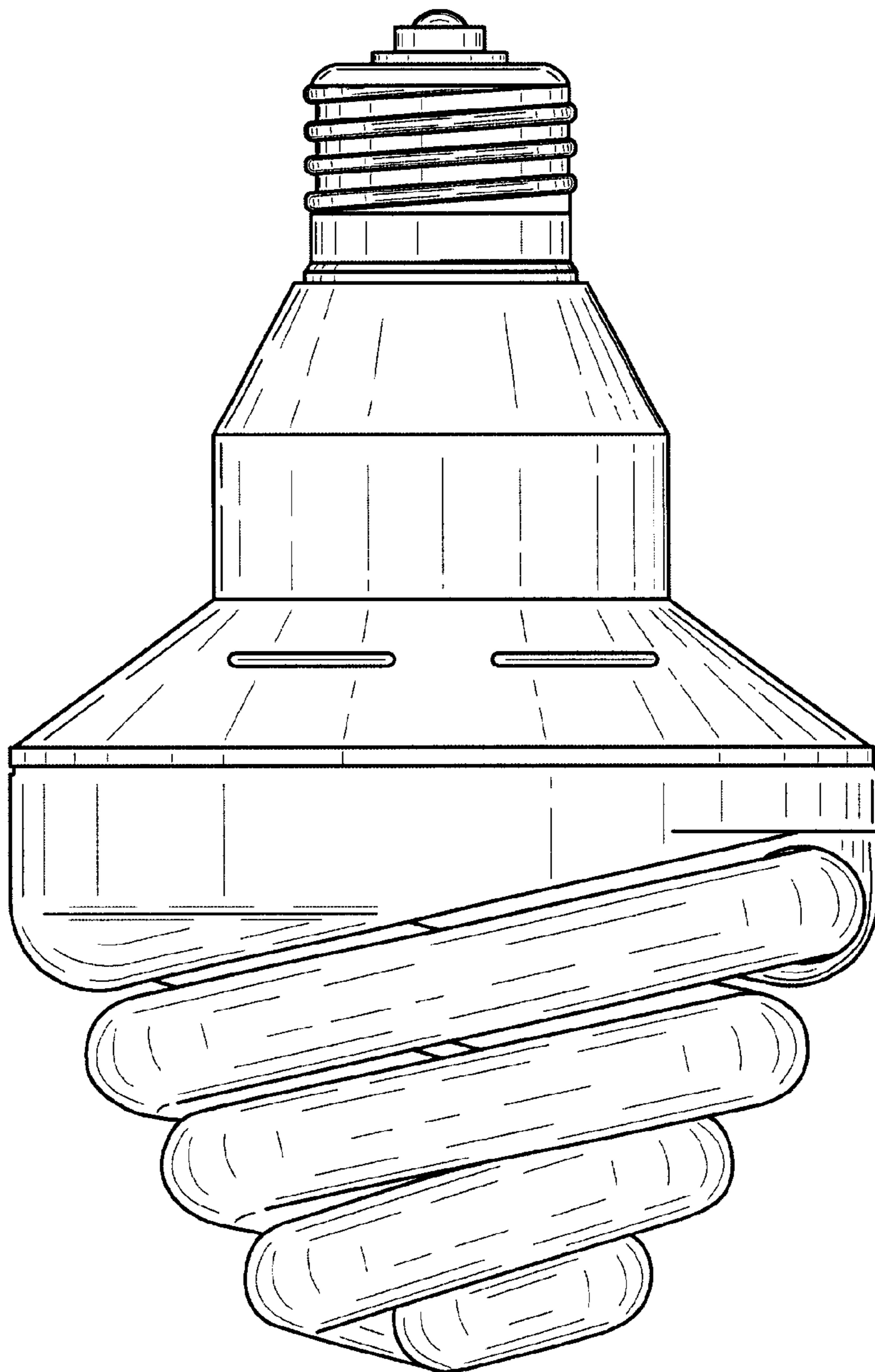


FIG. 2

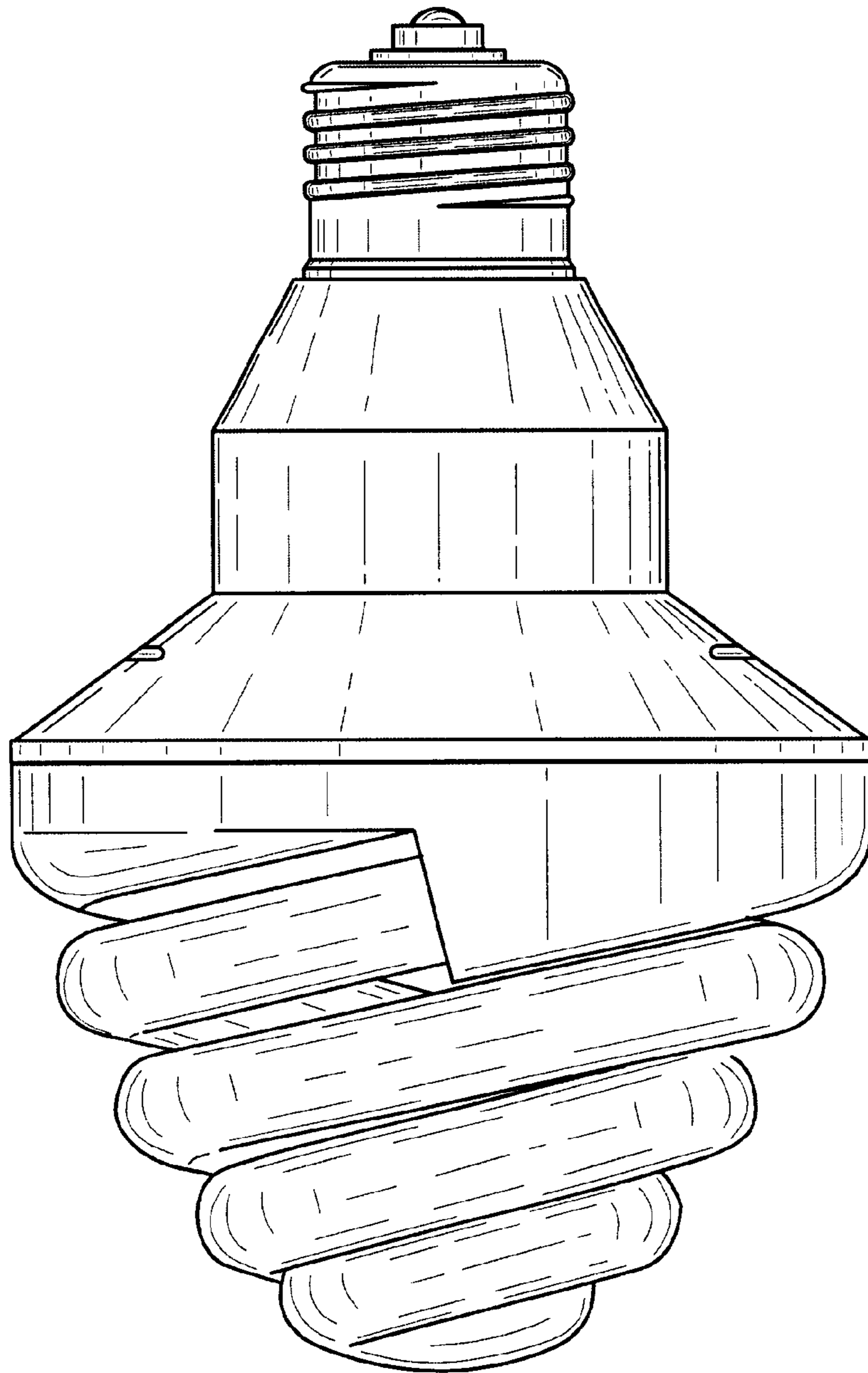


FIG. 3

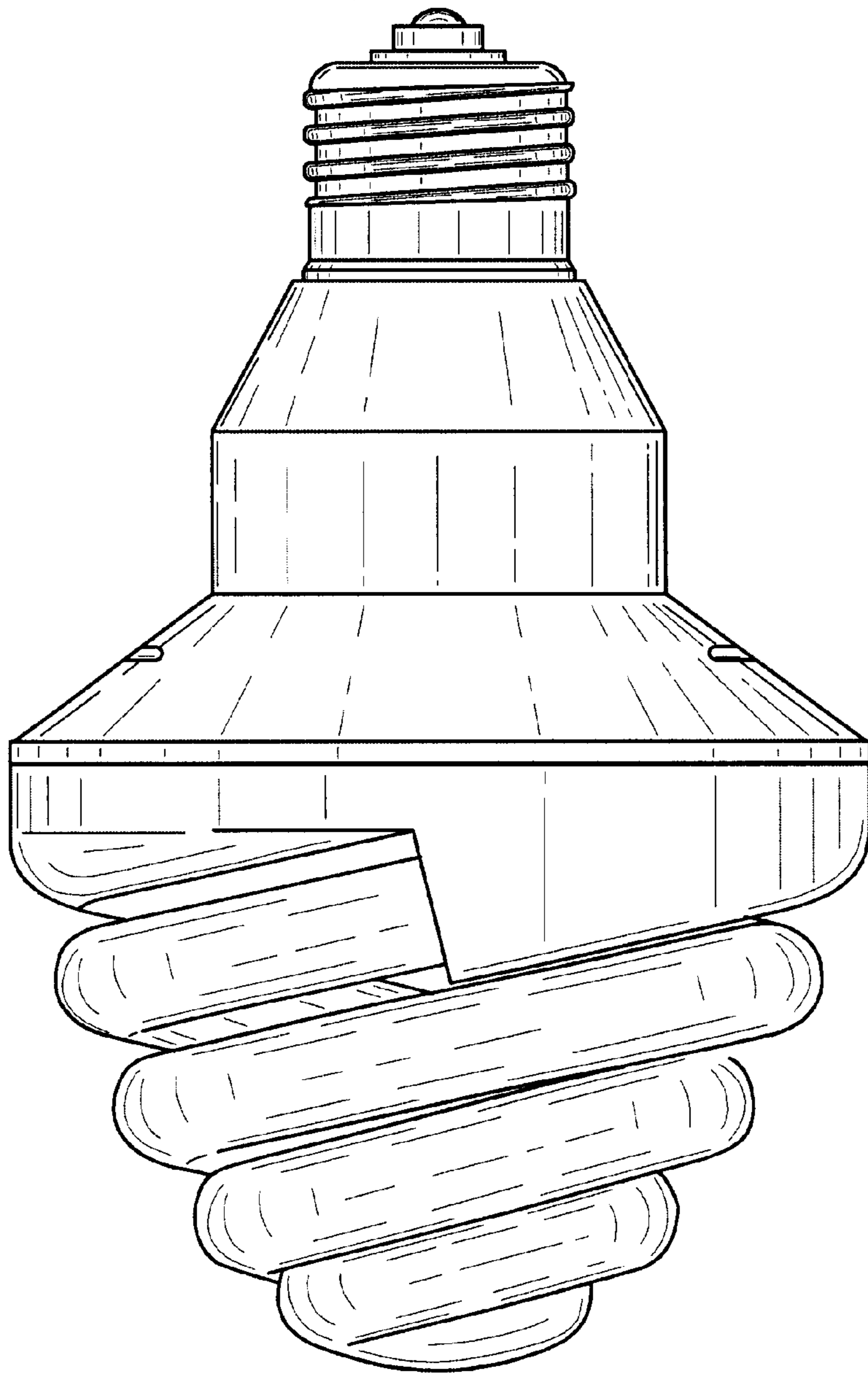


FIG. 4

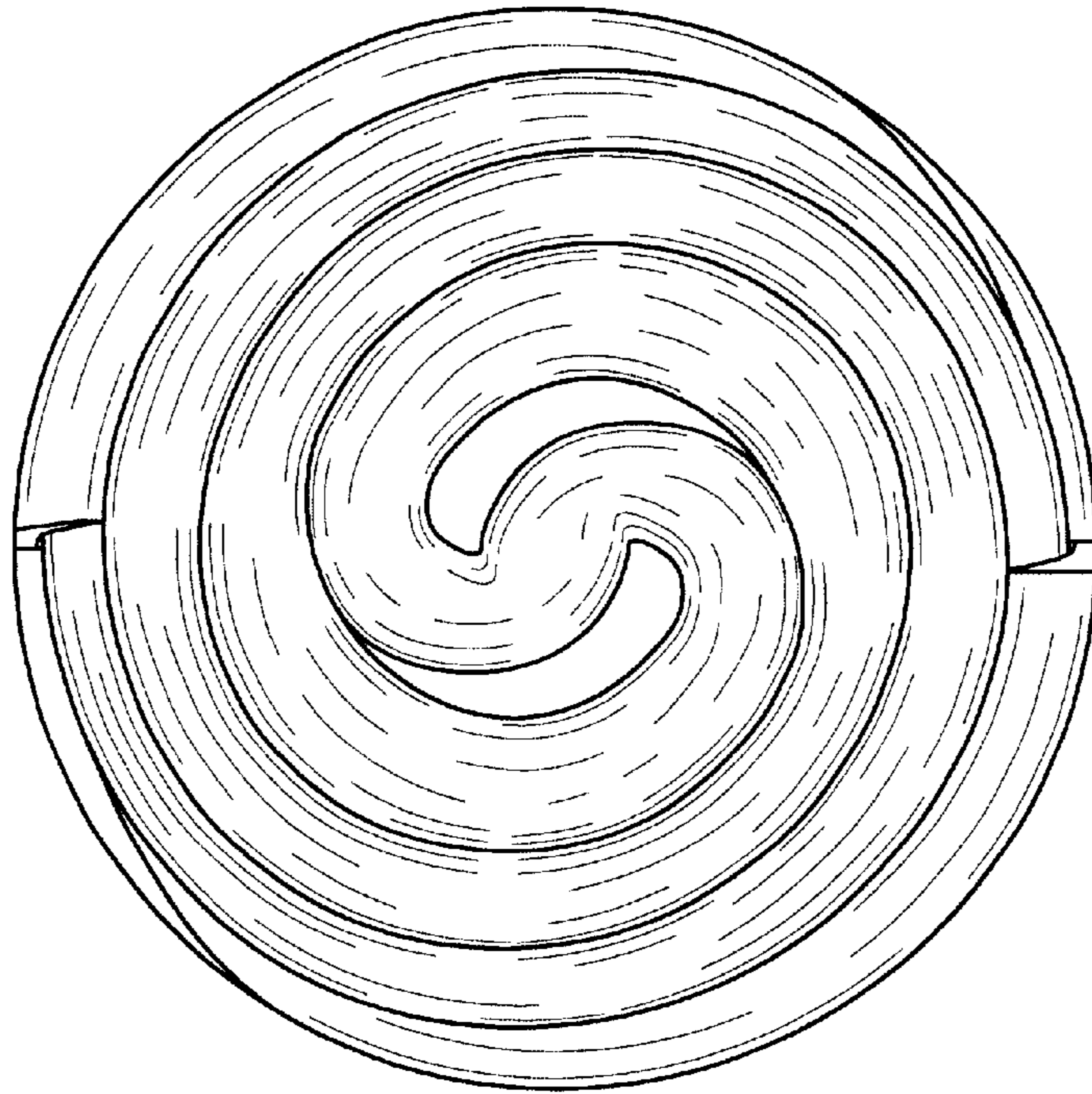


FIG. 5

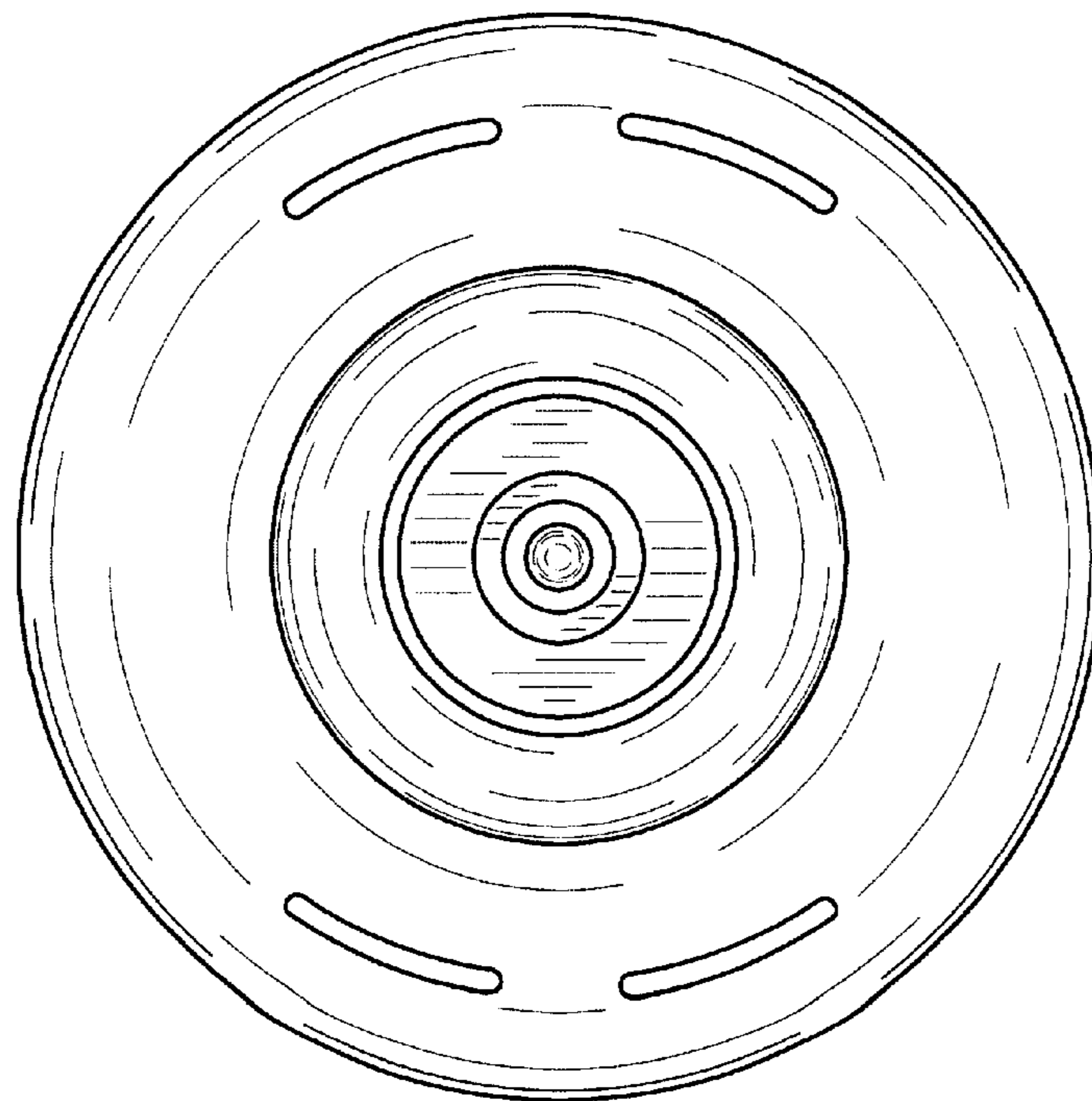


FIG. 6

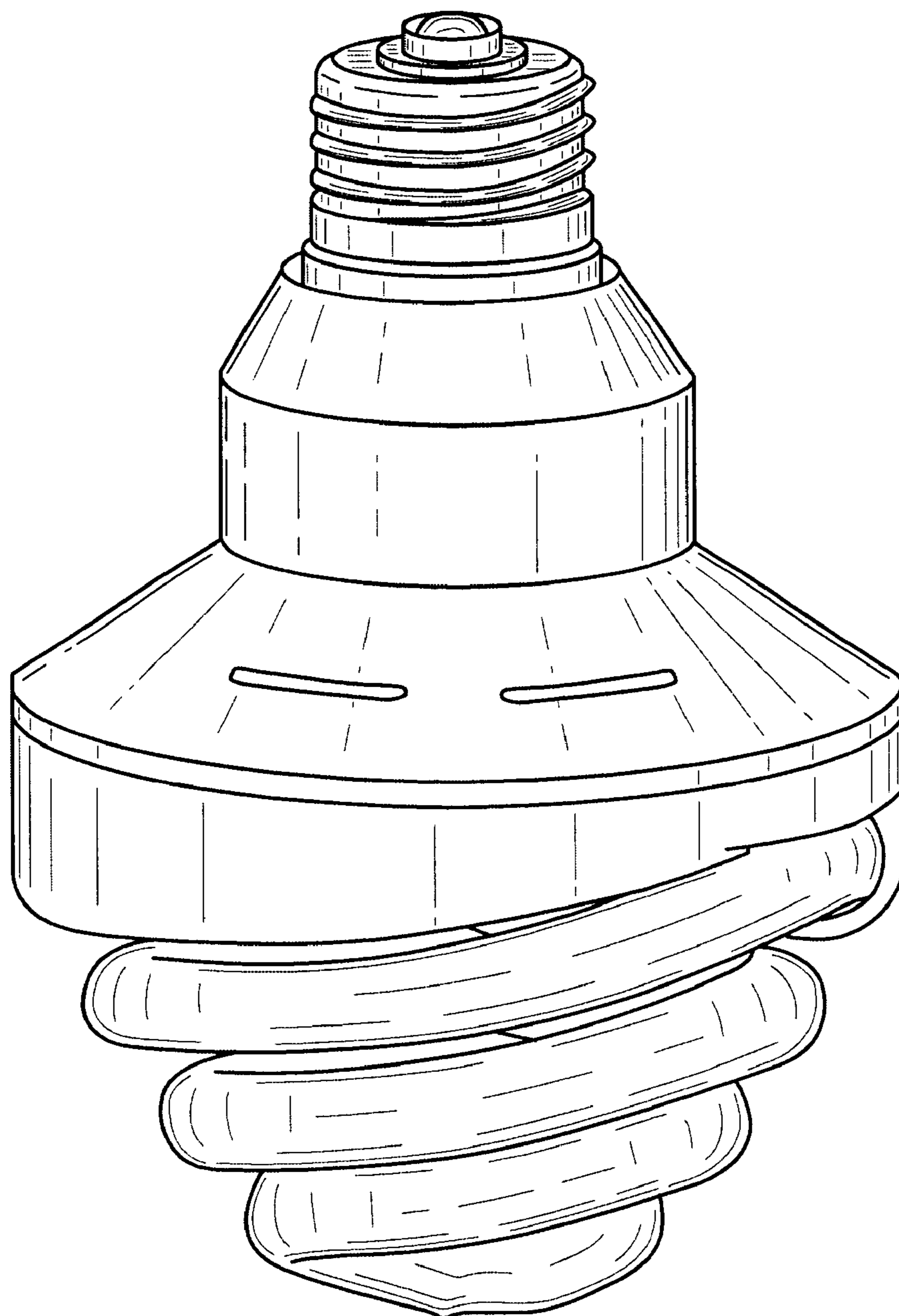


FIG. 7

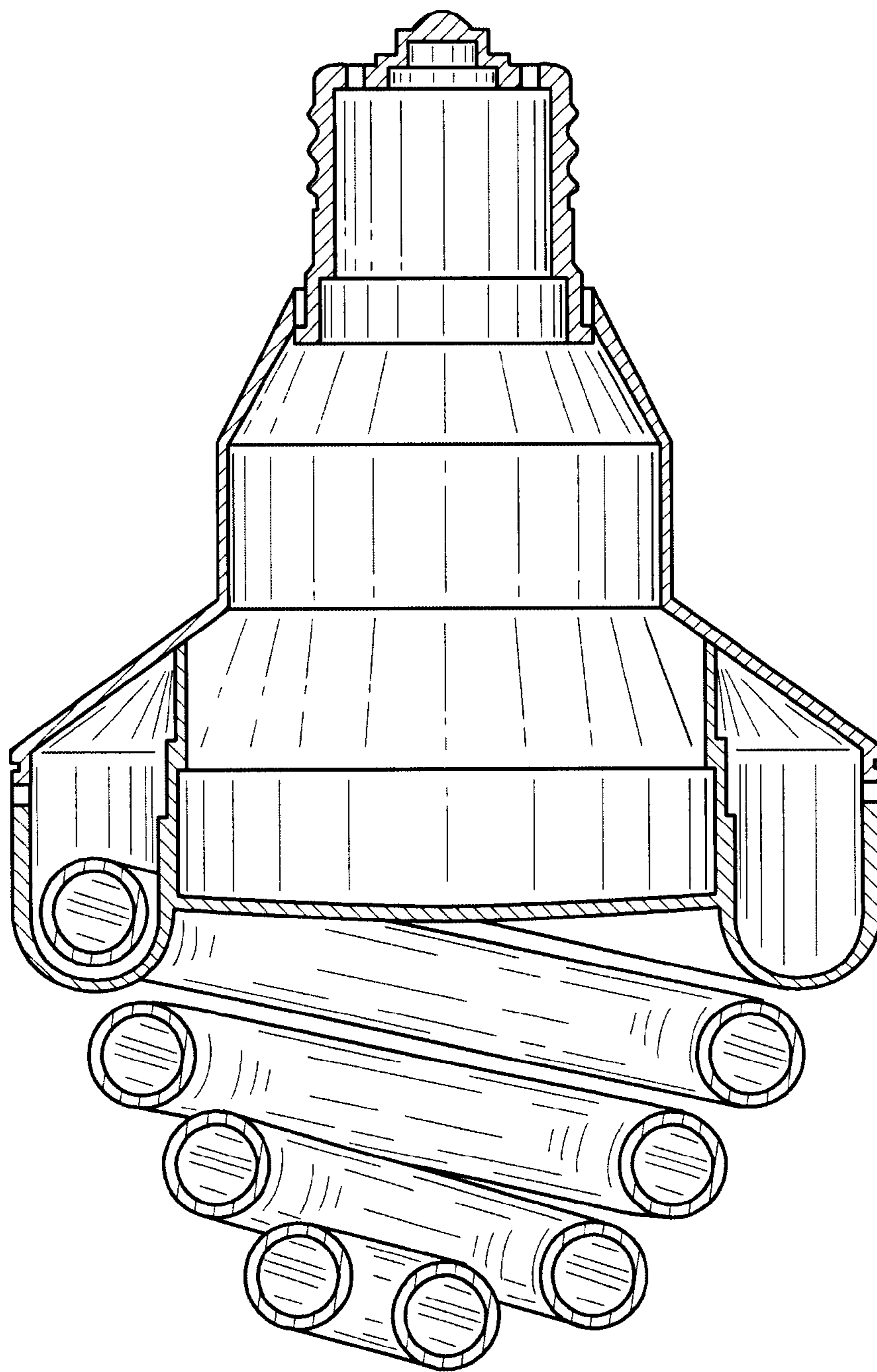


FIG. 8