



US00D524954S

(12) **United States Design Patent**
Hawass

(10) **Patent No.:** **US D524,954 S**
(45) **Date of Patent:** **** Jul. 11, 2006**

(54) **LONG STEM, ELECTRIC SOCKET TEA LIGHT CANDLE ADAPTER**

(76) Inventor: **Nour-El-Din Hawass**, 4 Lady Slipper Drive, Halifax, Nova Scotia (CA), B3M 3R5

(**) Term: **14 Years**

(21) Appl. No.: **29/239,199**

(22) Filed: **Sep. 28, 2005**

(51) **LOC (8) Cl.** **26-04**

(52) **U.S. Cl.** **D26/2**

(58) **Field of Classification Search** D26/1-4;
313/313, 315, 317, 318, 493; 315/52, 53,
315/56, 57, 58

See application file for complete search history.

(56) **References Cited**

U.S. PATENT DOCUMENTS

2,520,691	A	8/1950	Otis	
2,569,078	A	9/1951	Silver et al.	
3,855,464	A	12/1974	Angelo	
5,482,456	A	1/1996	Jwayad et al.	
D415,295	S	10/1999	Kochis et al.	
D420,155	S	* 2/2000	Kato et al.	D26/2
D464,446	S	10/2002	Tsai	
D468,845	S	* 1/2003	Bobel	D26/2
D506,840	S	* 6/2005	Van de Ven et al.	D26/2

* cited by examiner

Primary Examiner—Marcus A. Jackson

(74) *Attorney, Agent, or Firm*—Mario Theriault

(57) **CLAIM**

The ornamental design for a long stem, electric socket tea light candle adapter, as shown and described.

DESCRIPTION

FIG. 1 is a perspective front and top view of a long stem, electric socket tea light candle adapter in a first configuration, showing the first variant of my design;

FIG. 2 is a front view thereof, the rear view being a mirror image;

FIG. 3 is a right side view thereof, the left side view being a mirror image;

FIG. 4 is a top view thereof;

FIG. 5 is a bottom view thereof;

FIG. 6 is a right side view thereof in a second configuration;

FIG. 7 is a right side view thereof in a third configuration;

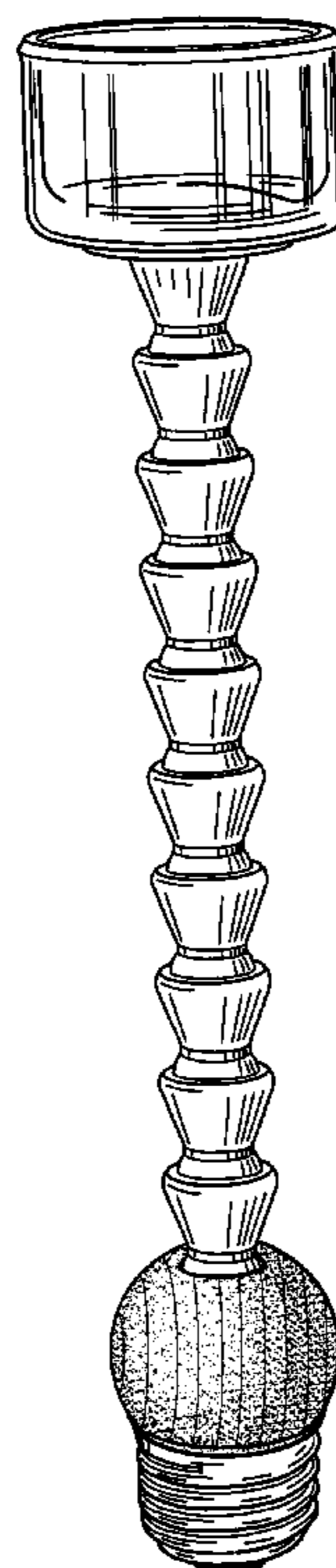
FIG. 8 is a perspective front and top view of a long stem, electric socket tea light candle adapter, showing the second variant of my design;

FIG. 9 is a front view of the second variant, the rear view being a mirror image; and,

FIG. 10 is a right side view of the second variant, the left side view being a mirror image, and the top and bottom views being the same as FIG. 4 and FIG. 5 respectively.

The drawings show two variants of my design. The two variants do not differ substantially from each other. FIGS. 1 to 7 show the first variant and FIGS. 8 to 10 show the second variant. The difference between the two variants is in the shape of the bead-like members along the stems thereof. The first variant has cone-shaped bead-like members and the second variant has spherical bead-like members.

1 Claim, 3 Drawing Sheets



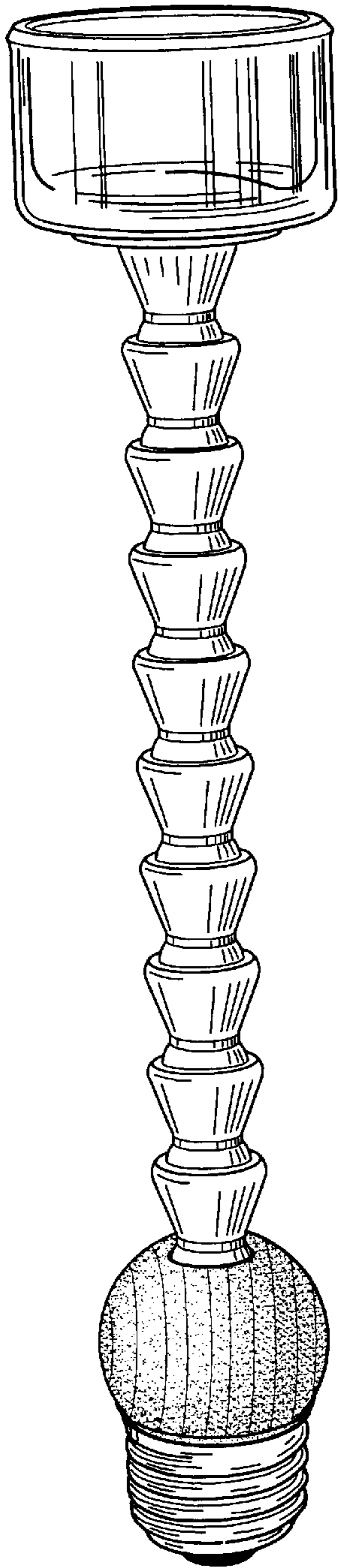


FIG. 1

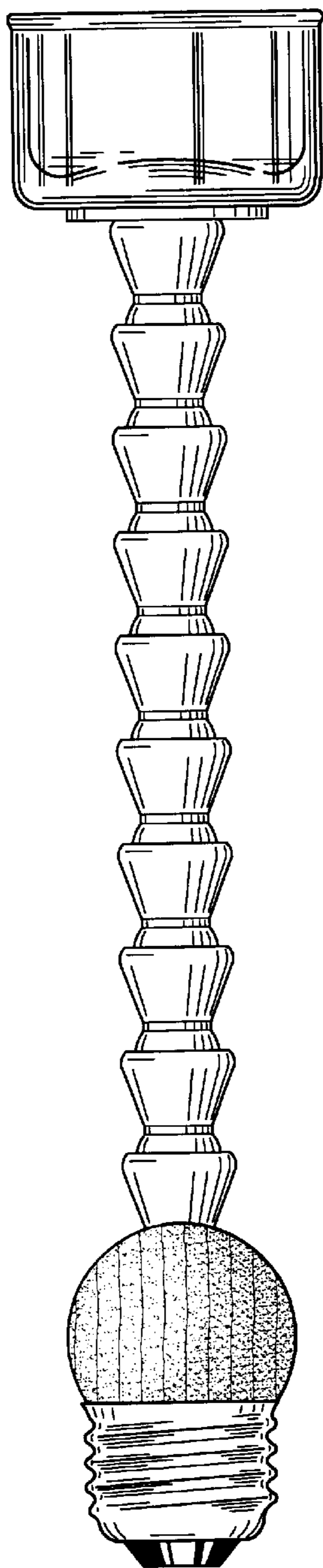


FIG. 2

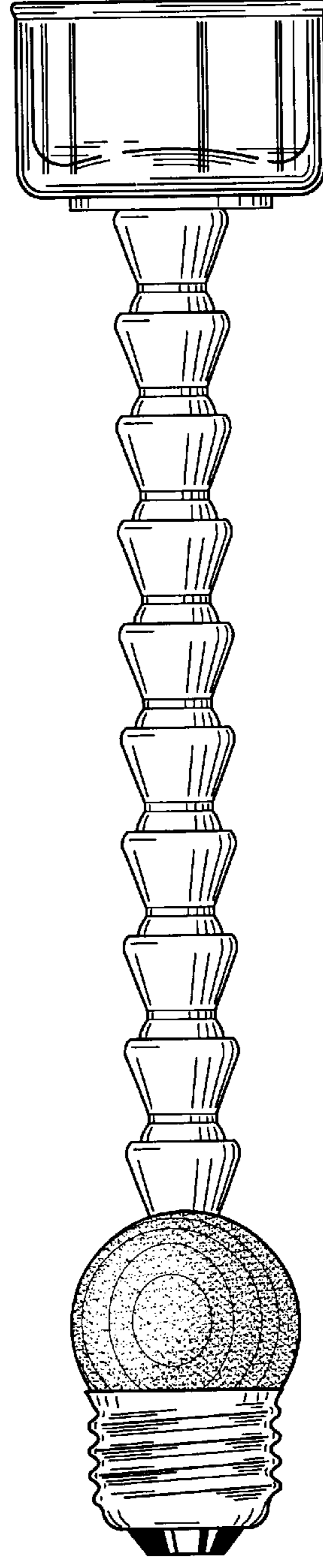


FIG. 3

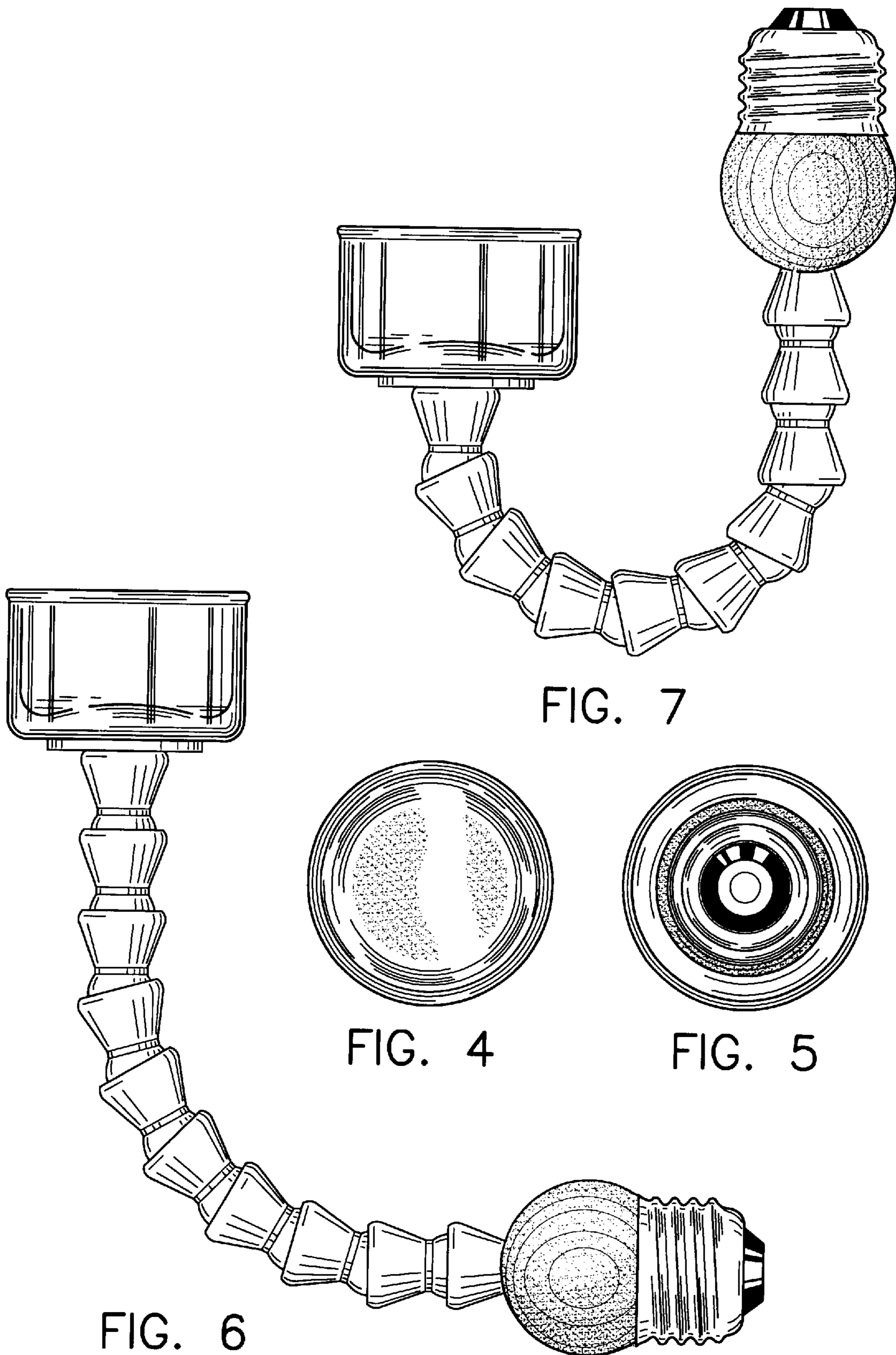


FIG. 7

FIG. 4

FIG. 5

FIG. 6

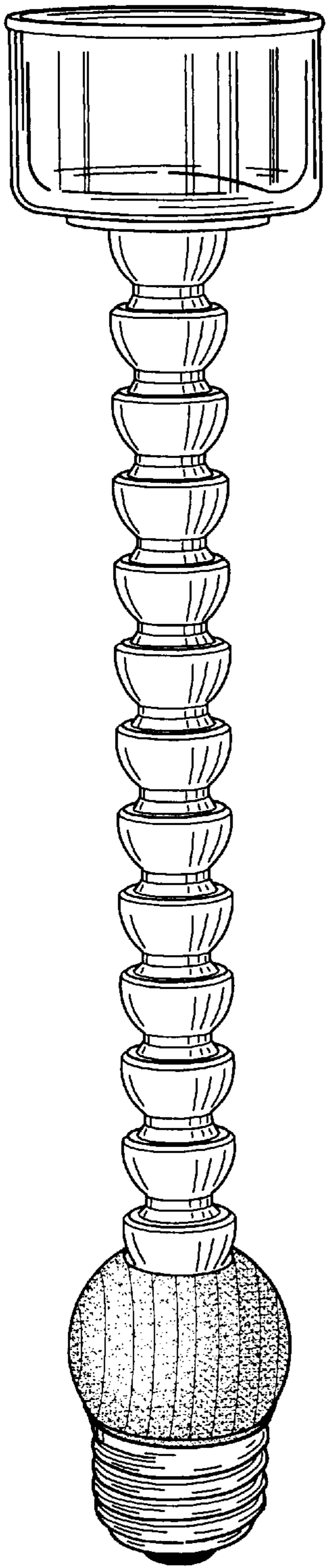


FIG. 8

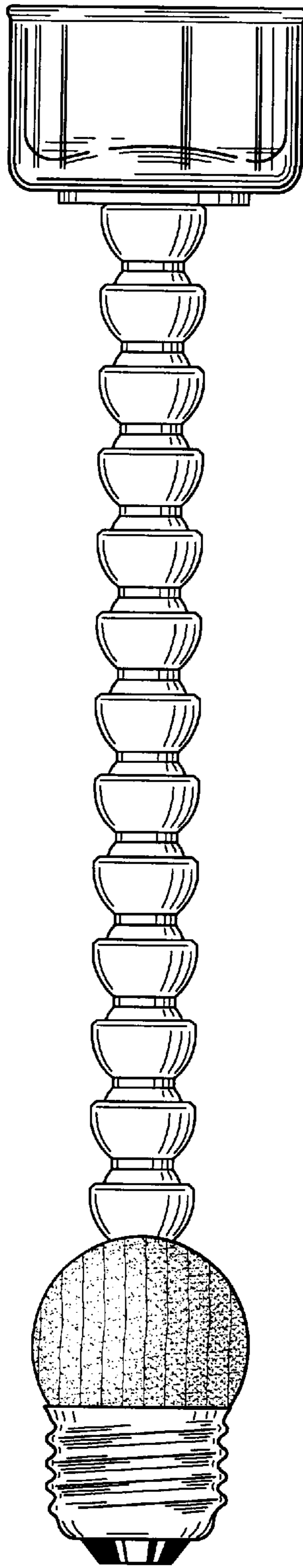


FIG. 9

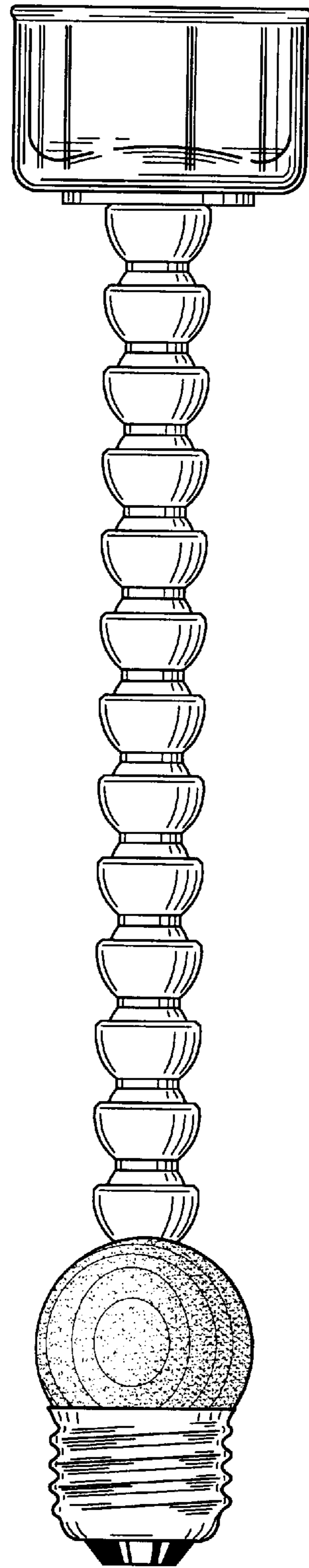


FIG. 10