



US00D524952S

(12) **United States Design Patent**  
**Ardern**

(10) **Patent No.:** **US D524,952 S**  
(45) **Date of Patent:** **\*\* Jul. 11, 2006**

(54) **CONSTRUCTIONAL OR GROUND COVERING PANEL**

(76) **Inventor:** **Fergus Johnathan Ardern**, Eastwood, Folgate Lane Old Costessy, Norwich, Norfolk NR8 5EF (GB)

(\*\*) **Term:** **14 Years**

(21) **Appl. No.:** **29/203,456**

(22) **Filed:** **Apr. 14, 2004**

(30) **Foreign Application Priority Data**

Oct. 14, 2003 (EM) ..... 000087044

(51) **LOC (8) Cl.** ..... **25-01**

(52) **U.S. Cl.** ..... **D25/163**

(58) **Field of Classification Search** ..... D25/138, D25/163, 157; 404/19, 20, 21, 42  
See application file for complete search history.

(56) **References Cited**

**U.S. PATENT DOCUMENTS**

3,500,606	A	3/1970	Wharmby	52/589
4,289,818	A	9/1981	Casamayor	428/43
4,373,306	A	2/1983	Rech	52/98
5,836,125	A	11/1998	Regina	52/306
6,089,784	A	7/2000	Ardern	404/41
D456,533	S *	4/2002	Moller, Jr.	D25/163
D465,857	S	11/2002	Ardern	D25/138
D481,470	S *	10/2003	Moller, Jr.	D25/163

**FOREIGN PATENT DOCUMENTS**

CH	540 398	9/1973
DE	1 509 841	6/1969
DE	85 20 182	11/1986
DE	86 32 856	3/1987
DE	94 21 260	9/1995
EP	0013896	8/1980
EP	0 176 645	4/1986
EP	0 286 395	10/1988
FR	2 240 320	3/1975
FR	2 536 150	5/1984
FR	2 559 177	8/1985
FR	2 733 282	10/1996
GB	320 657	10/1929
GB	1212983	11/1970

GB	1445617	8/1976
GB	2 101 174	1/1983
JP	4-110326	4/1992
WO	WO 91/13208	9/1991
WO	WO 97/18353	5/1997

**OTHER PUBLICATIONS**

U.S. Appl. No. 10/737,438, filed Dec. 16, 2003, entitled Construction Panels (Ardern).

\* cited by examiner

*Primary Examiner*—Doris Clark

(74) *Attorney, Agent, or Firm*—Synnestvedt & Lechner LLP

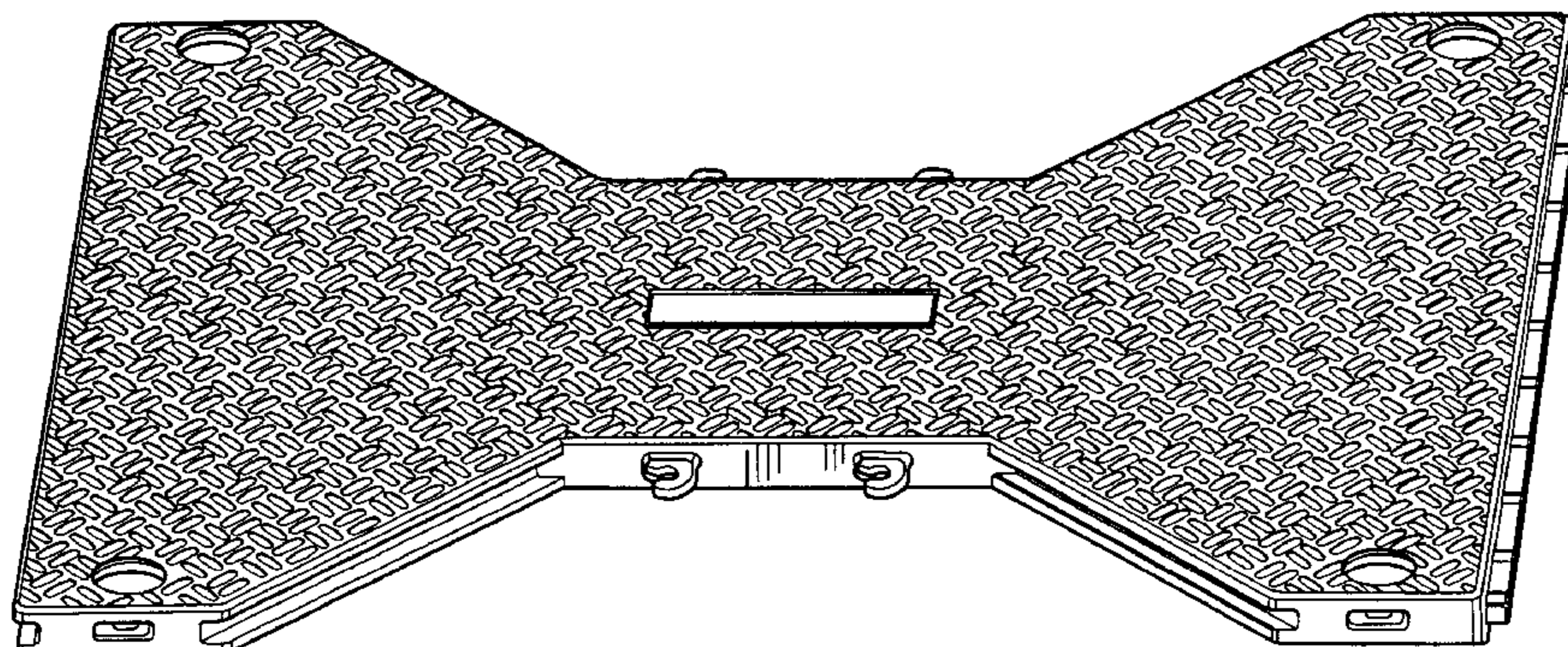
(57) **CLAIM**

The ornamental design for a constructional or ground covering panel, as shown and described.

**DESCRIPTION**

FIG. 1 is a top perspective view of the constructional or ground covering panel;  
 FIG. 2 is a bottom perspective view of the constructional or ground covering panel;  
 FIG. 3 is a view from one side of the constructional or ground covering panel;  
 FIG. 4 is a view from the other side of the constructional or ground covering panel;  
 FIG. 5 is a view from one end of the constructional or ground covering panel;  
 FIG. 6 is a view from the other end of the constructional or ground covering panel;  
 FIG. 7 is a top perspective view of a second embodiment of the constructional or ground covering panel;  
 FIG. 8 is a bottom perspective view showing the constructional or ground covering panel of FIG. 7;  
 FIG. 9 is a view from one side of the constructional or ground covering panel;  
 FIG. 10 is a view from the other side of the constructional or ground covering panel;  
 FIG. 11 is a view from one end of the constructional or ground covering panel; and,  
 FIG. 12 is a view from the other end of the constructional or ground covering panel.

**1 Claim, 8 Drawing Sheets**





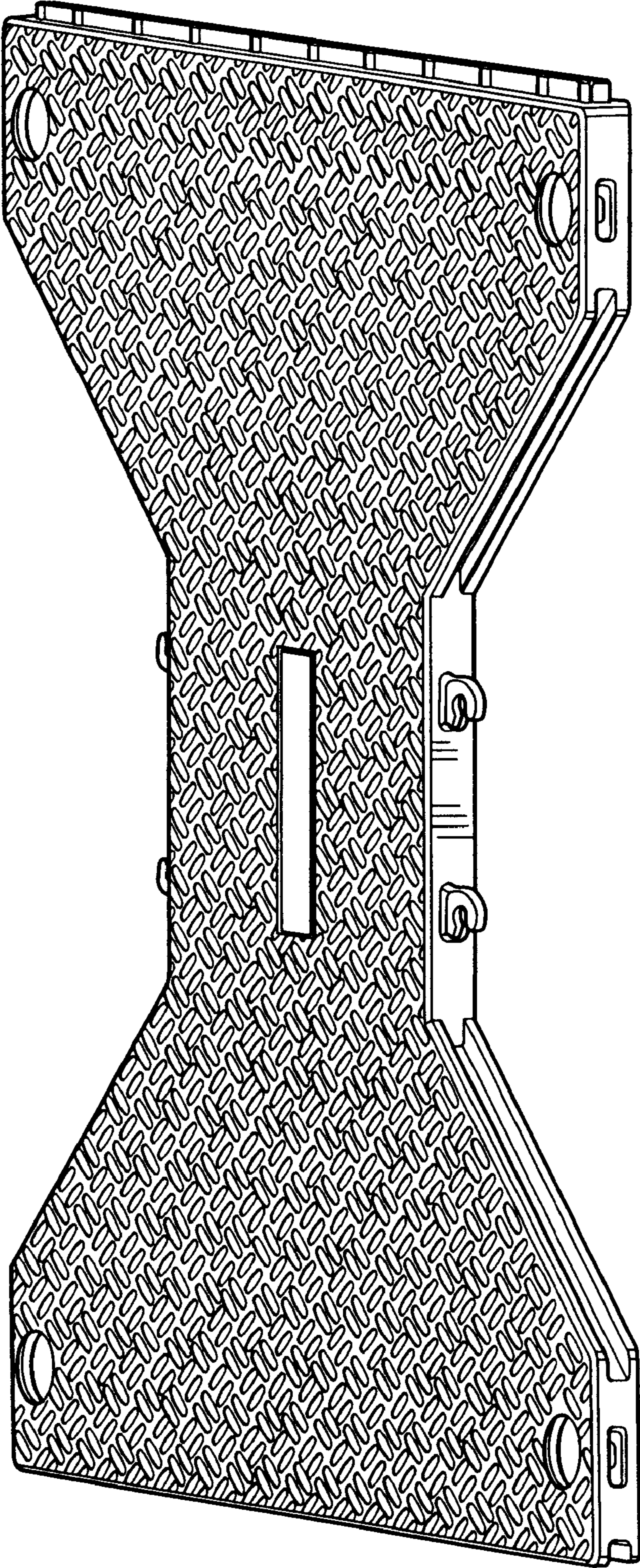


FIG. 1

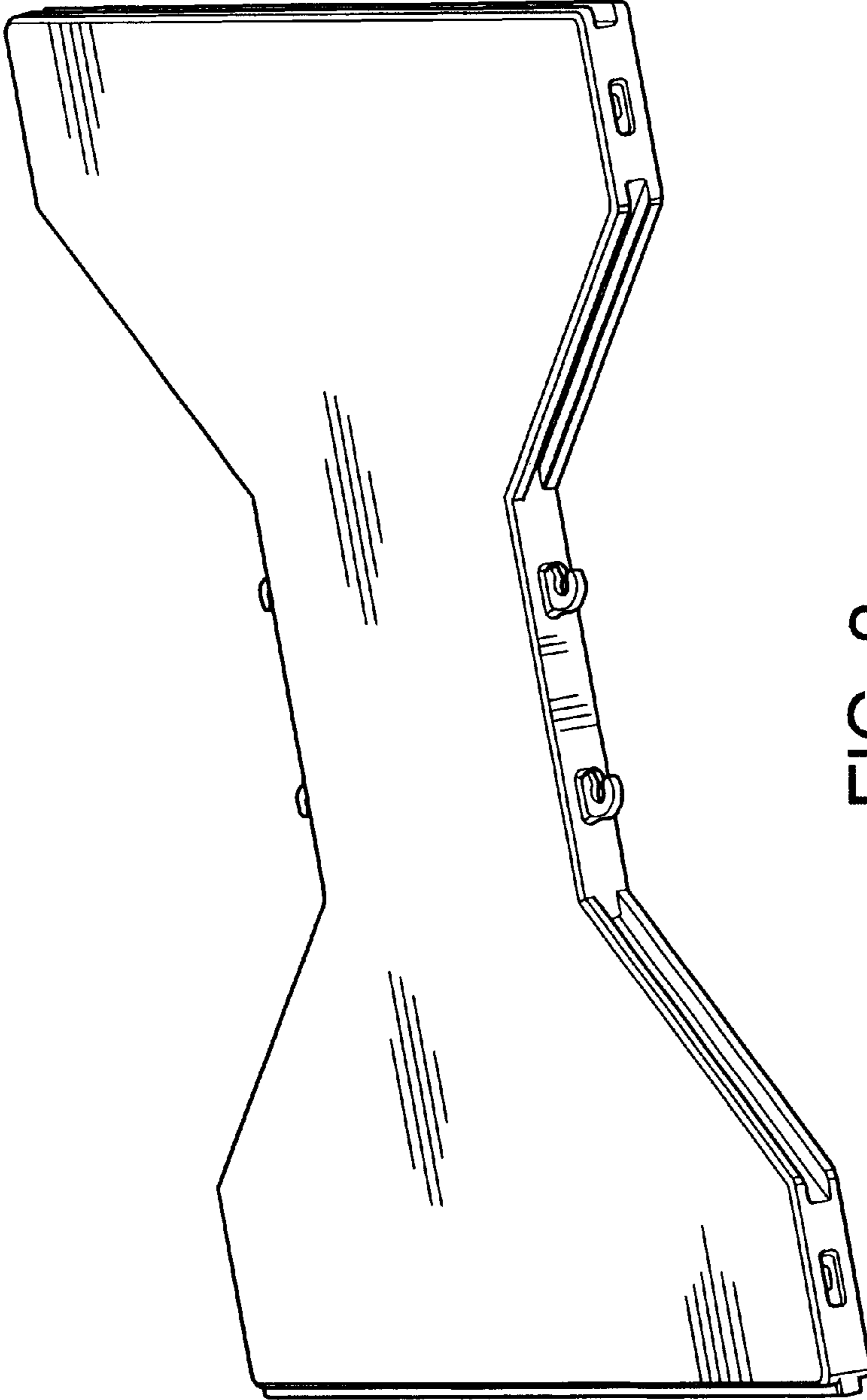


FIG. 2

---



FIG. 3



FIG. 4



FIG. 5

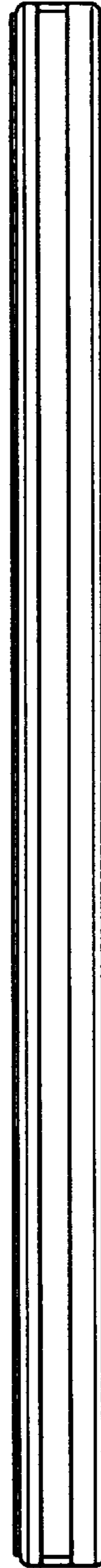


FIG. 6



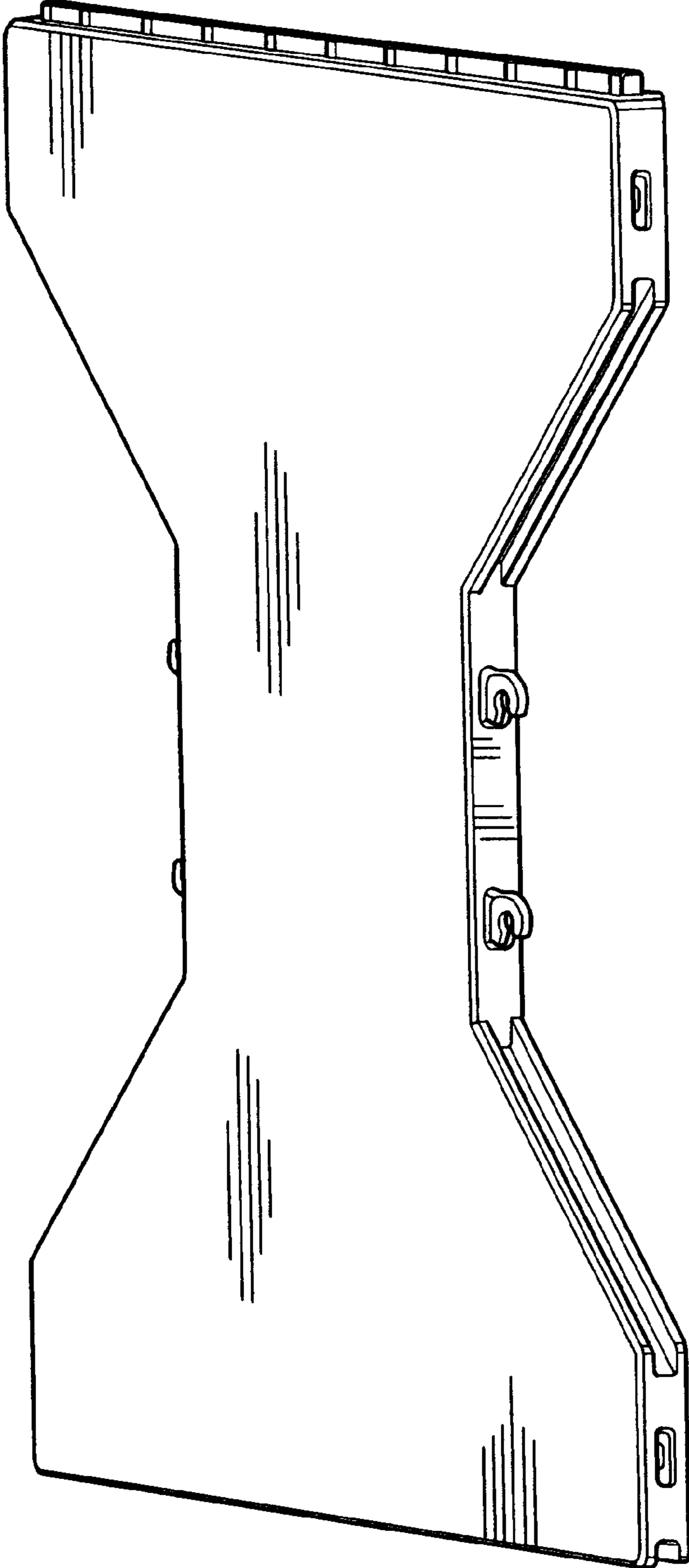


FIG. 7

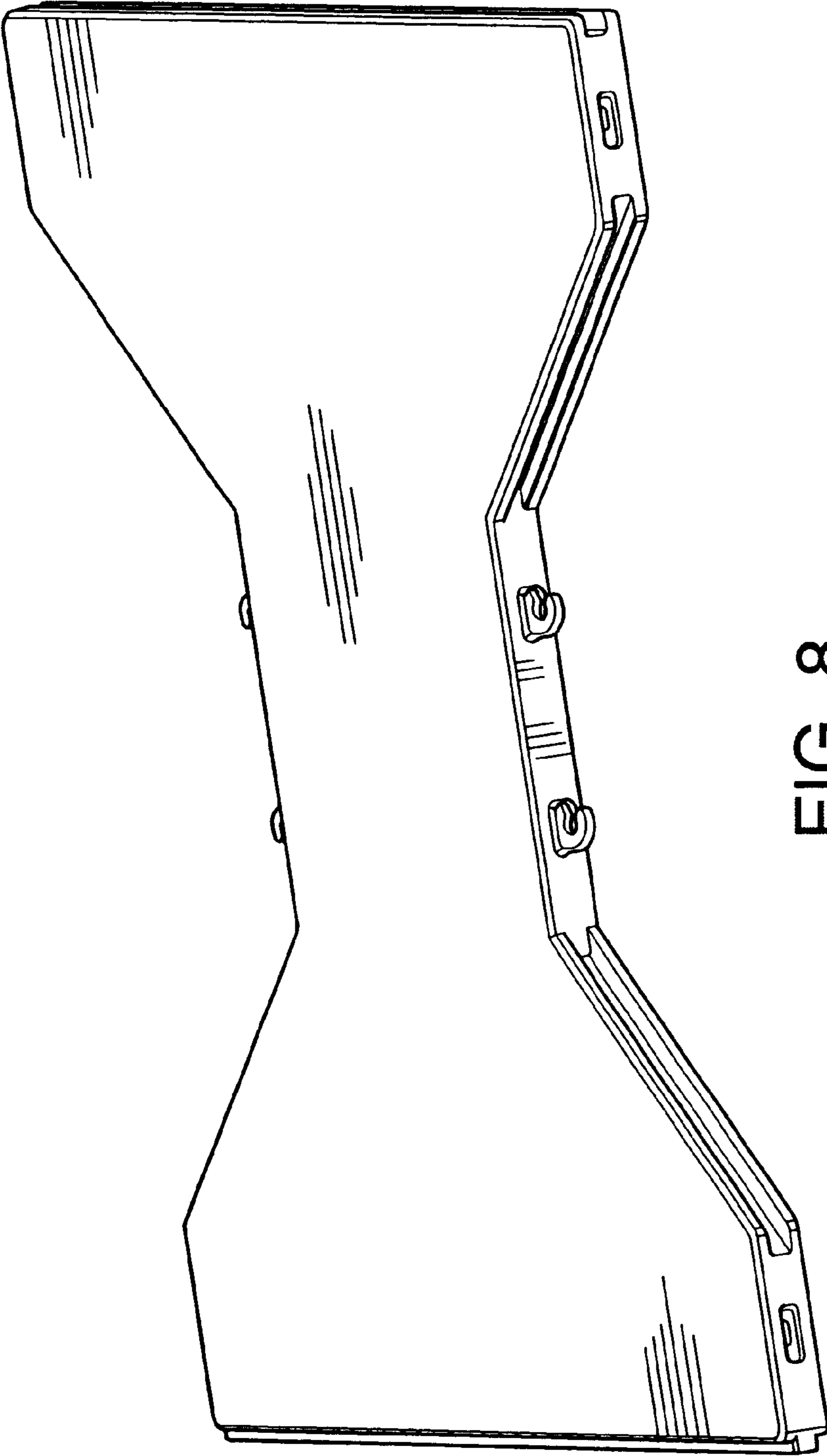


FIG. 8

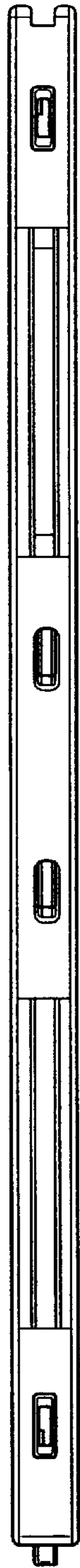


FIG. 9

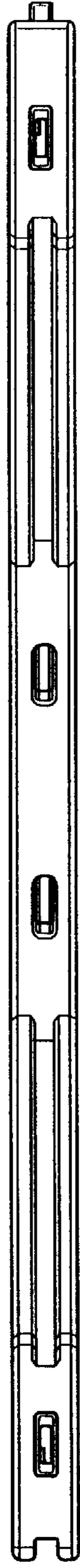


FIG. 10





FIG. 11



FIG. 12