



US00D524950S

(12) **United States Design Patent**
Embretsen

(10) **Patent No.:** **US D524,950 S**

(45) **Date of Patent:** **** Jul. 11, 2006**

(54) **MOBILE STEP-LADDER**

D306,487 S * 3/1990 Fowler, Jr. D25/62
6,116,378 A * 9/2000 Barrow 182/127

(76) Inventor: **Anders Embretsen**, Kolonivagen 8,
824 50 Hudiksvall (SE)

* cited by examiner

(**) Term: **14 Years**

Primary Examiner—Doris Clark

(74) *Attorney, Agent, or Firm*—Rolf Fasth; Fasth Law
Office

(21) Appl. No.: **29/221,767**

(22) Filed: **Jan. 20, 2005**

(57) **CLAIM**

The ornamental design for a mobile step-ladder, as shown
and described.

(30) **Foreign Application Priority Data**

Sep. 27, 2004 (SE) 04-0655

DESCRIPTION

(51) **LOC (8) Cl.** **25-04**

FIG. 1 is a perspective view of the mobile step-ladder of the
present invention;

(52) **U.S. Cl.** **D25/64**

FIG. 2 is an elevational rear view of the mobile step-ladder
shown in FIG. 1;

(58) **Field of Classification Search** D25/62,
D25/64, 65; 182/33, 82, 20, 25, 102, 115,
182/112, 120, 194, 180.1, 186.8

FIG. 3 is an elevational front view of the mobile step-ladder
shown in FIG. 1;

See application file for complete search history.

FIG. 4 is an elevational top view of the mobile step-ladder
shown in FIG. 1;

(56) **References Cited**

FIG. 5 is an elevational bottom view of the mobile step-
ladder shown in FIG. 1;

U.S. PATENT DOCUMENTS

FIG. 6 is a left side view of the mobile step-ladder shown in
FIG. 1; and,

2,203,445 A * 6/1940 Schwarz et al. 182/106
D162,132 S * 2/1951 Dole D25/64
D238,320 S * 1/1976 Smith et al. D25/65

FIG. 7 is a right side view of the mobile step-ladder shown
in FIG. 1.

1 Claim, 3 Drawing Sheets

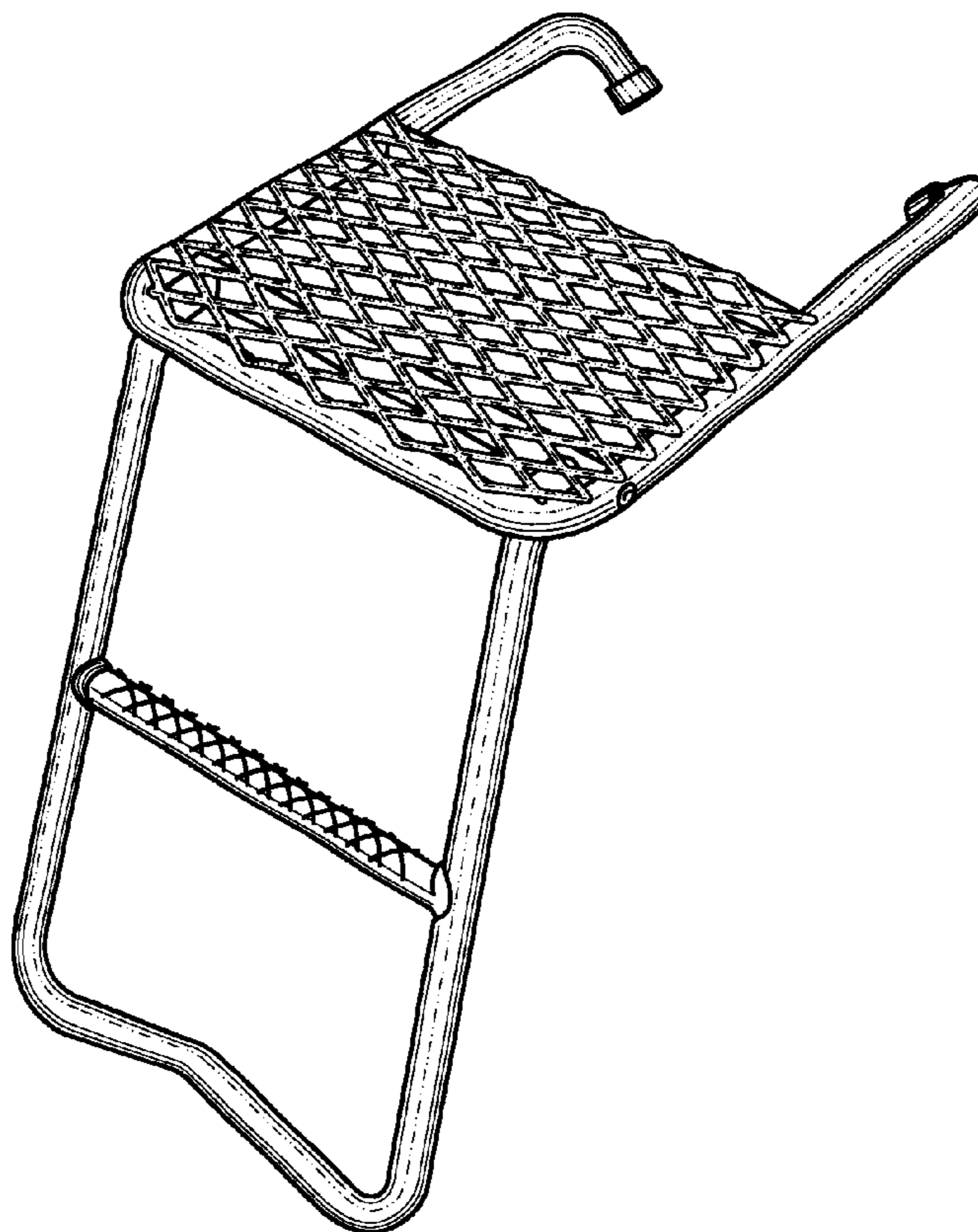
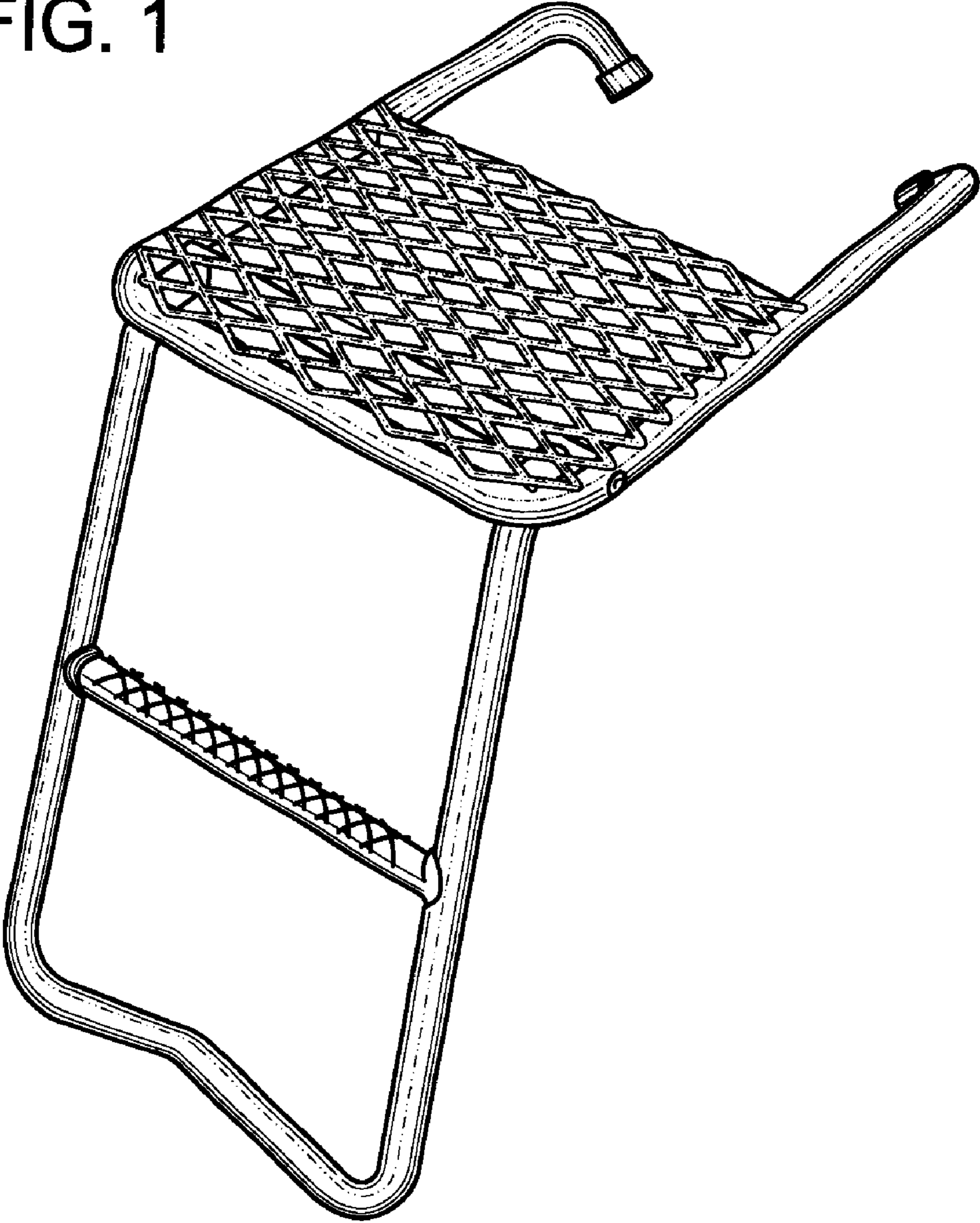


FIG. 1



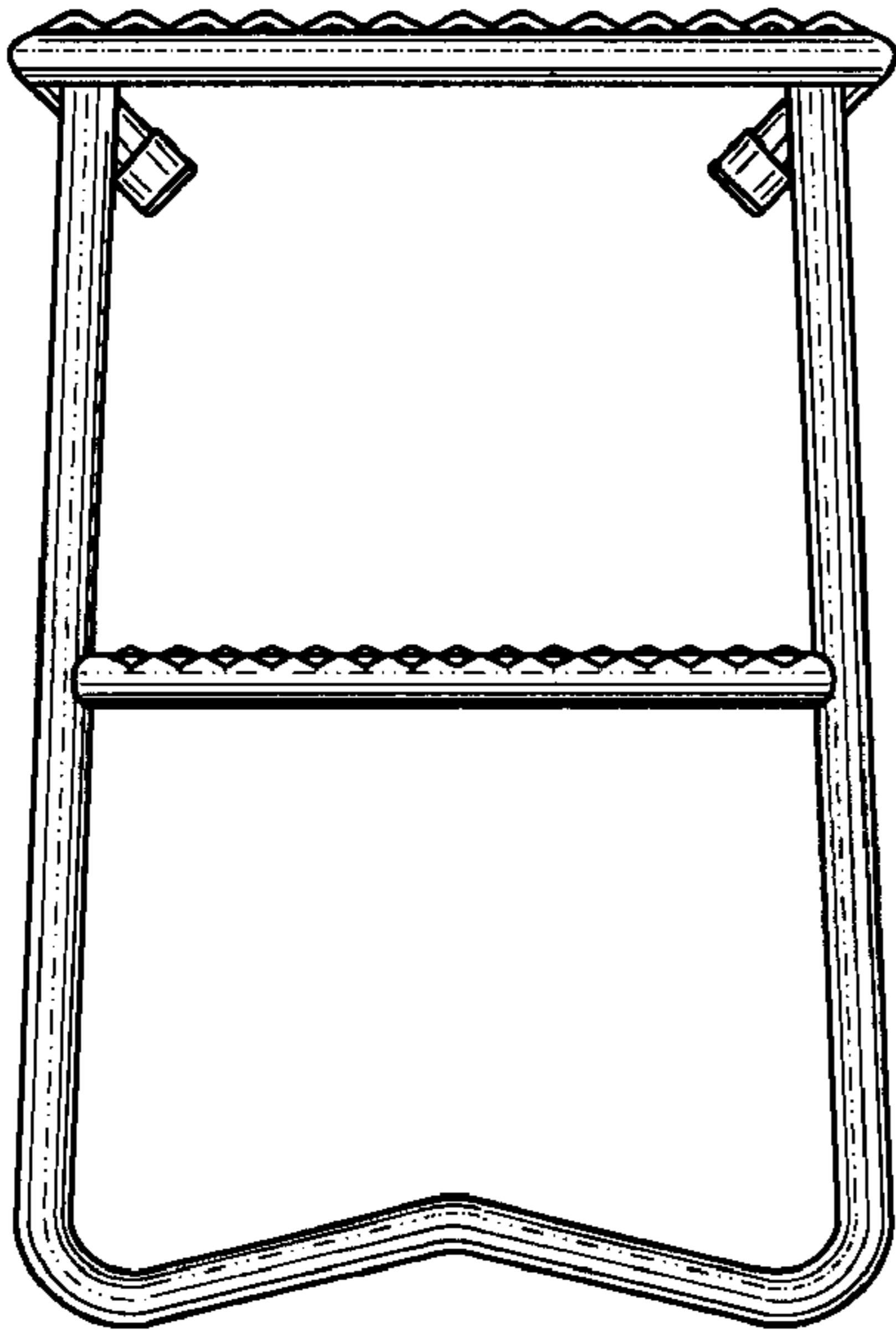


FIG. 2

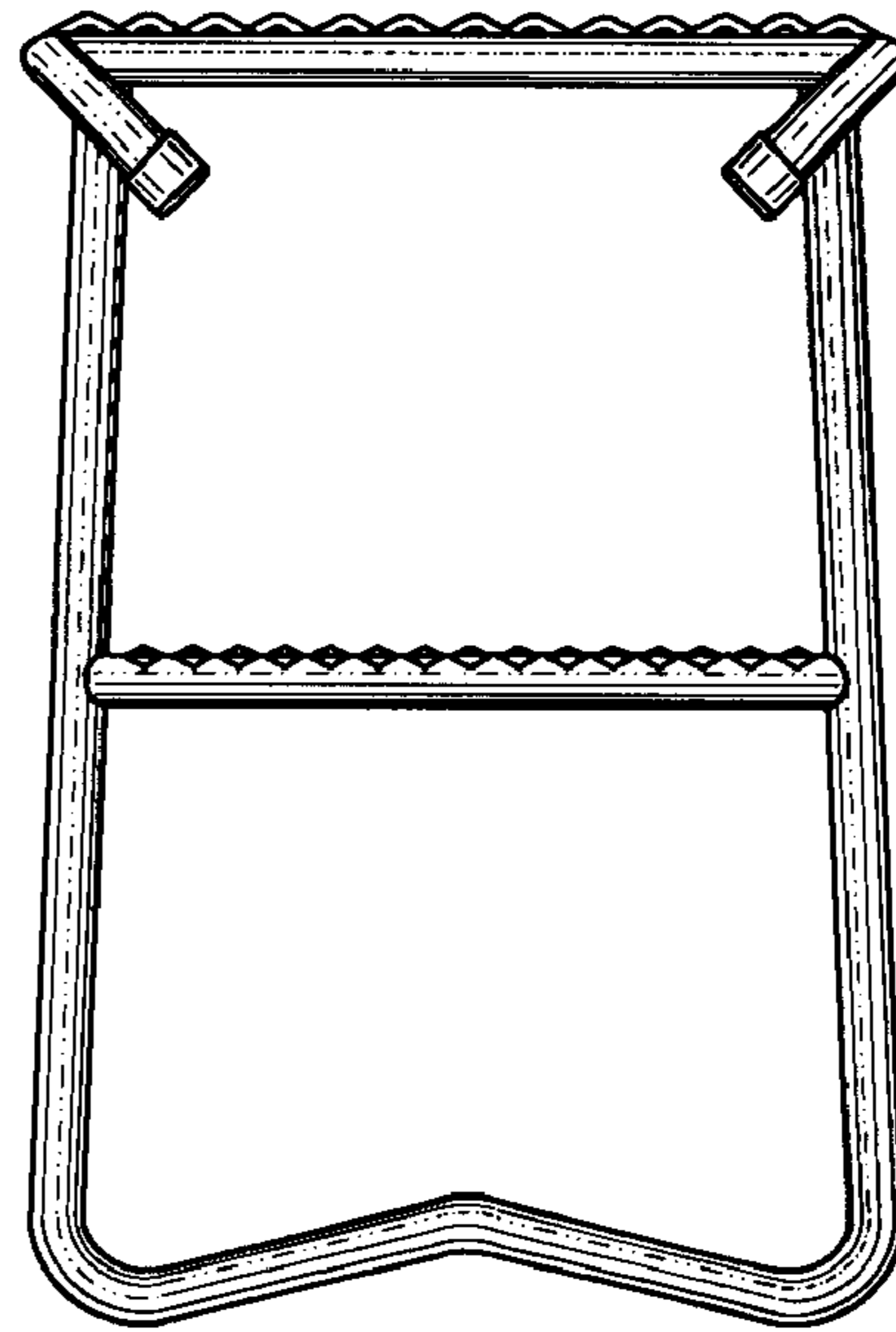


FIG. 3

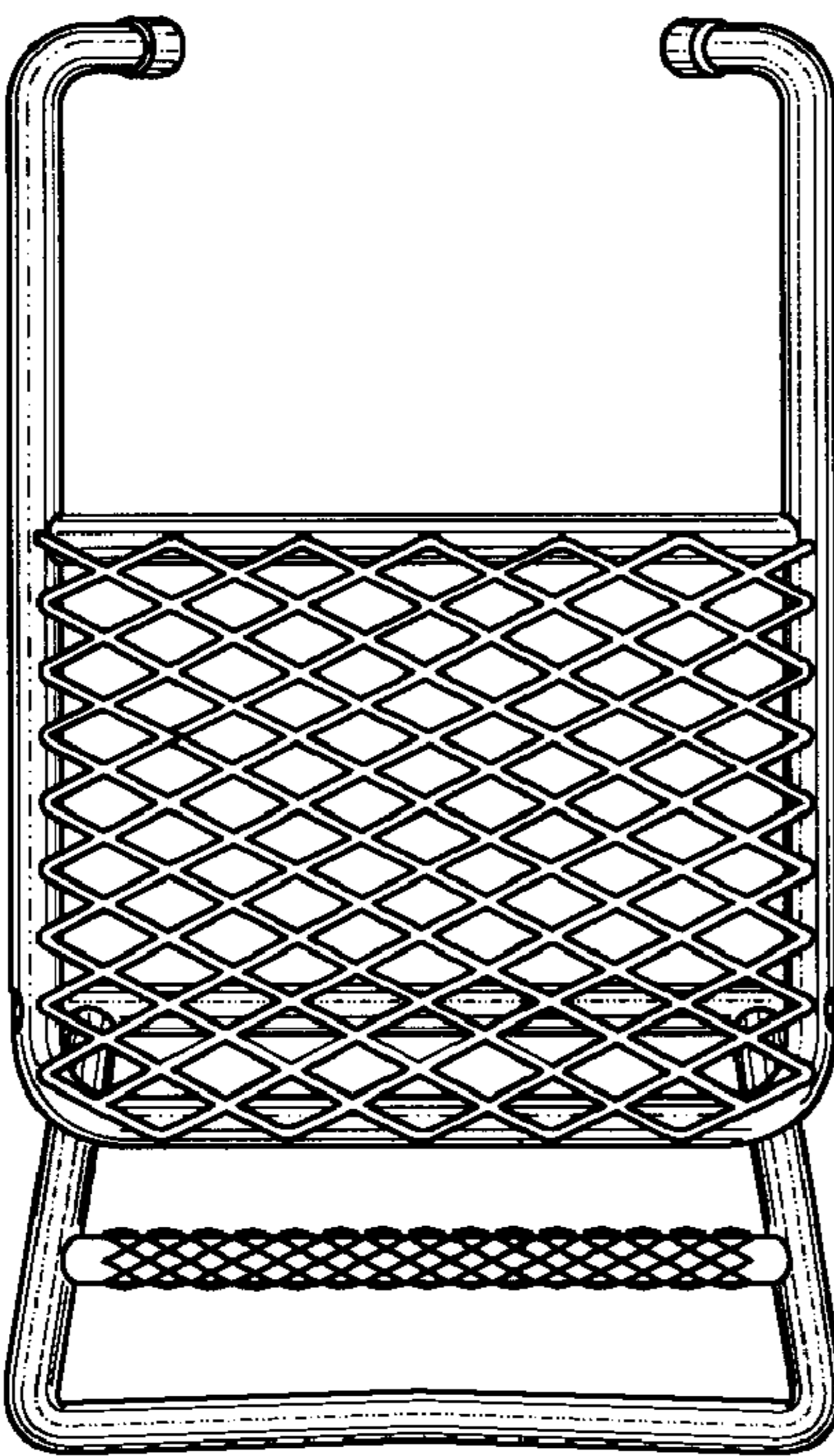


FIG. 4

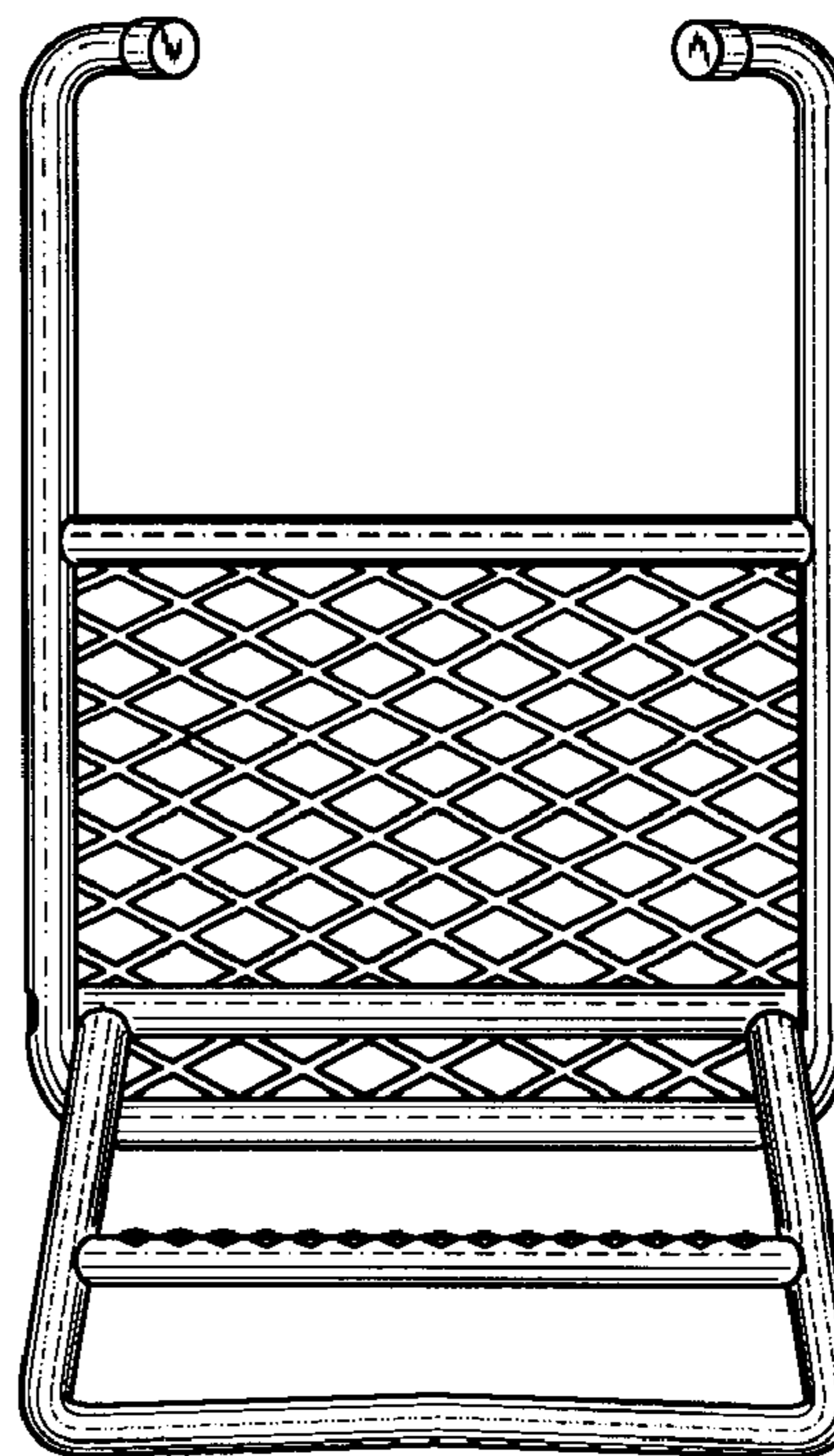


FIG. 5

FIG. 6

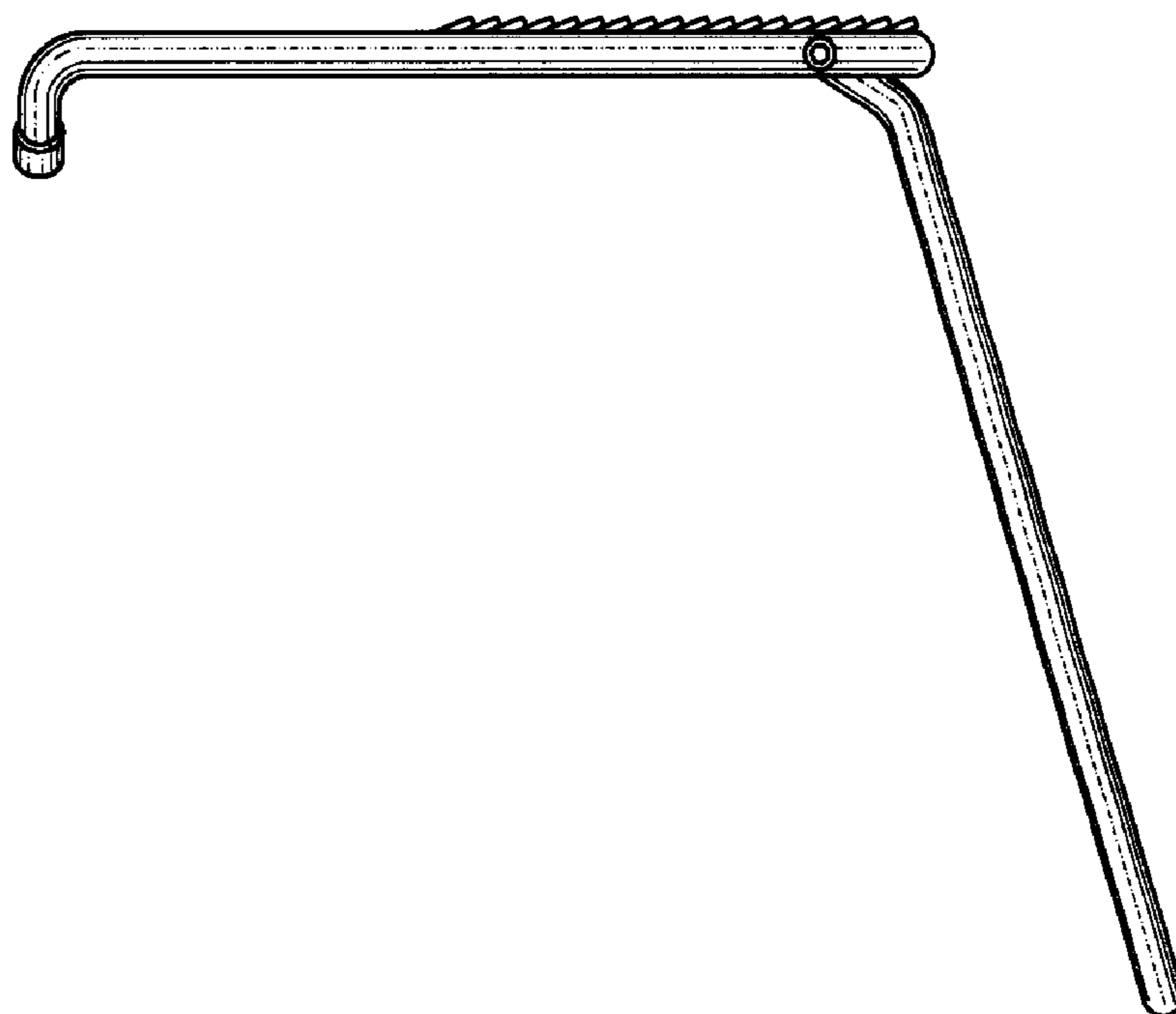


FIG. 7

