

US00D524948S

(12) **United States Design Patent**
Pedraza et al.

(10) **Patent No.:** **US D524,948 S**
(45) **Date of Patent:** **** Jul. 11, 2006**

(54) **ELECTROPHORESIS DEVICE**
(75) Inventors: **Luis Pedraza**, West Roxbury, MA
(US); **Stephen K. Guerrero**, Holliston,
MA (US); **Charles S. Brunner**, North
Reading, MA (US)

4,810,348 A * 3/1989 Sarrine et al. 204/608
4,830,725 A * 5/1989 Berninger et al. 204/620
D315,952 S * 4/1991 Berninger et al. D24/233
5,147,522 A * 9/1992 Sarrine 204/616
D441,459 S * 5/2001 Ooike et al. D24/233

(73) Assignee: **Protein Forest, Inc.**, Watertown, MA
(US)

OTHER PUBLICATIONS
Cole-Parmer; 2001-2002; p. 340; upper right corner.*
* cited by examiner

(**) Term: **14 Years**

Primary Examiner—Ian Simmons
Assistant Examiner—Melanie Levy
(74) *Attorney, Agent, or Firm*—Pabst Patent Group LLP

(21) Appl. No.: **29/239,909**

(22) Filed: **Oct. 6, 2005**

(57) **CLAIM**

Related U.S. Application Data

We claim the ornamental design for an electrophoresis device, as shown and described.

(62) Division of application No. 29/211,954, filed on Aug. 24, 2004.

DESCRIPTION

(51) **LOC (8) Cl.** **24-01**
(52) **U.S. Cl.** **D24/233**
(58) **Field of Classification Search** D24/233;
439/509, 911; 204/466, 456, 616, 620, 608
See application file for complete search history.

FIG. 1 is a perspective view of an electrophoresis device showing our new design;
FIG. 2 is a front elevational view;
FIG. 3 is a side elevational view with the top closed, the opposite side elevational view being a mirror image thereof;
FIG. 4 is a side elevational view with the top open, the opposite side elevational view being a mirror image thereof; and,
FIG. 5 is a back elevational view.
The broken lines are for illustrative purposes only and form no part of the claimed design.
The bottom of the electrophoresis device is not visible during normal use.

(56) **References Cited**

U.S. PATENT DOCUMENTS

3,856,565 A 12/1974 Arnold
3,856,656 A * 12/1974 Brink 204/616
3,902,987 A * 9/1975 Cawley 436/516
D266,150 S * 9/1982 Borsos D24/233
4,588,491 A * 5/1986 Kreisher et al. 204/620
4,608,146 A * 8/1986 Penaluna 204/616

1 Claim, 3 Drawing Sheets

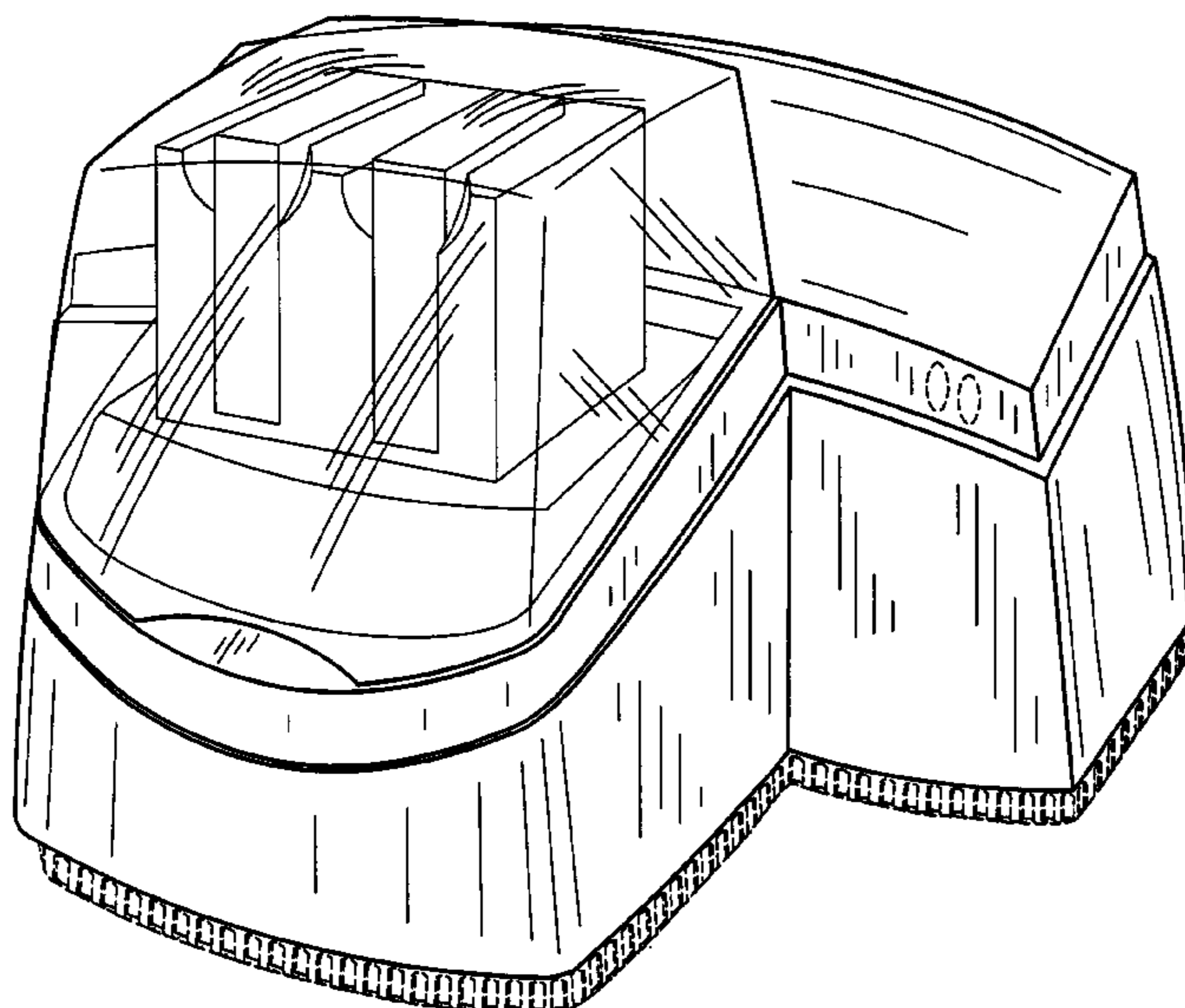


FIG. 1

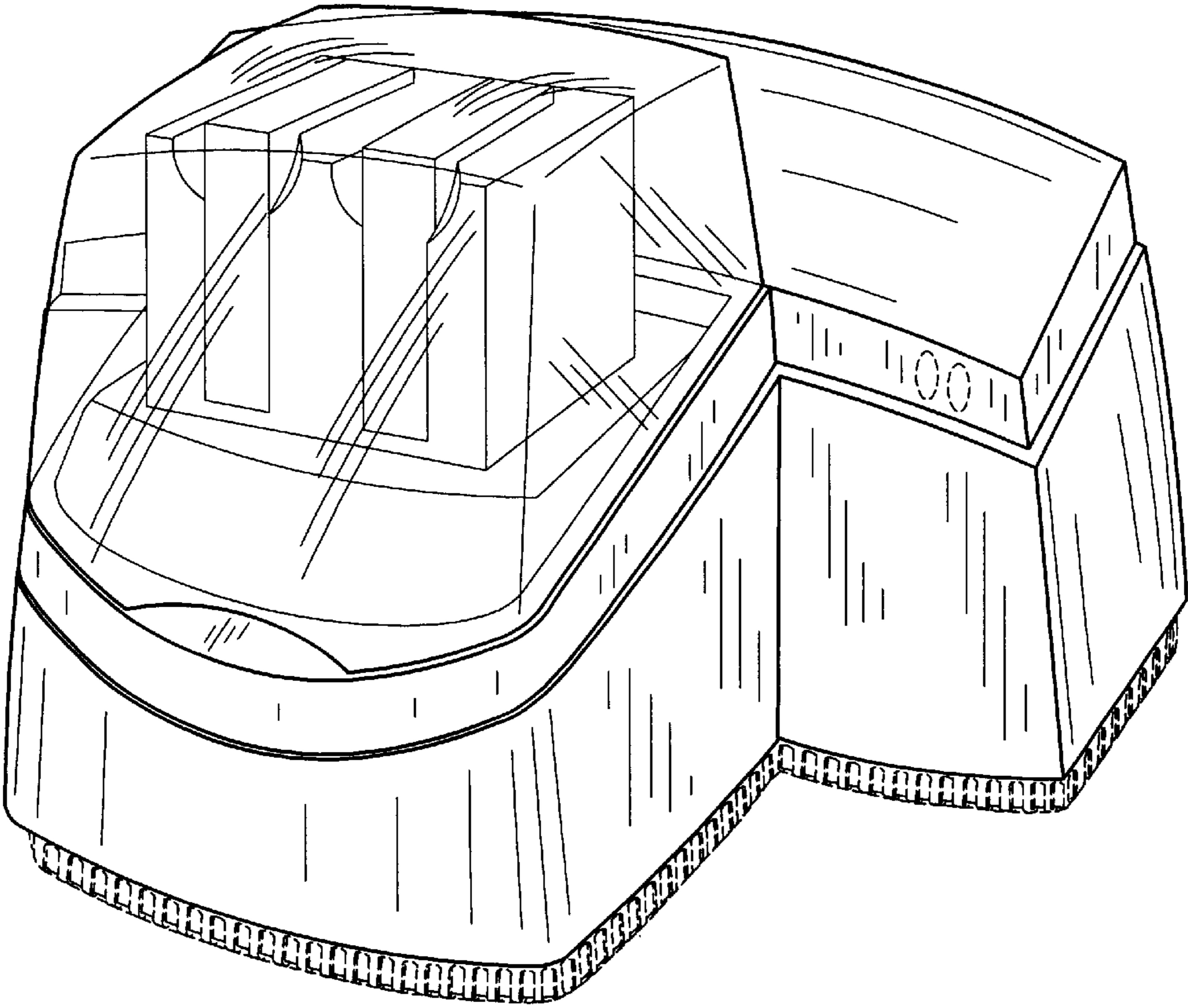


FIG. 2

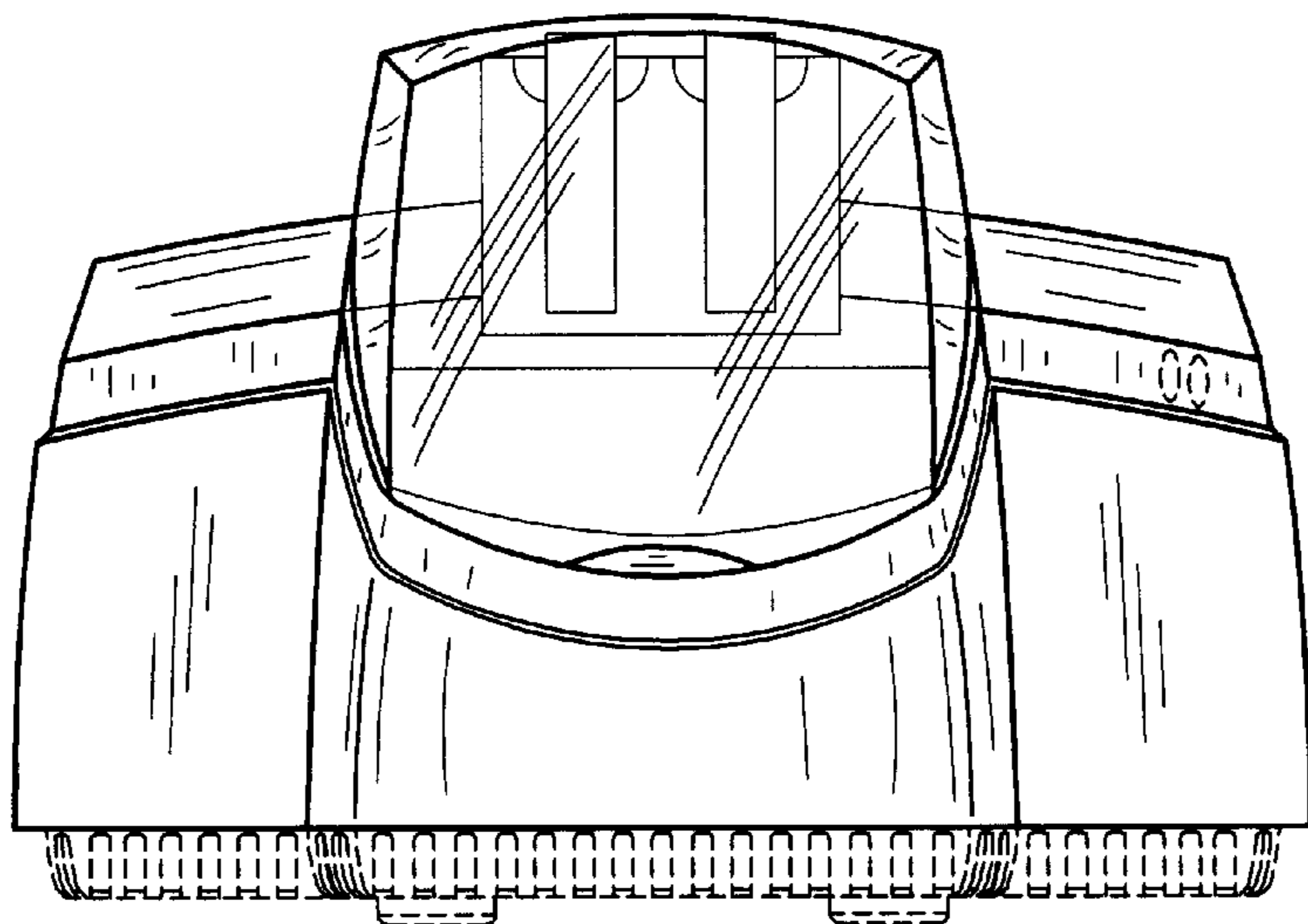


FIG. 3

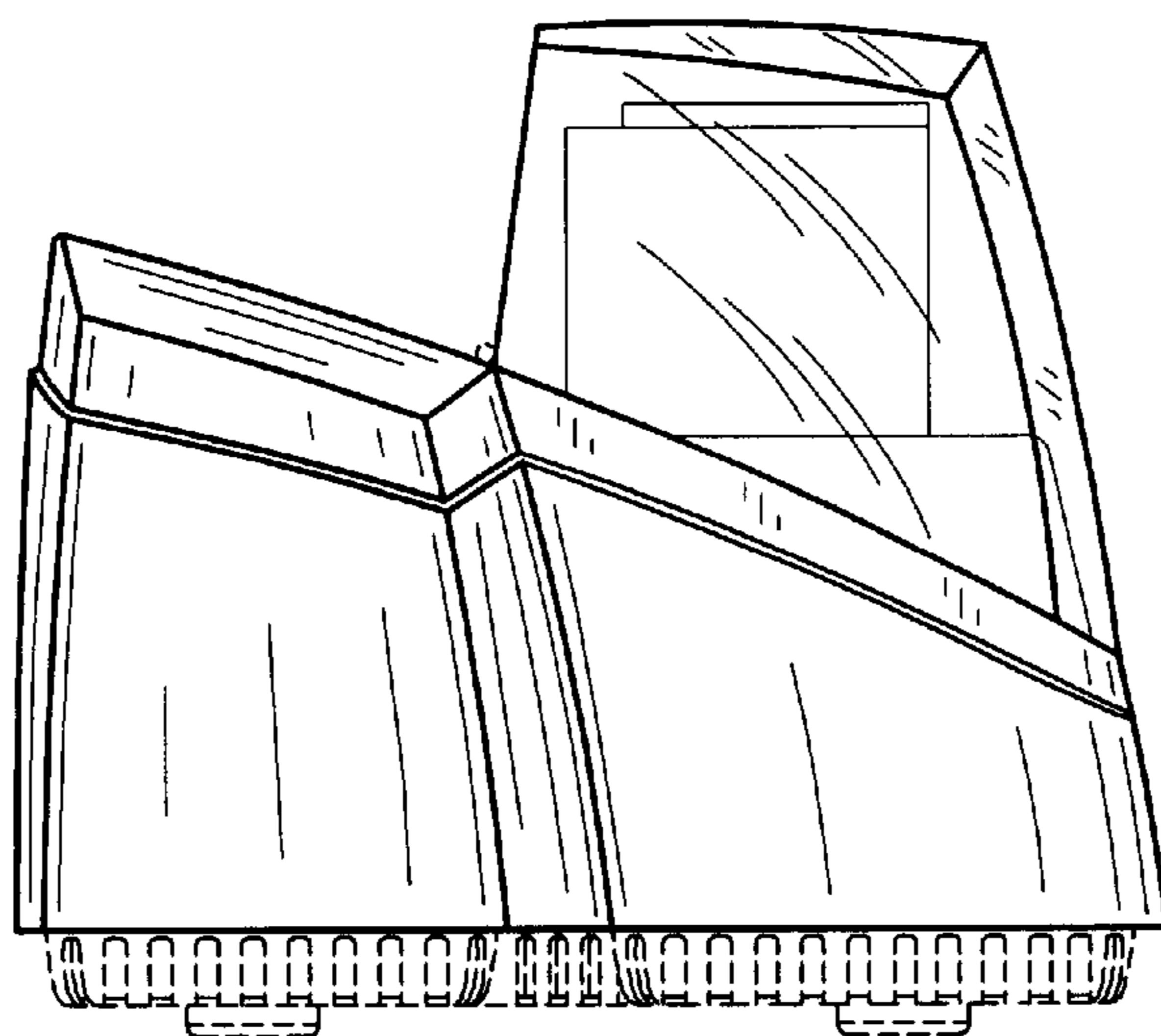


FIG. 4

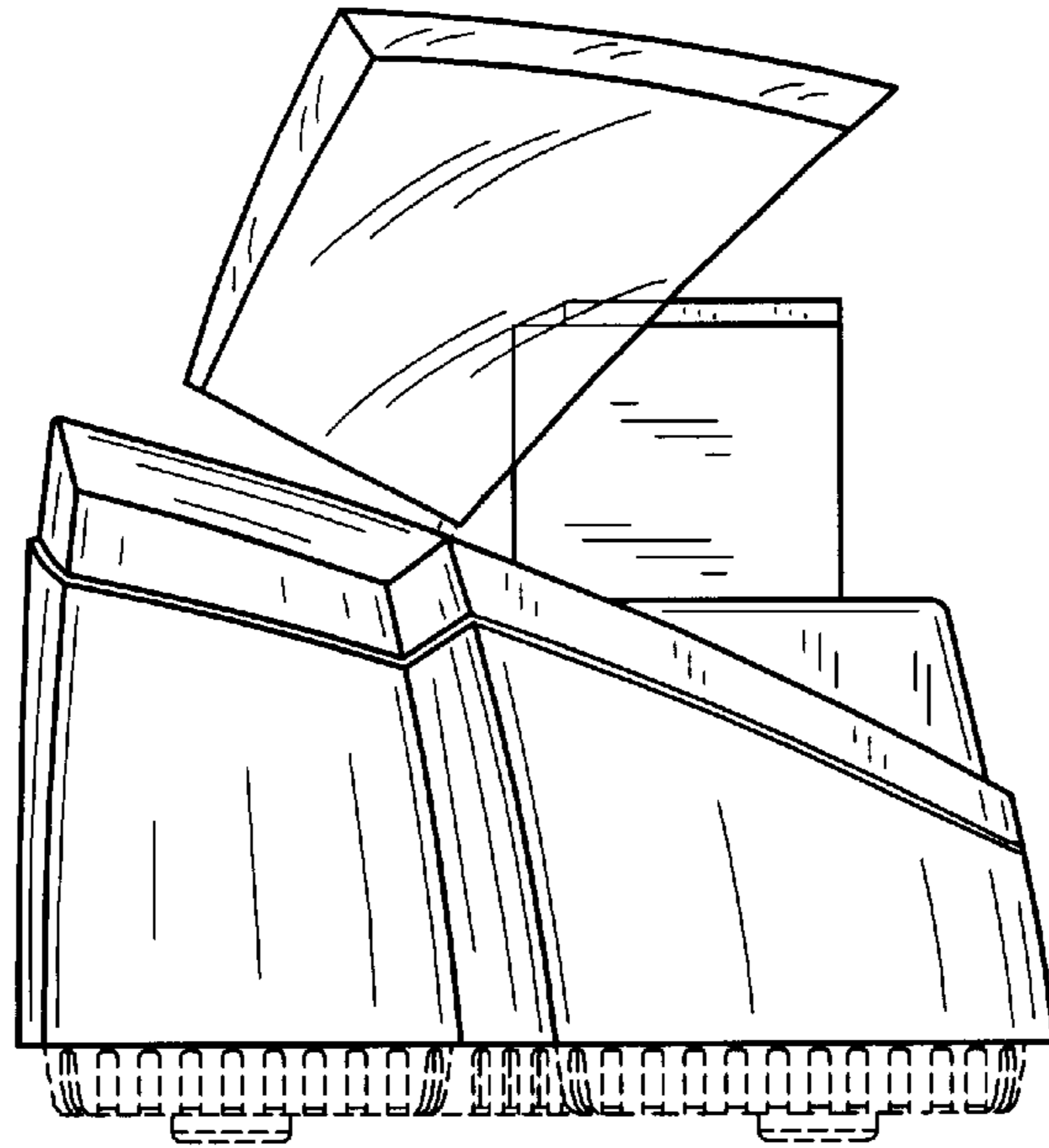


FIG. 5

