



US00D524947S

(12) **United States Design Patent**  
**Gleason et al.**

(10) **Patent No.:** **US D524,947 S**

(45) **Date of Patent:** **\*\* Jul. 11, 2006**

(54) **FOOT MASSAGER**

(75) Inventors: **J. Neil Gleason**, Milford, NH (US);  
**Kenneth David Harris, Jr.**, Hollis, NH  
(US); **Stephen R. Lyman**, Hudson, NH  
(US); **James C. TerMeer**, Concord, NH  
(US); **Steven H. Schwartz**, Bedford,  
NH (US)

(73) Assignee: **Brookstone Purchasing, Inc.**,  
Merrimack, NH (US)

(\*\*) Term: **14 Years**

(21) Appl. No.: **29/202,635**

(22) Filed: **Apr. 2, 2004**

(51) **LOC (8) Cl.** ..... **28-03**

(52) **U.S. Cl.** ..... **D24/213**

(58) **Field of Classification Search** ..... D24/200,  
D24/212, 213, 215; 601/23, 27, 28, 29, 30,  
601/34, 35, 46, 61, 90, 94, 95

See application file for complete search history.

(56) **References Cited**

**U.S. PATENT DOCUMENTS**

5,107,822 A \* 4/1992 Ohashi ..... 601/23  
D329,499 S \* 9/1992 Ohashi ..... D24/213  
D340,116 S \* 10/1993 Ohashi ..... D24/213  
D340,529 S \* 10/1993 Ohashi ..... D24/215

D346,030 S \* 4/1994 Tsai ..... D24/213  
D358,656 S \* 5/1995 Chang ..... D24/213  
5,417,644 A \* 5/1995 Lee ..... 601/29  
D379,661 S \* 6/1997 You ..... D24/213  
D444,884 S \* 7/2001 Huang ..... D24/213  
6,285,144 B1 \* 9/2001 Shih ..... 601/23  
D477,415 S \* 7/2003 Miyake et al. .... D24/212  
2003/0050579 A1 \* 3/2003 Hsieh et al. .... 601/29  
2004/0243029 A1 \* 12/2004 Shimizu ..... 601/90

\* cited by examiner

*Primary Examiner*—Ian Simmons

*Assistant Examiner*—Melanie Levy

(74) *Attorney, Agent, or Firm*—Nixon Peabody LLP; Tim  
L. Brackett, Jr.; Andrea L. Hirst

(57) **CLAIM**

The ornamental design of a foot massager, as shown and  
described.

**DESCRIPTION**

FIG. 1 is a perspective view showing a new foot massager;  
FIG. 2 is a top view thereof;  
FIG. 3 is a bottom view thereof;  
FIG. 4 is a front view thereof;  
FIG. 5 is a back view thereof;  
FIG. 6 is a right side view thereof; and,  
FIG. 7 is a left side view thereof.

**1 Claim, 7 Drawing Sheets**

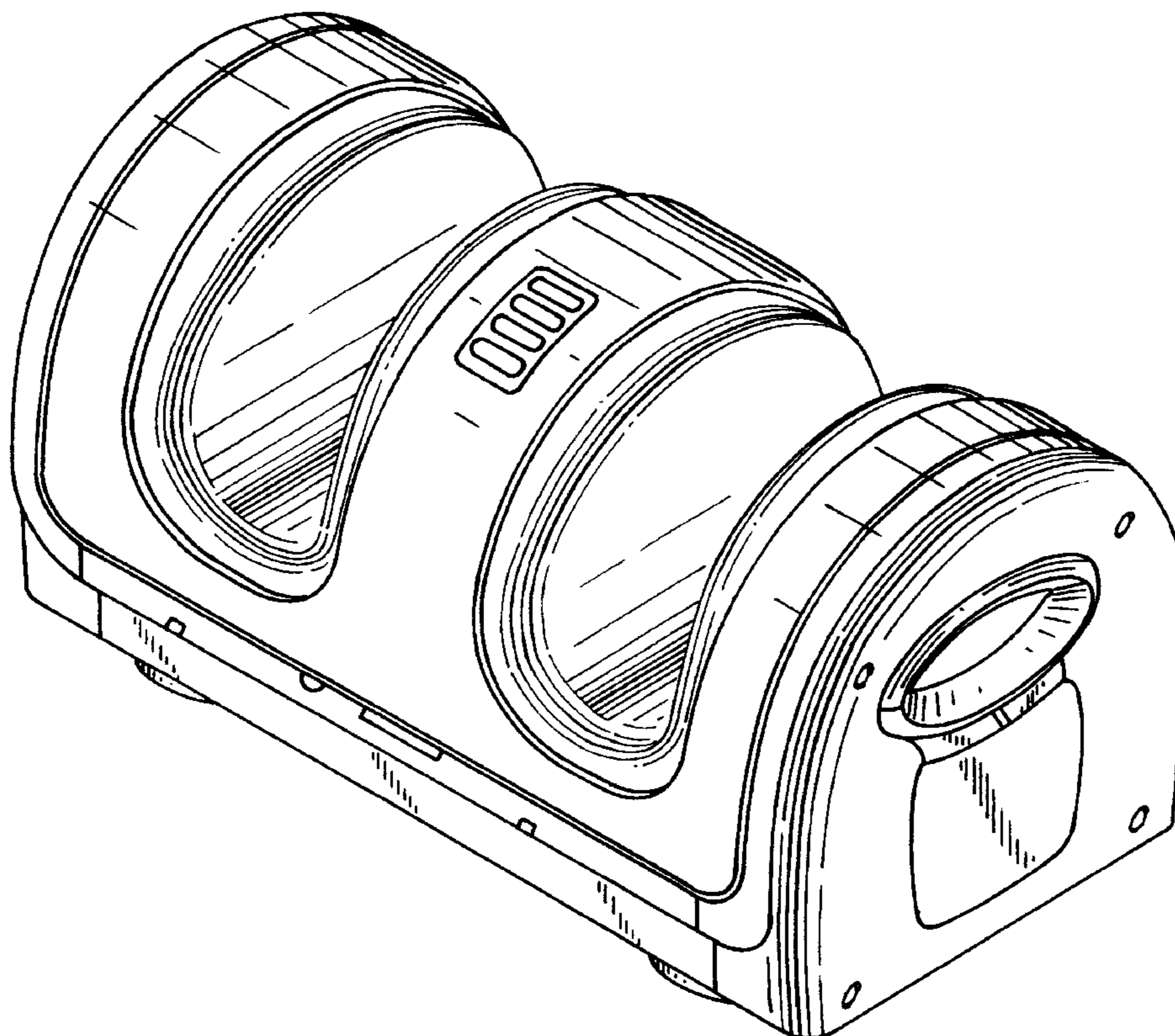


FIG. 1

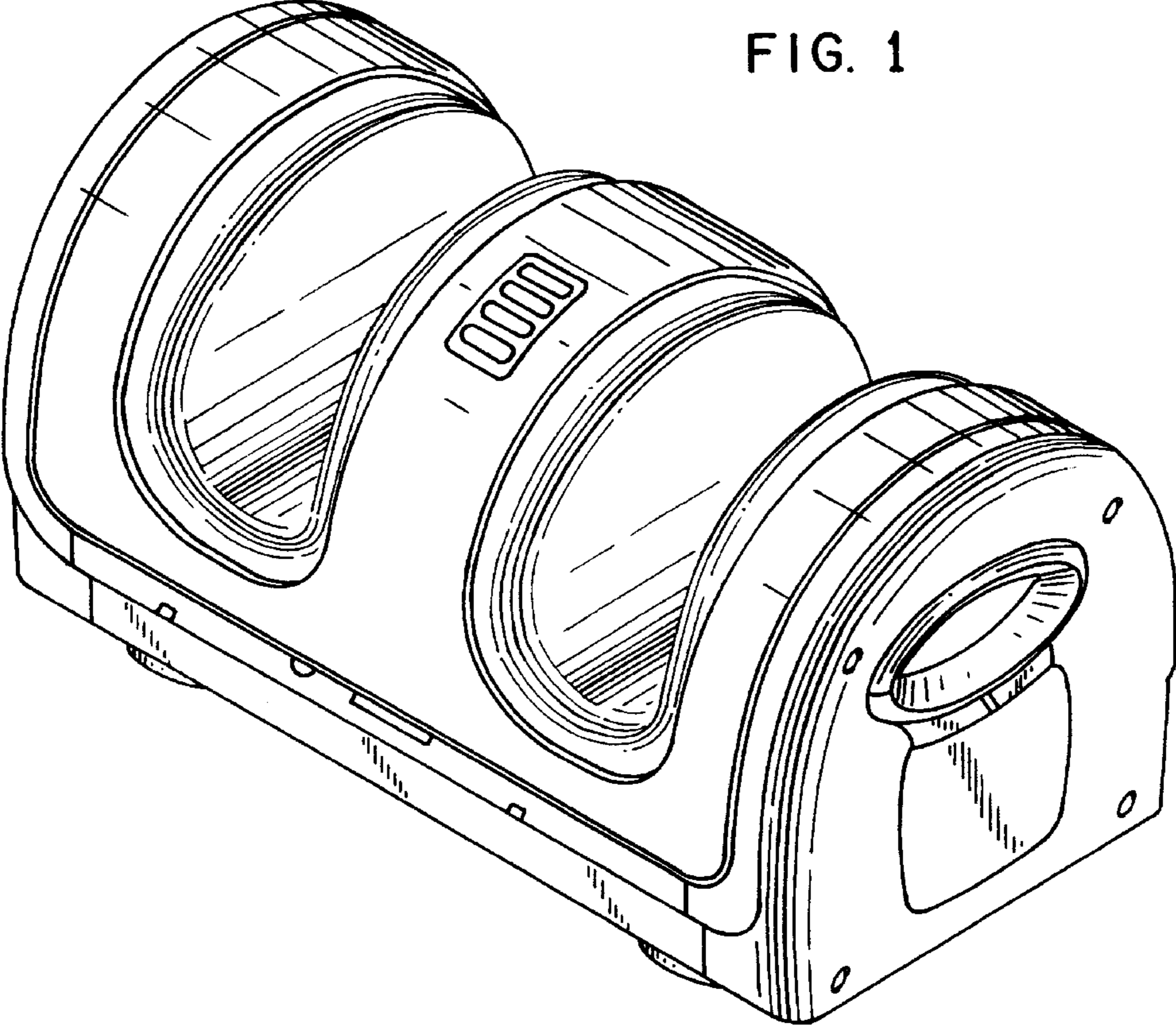


FIG. 2

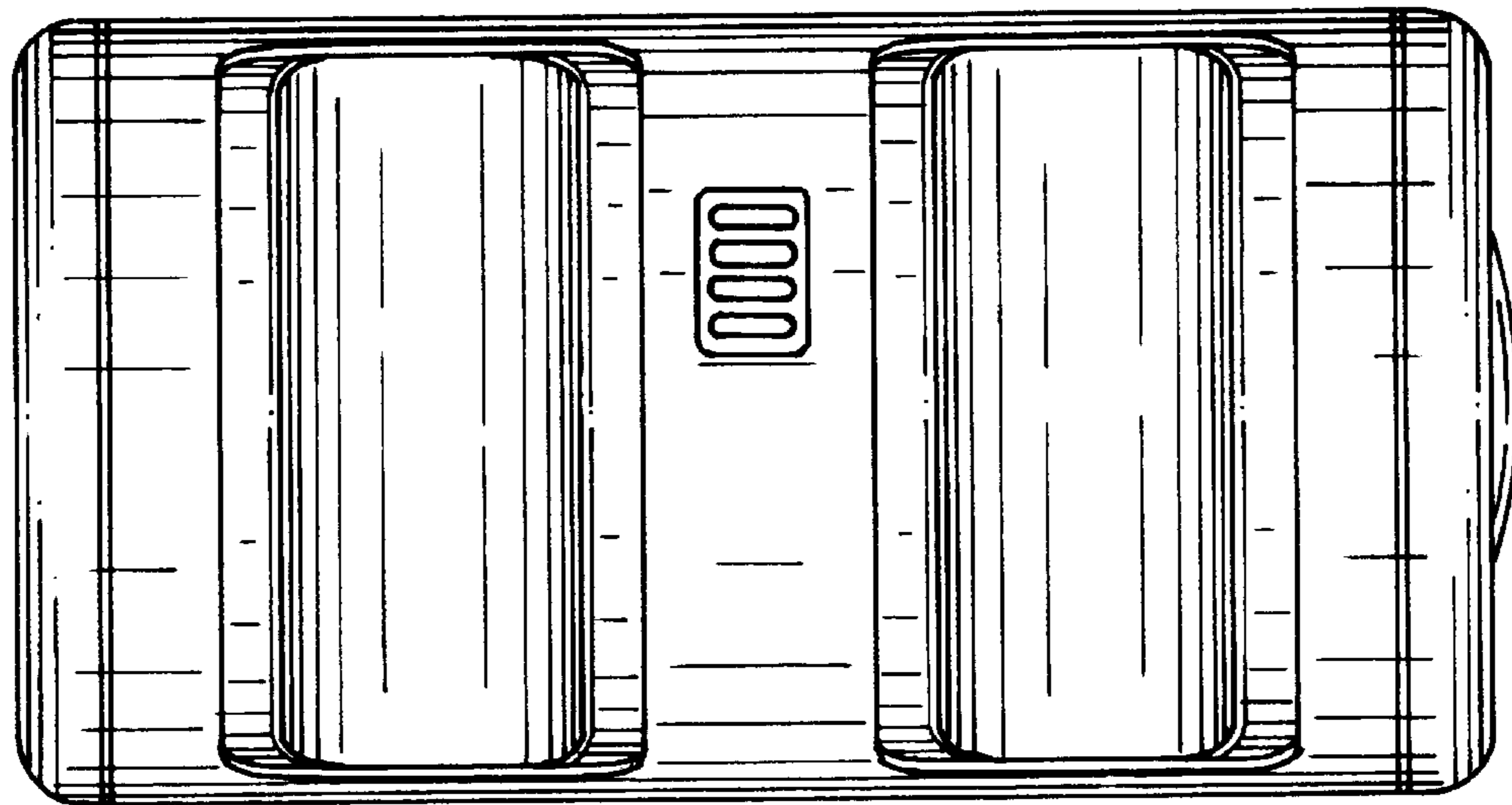


FIG. 3

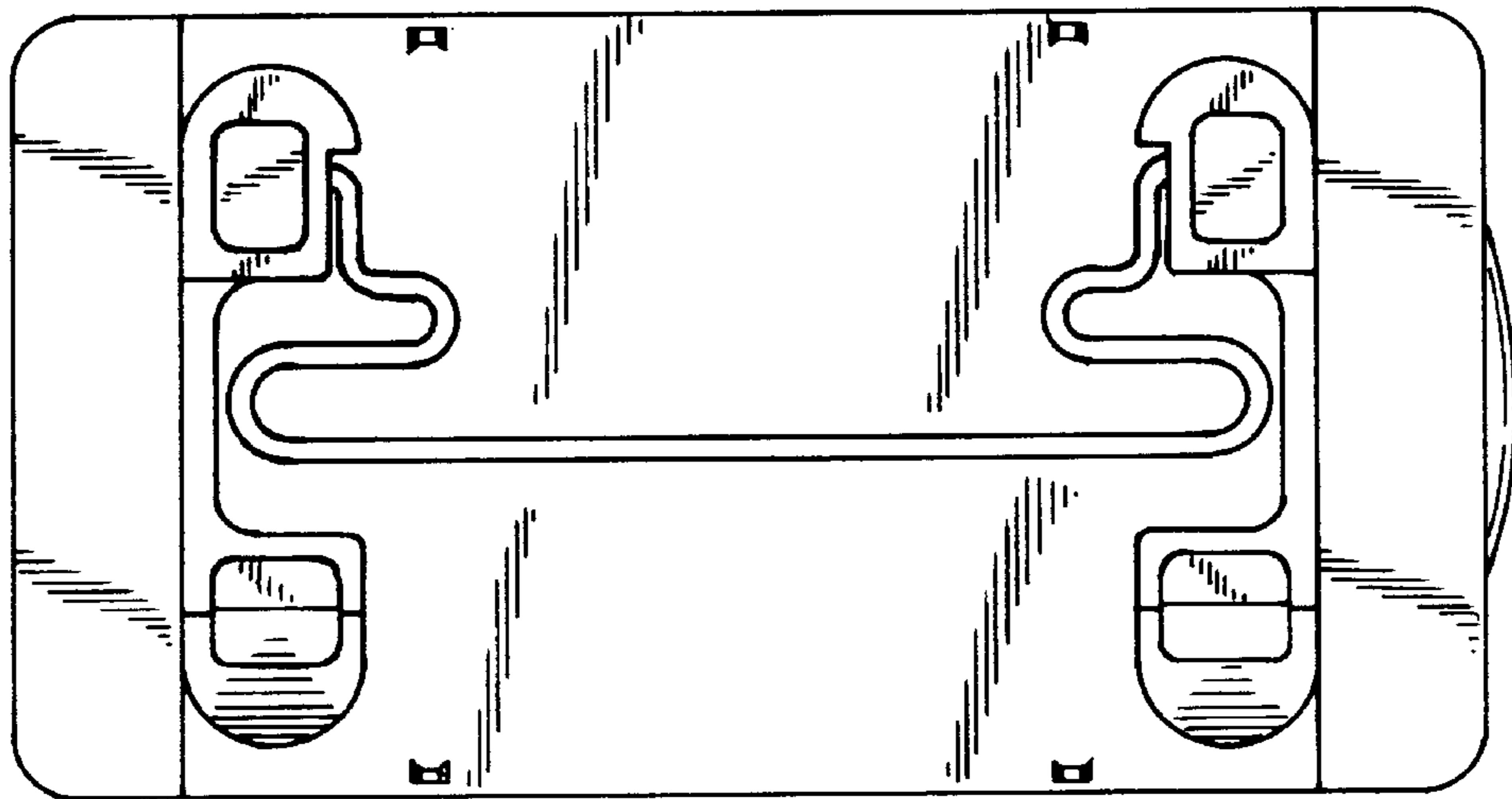


FIG. 4

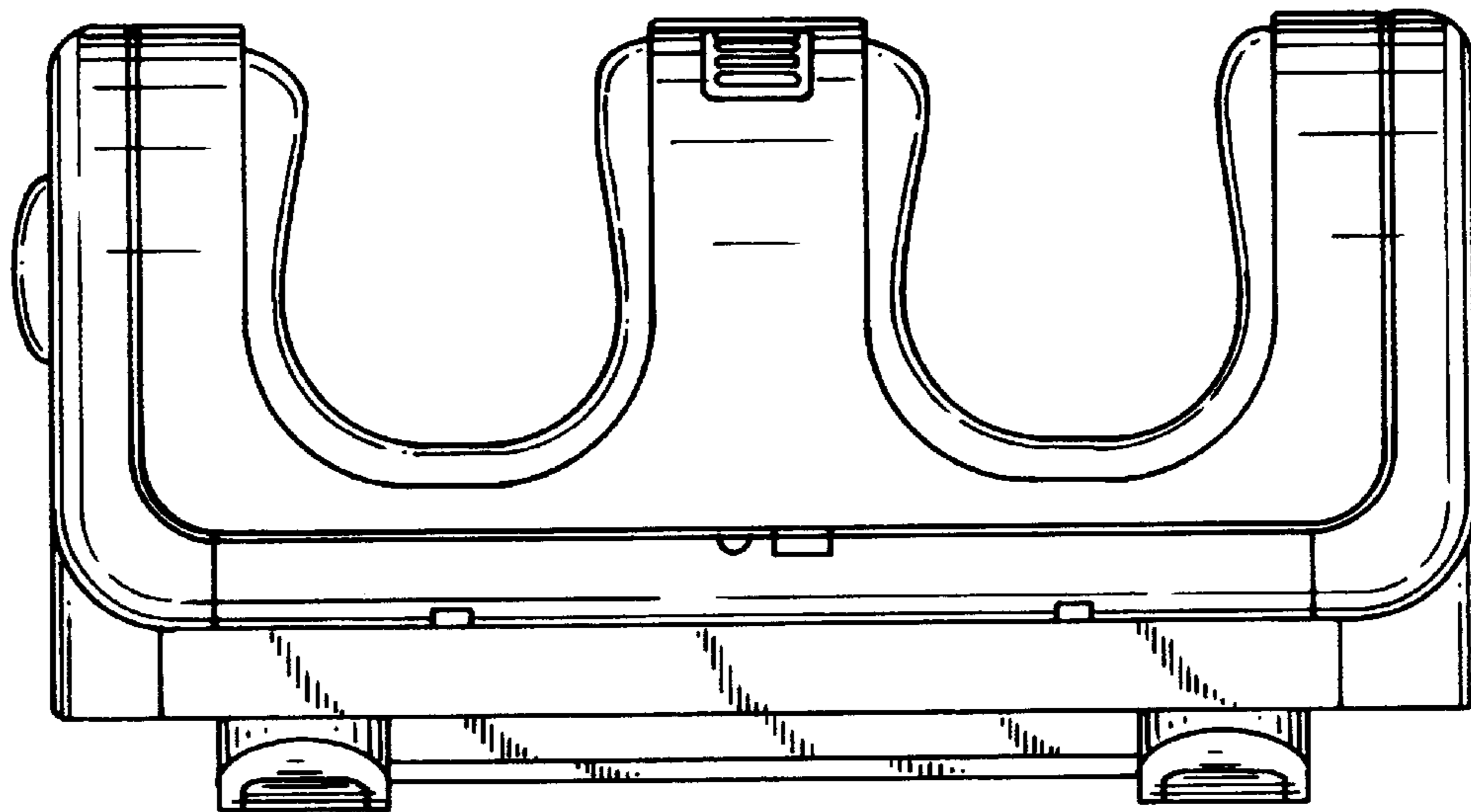


FIG. 5

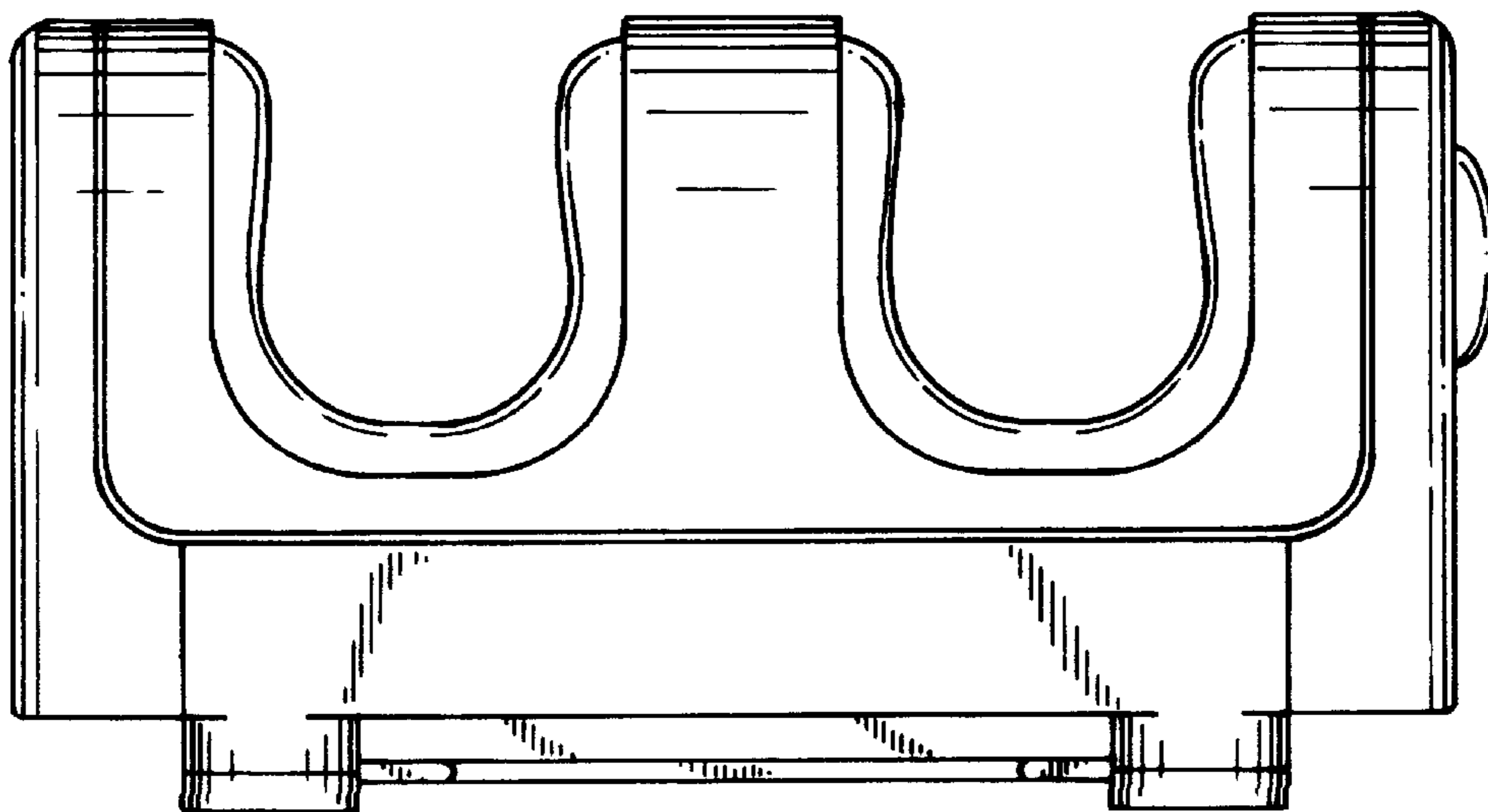


FIG. 6

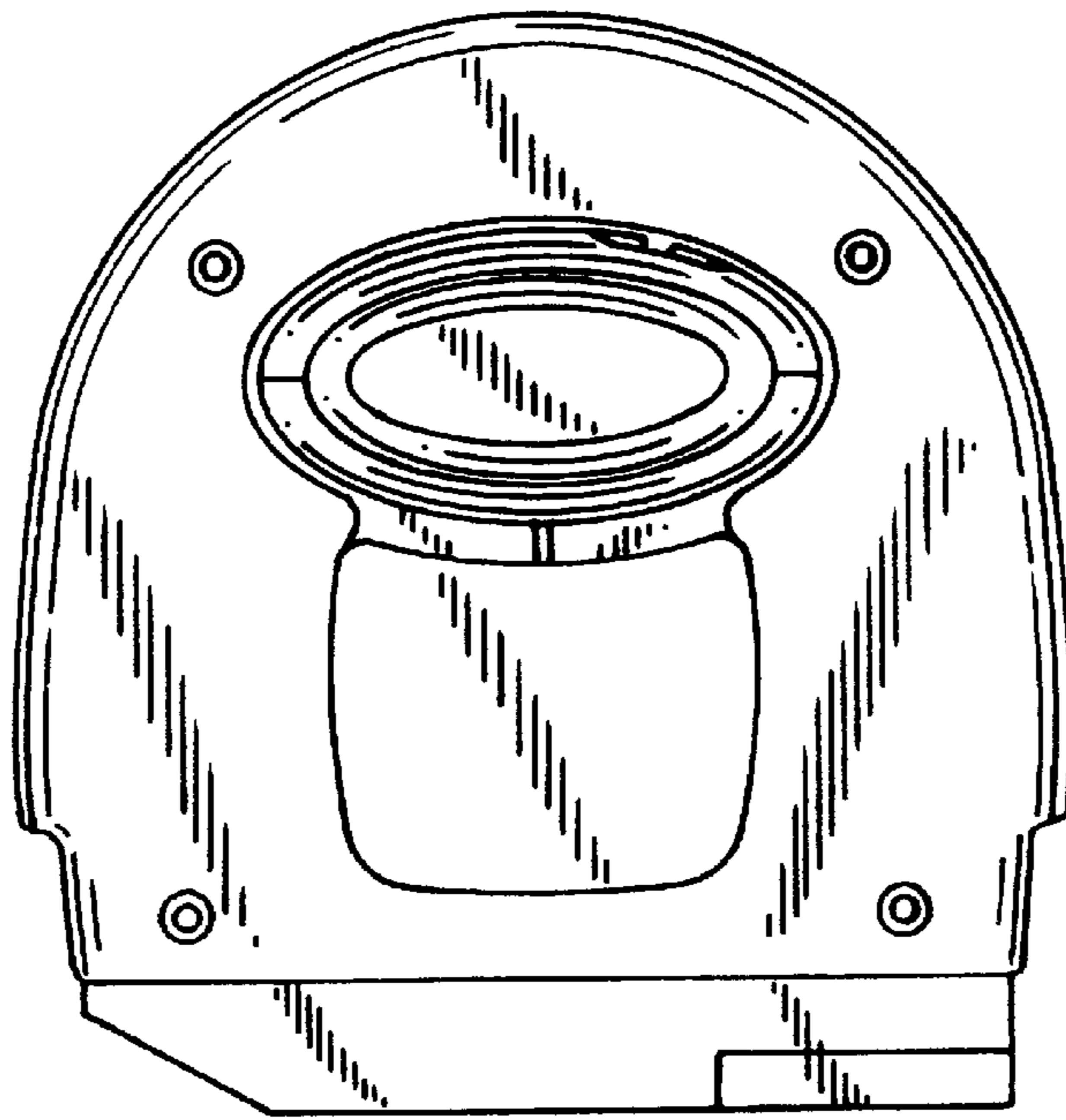


FIG. 7

