



US00D524941S

(12) **United States Design Patent**  
**Dixon et al.**

(10) **Patent No.:** **US D524,941 S**  
(45) **Date of Patent:** **\*\* Jul. 11, 2006**

(54) **ABSORBABLE THREADED BONE CAGE IMPLANT**

(76) Inventors: **Robert A. Dixon**, 10577 Durham Pl., Powell, OH (US) 43221; **Donald Hackman**, 3499 Kirkham Rd., Upper Arlington, OH (US) 43221

(\*\*) Term: **14 Years**

(21) Appl. No.: **29/190,061**

(22) Filed: **Sep. 15, 2003**

(51) **LOC (8) Cl.** ..... **24-03**

(52) **U.S. Cl.** ..... **D24/155**

(58) **Field of Classification Search** ..... D24/155;  
623/1.2, 1.3, 16; 606/60-61, 72-73, 87, 90,  
606/98, 99

See application file for complete search history.

(56) **References Cited**

**U.S. PATENT DOCUMENTS**

D377,095 S 12/1996 Michelson  
6,368,322 B1 4/2002 Luks et al.  
D461,248 S \* 8/2002 Bianchi et al. .... D24/155

6,443,990 B1 \* 9/2002 Aebi et al. .... 623/17.16  
2002/0116008 A1 \* 8/2002 Lin et al. .... 606/99  
2004/0034403 A1 \* 2/2004 Schmitt ..... 623/1.2

\* cited by examiner

*Primary Examiner*—Antoine D. Davis

(57) **CLAIM**

The ornamental design for an absorbable threaded bone cage implant, as shown and described.

**DESCRIPTION**

FIG. 1 is a left side perspective view of the implant, showing the absorbable threaded bone cage implant, the bone growth enhancer containment hole, and the screw driving holes in the front end.

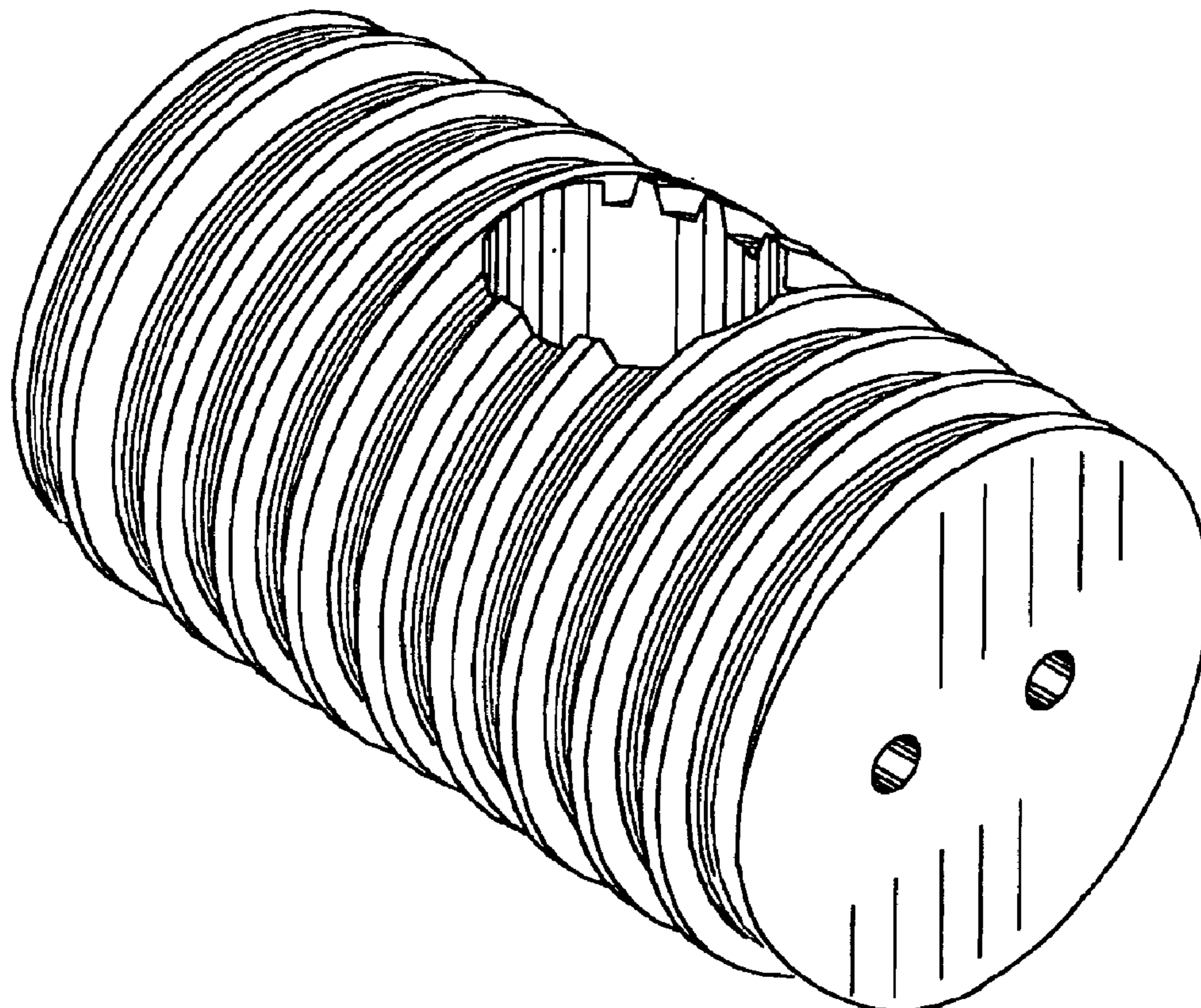
FIG. 2 is a top view, showing the bone growth enhancer hole.

FIG. 3 is a front view, showing the screw driving holes and the thread starting locations.

FIG. 4 is a side view, showing the reduction in diameter at the hole edges; and,

FIG. 5 is a back view, showing the two thread runout ends.

**1 Claim, 3 Drawing Sheets**



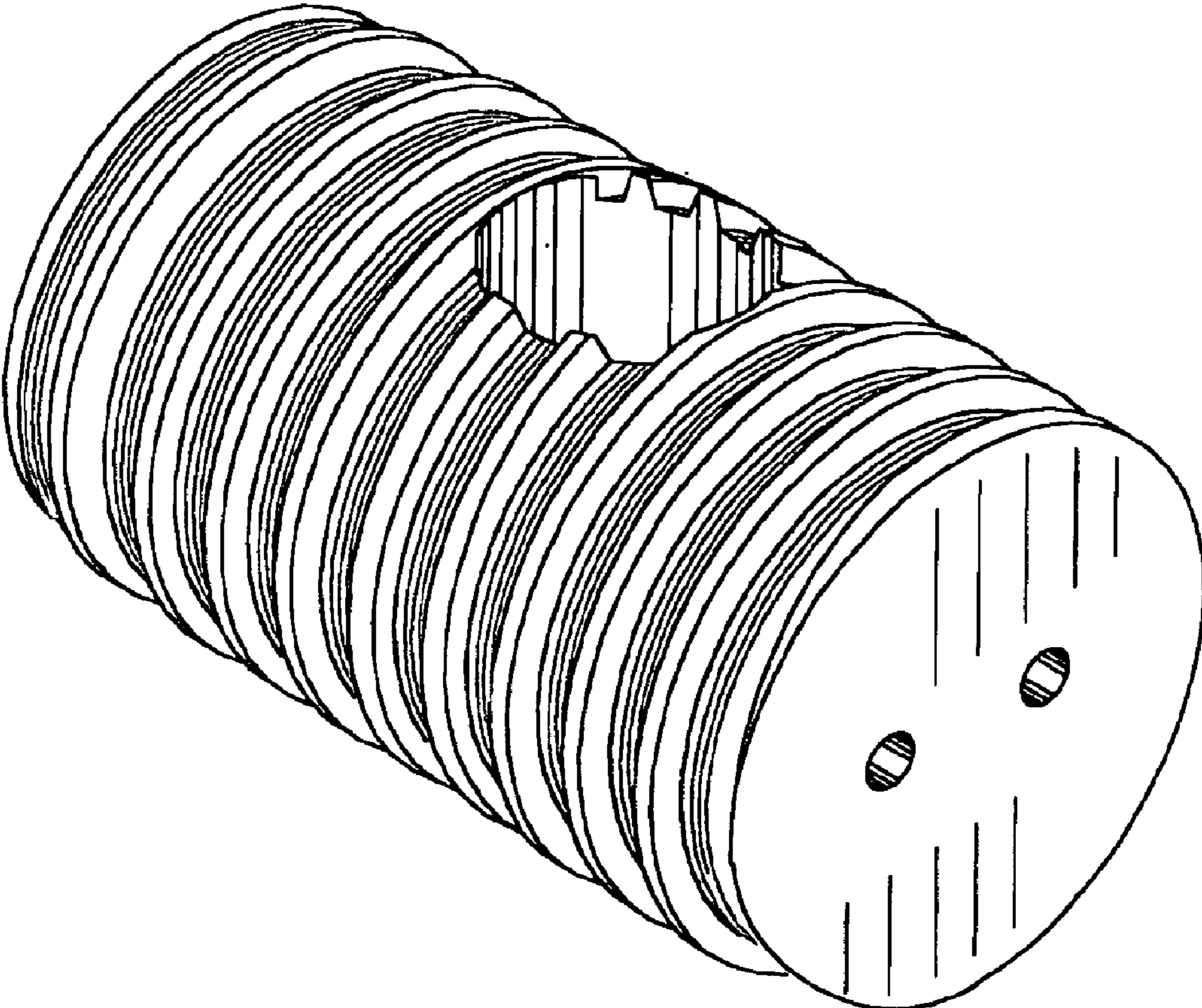
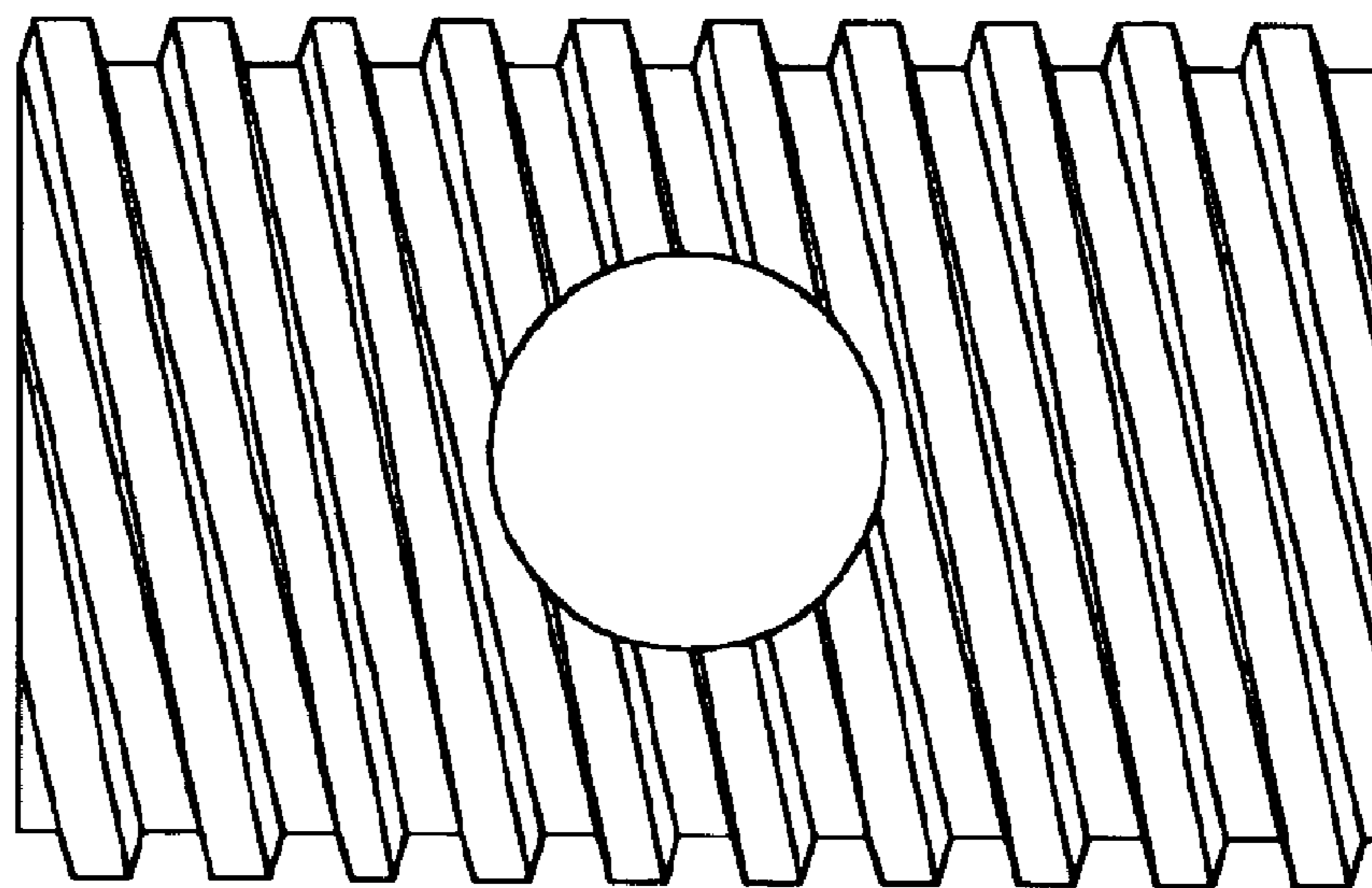
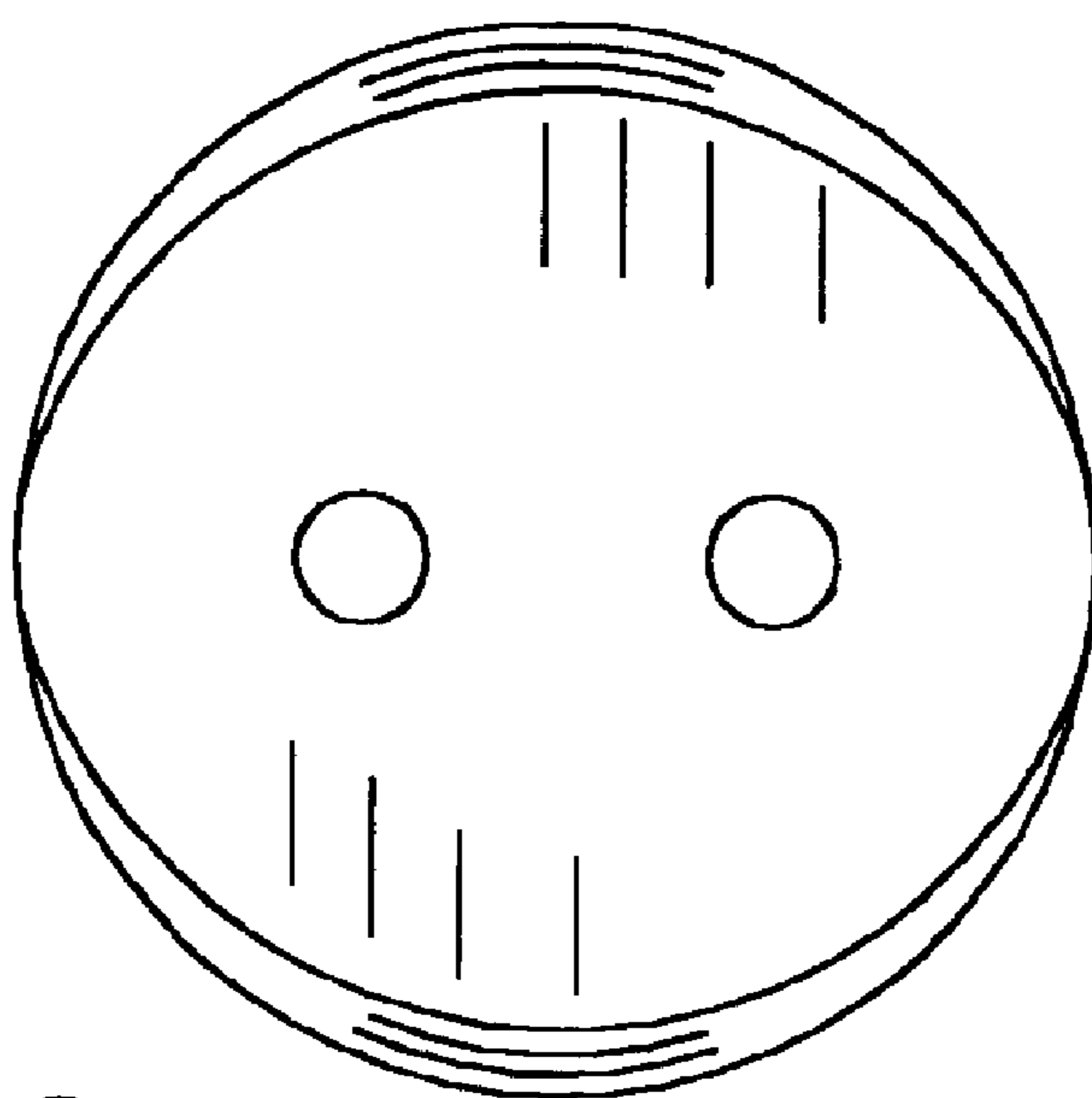


FIG. 1



**FIG. 2**



**FIG. 3**

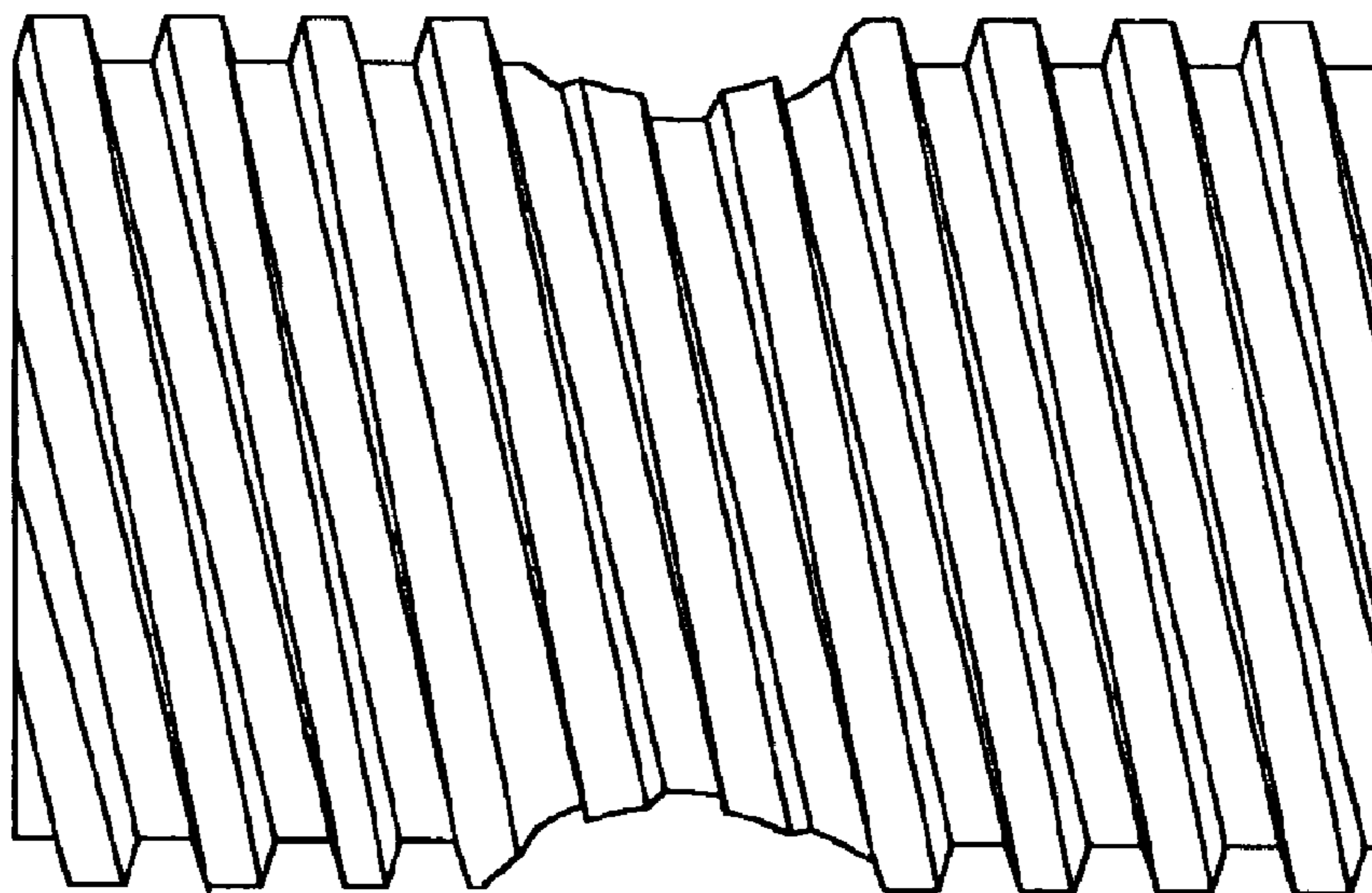


FIG. 4

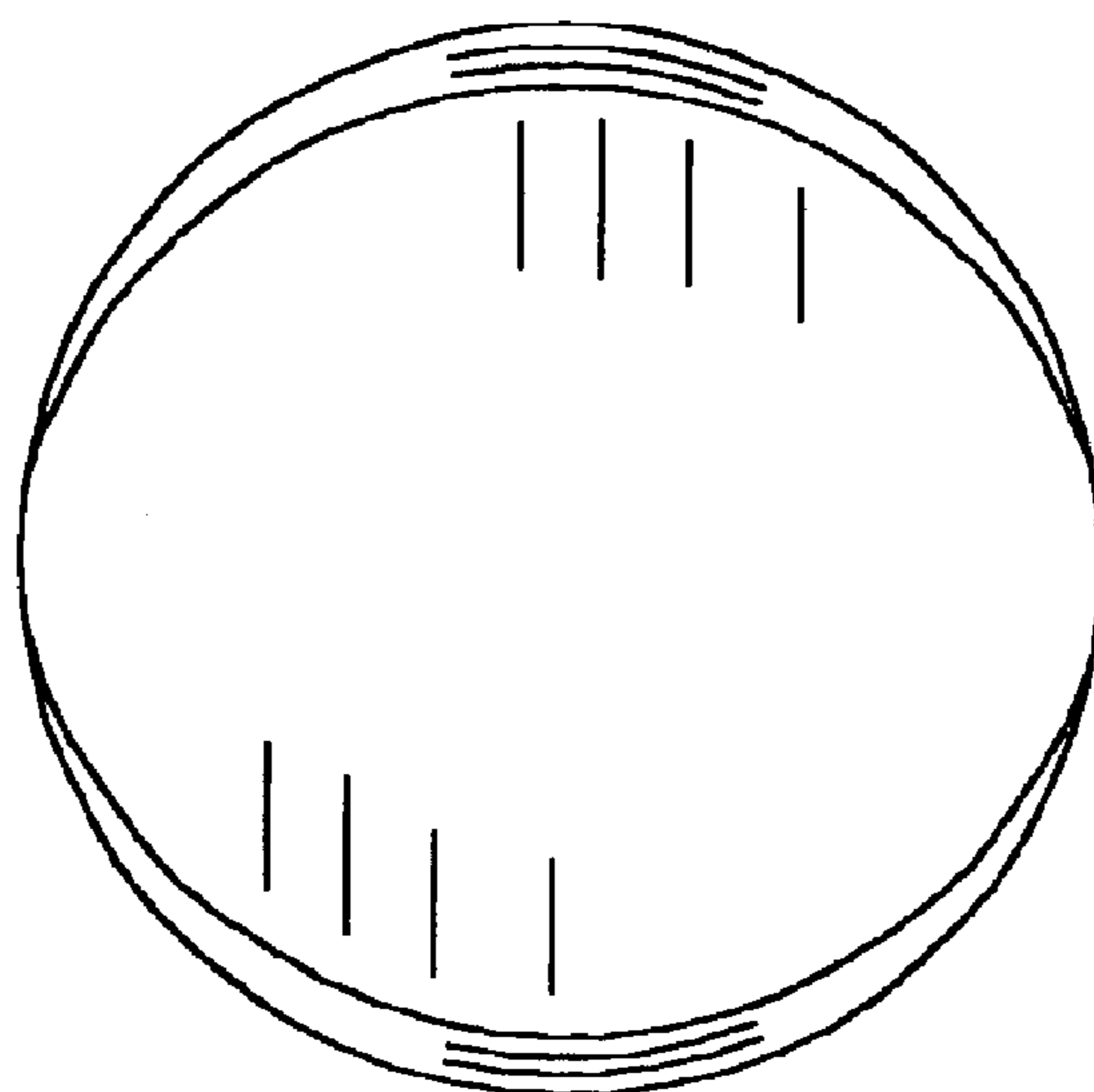


FIG. 5