



US00D524940S

(12) **United States Design Patent**  
**Costa et al.**

(10) **Patent No.:** **US D524,940 S**  
(45) **Date of Patent:** **\*\* Jul. 11, 2006**

(54) **COMBINED LIGHT ASSEMBLY AND REFLEX MEASURING TOOL**

6,966,400 B1 \* 11/2005 Rollins et al. .... 181/131

\* cited by examiner

(75) Inventors: **Richard Costa**, Bedminster, NJ (US);  
**Matthew T. Coe**, Annandale, NJ (US);  
**Hung Mach**, Flushing, NY (US)

*Primary Examiner*—Ian Simmons

*Assistant Examiner*—Christopher Lee

(74) *Attorney, Agent, or Firm*—Watson & Kipnes, P.C.

(73) Assignee: **PharmaDesign Inc.**, Warren, NJ (US)

(57) **CLAIM**

(\*\*) Term: **14 Years**

The ornamental design for a combined light assembly and reflex measuring tool, as shown and described.

(21) Appl. No.: **29/234,592**

**DESCRIPTION**

(22) Filed: **Jul. 20, 2005**

(51) **LOC (8) Cl.** ..... **24-02**

FIG. 1 is a perspective view showing the top right and front of a light assembly and reflex measuring tool for connection to a stethoscope;

(52) **U.S. Cl.** ..... **D24/134**

FIG. 2 is a perspective view showing the bottom right and rear thereof;

(58) **Field of Classification Search** ..... D24/134;  
D26/39; 181/131; 362/157, 158, 171, 172,  
362/173, 183; 600/528

FIG. 3 is a top plan view thereof;

FIG. 4 is a right side elevational view thereof;

FIG. 5 is a front elevational view thereof;

FIG. 6 is a rear elevational view thereof;

FIG. 7 is an exploded view thereof; and,

FIG. 8 is an exploded view thereof.

See application file for complete search history.

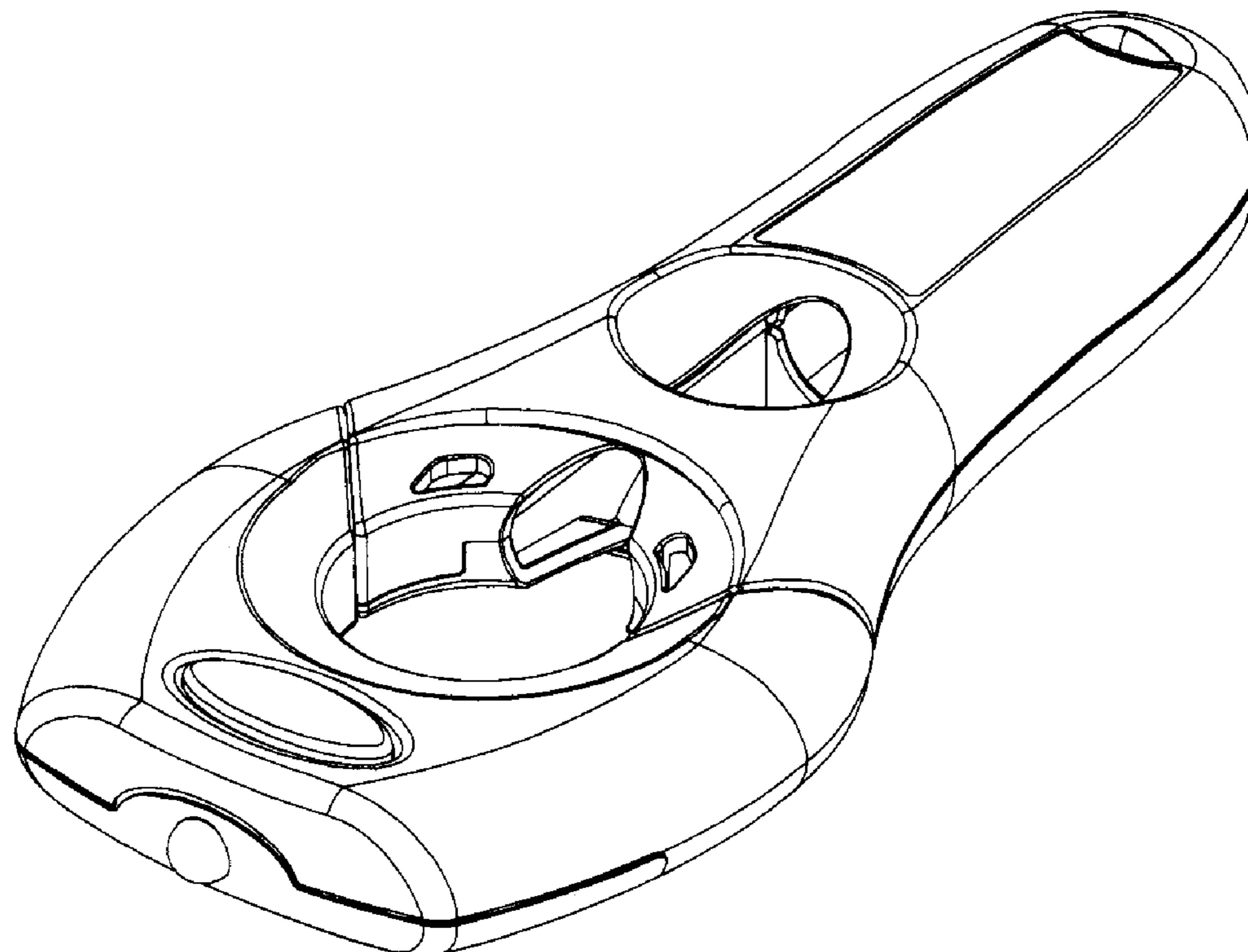
The broken line showing of the stethoscope is for illustrated purposes only and forms no part of the claim design.

(56) **References Cited**

**U.S. PATENT DOCUMENTS**

D483,860 S \* 12/2003 Knoch ..... D24/110  
D490,923 S \* 6/2004 Costa et al. .... D26/39  
6,932,186 B1 \* 8/2005 Costa et al. .... 181/131

**1 Claim, 5 Drawing Sheets**



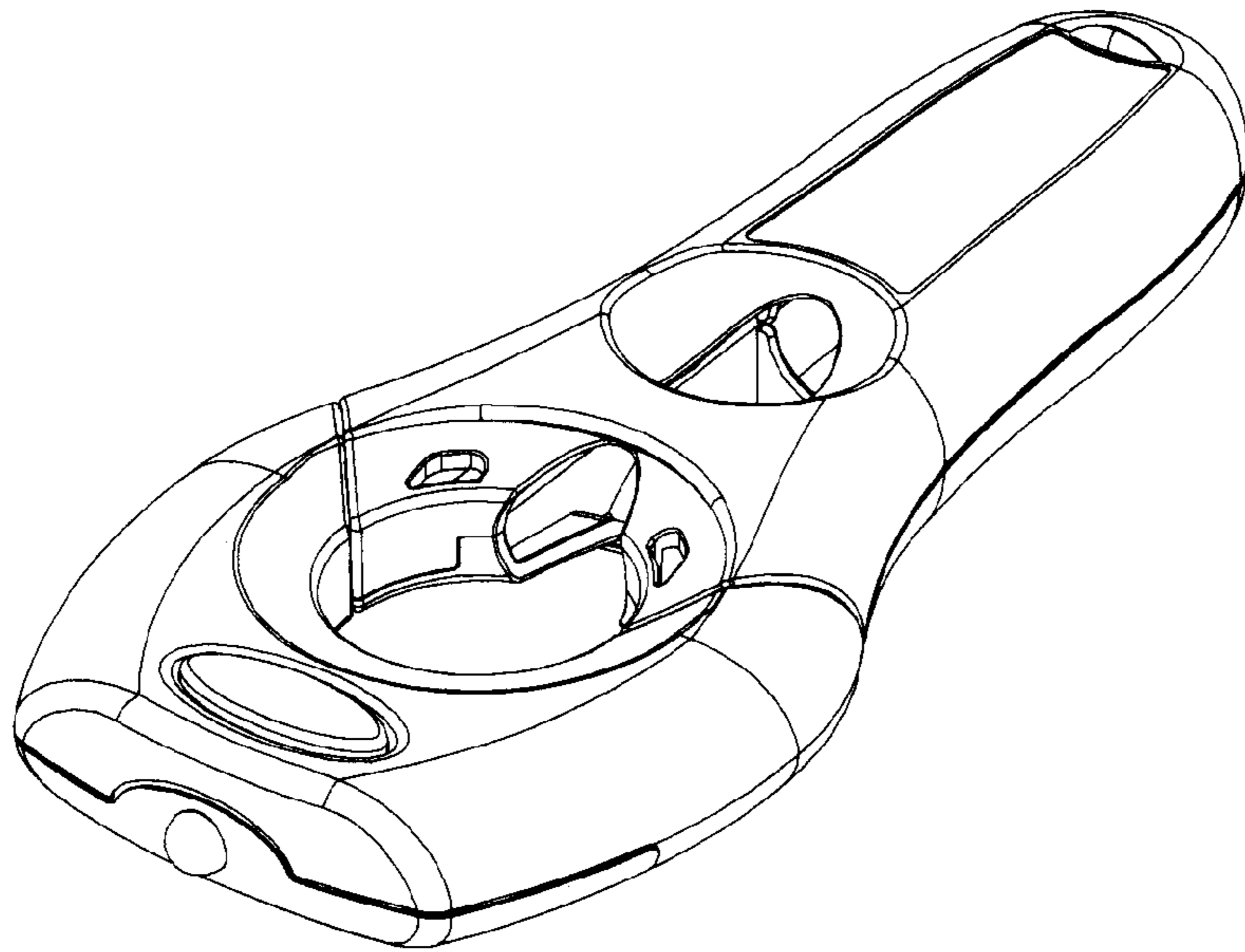


Figure 1

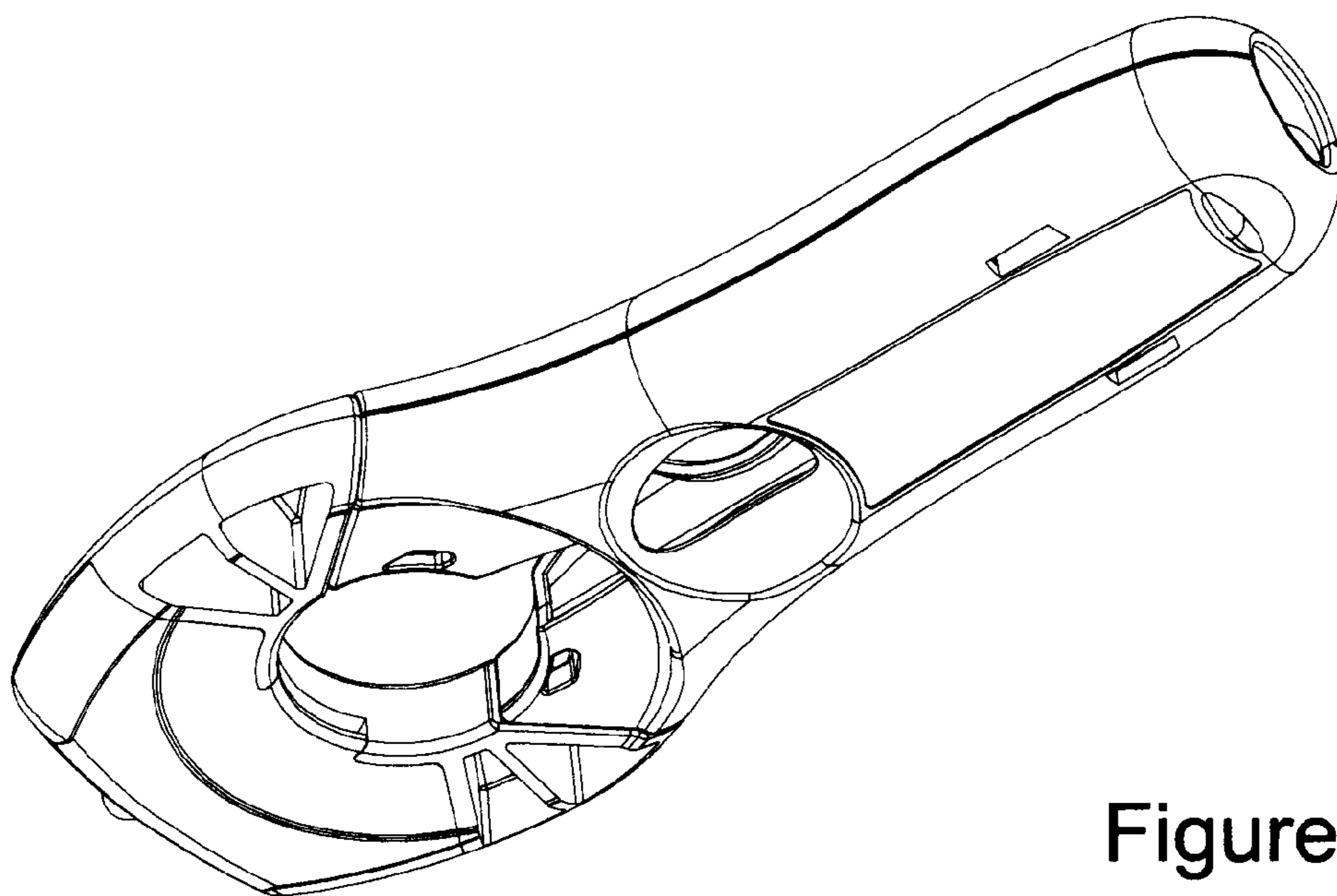


Figure 2

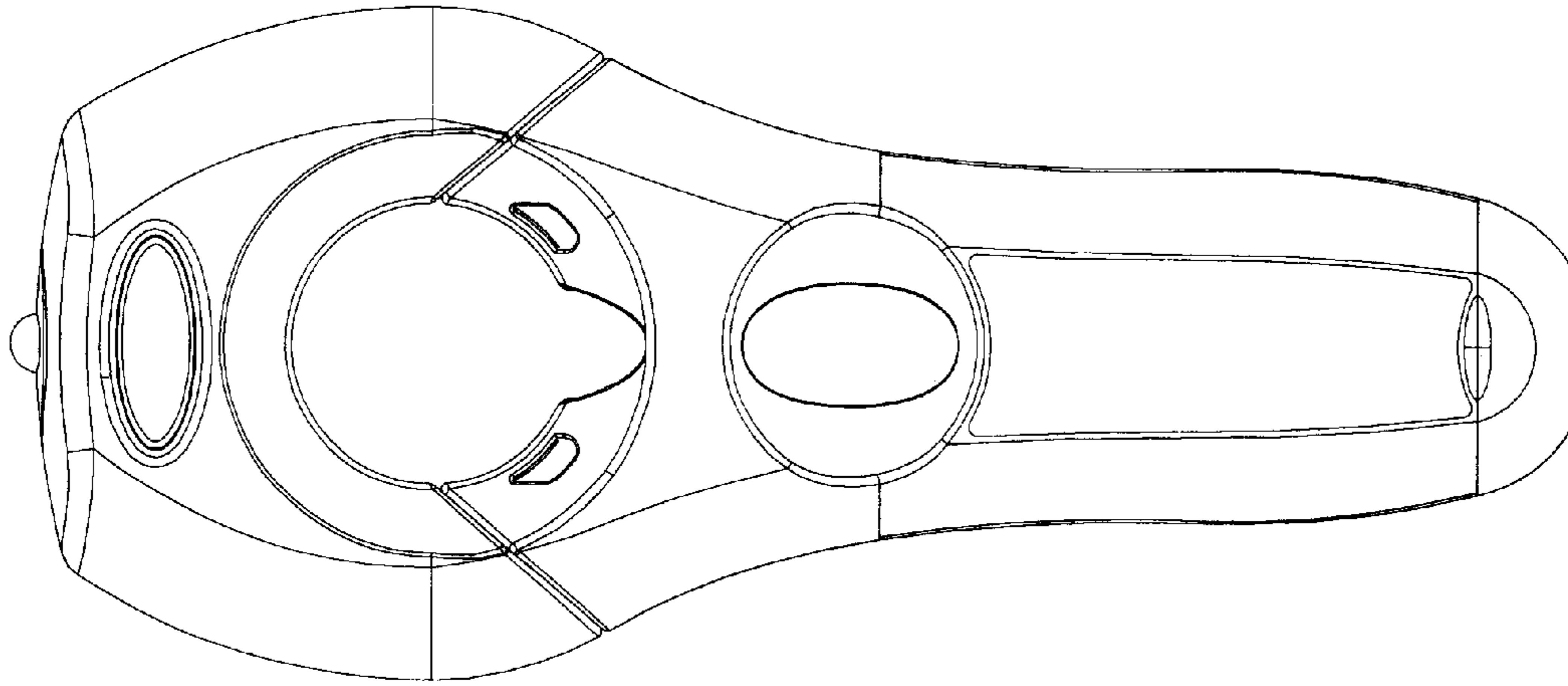


Figure 3

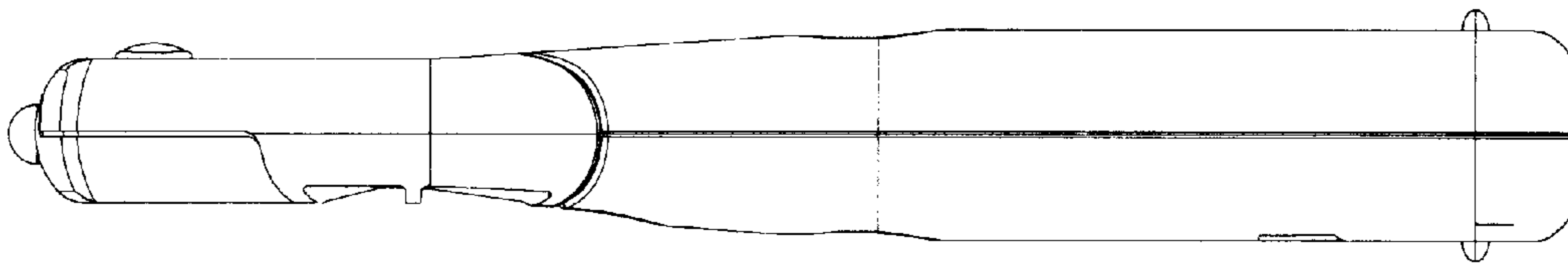


Figure 4

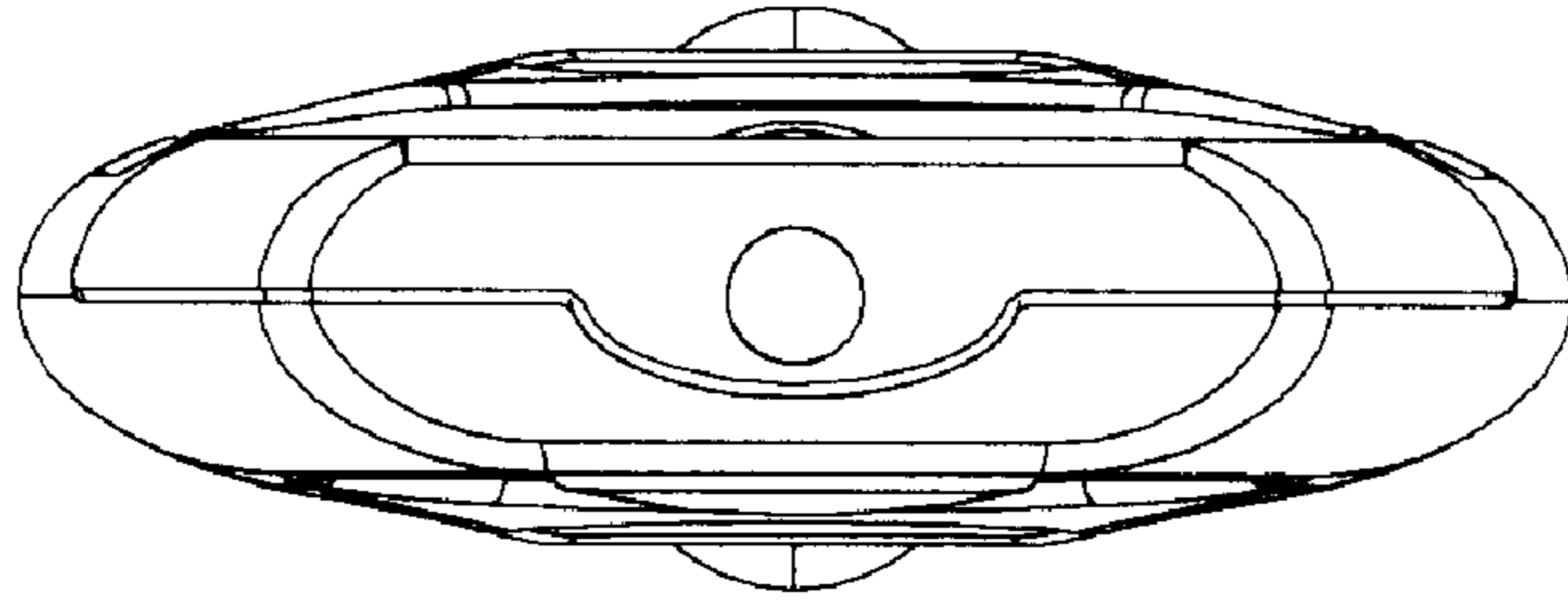


Figure 5

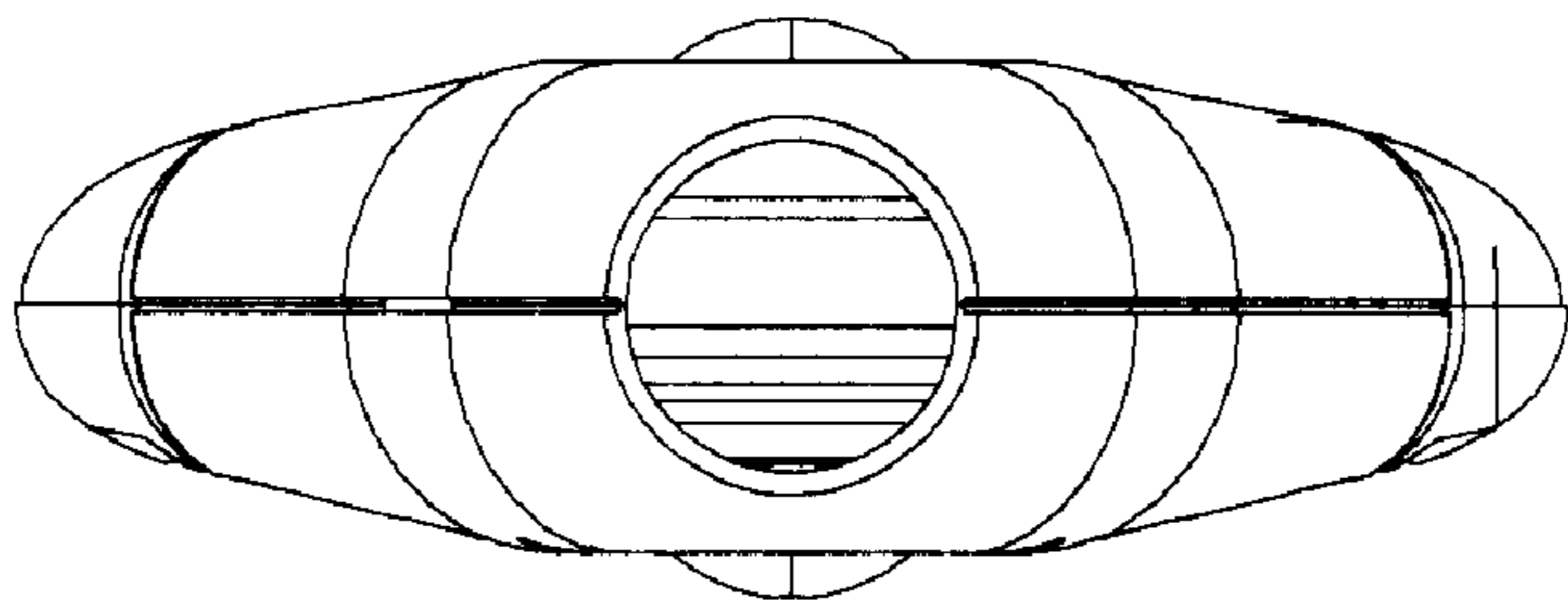


Figure 6

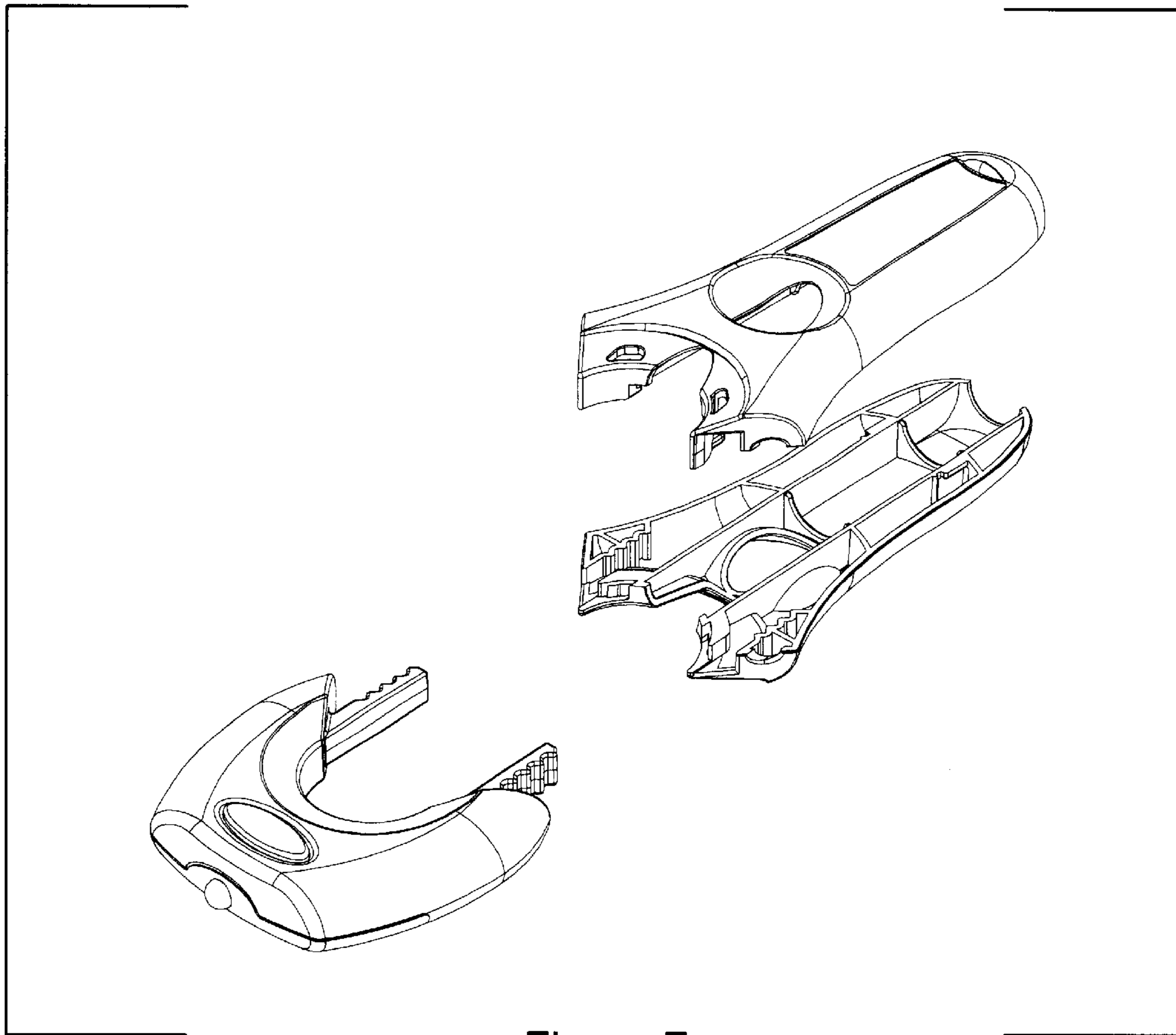


Figure 7



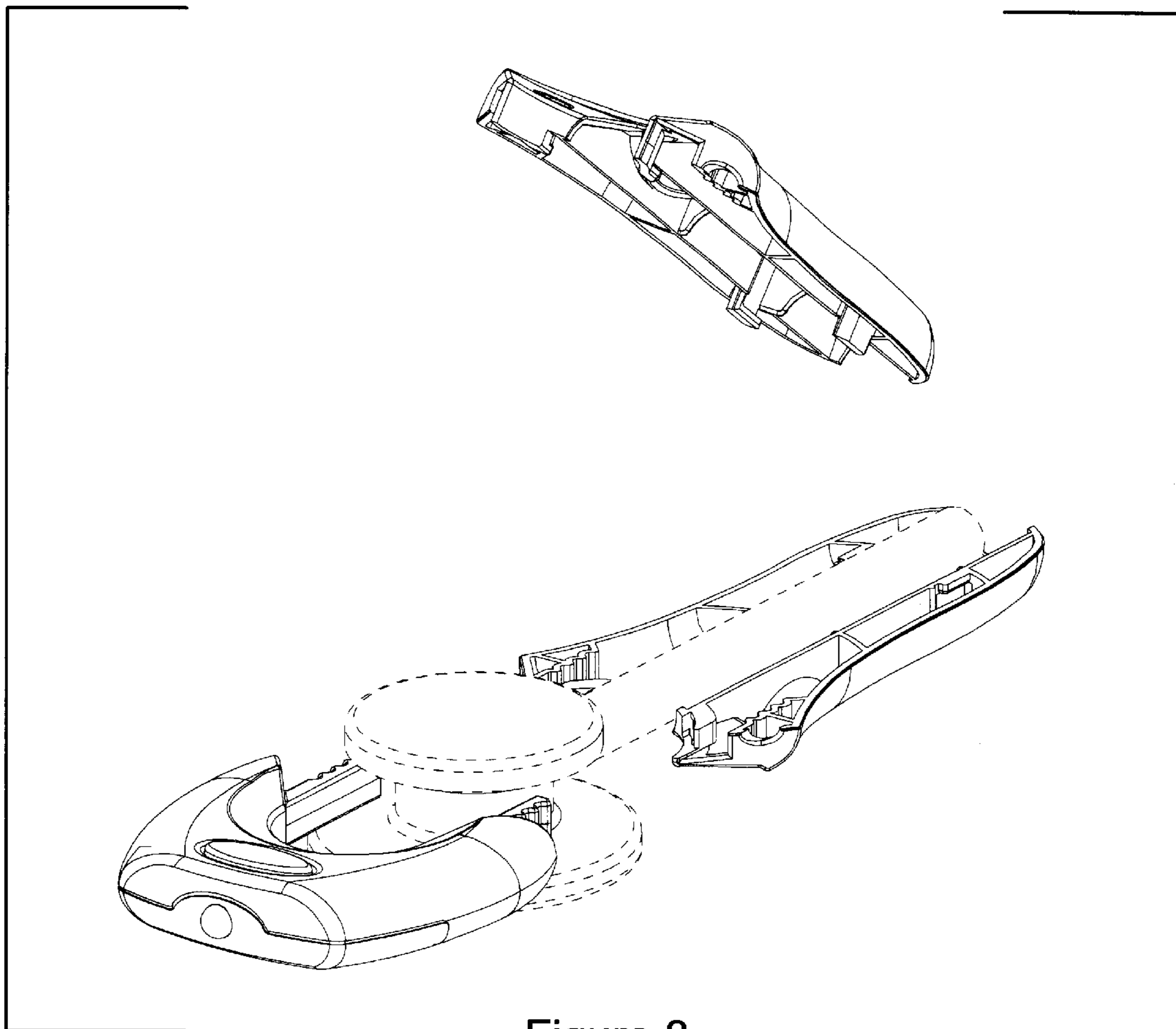


Figure 8