

US00D524937S

(12) **United States Design Patent**
Doty et al.

(10) **Patent No.:** **US D524,937 S**

(45) **Date of Patent:** **** Jul. 11, 2006**

(54) **HEARING PROTECTION DEVICE**

(75) Inventors: **Marc Doty**, Brownsburg, IN (US);
Richard Knauer, Carmel, IN (US)

(73) Assignee: **Cabot Safety Intermediate Corporation**, Newark, DE (US)

(**) Term: **14 Years**

(21) Appl. No.: **29/204,061**

(22) Filed: **Apr. 23, 2004**

(51) **LOC (8) Cl.** **24-04**

(52) **U.S. Cl.** **D24/106**

(58) **Field of Classification Search** D24/106;
128/854, 857, 865, 866, 867, 868; 181/129,
181/130, 131, 135

See application file for complete search history.

(56) **References Cited**

U.S. PATENT DOCUMENTS

D242,743 S * 12/1976 Leight D24/106

D307,325 S * 4/1990 Gardner, Jr. D24/106
5,044,463 A * 9/1991 Carr 181/135
5,668,354 A * 9/1997 Falco 181/135

* cited by examiner

Primary Examiner—Ian Simmons

Assistant Examiner—Christopher Lee

(74) *Attorney, Agent, or Firm*—Cantor Colburn LLP

(57) **CLAIM**

The ornamental design for a hearing protection device, as shown and described.

DESCRIPTION

FIG. 1 is a first perspective view of our new hearing protection device;

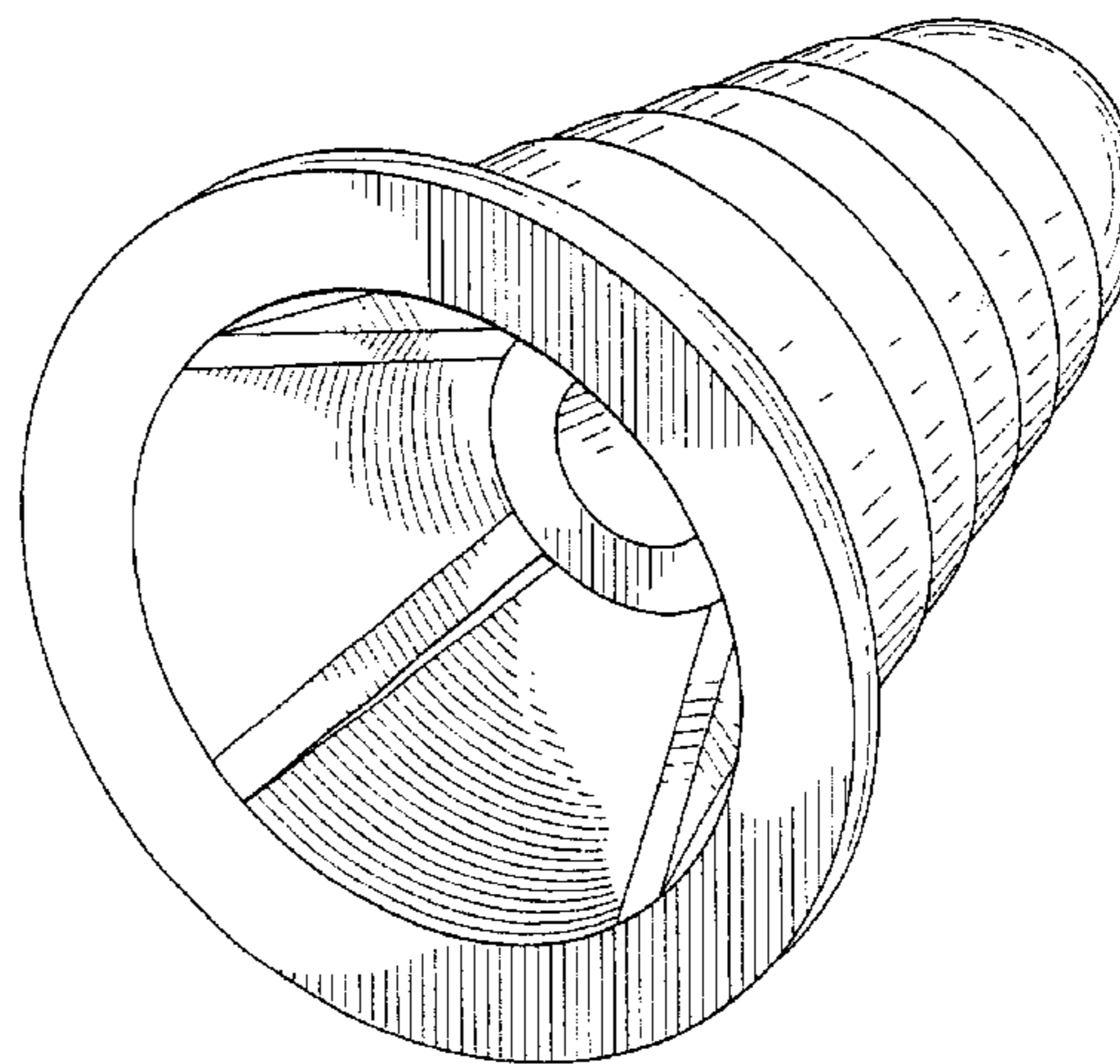
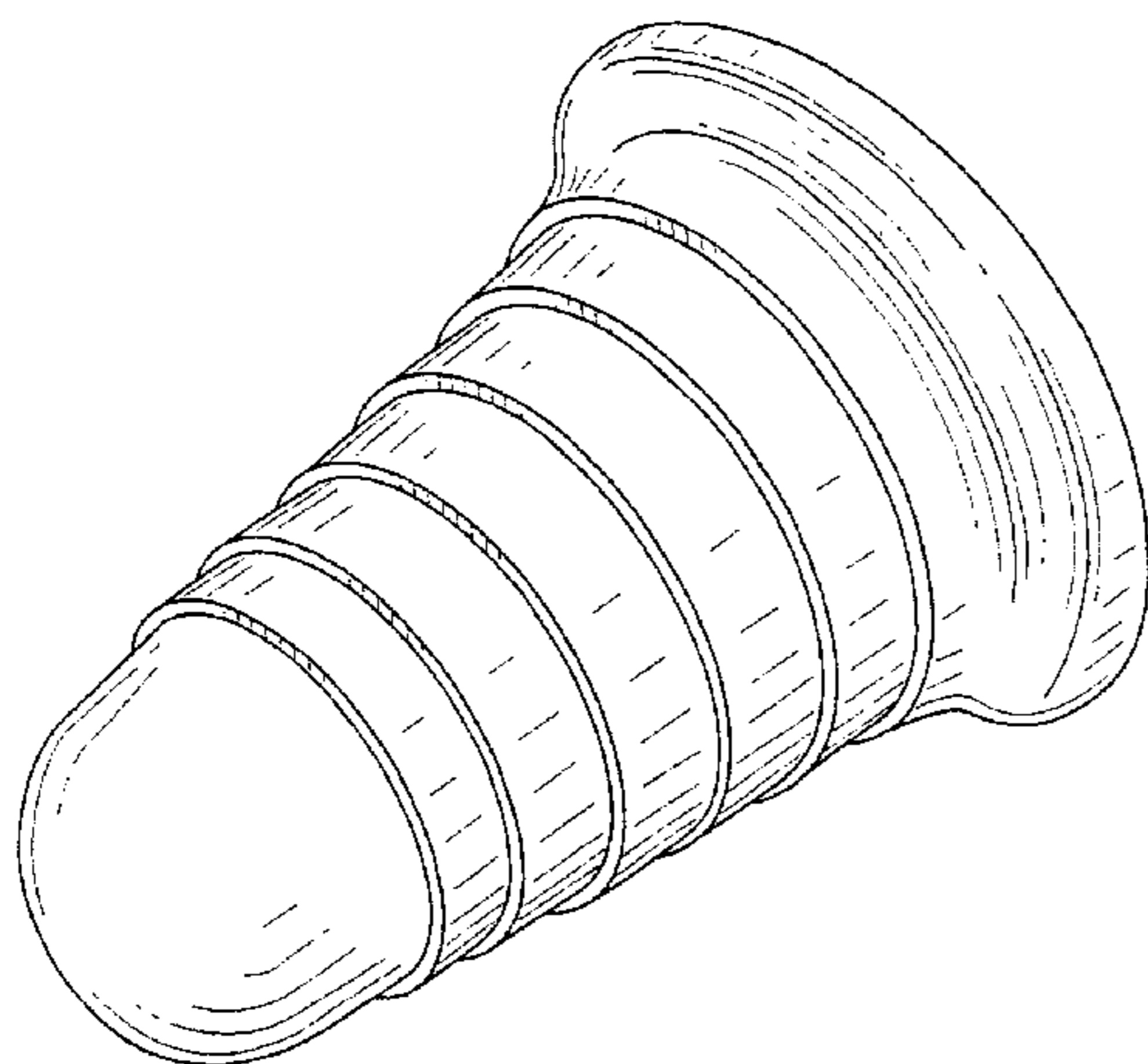
FIG. 2 is a second perspective view thereof;

FIG. 3 is a side elevational view thereof;

FIG. 4 is a top plan view thereof; and,

FIG. 5 is a bottom plan view.

1 Claim, 4 Drawing Sheets



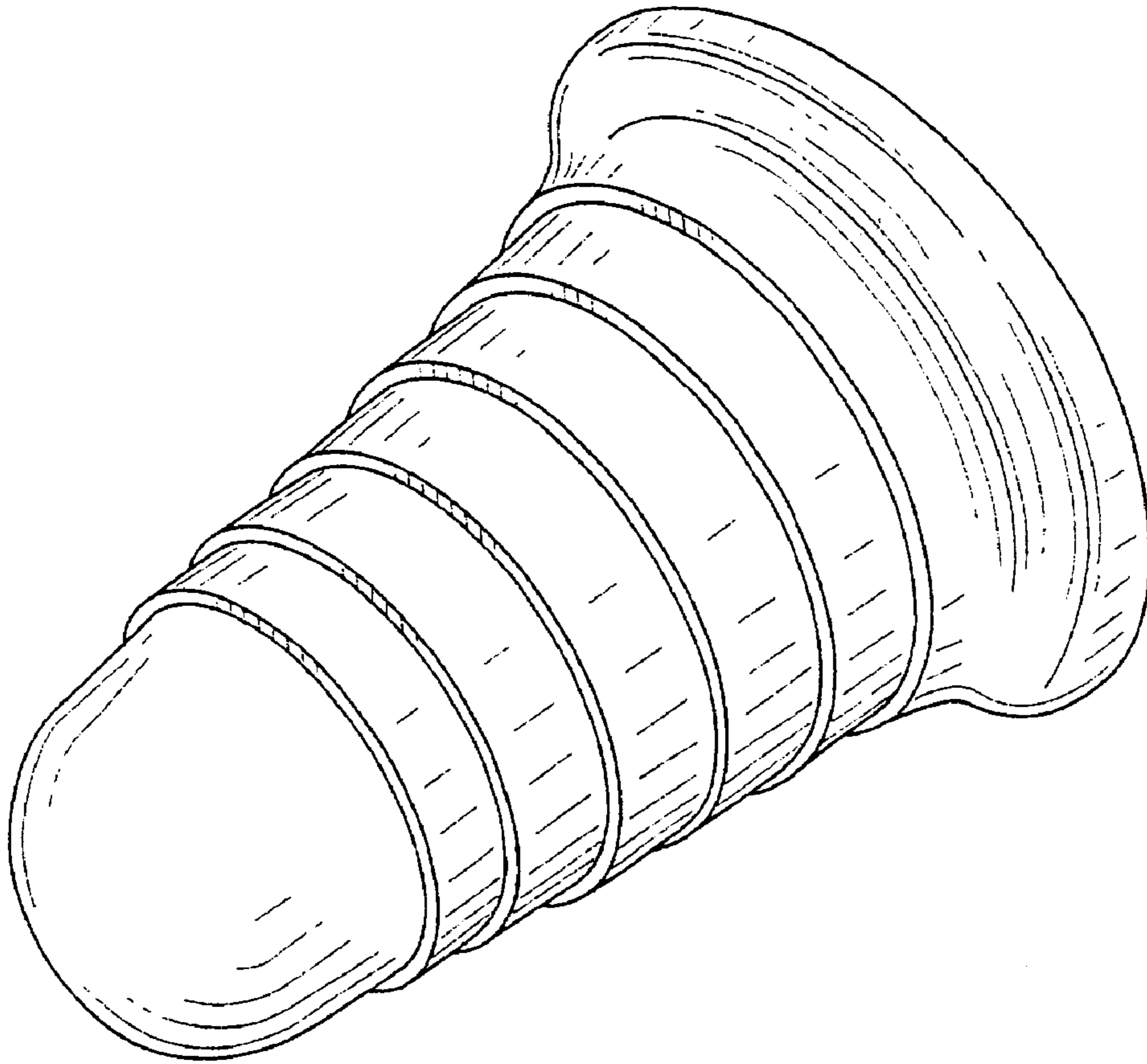


FIG. 1

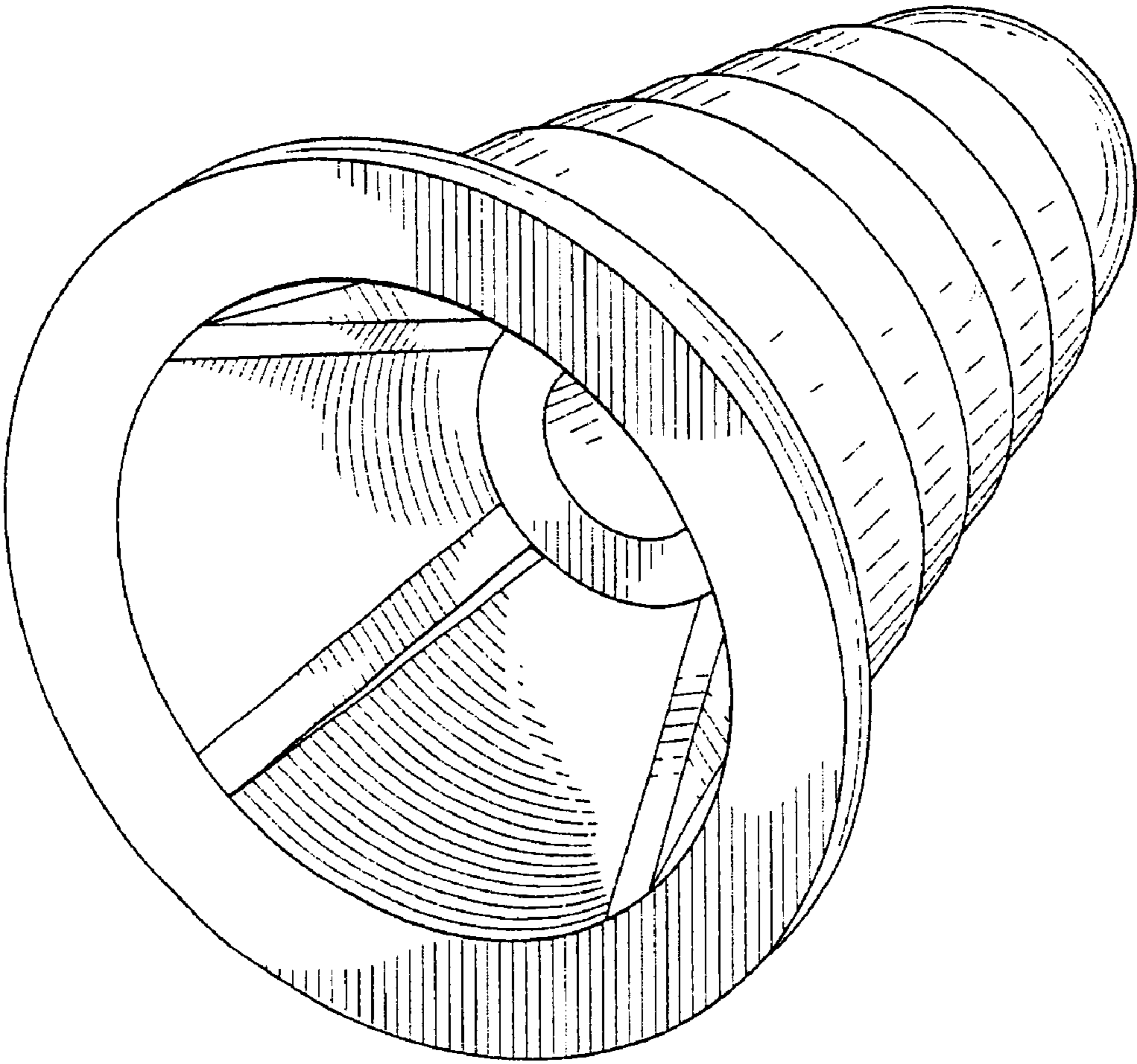


FIG. 2

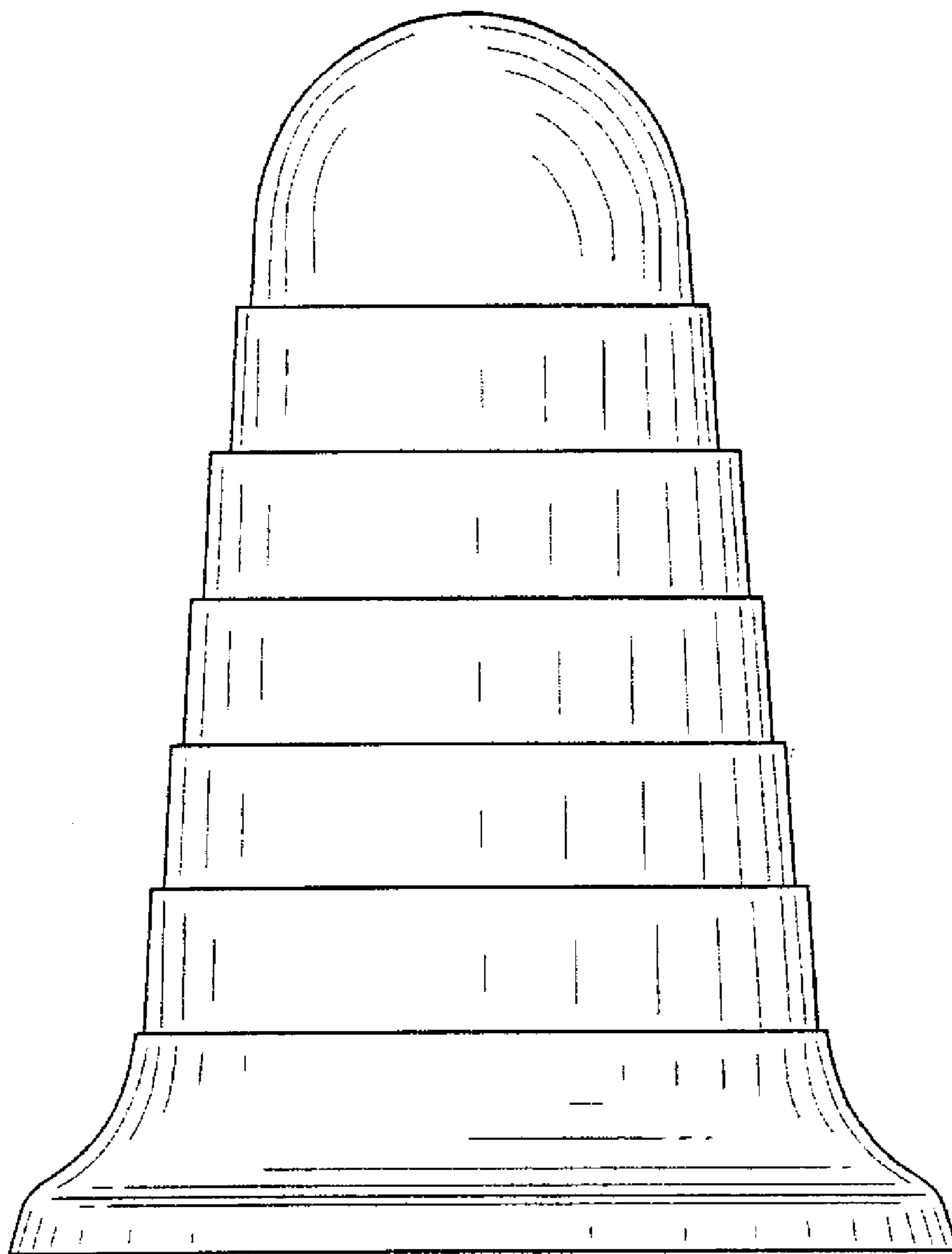


FIG. 3

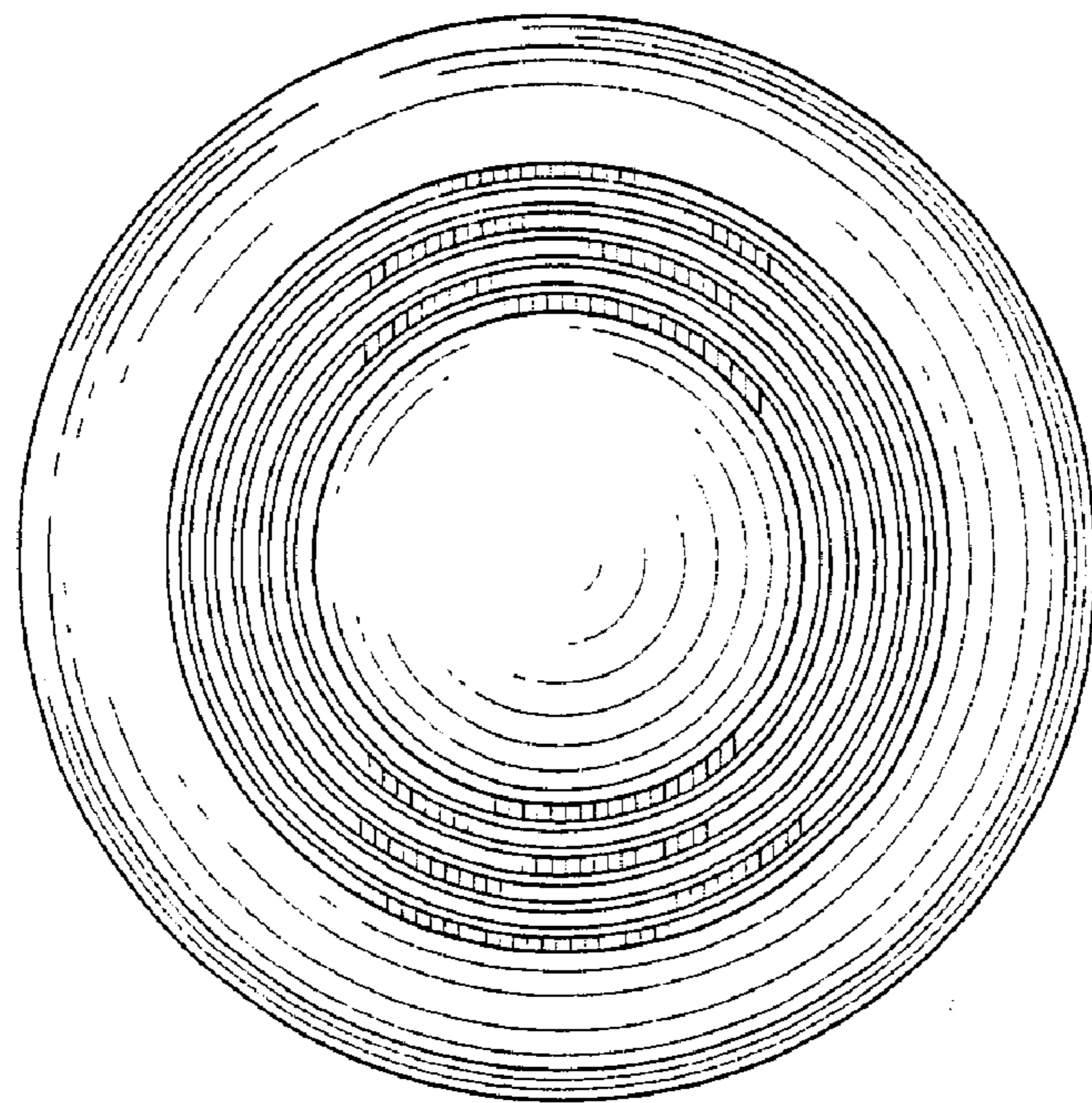


FIG. 4

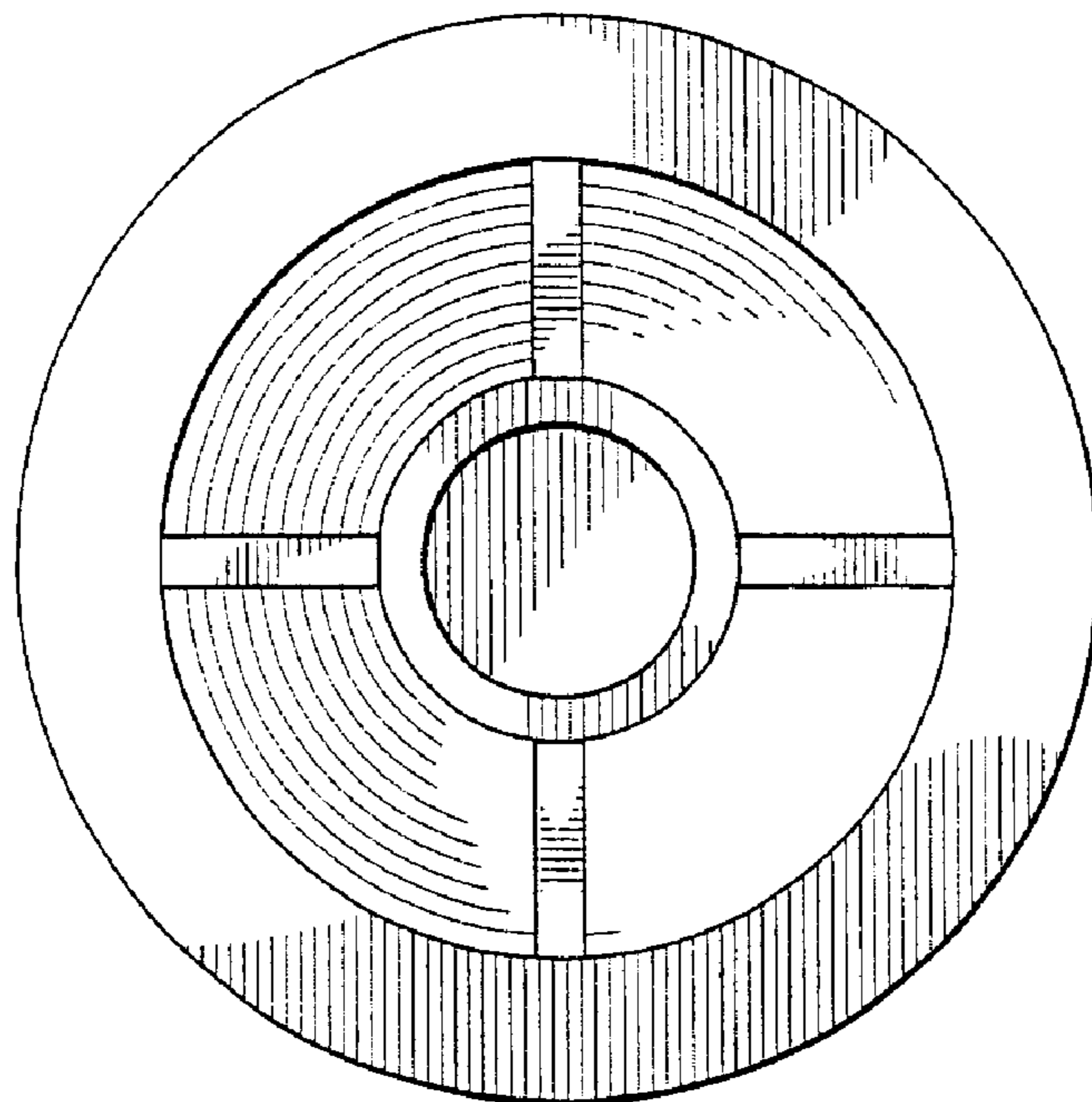


FIG. 5