

US00D524936S

(12) **United States Design Patent**
Hidalgo

(10) **Patent No.:** **US D524,936 S**

(45) **Date of Patent:** **** Jul. 11, 2006**

(54) **CEILING FAN BLADE**

(75) Inventor: **Rolando Hidalgo**, Orange, CA (US)

(73) Assignee: **Minka Lighting, Inc.**, Corona, CA (US)

(**) Term: **14 Years**

(21) Appl. No.: **29/235,865**

(22) Filed: **Aug. 8, 2005**

(51) **LOC (8) Cl.** **23-04**

(52) **U.S. Cl.** **D23/413**

(58) **Field of Classification Search** D23/411,
D23/413, 377, 379, 385; 416/5, 210 R
See application file for complete search history.

(56) **References Cited**

U.S. PATENT DOCUMENTS

D362,907 S * 10/1995 DiPasquale D23/411
D503,795 S * 4/2005 Tai D23/413

OTHER PUBLICATIONS

Fanimation Internet Catalog; Belize; Model # FP2920AR; printed from www.fanshack.com on Apr. 27, 2005.
Casablanca Internet Catalog; Nouvelle; Model # 96U52T; printed from www.hansenwholesale.com on Apr. 27, 2005.

Hunter Internet Catalog; Pienza; Model # 28871; printed from www.fanshack.com on Jul. 7, 2005.

Minka Lighting, Inc.; MinkaAire 2005 catalog; Jan. 2005; p. 16; Minka Lighting, Inc.; U.S.A.

* cited by examiner

Primary Examiner—Lisa Lichtenstein

(74) *Attorney, Agent, or Firm*—Baker & McKenzie LLP

(57) **CLAIM**

The ornamental design for a ceiling fan blade, as shown and described.

DESCRIPTION

FIG. 1 is a perspective view from below of a ceiling fan blade in accordance with my design;

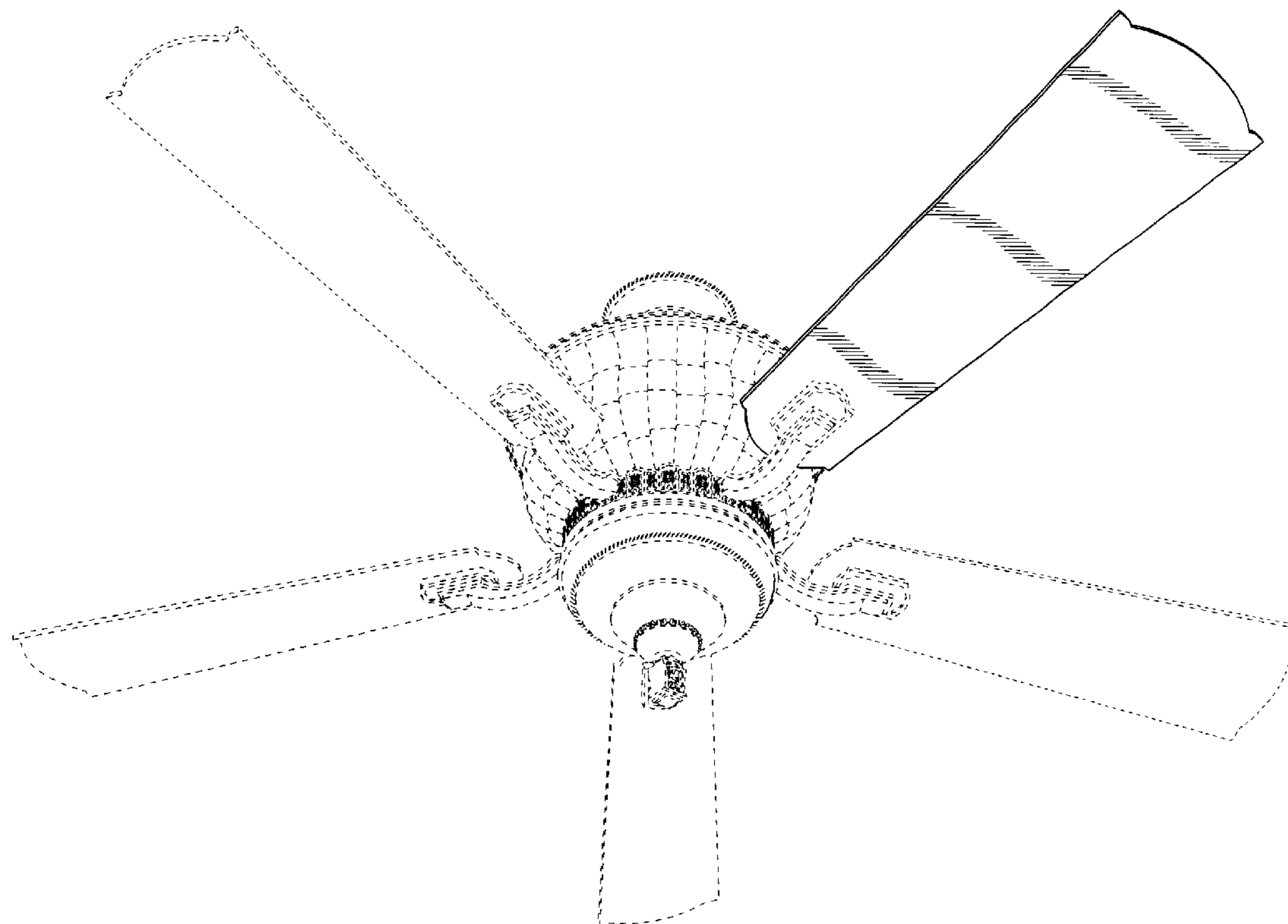
FIG. 2 is an enlarged top plan view of the ceiling fan blade in accordance with my design;

FIG. 3 is an enlarged side elevation view of the ceiling fan blade in accordance with my design, the opposite side being a mirror image of that shown; and,

FIG. 4 is an enlarged bottom plan view of the ceiling fan blade in accordance with my design.

The broken lines showing environmental structure are for illustrative purposes and form no part of the claimed invention.

1 Claim, 2 Drawing Sheets



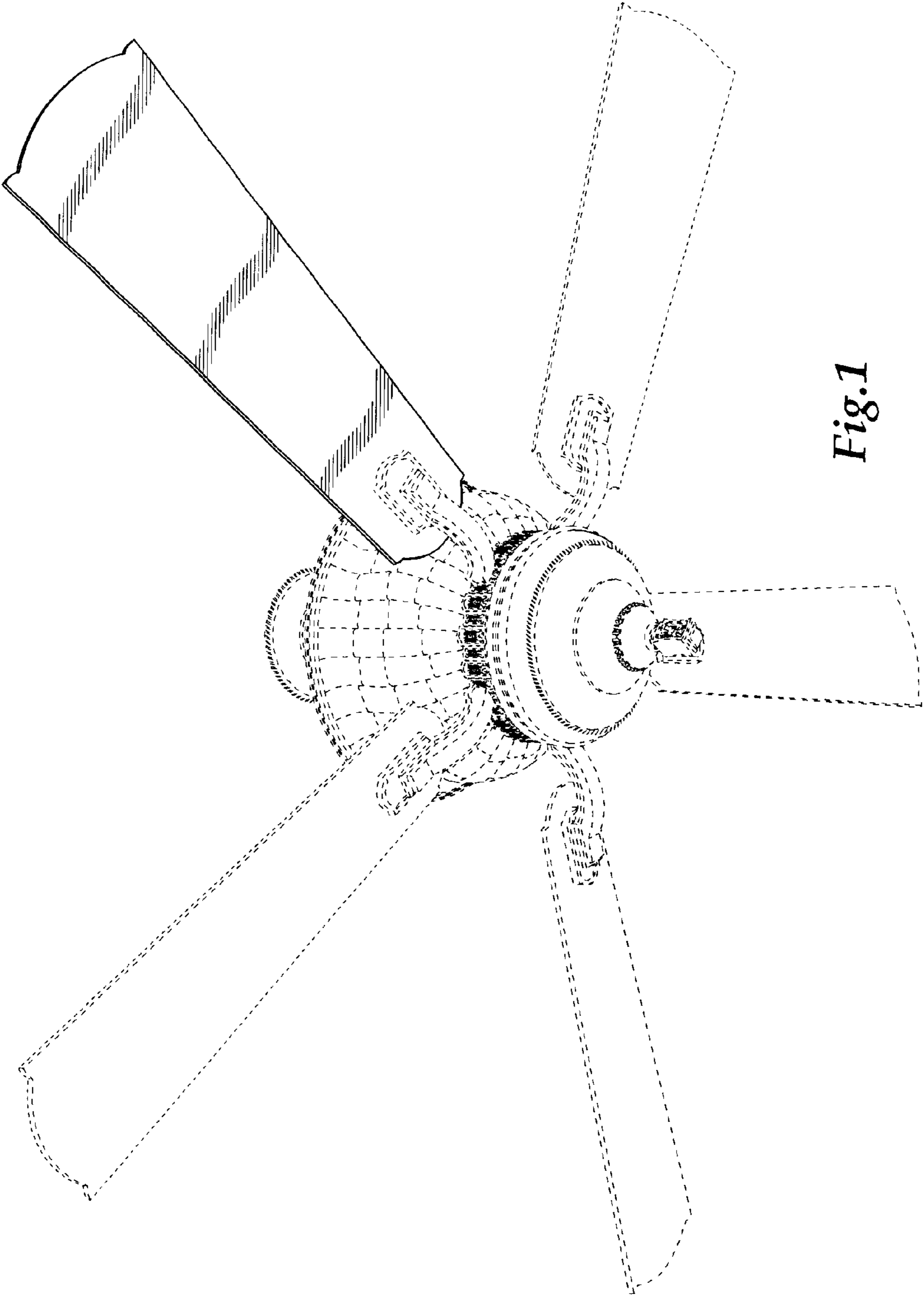


Fig. 1

Fig.2

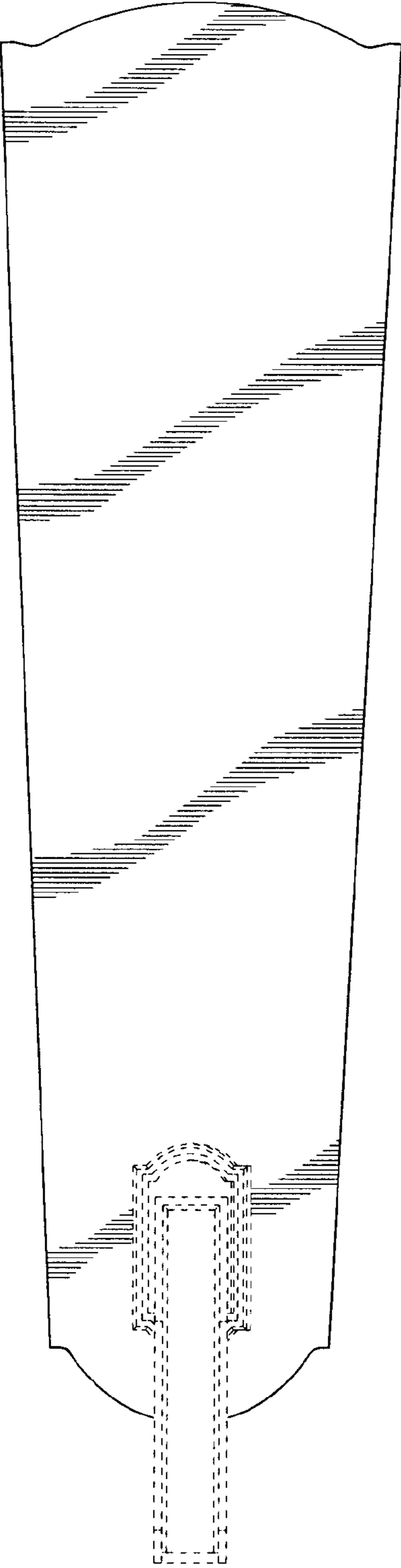


Fig.3

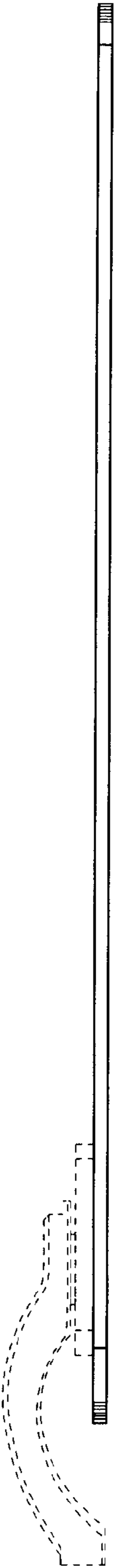


Fig.4

