



US00D524935S

(12) **United States Design Patent**  
**Young**

(10) **Patent No.:** **US D524,935 S**  
(45) **Date of Patent:** **\*\* Jul. 11, 2006**

(54) **CEILING FAN BLADE**

(75) Inventor: **Stanfield Young**, Los Alamitos, CA (US)

(73) Assignee: **Minka Lighting, Inc.**, Corona, CA (US)

(\*\*) Term: **14 Years**

(21) Appl. No.: **29/235,377**

(22) Filed: **Aug. 1, 2005**

(51) **LOC (8) Cl.** ..... **23-04**

(52) **U.S. Cl.** ..... **D23/413**

(58) **Field of Classification Search** ..... D23/411,  
D23/413, 377, 379, 385; 416/5  
See application file for complete search history.

(56) **References Cited**

**U.S. PATENT DOCUMENTS**

D321,935 S	11/1991	Ignon	
D323,028 S	* 1/1992	Holbrook	..... D23/377
5,462,407 A	10/1995	Calvo	
D393,902 S	4/1998	Pickett	
D435,289 S	12/2000	Liu	
D435,900 S	1/2001	Dye	
D449,683 S	* 10/2001	Gajewski	..... D23/413
D483,474 S	12/2003	Young	
D514,216 S	* 1/2006	Hidalgo	..... D23/377

**OTHER PUBLICATIONS**

Hampton Bay Ceiling Fans Catalog; vol. 1; Spring/Summer 2004; p. 38.  
Minka Lighting, Inc.; MinkaAire 2004 Catalog; pp. 52–53.  
Minka Lighting, Inc.; MinkaAire 2005 Catalog; Jan. 2005; pp. 78–79.  
Lamps Plus Internet Catalog; Casablanca Ventura II, Model #89125–57276; www.lampsplus.com.  
Casablanca Internet Catalog; Malibu Star; Model #23B002; www.casablancafanco.com.

Casablanca Internet Catalog; Avalon Blade System; Model #B31B; www.casablancafanco.com.

Monte Carlo Internet Catalog; Vera Cruz; Model #VC5B06, 5VC0P, 5VCFB, 5VC0C, 5VCWH.

Kichler Internet Catalog; Nautical Salt; Model #35025; printed from www.lowes.com.

Emerson Internet Catalog; Maui Bay; from www.ceiling-fanoutlet.com.

Fanimation Internet Catalog; Islander; from www.ceiling-fanoutlet.com.

\* cited by examiner

*Primary Examiner*—Lisa Lichtenstein

(74) *Attorney, Agent, or Firm*—Baker & McKenzie LLP

(57) **CLAIM**

The ornamental design for a ceiling fan blade, as shown and described.

**DESCRIPTION**

FIG. 1 is a perspective view from below of a ceiling fan blade in accordance with my design;

FIG. 2 is a side elevation view of the ceiling fan blade in accordance with my design;

FIG. 3 is an enlarged top plan view of the ceiling fan blade in accordance with my design;

FIG. 4 is an enlarged bottom plan view of the ceiling fan blade in accordance with my design;

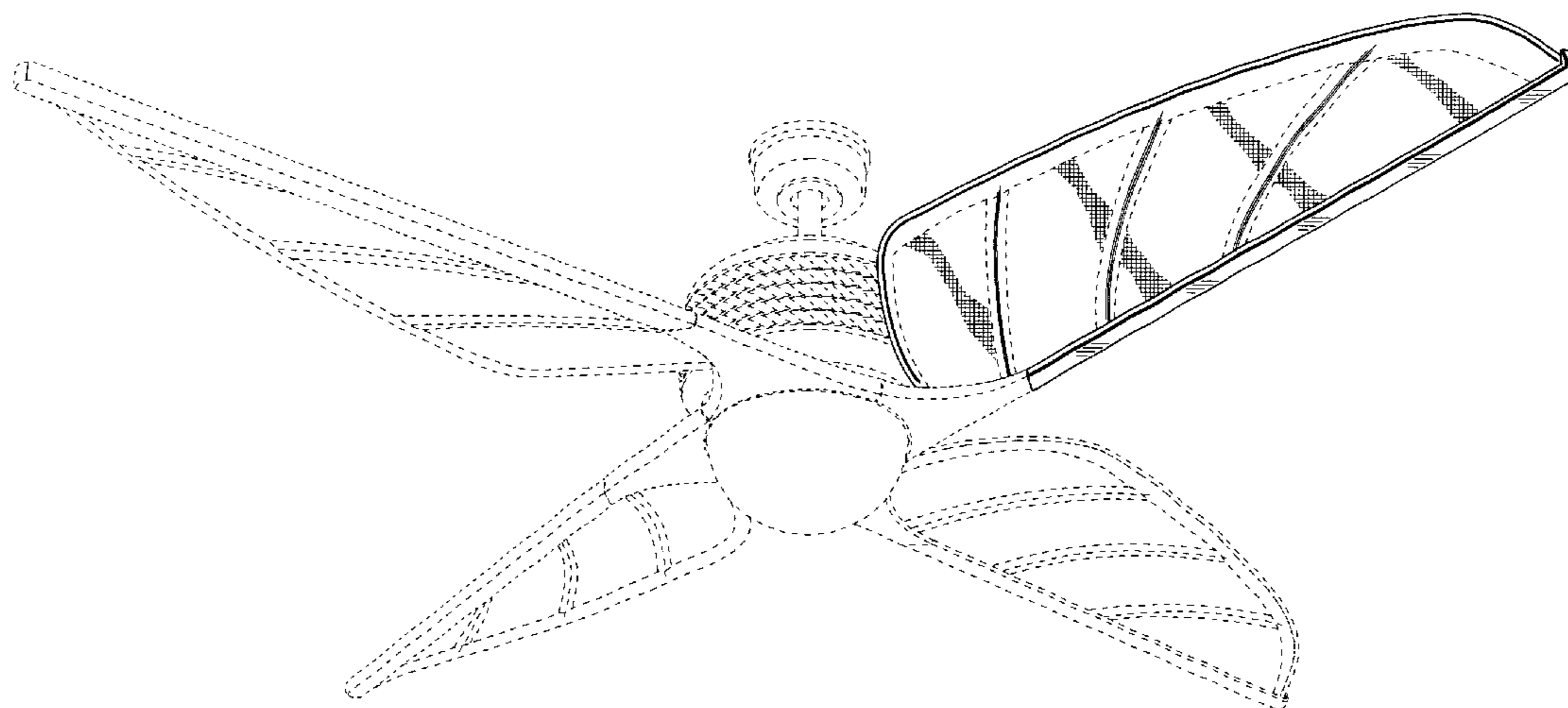
FIG. 5 is an enlarged side elevation view of the ceiling fan blade in accordance with my design; and,

FIG. 6 is an enlarged front elevation view of the ceiling fan blade in accordance with my design.

The broken lines showing environmental structure are for illustrative purposes only and form no part of the claimed invention.

The broken lines on the fan blades are understood to represent stitching.

**1 Claim, 3 Drawing Sheets**



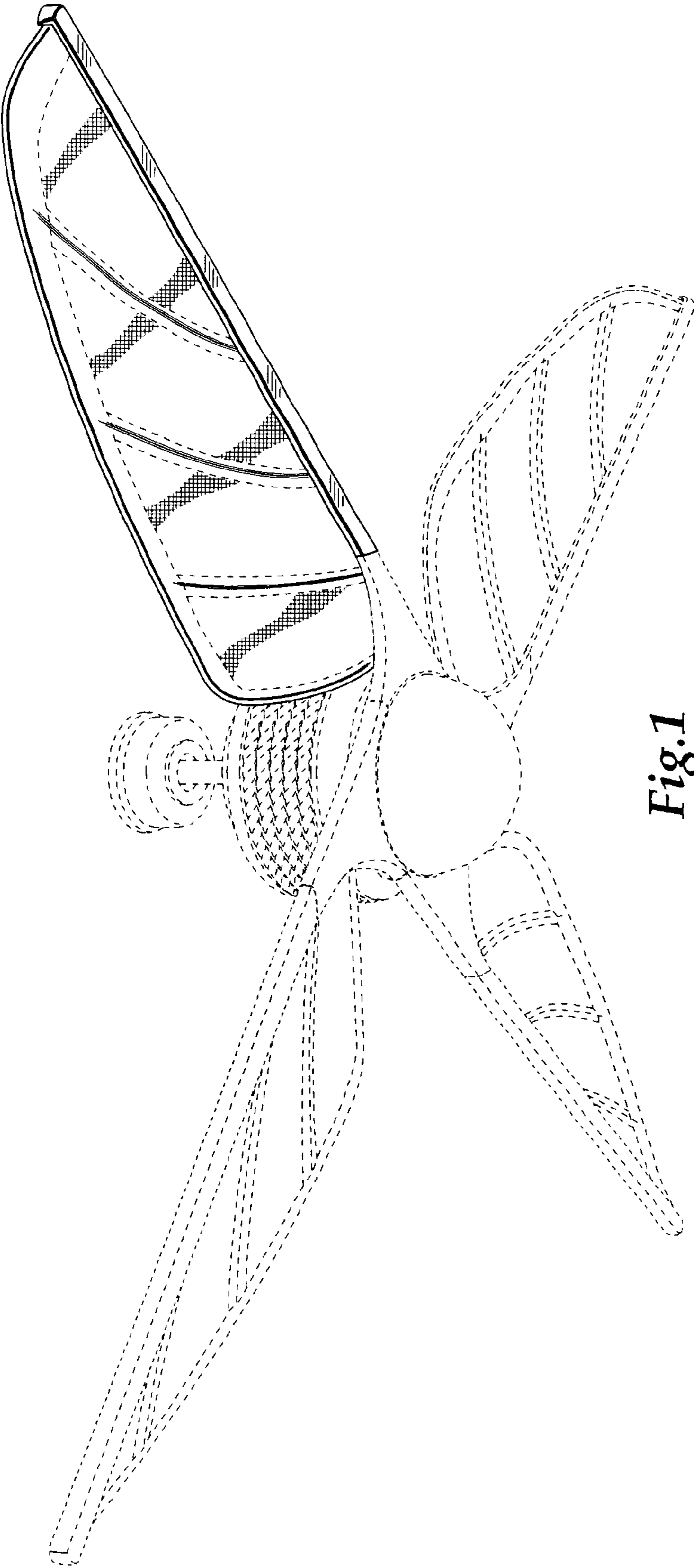


Fig. 1

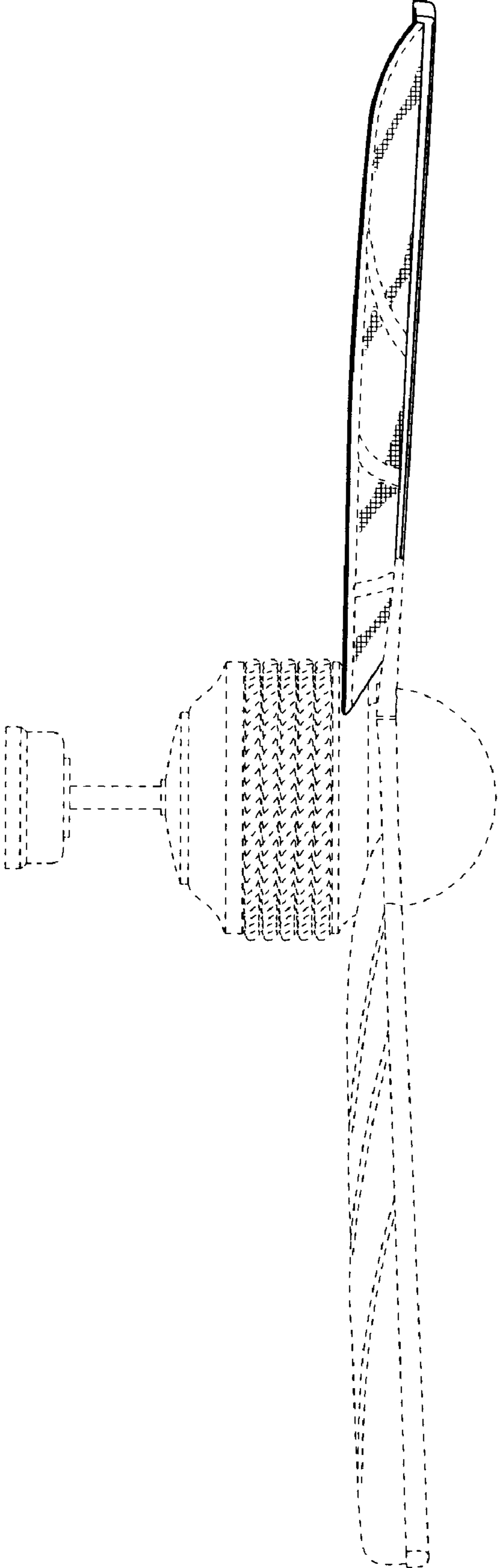
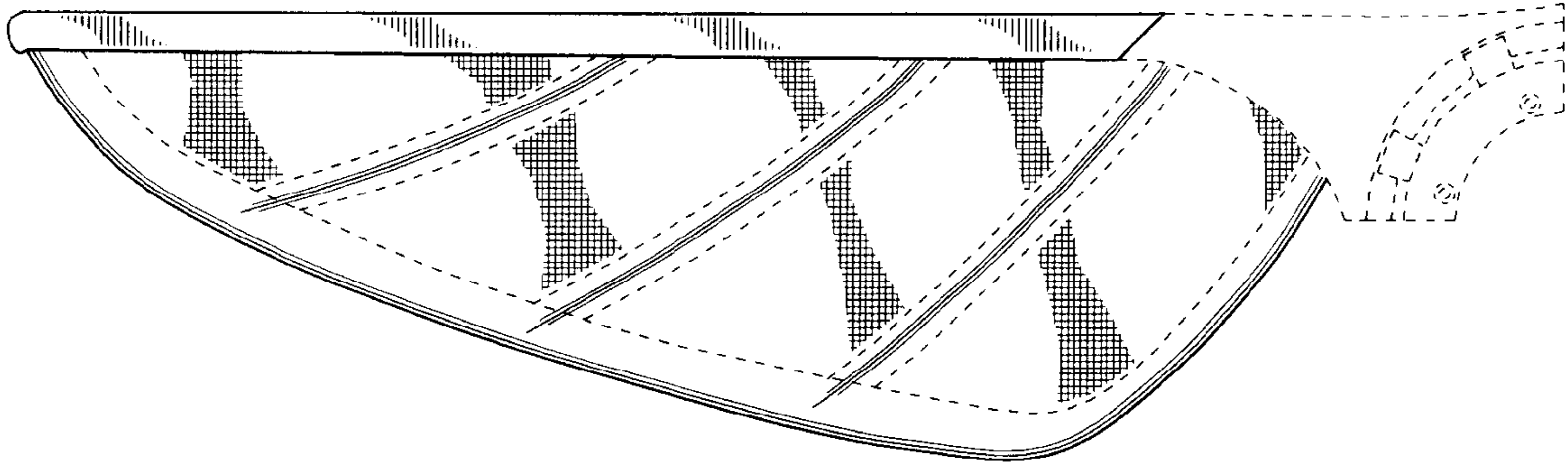
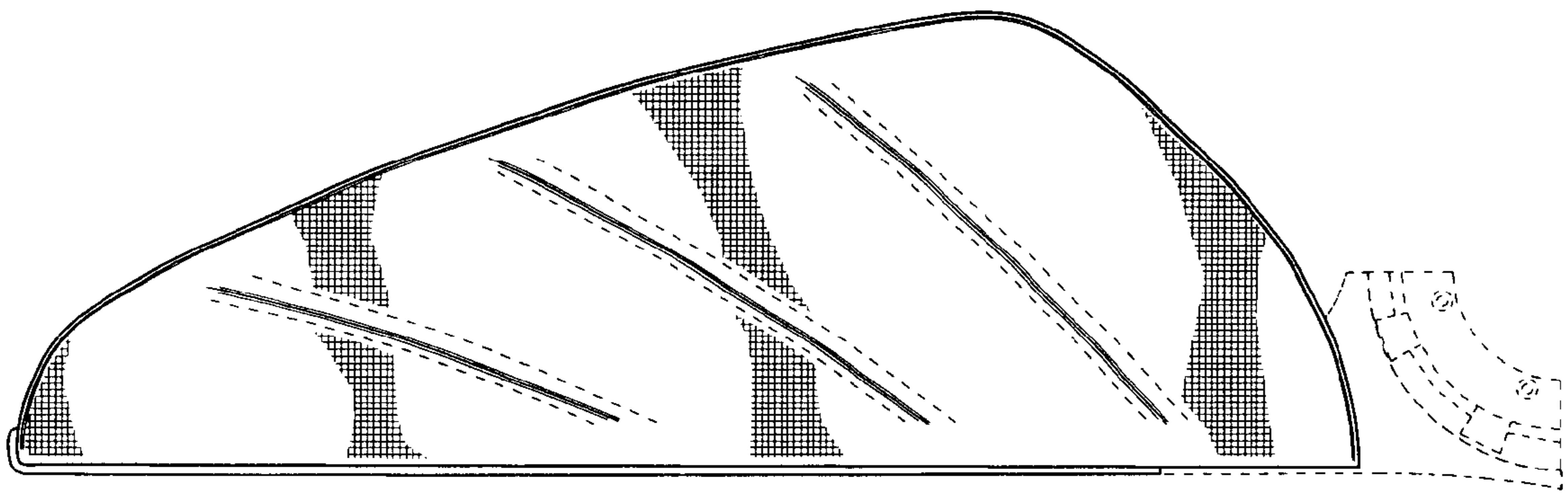


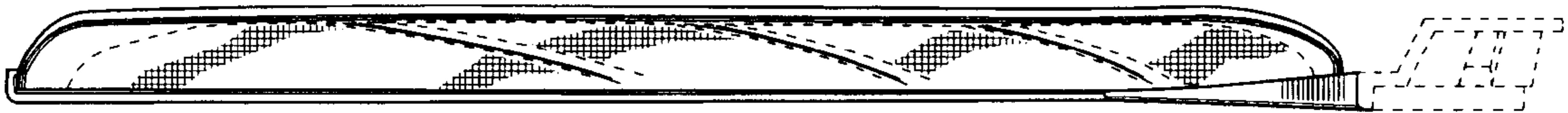
Fig.2



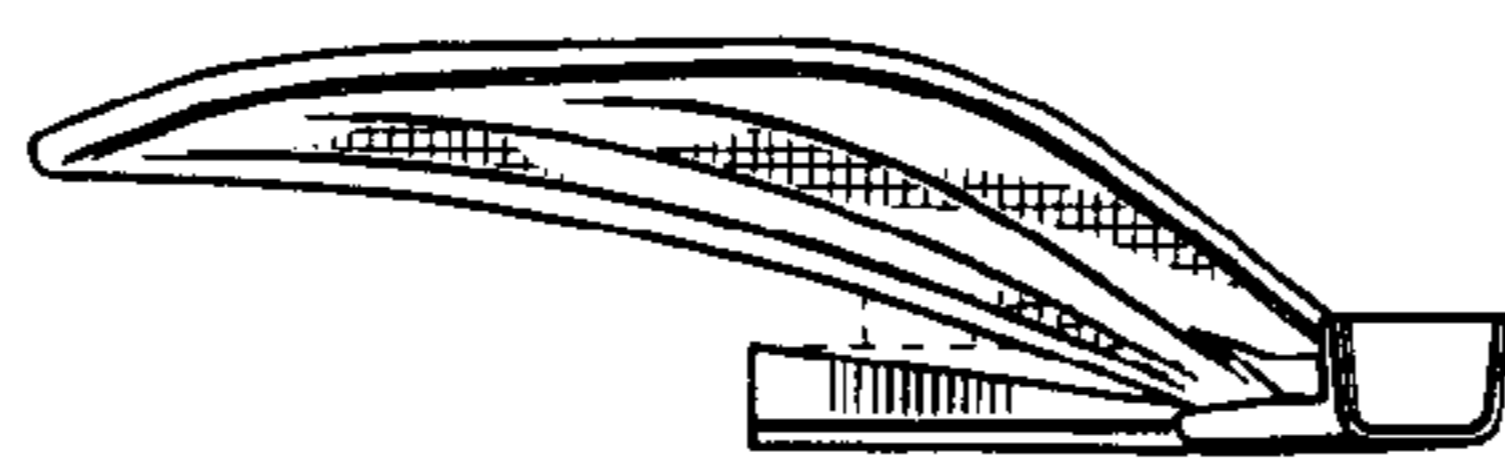
*Fig.3*



*Fig.4*



*Fig.5*



*Fig.6*