



US00D524934S

(12) **United States Design Patent**  
**Hidalgo**

(10) **Patent No.:** **US D524,934 S**

(45) **Date of Patent:** **\*\* Jul. 11, 2006**

(54) **CEILING FAN HOUSING**

(75) Inventor: **Rolando Hidalgo**, Orange, CA (US)

(73) Assignee: **Minka Lighting, Inc.**, Corona, CA (US)

(\*\*) Term: **14 Years**

(21) Appl. No.: **29/235,861**

(22) Filed: **Aug. 8, 2005**

(51) **LOC (8) Cl.** ..... **23-04**

(52) **U.S. Cl.** ..... **D23/411**

(58) **Field of Classification Search** ..... D23/411,  
D23/413, 377, 379, 385; 416/5  
See application file for complete search history.

(56) **References Cited**

**U.S. PATENT DOCUMENTS**

D362,907 S \* 10/1995 DiPasquale ..... D23/411  
D503,795 S \* 4/2005 Tai ..... D23/413

**OTHER PUBLICATIONS**

Fanimation Internet Catalog; Belize; Model # FP2920AR; printed from www.fanshack.com on Apr. 27, 2005.  
Casablanca Internet Catalog; Nouvelle; Model # 96U52T; printed from www.hansenwholesale.com on Apr. 27, 2005.  
Hunter Internet Catalog; Pienza; Model # 28871; printed from www.fanshack.com on Jul. 7, 2005.

Minka Lighting, Inc.; MinkaAire 2005 catalog; Jan. 2005; p. 16; Minka Lighting, Inc.; U.S.A.

\* cited by examiner

*Primary Examiner*—Lisa Lichtenstein

(74) *Attorney, Agent, or Firm*—Baker & McKenzie LLP

(57) **CLAIM**

The ornamental design for a ceiling fan housing, as shown and described.

**DESCRIPTION**

FIG. 1 is a perspective view from below of a ceiling fan housing in accordance with my design;

FIG. 2 is a reduced top plan view of the ceiling fan housing in accordance with my design;

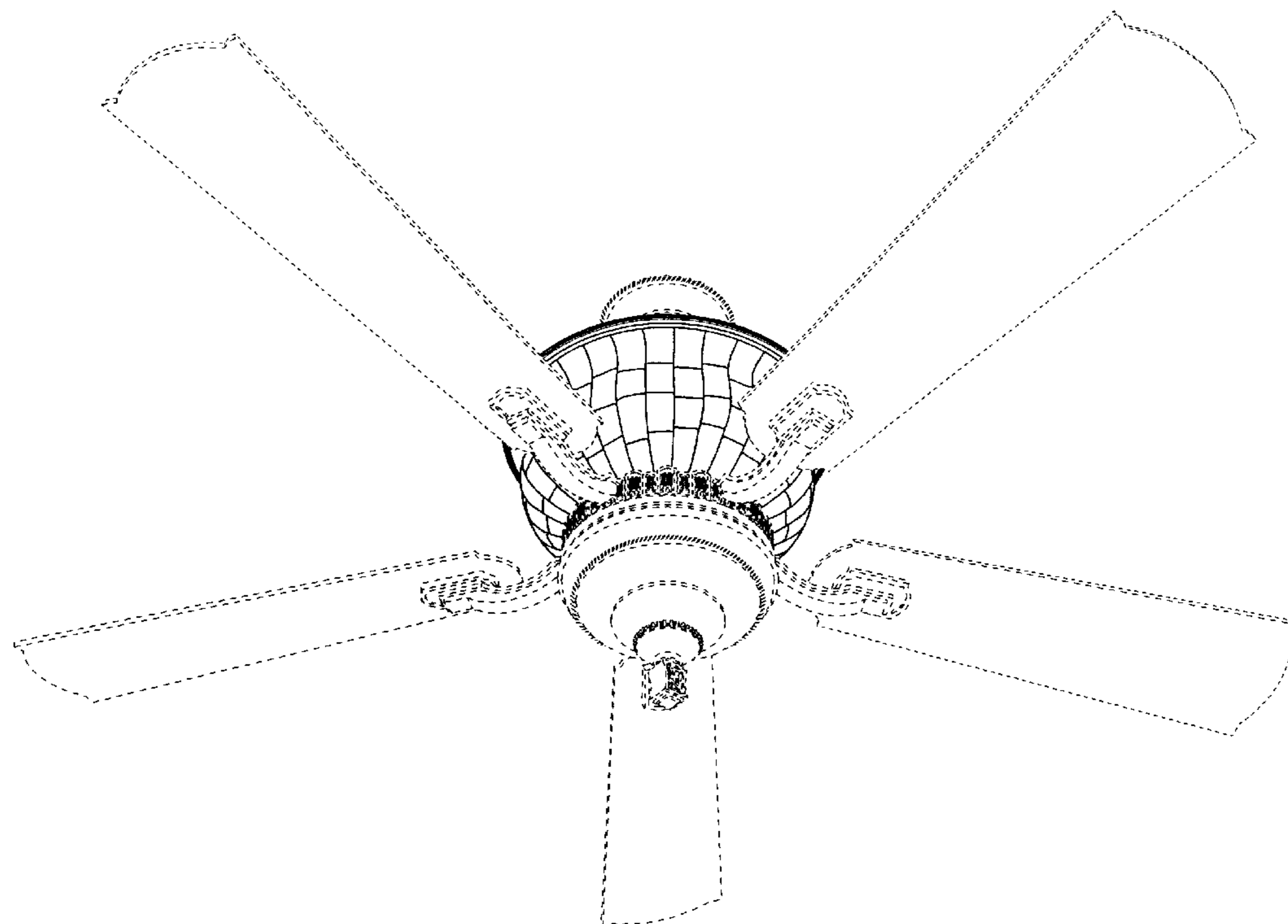
FIG. 3 is a reduced bottom plan view of the ceiling fan housing in accordance with my design;

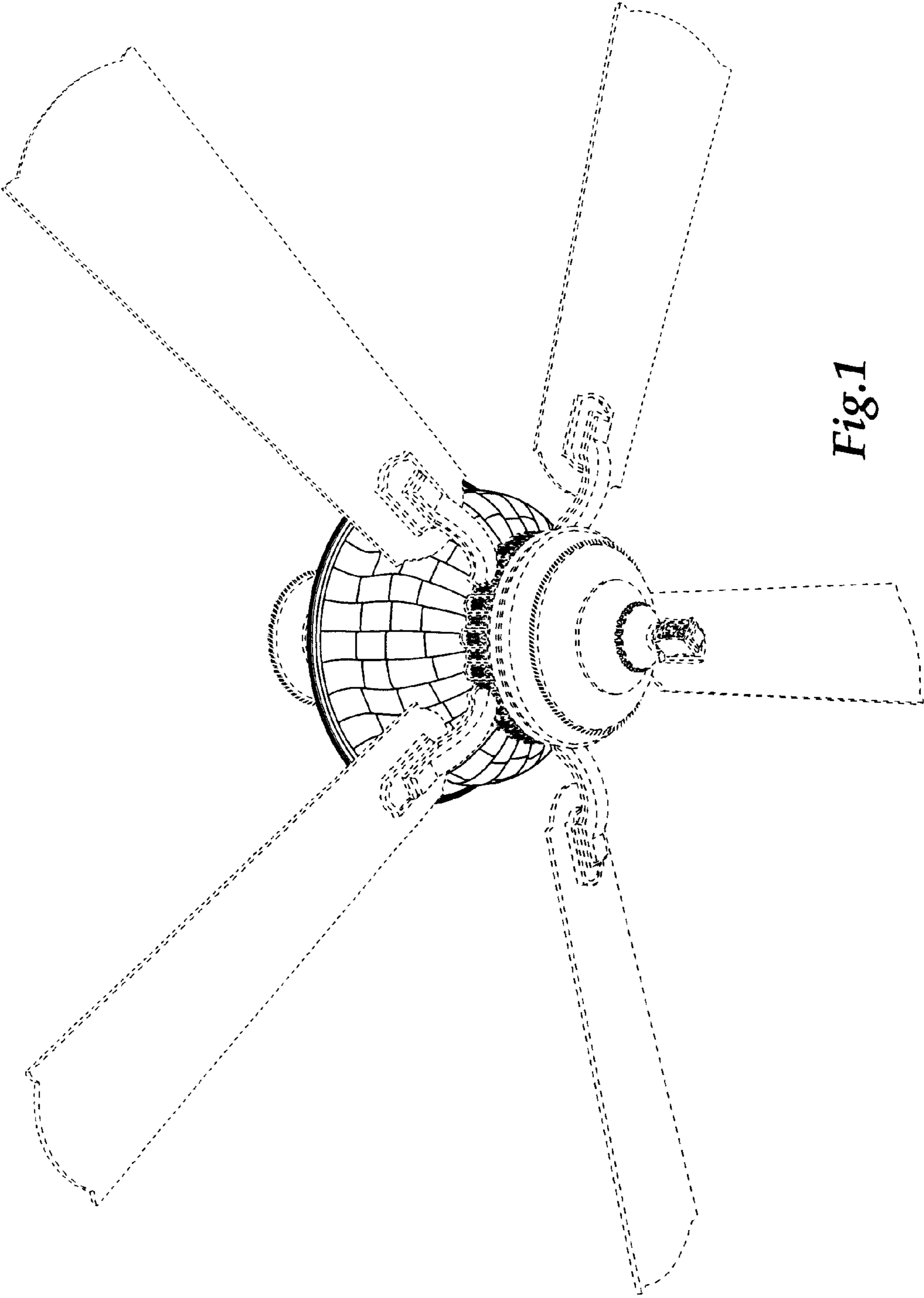
FIG. 4 is a side elevation view of the ceiling fan housing in accordance with my design, the opposite side being a mirror image of that shown; and,

FIG. 5 is an enlarged side elevation view of the ceiling fan housing in accordance with my design, the opposite side being a mirror image of that shown.

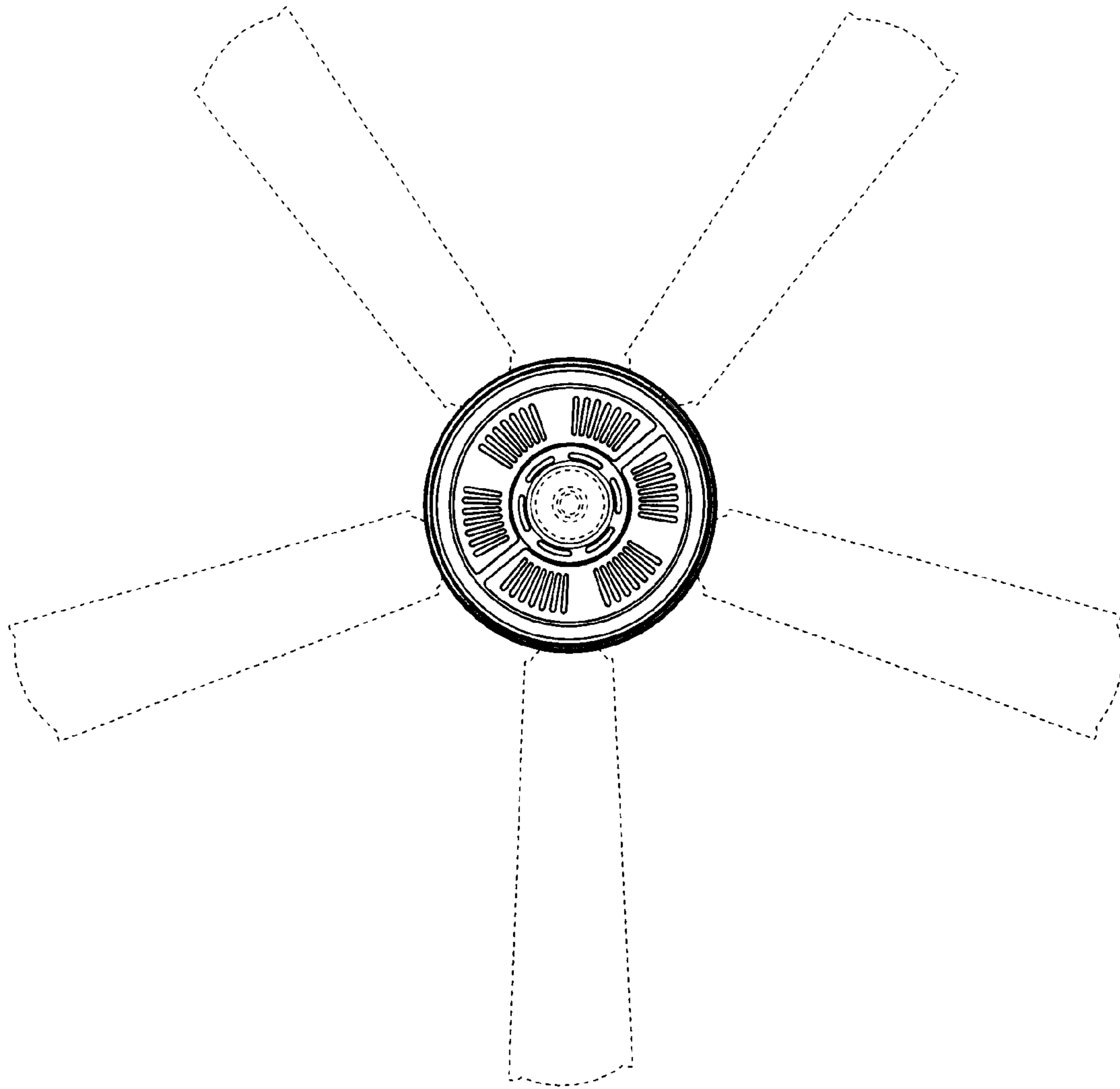
The broken lines showing environmental structure are for illustrative purposes and form no part of the claimed invention.

**1 Claim, 5 Drawing Sheets**

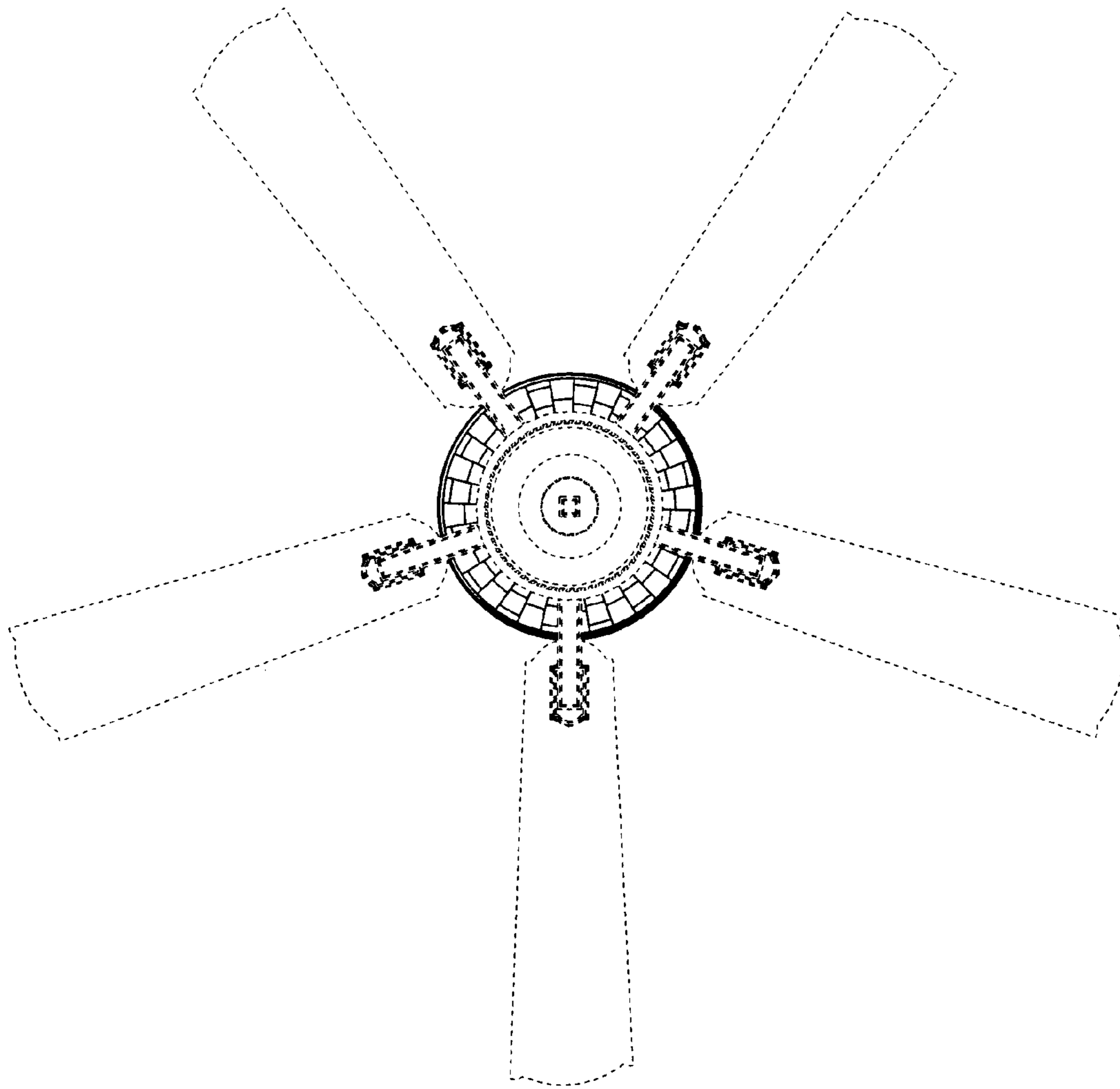




*Fig. 1*



*Fig. 2*



*Fig.3*

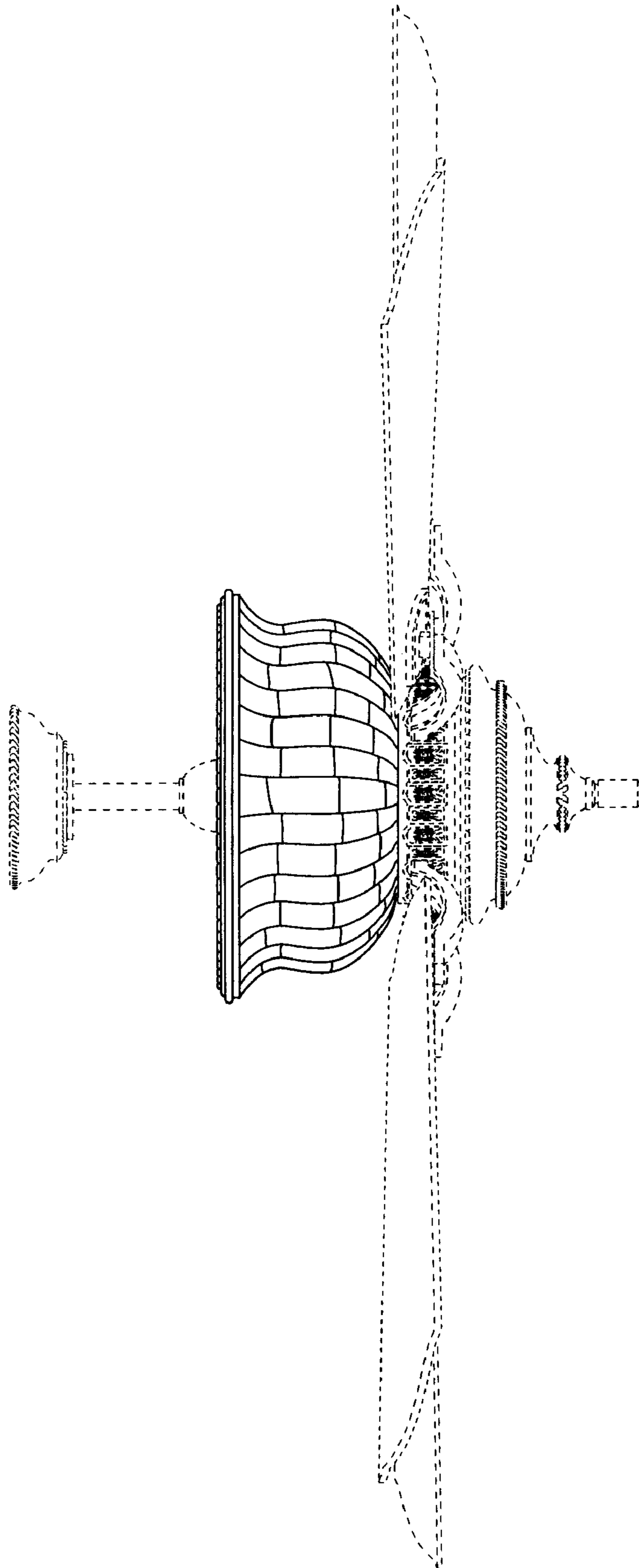
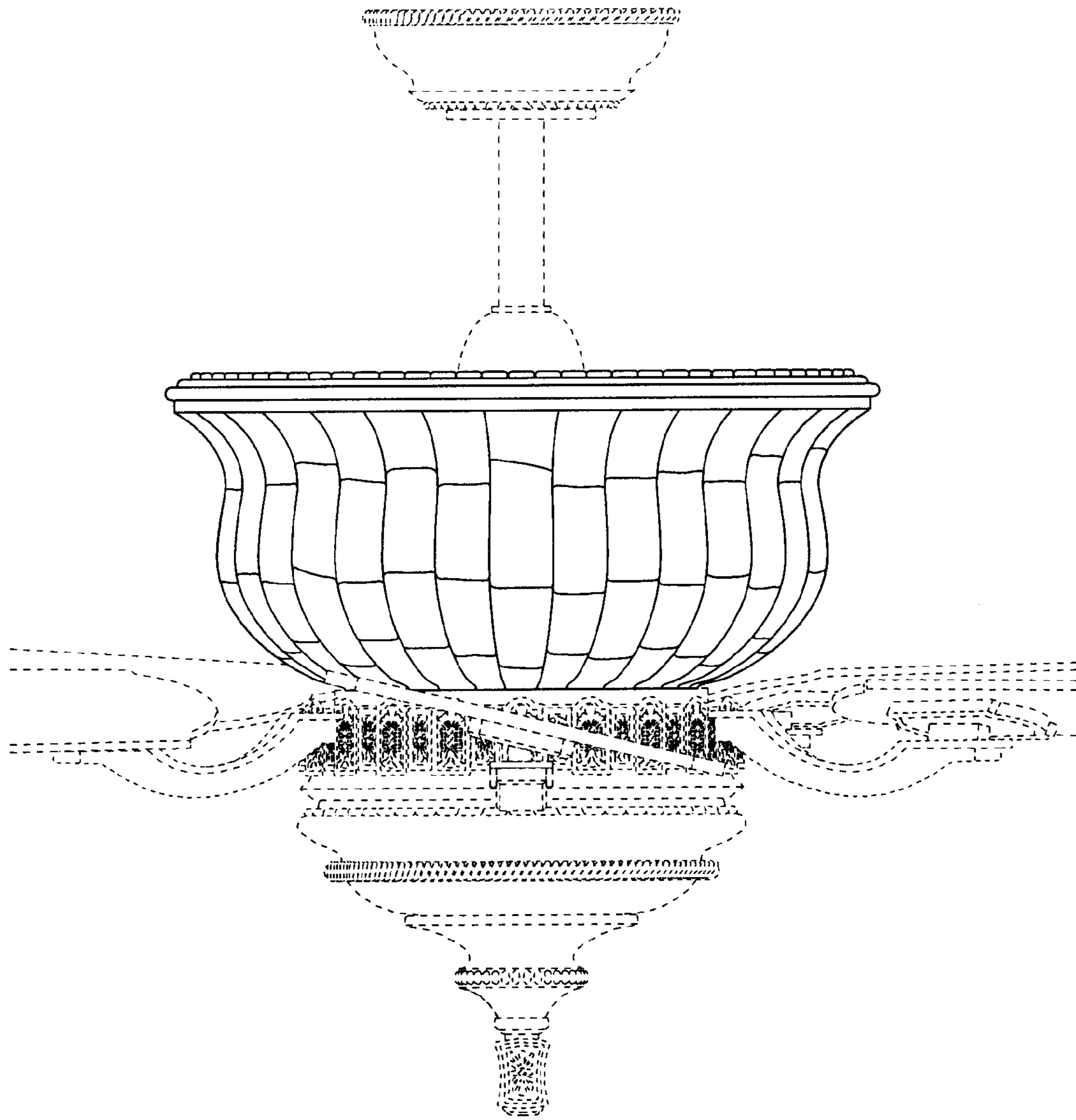


Fig. 4



*Fig.5*