



US00D524931S

(12) **United States Design Patent**
Wang

(10) **Patent No.:** **US D524,931 S**

(45) **Date of Patent:** **** Jul. 11, 2006**

(54) **FAN BLADE BRACKET**

(75) Inventor: **Cliff Wang**, Taichung (TW)

(73) Assignee: **Air Cool Industrial Co., Ltd.**,
Taichung (TW)

(**) Term: **14 Years**

(21) Appl. No.: **29/224,537**

(22) Filed: **Mar. 3, 2005**

(51) **LOC (8) Cl.** **23-04**

(52) **U.S. Cl.** **D23/411**

(58) **Field of Classification Search** D23/377,
D23/379, 385, 411, 413; 416/5, 210 R
See application file for complete search history.

(56) **References Cited**

U.S. PATENT DOCUMENTS

D392,734 S * 3/1998 Pickett D23/377
D434,490 S * 11/2000 Tsuji et al. D23/411

* cited by examiner

Primary Examiner—Lisa Lichtenstein

(74) *Attorney, Agent, or Firm*—Parsons & Goltry; Michael
W. Goltry; Robert A. Parsons

(57) **CLAIM**

The ornamental design for a fan blade bracket, as shown and
described.

DESCRIPTION

FIG. 1 is a top perspective view of a fan blade bracket
showing my new design;

FIG. 2 is a top perspective view thereof;

FIG. 3 is a right side elevational view thereof;

FIG. 4 is a left side elevational view thereof;

FIG. 5 is a top plan view thereof;

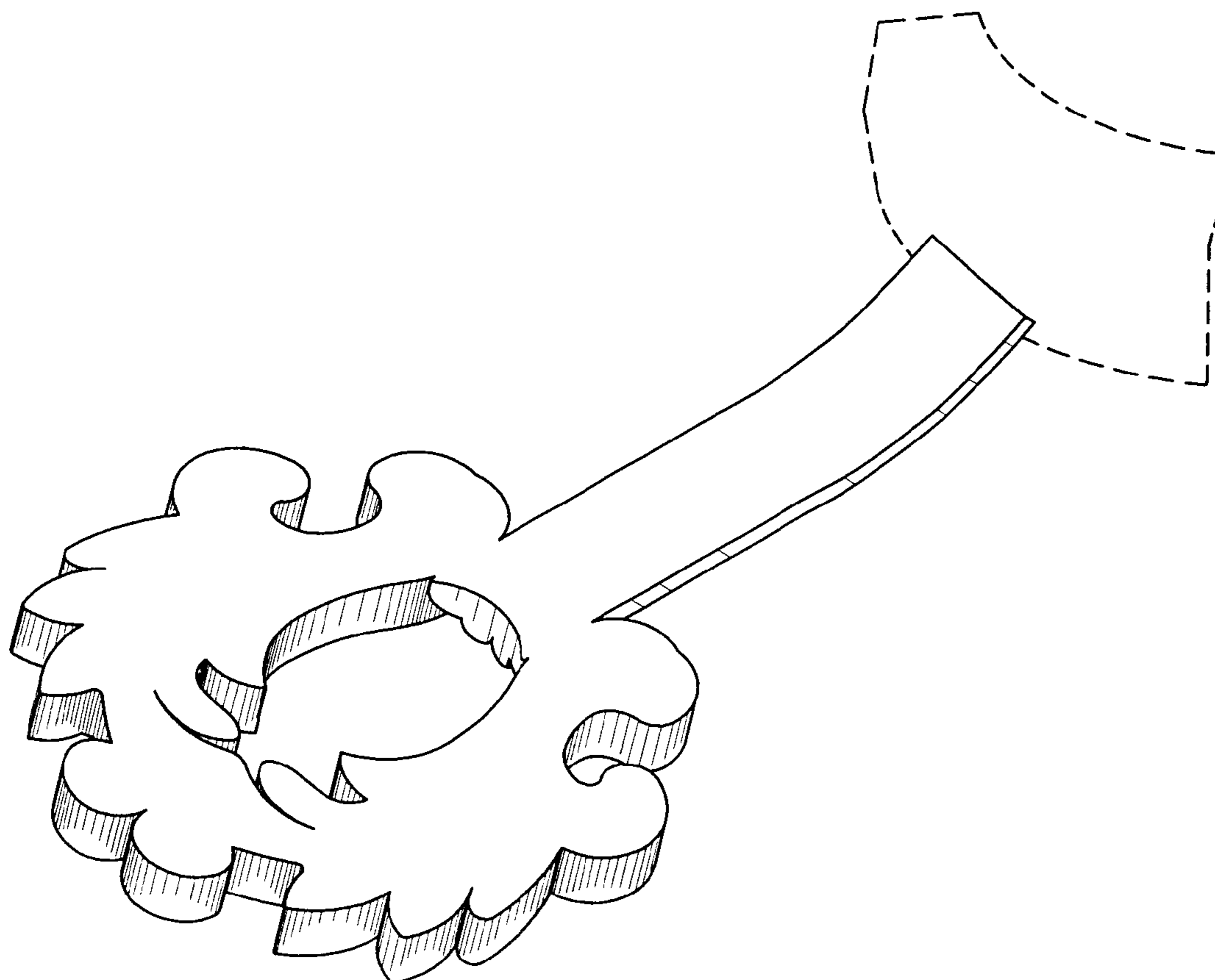
FIG. 6 is a bottom plan view thereof;

FIG. 7 is an enlarged rear elevational view thereof; and,

FIG. 8 is an enlarged front elevational view thereof.

The broken lines in the views show environmental features,
which are for illustrative purposes only and form no part of
the claimed design.

1 Claim, 4 Drawing Sheets



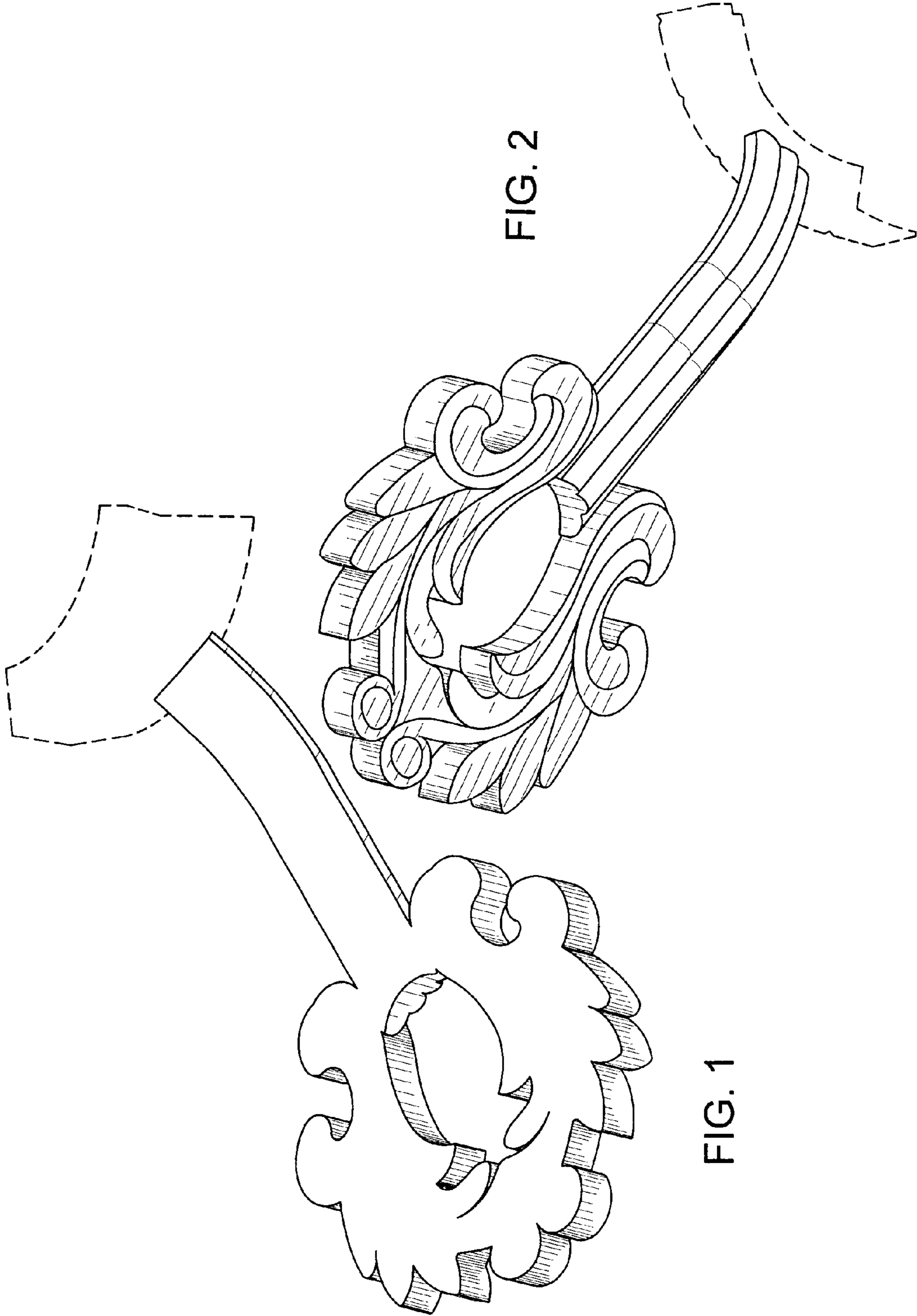


FIG. 2

FIG. 1

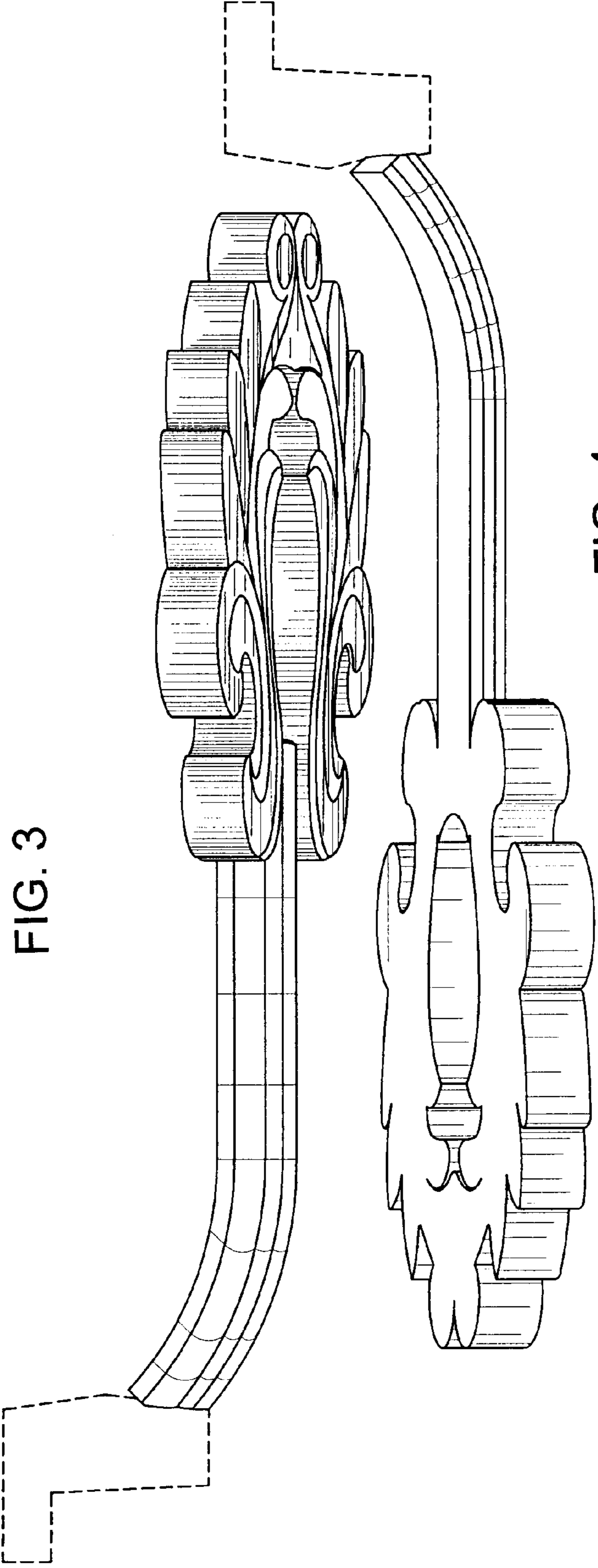


FIG. 3

FIG. 4

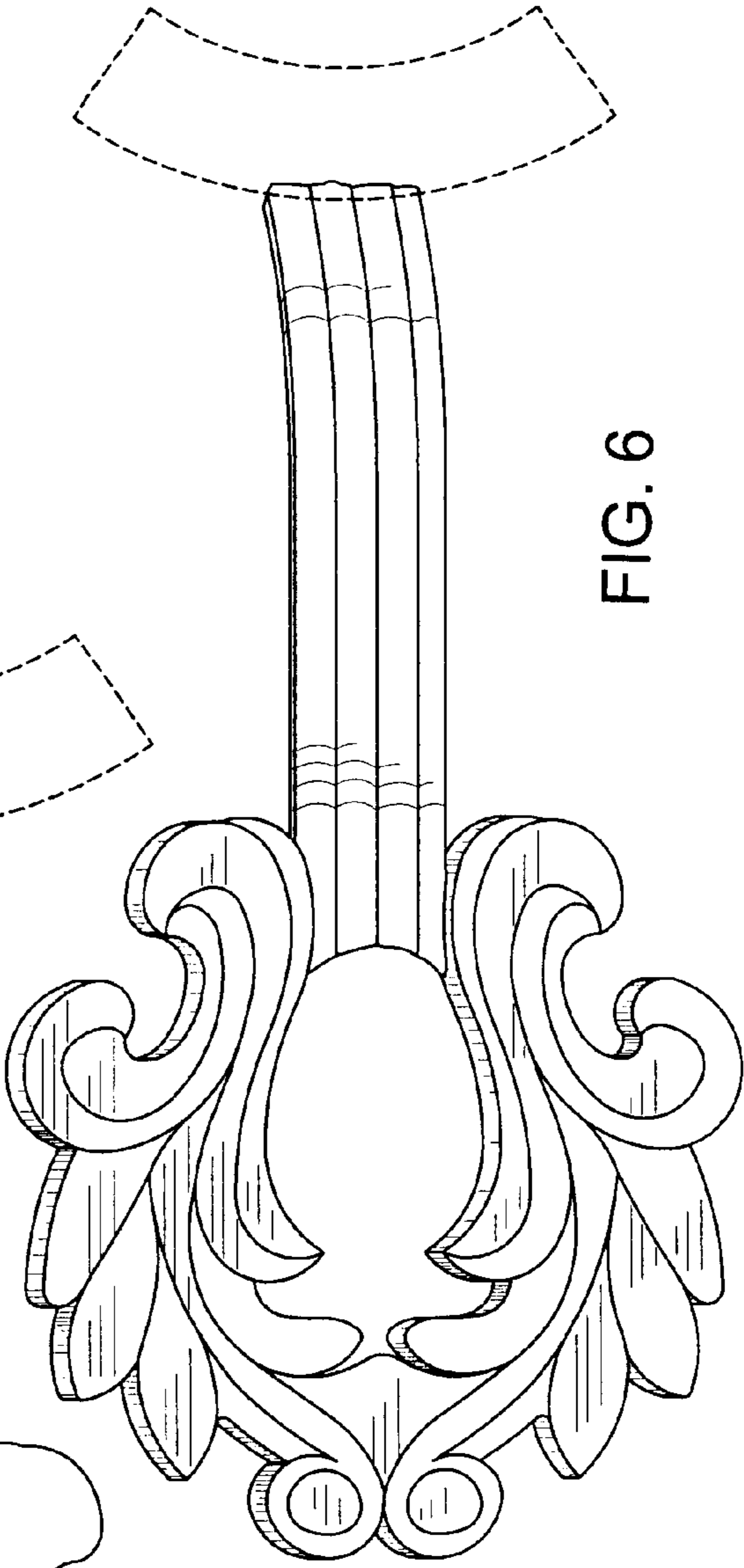
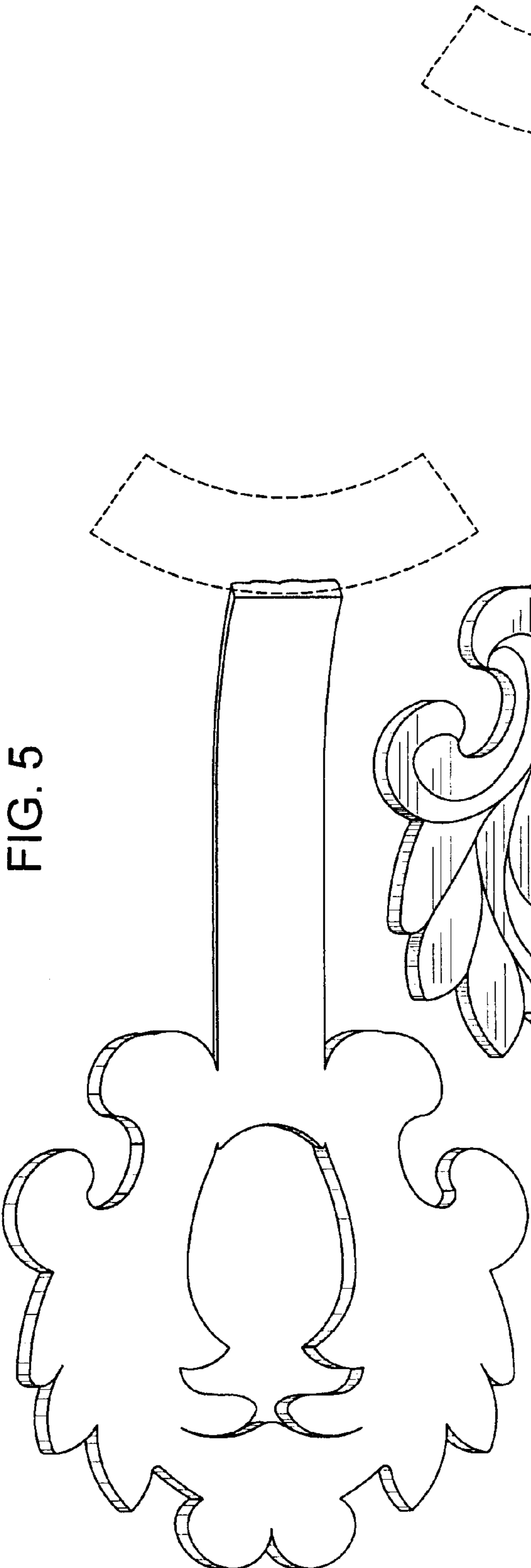


FIG. 7

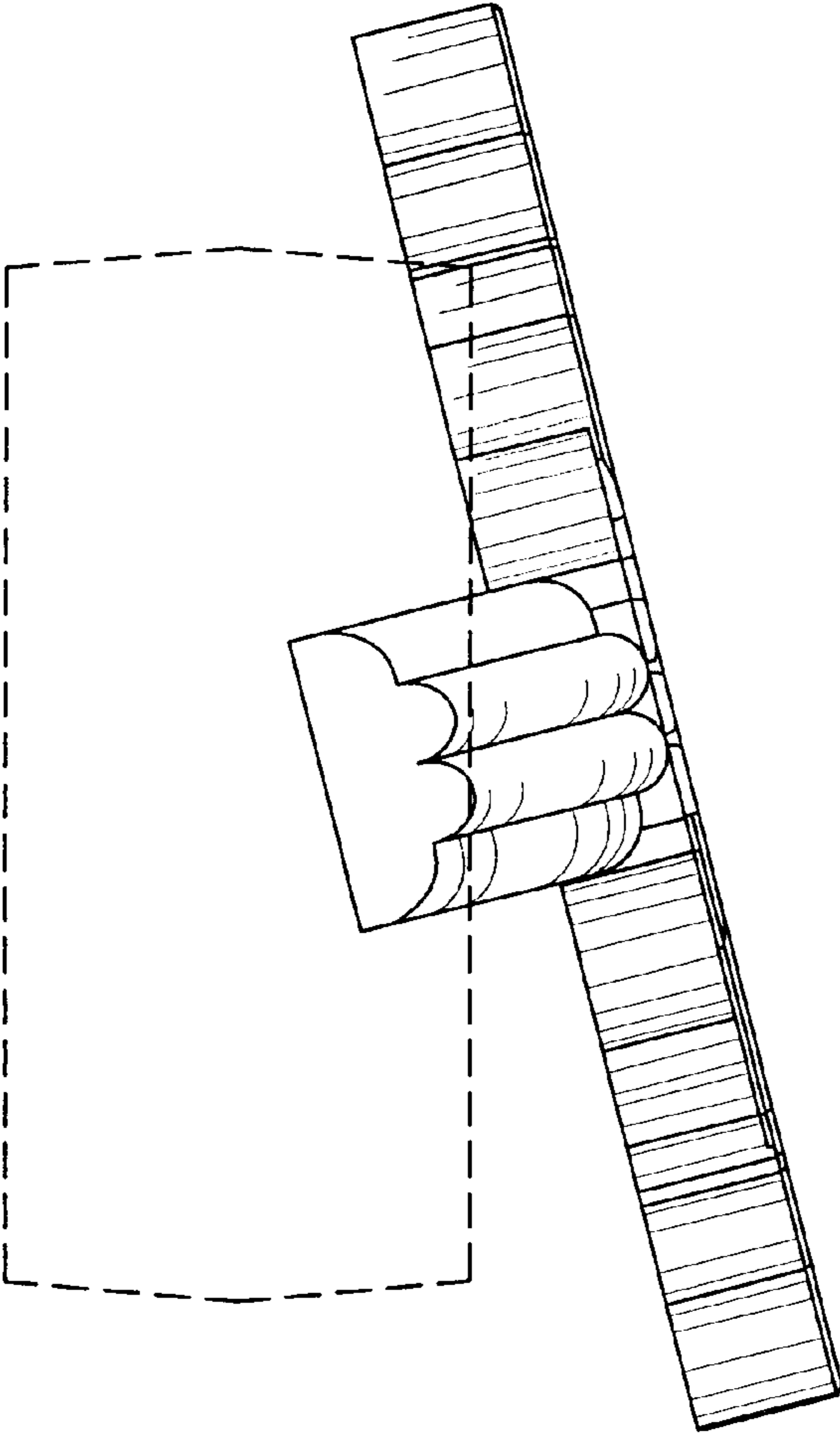


FIG. 8

