



US00D524930S

(12) **United States Design Patent**
Blanchard

(10) **Patent No.:** **US D524,930 S**

(45) **Date of Patent:** **** Jul. 11, 2006**

(54) **DUAL DRYER VENT**

D507,344 S * 7/2005 Anderson D23/393

(76) Inventor: **Normand M. Blanchard**, 79, rue
Jeanne d'Arc, Gatineau, Quebec (CA),
J8Y 2H5

* cited by examiner

Primary Examiner—Catherine R. Oliver

(74) *Attorney, Agent, or Firm*—George A. Seaby

(**) Term: **14 Years**

(57) **CLAIM**

(21) Appl. No.: **29/227,750**

The ornamental design for a dual dryer vent, as shown and described.

(22) Filed: **Apr. 15, 2005**

DESCRIPTION

(51) **LOC (8) Cl.** **23-04**

(52) **U.S. Cl.** **D23/393**

(58) **Field of Classification Search** D23/385-393,
D23/398, 411, 421, 499; 454/237, 276-277;
34/235; D25/52-53

FIG. 1 is a front and side perspective view of the dual dryer vent showing my new design;

FIG. 2 is a perspective view thereof as seen from the rear and the opposite side;

FIG. 3 is a front elevational view thereof;

FIG. 4 is a rear elevational view thereof;

FIG. 5 is a top plan view thereof;

FIG. 6 is a bottom plan view thereof; and,

FIG. 7 is a side elevational view thereof, the other side being the mirror image thereof.

See application file for complete search history.

(56) **References Cited**

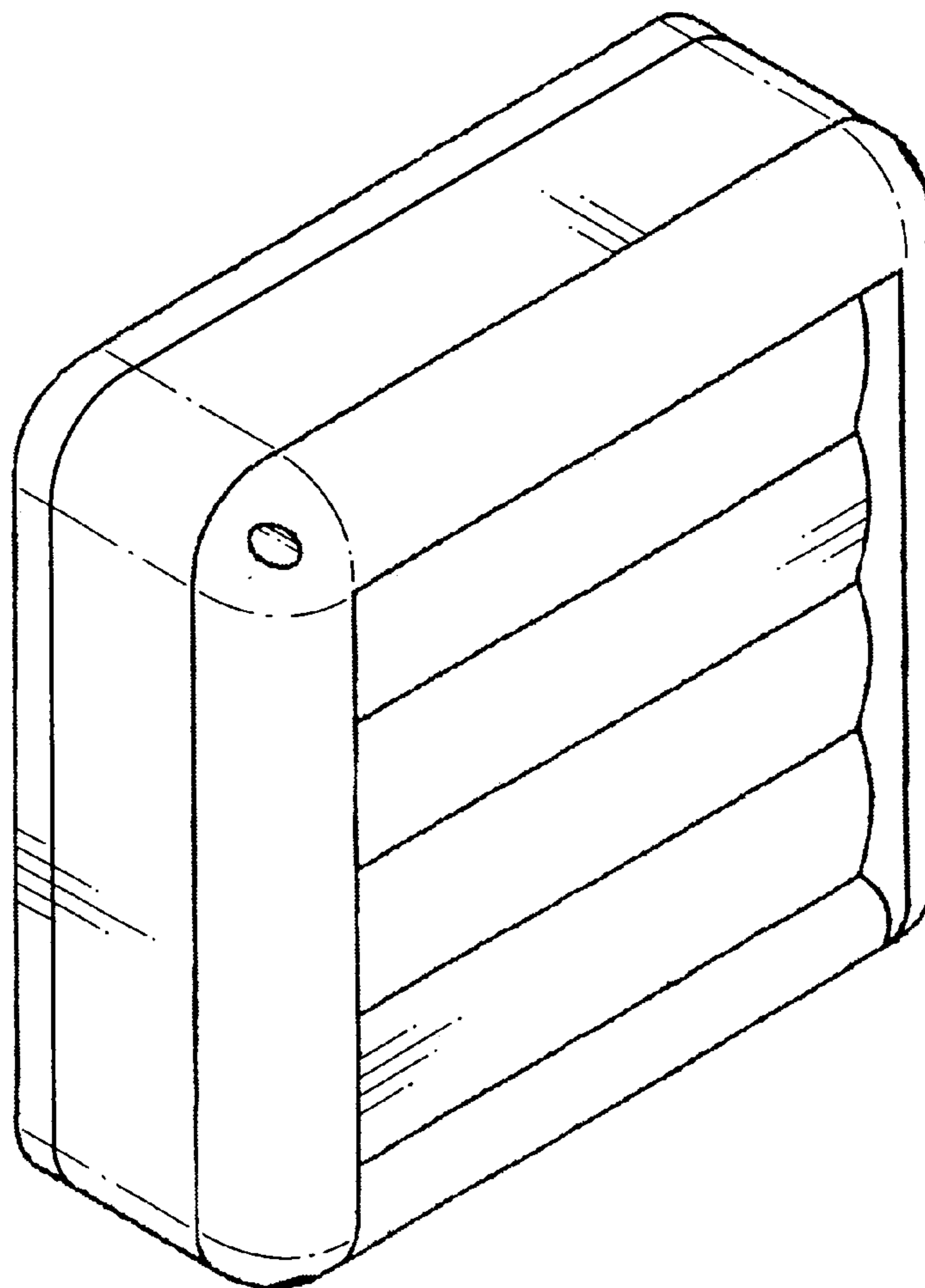
U.S. PATENT DOCUMENTS

D281,451 S * 11/1985 Shames et al. D23/392

5,482,507 A * 1/1996 Priest 34/235

D466,605 S * 12/2002 Ziegler D23/393

1 Claim, 3 Drawing Sheets



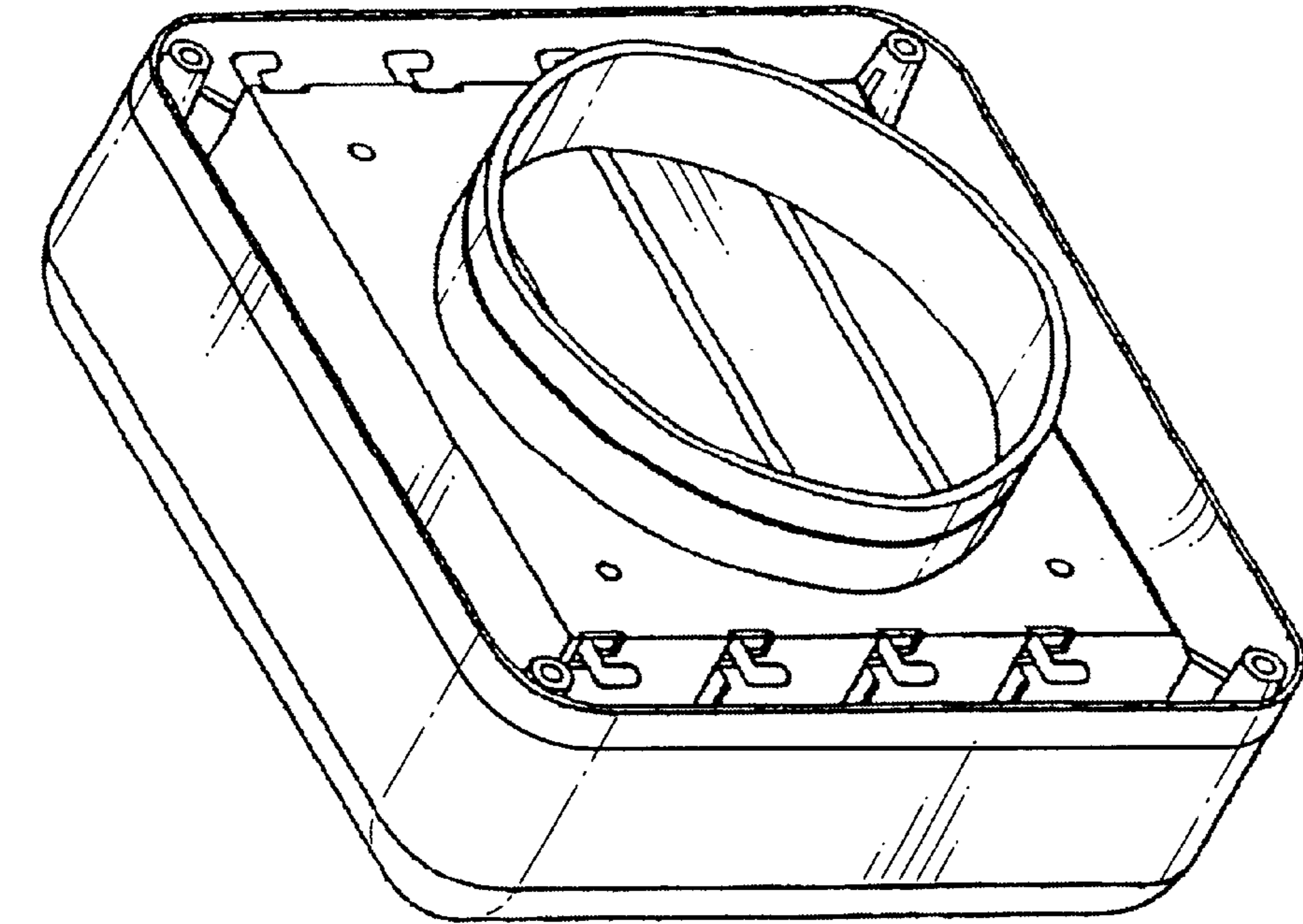


FIG. 2

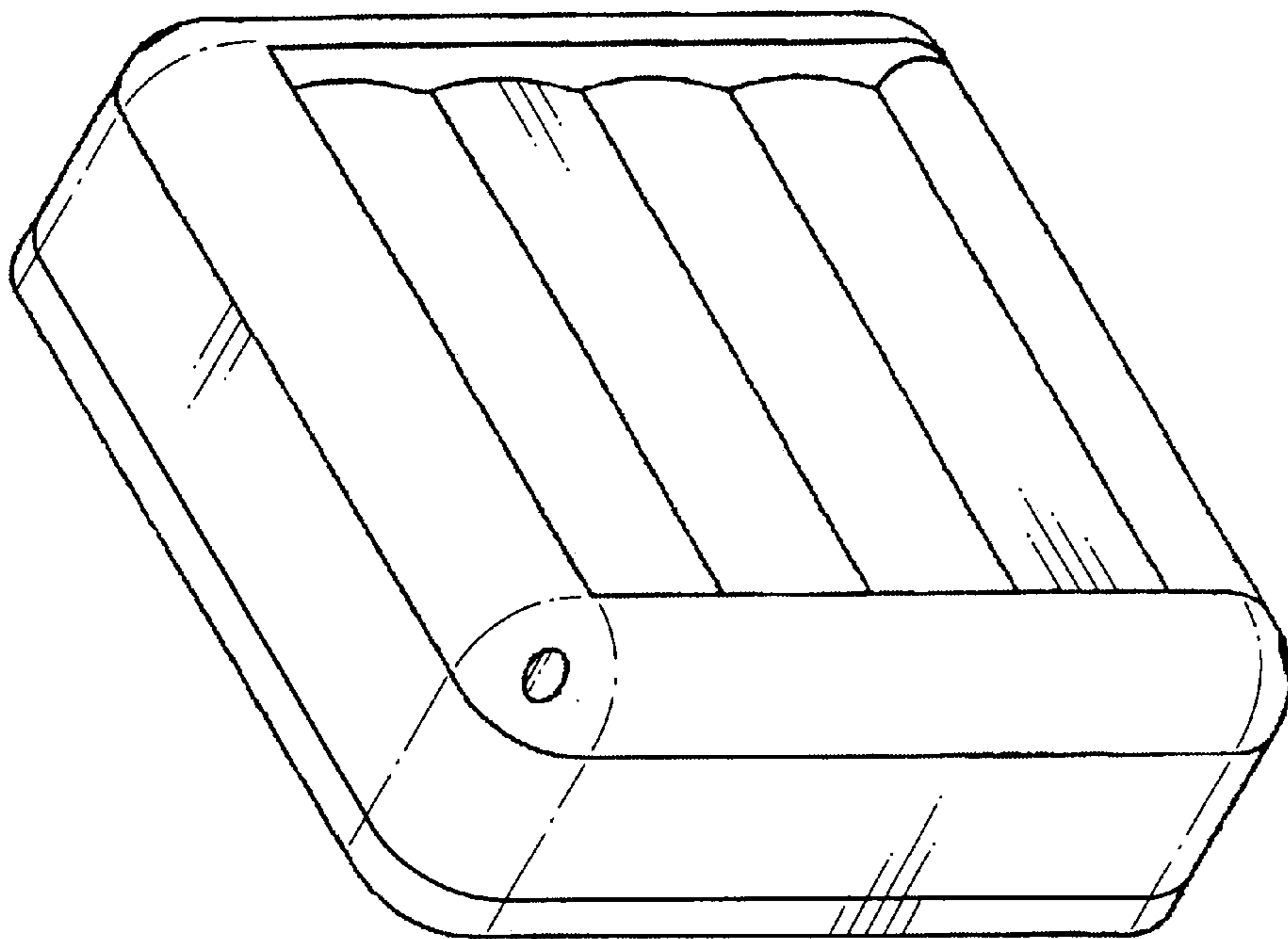


FIG. 1

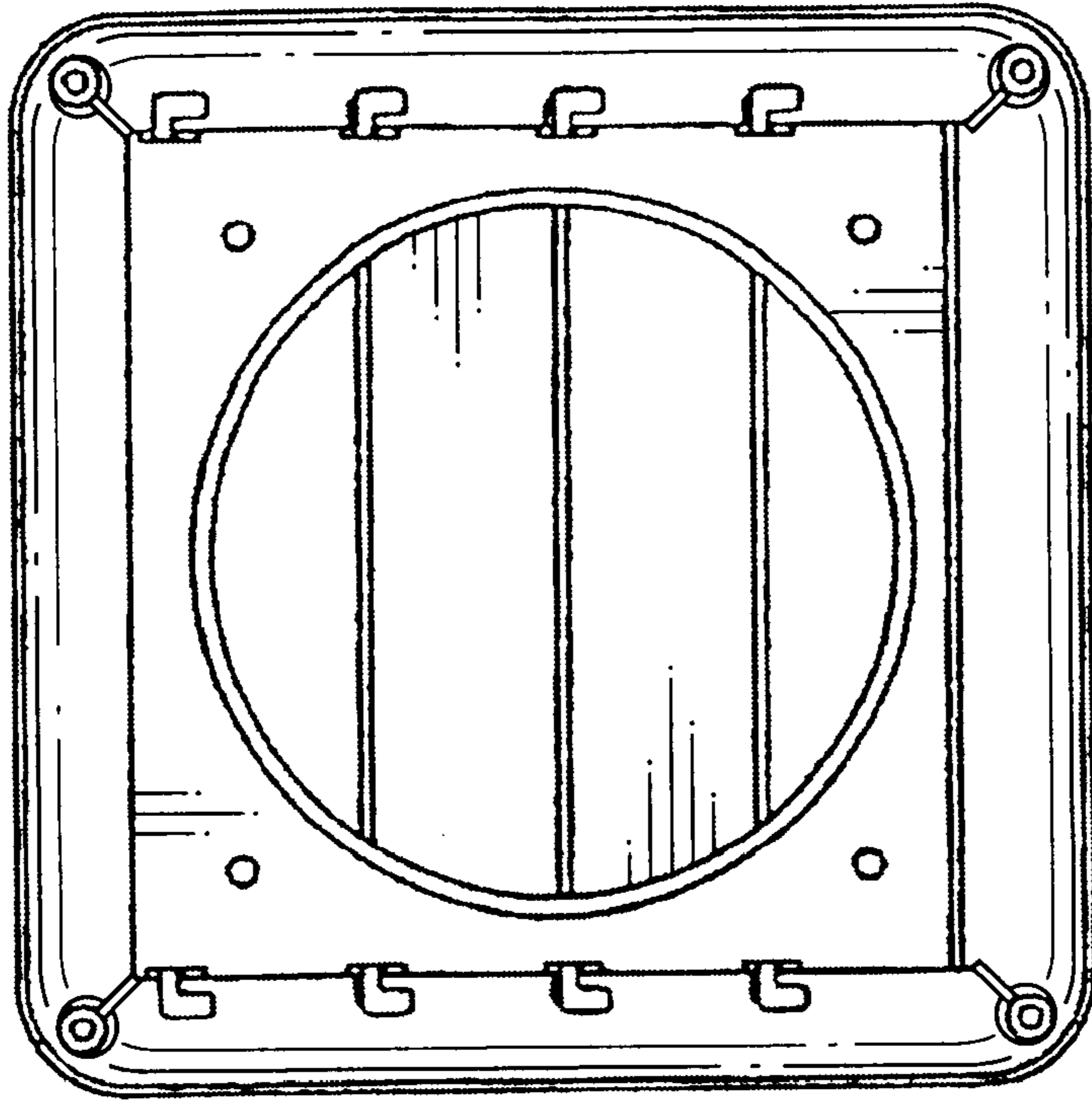


FIG. 4

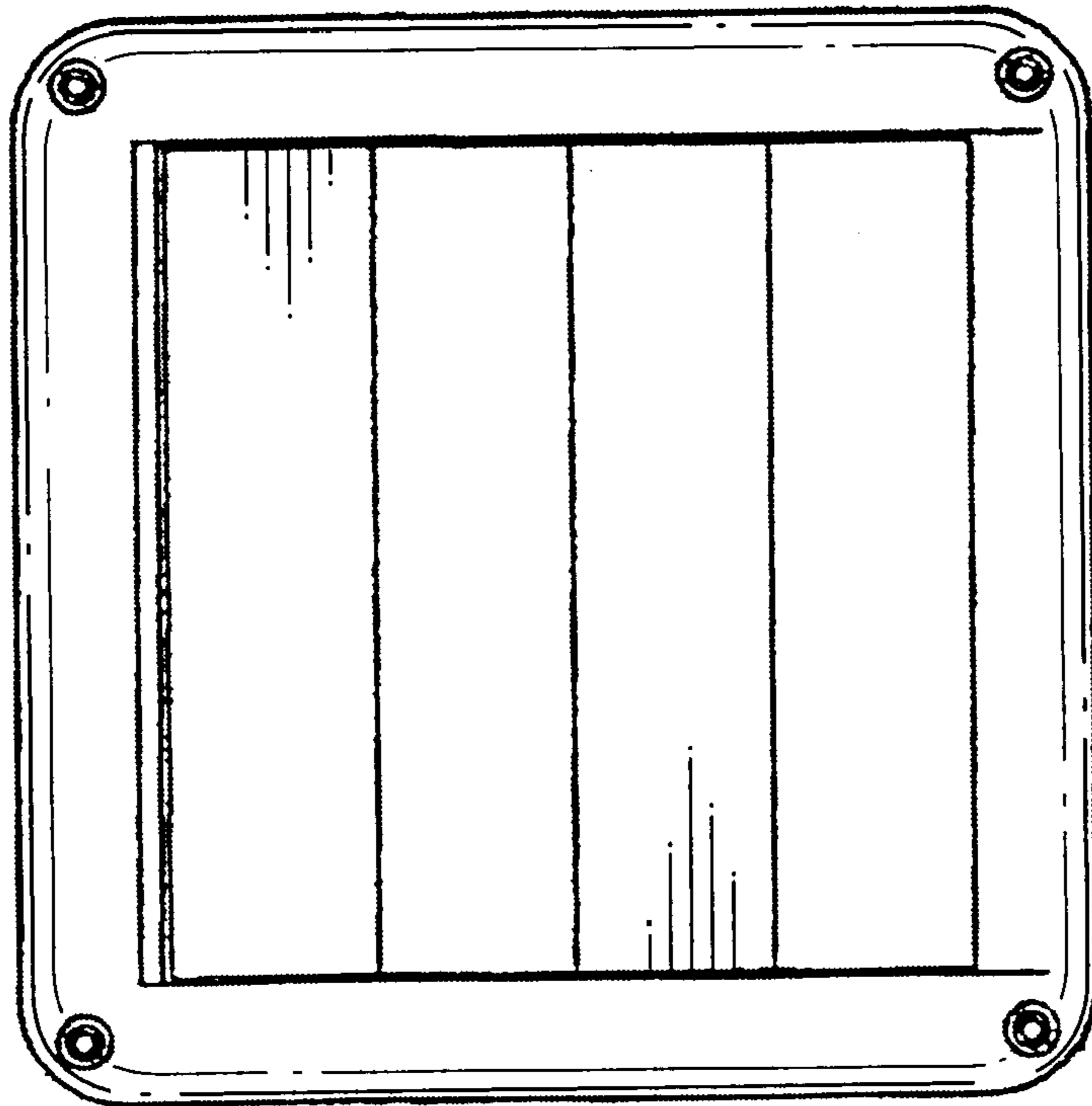


FIG. 3

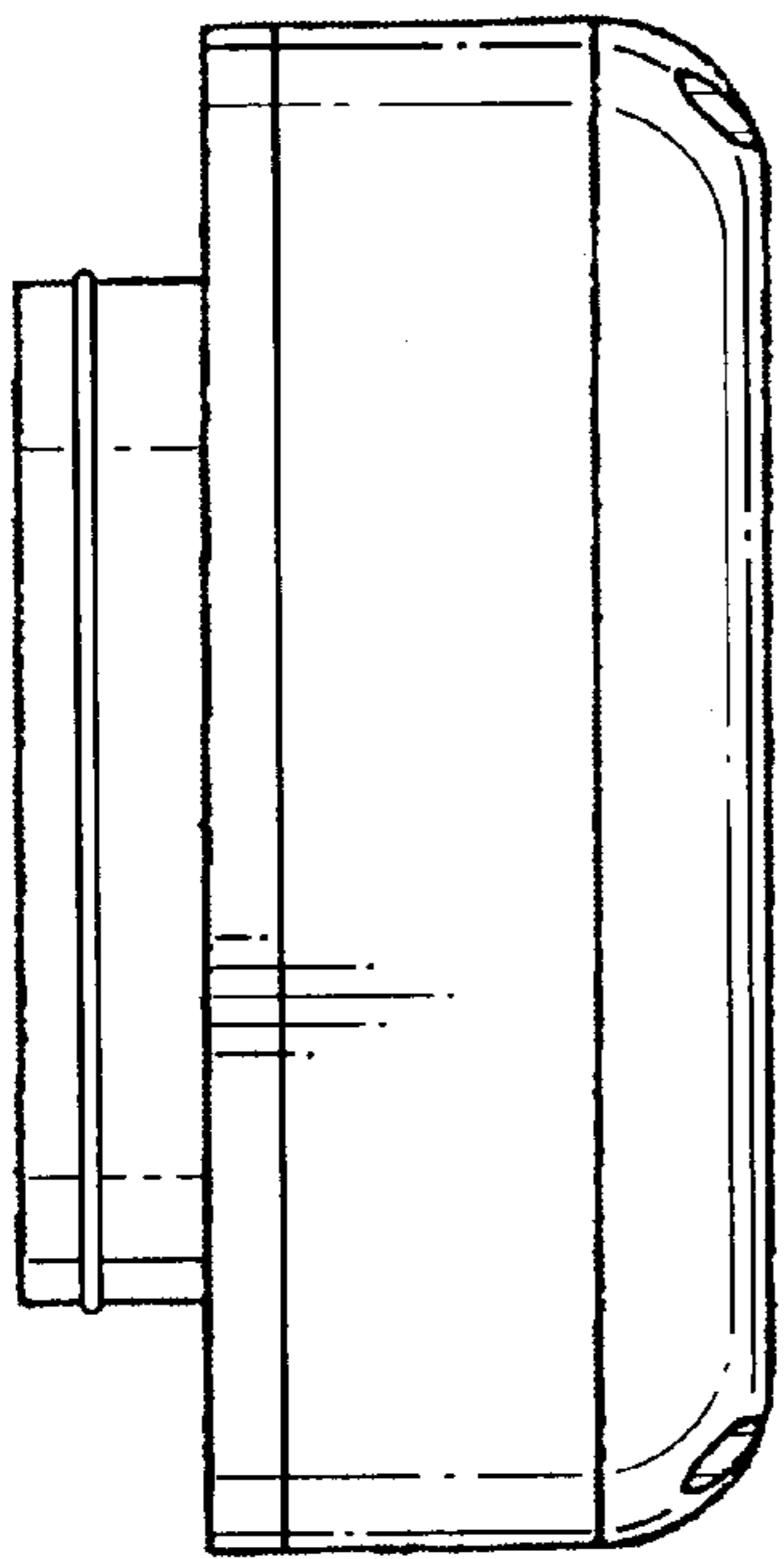


FIG. 5

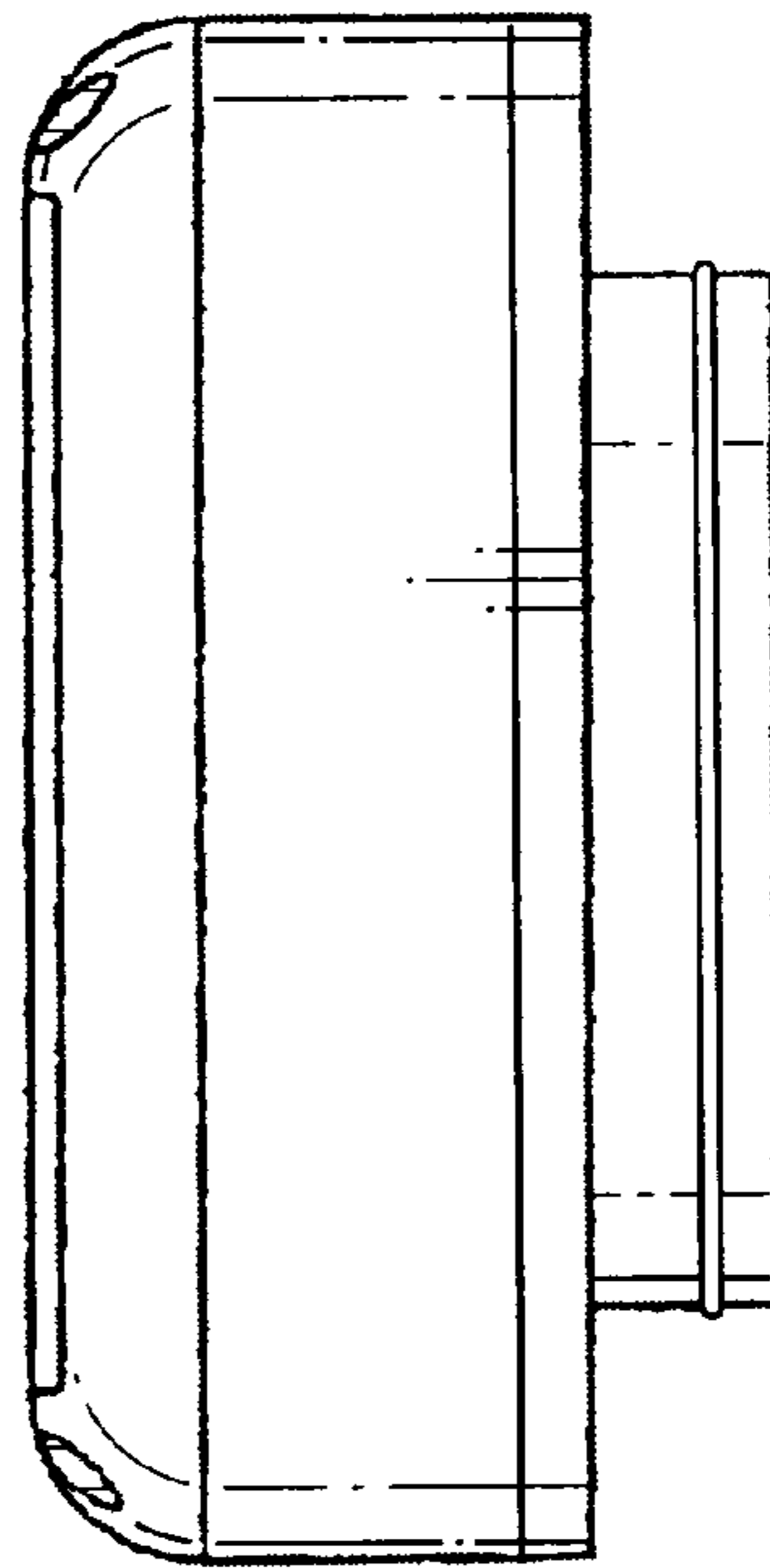


FIG. 6

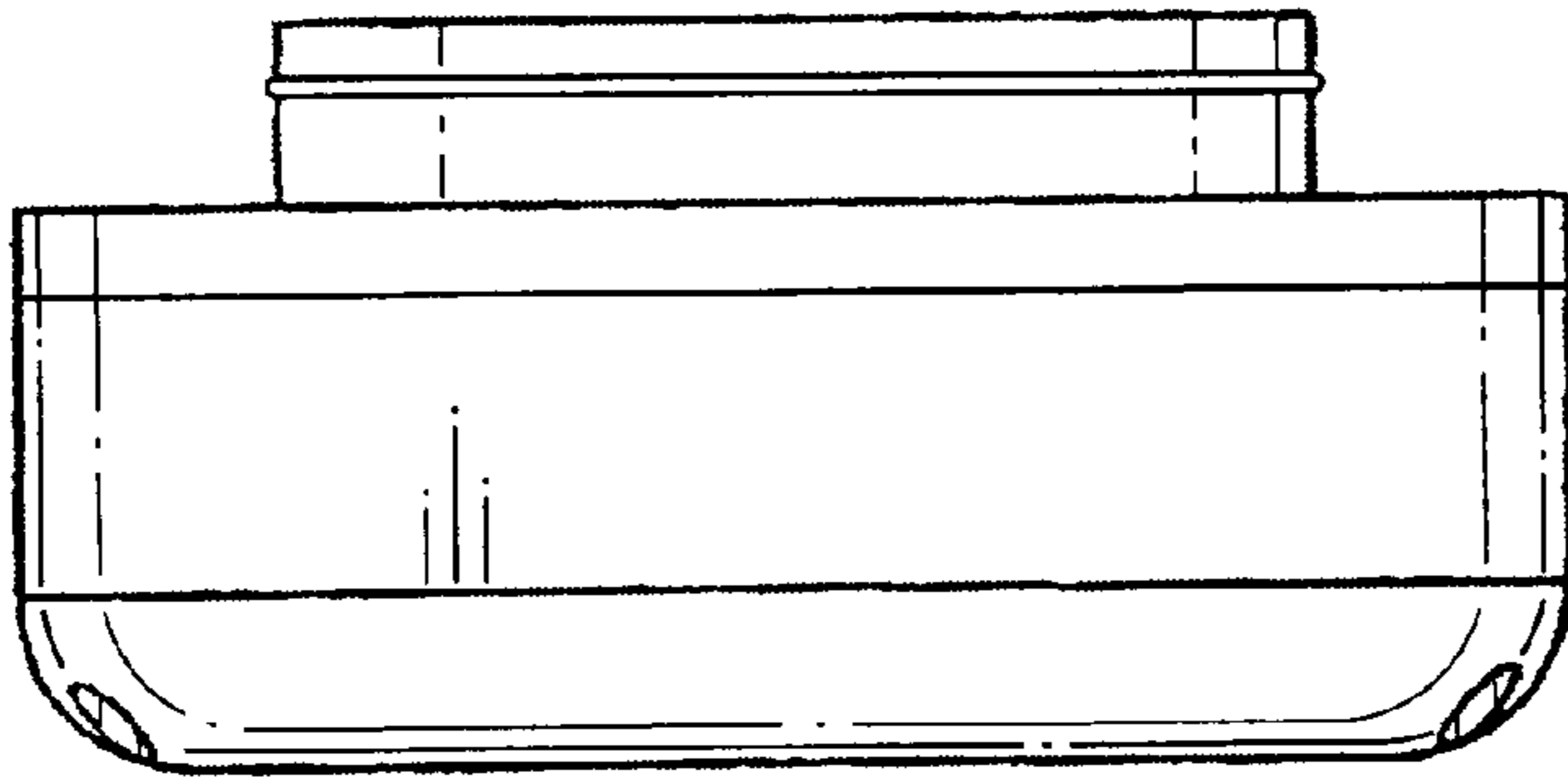


FIG. 7