

US00D524928S

(12) **United States Design Patent**
Young

(10) **Patent No.:** **US D524,928 S**
(45) **Date of Patent:** **** Jul. 11, 2006**

(54) **COMBINATION CEILING FAN AND LIGHT FIXTURE**

(75) Inventor: **Stanfield Young**, Los Alamitos, CA (US)

(73) Assignee: **Minka Lighting, Inc.**, Corona, CA (US)

(**) Term: **14 Years**

(21) Appl. No.: **29/235,370**

(22) Filed: **Aug. 1, 2005**

(51) **LOC (8) Cl.** **23-04**

(52) **U.S. Cl.** **D23/377; 23/379; 26/59**

(58) **Field of Classification Search** D23/377,
D23/379, 385, 411, 413; 416/5; D26/59,
D26/72, 81-88, 51

See application file for complete search history.

(56) **References Cited**

U.S. PATENT DOCUMENTS

D321,935 S	11/1991	Ignon	
D323,028 S	* 1/1992	Holbrook D23/377
5,462,407 A	10/1995	Calvo	
D393,902 S	4/1998	Pickett	
D435,289 S	12/2000	Liu	
D435,900 S	1/2001	Dye	
D449,683 S	* 10/2001	Gajewski D23/413
D483,474 S	12/2003	Young	
D514,216 S	* 1/2006	Hidalgo D23/377

OTHER PUBLICATIONS

Hampton Bay Ceiling Fans Catalog; vol. 1; Spring/Summer 2004; p. 38.

Minka Lighting Inc; MinkaAire 2004 Catalog; pp. 52-53.

Minka Lighting Inc; MinkaAire 2005 Catalog; Jan. 2005; pp. 78-79.

Lamps Plus Internet Catalog; Casablanca Ventura II, Model #89125-57276; www.lampsplus.com.

Casablanca Internet Catalog; Malibu Star; Model #23B002; www.casablancafanco.com.

Casablanca Internet Catalog; Avalon Blade System; Model #B31B; www.casablancafanco.com.

Monte Carlo Internet Catalog; Vera Cruz; Model #VC5B06, 5VC0P, 5VCFB; 5VC0C, 5VCWH.

Kichler Internet Catalog; Nautical Sail; Model #35025; printed from www.lowes.com.

Emerson Internet Catalog; Maul Bay; from www.ceiling-fanoutlet.com.

Fanimation Internet Catalog; Islander; from www.ceiling-fanoutlet.com.

* cited by examiner

Primary Examiner—Lisa Lichtenstein

(74) *Attorney, Agent, or Firm*—Baker & McKenzie LLP

(57) **CLAIM**

The ornamental design for a combination ceiling fan and light fixture, as shown and described.

DESCRIPTION

FIG. 1 is a perspective view from below of a combination ceiling fan and light fixture in accordance with my design;

FIG. 2 is a top plan view of the combination ceiling fan and light fixture in accordance with my design;

FIG. 3 is a bottom plan view of the combination ceiling fan and light fixture in accordance with my design;

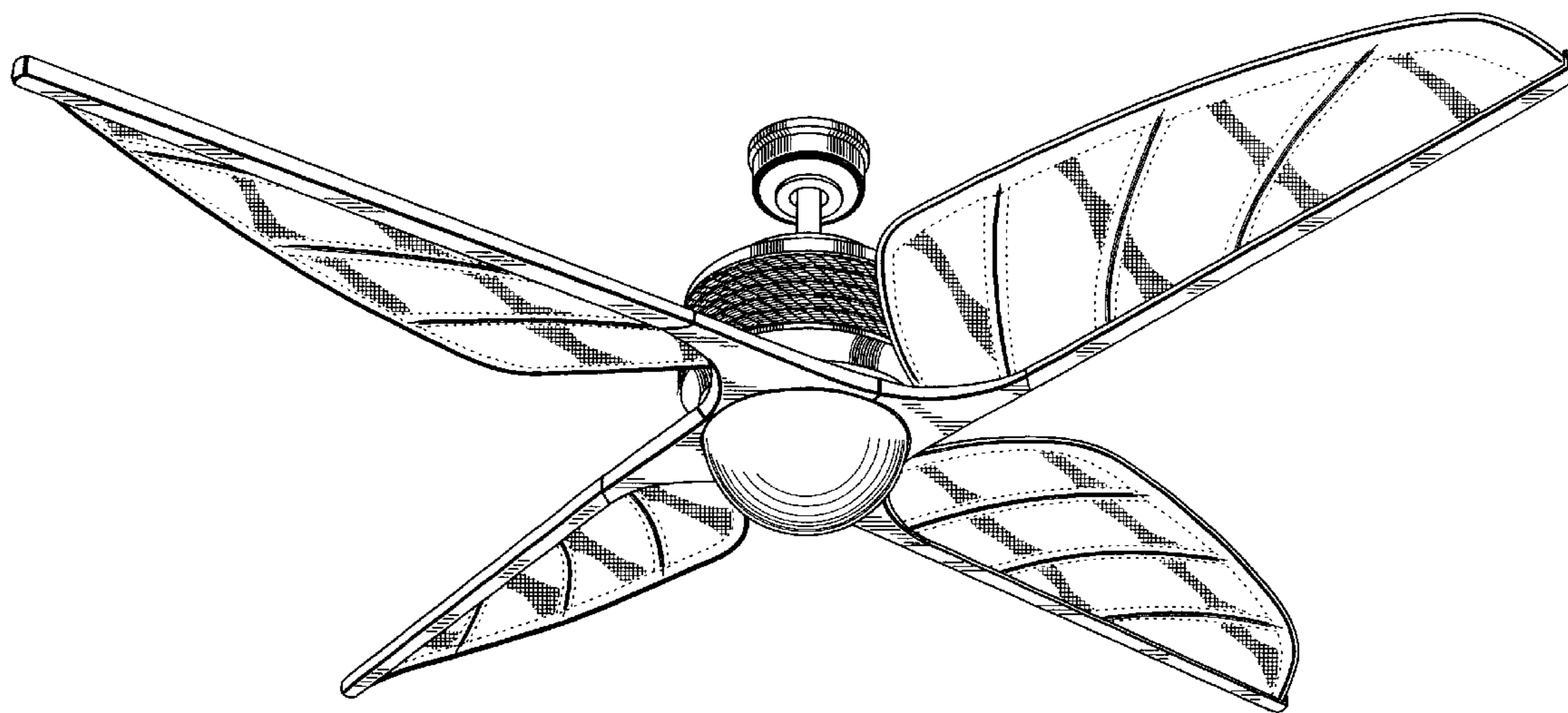
FIG. 4 is a front elevation view of the combination ceiling fan and light fixture in accordance with my design; and,

FIG. 5 is a side elevation view of the combination ceiling fan and light fixture in accordance with my design, the opposite side being a mirror image of that shown.

FIGS. 4 and 5 are identical except for the positioning of the fan blades.

The broken lines on the fan blades are understood to represent stitching.

1 Claim, 5 Drawing Sheets



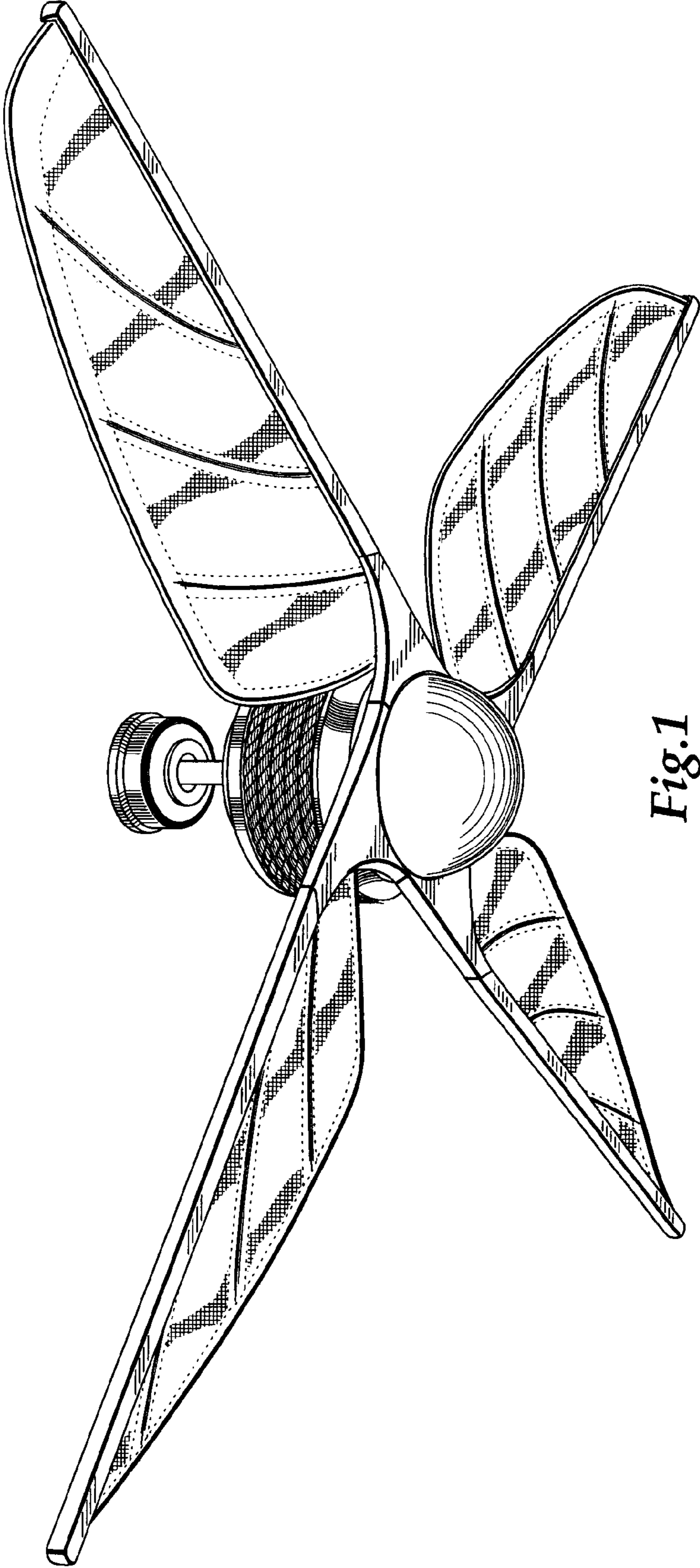


Fig. 1

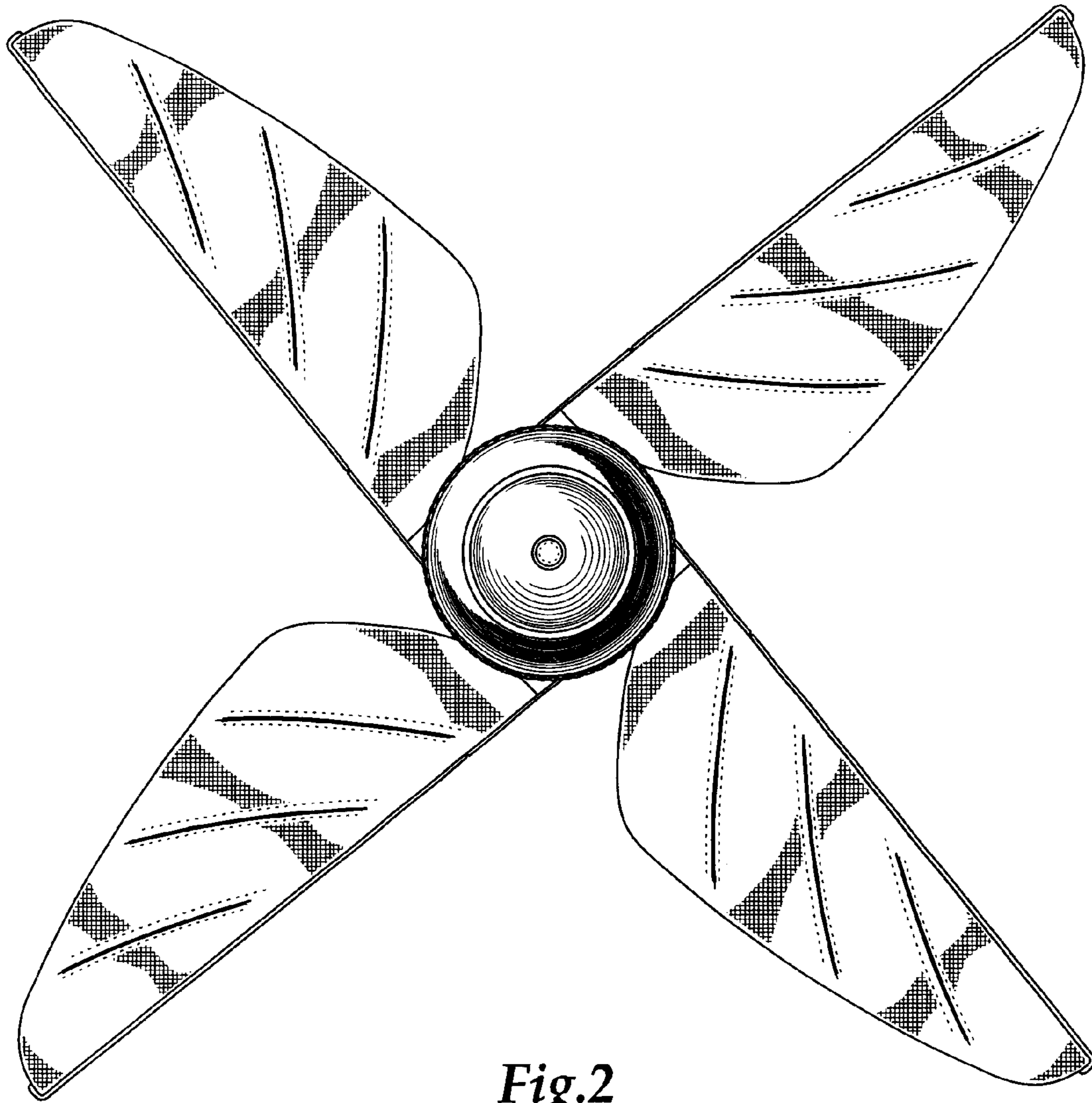


Fig.2

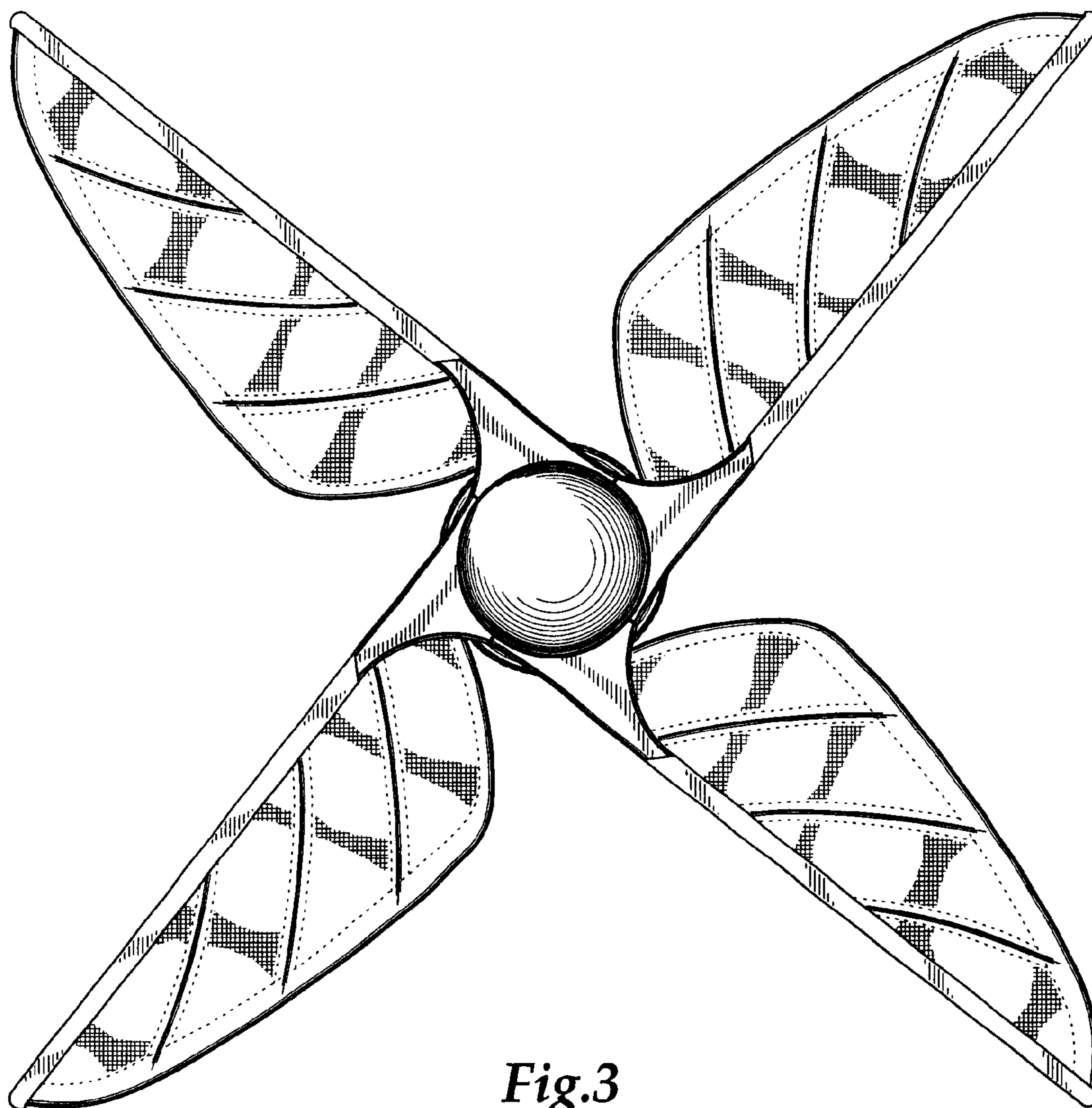


Fig.3

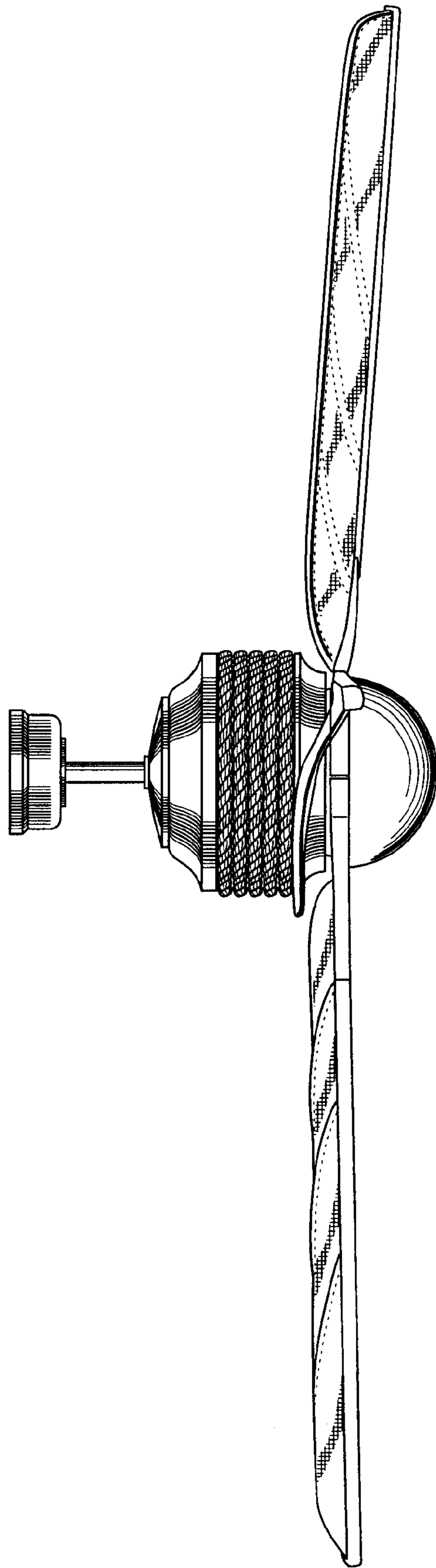


Fig. 4

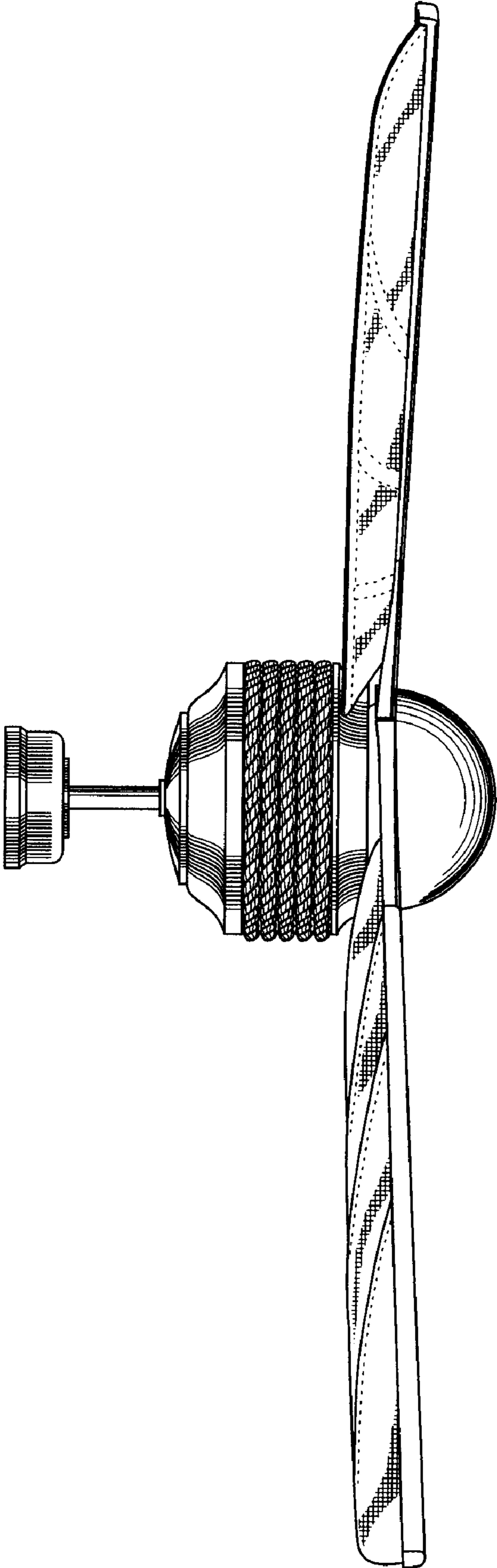


Fig.5