



US00D524924S

(12) **United States Design Patent** (10) **Patent No.:** **US D524,924 S**  
**Lanius** (45) **Date of Patent:** **\*\* Jul. 11, 2006**

(54) **TUB FOR BATHING**

(75) Inventor: **Jason T. Lanius**, Sheboygan, WI (US)

(73) Assignee: **Kohler Canada Co.**, Thornhill

(\*\*) Term: **14 Years**

(21) Appl. No.: **29/212,981**

(22) Filed: **Sep. 10, 2004**

(51) **LOC (8) Cl.** ..... **23-02**

(52) **U.S. Cl.** ..... **D23/277**

(58) **Field of Classification Search** ..... D23/273,  
D23/276-277, 280.1-280.3, 303-306; D24/204-205;  
4/538, 584

See application file for complete search history.

(56) **References Cited**

**U.S. PATENT DOCUMENTS**

2,143,033	A	1/1939	Sakier	
D331,622	S	* 12/1992	Dannenberg	..... D23/277
D407,148	S	* 3/1999	Smith et al.	..... D23/277
D428,475	S	* 7/2000	Thomas	..... D23/277
D440,640	S	4/2001	Walsh	
D443,046	S	5/2001	Primucci et al.	
D454,181	S	3/2002	Bertoli	
D485,603	S	1/2004	Lyons	
D490,144	S	* 5/2004	Lanius	..... D23/280.1

**OTHER PUBLICATIONS**

Kohler catalog p. 8.60, Proflex Whirlpools, Proflex 7236.  
Integrity Collection, baths, supplier unknown, undated.

\* cited by examiner

*Primary Examiner*—Robert A Delehanty

(74) *Attorney, Agent, or Firm*—Quarles & Brady LLP

(57) **CLAIM**

The ornamental design for a tub for bathing, as shown and described.

**DESCRIPTION**

In a preferred embodiment, the nature of this product is as a plumbing fixture in the form of a bathing tub primary useful for washing the human body.

FIG. 1 is a right, top, front perspective view of a tub for bathing embodying my new design;

FIG. 2 is a top plan view thereof;

FIG. 3 is a front elevational view thereof;

FIG. 4 is a right side elevational view thereof;

FIG. 5 is a left side elevational view thereof;

FIG. 6 is a rear elevational view thereof;

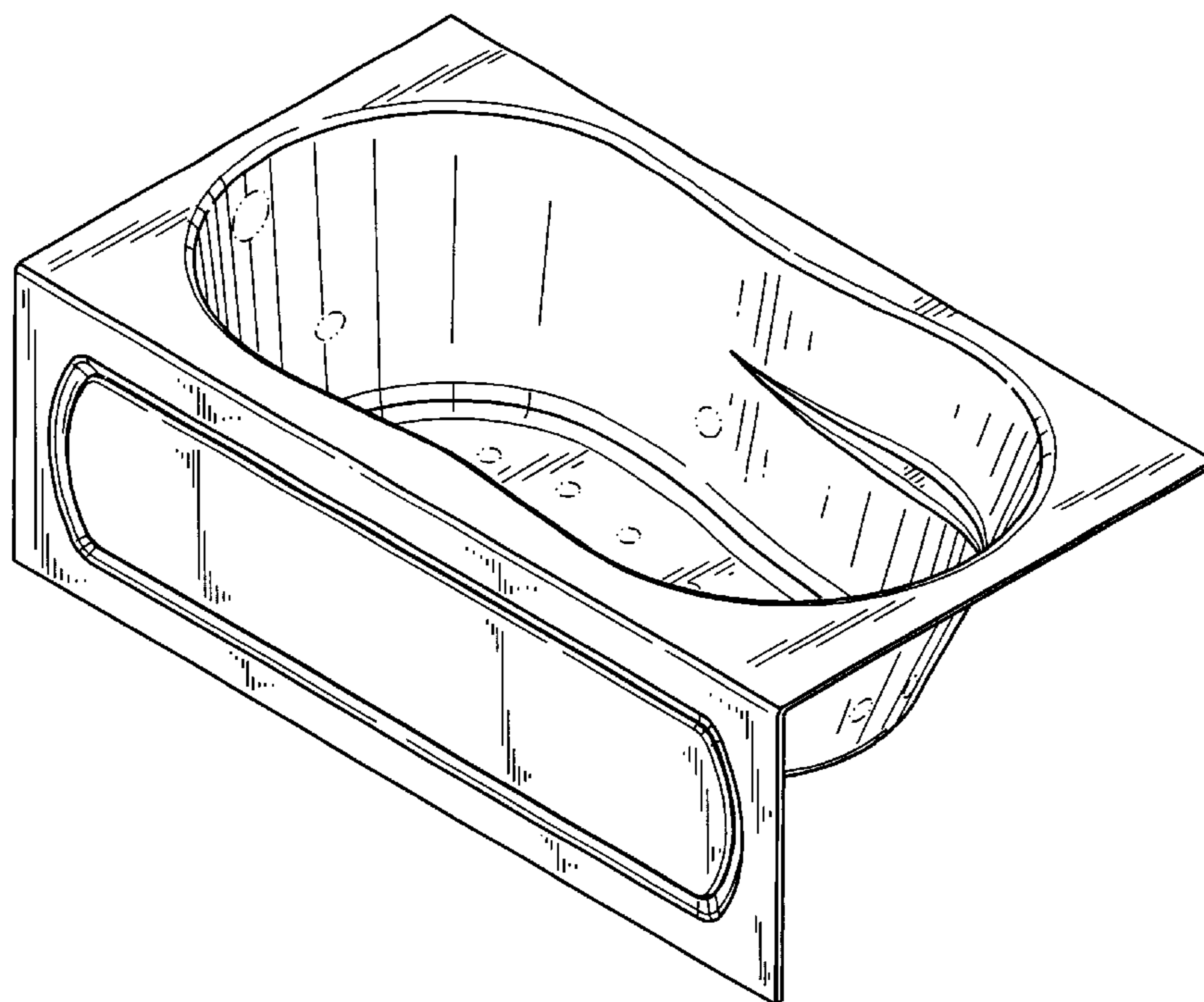
FIG. 7 is a bottom plan view thereof;

FIG. 8 is a left, top, front perspective view of a tub for bathing according to another embodiment of my new design, the front elevational view thereof being identical to FIG. 3, the rear elevational view thereof being a mirror image of FIG. 6, the bottom plan view thereof being a mirror image of FIG. 7 and the left and right elevational views thereof being mirror images of respective FIGS. 4 and 5; and,

FIG. 9 is a top plan view thereof.

The broken line representations of holes in the figures are for the purpose of illustration only, and form no part of the claimed design.

**1 Claim, 4 Drawing Sheets**



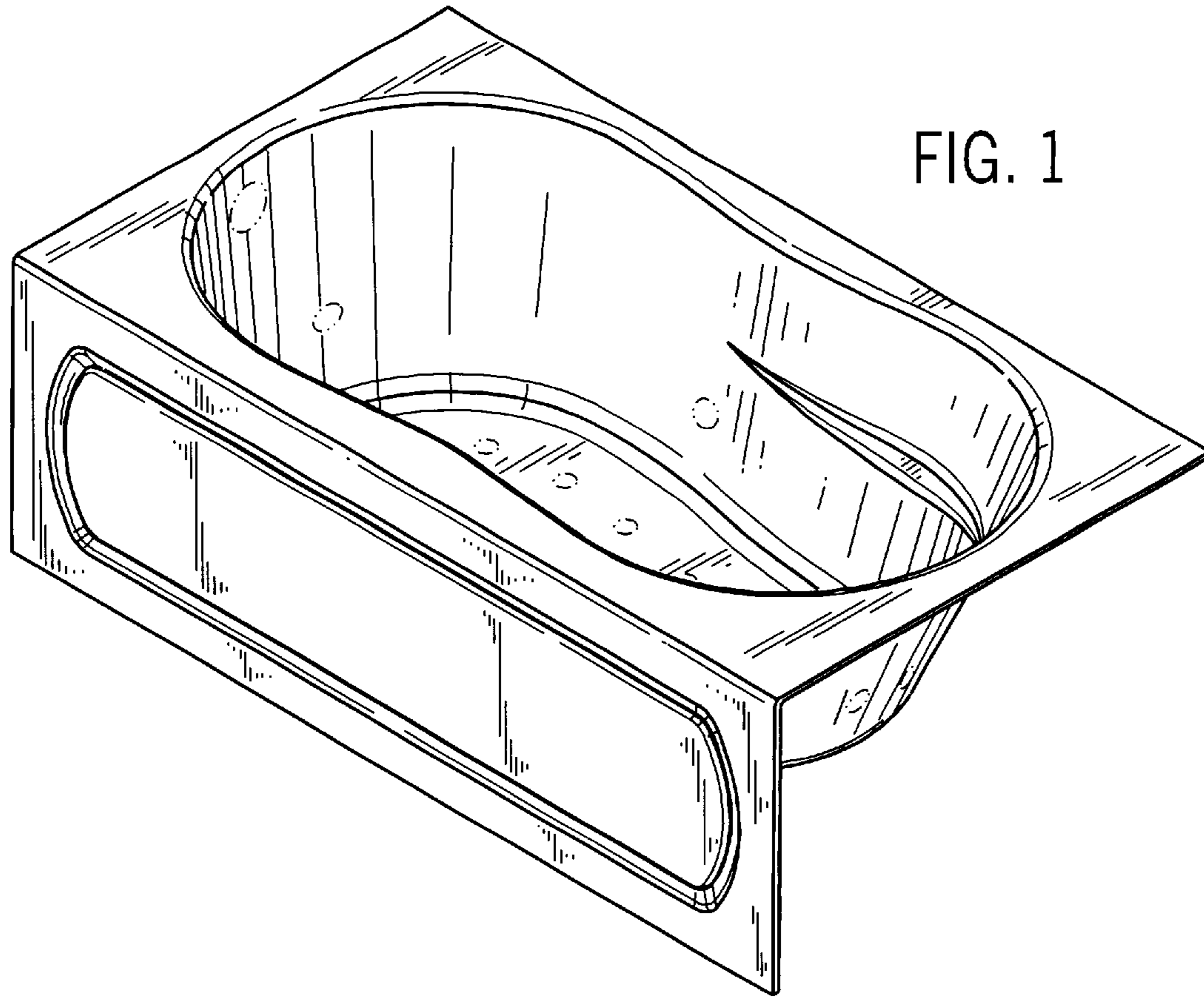


FIG. 1

FIG. 2

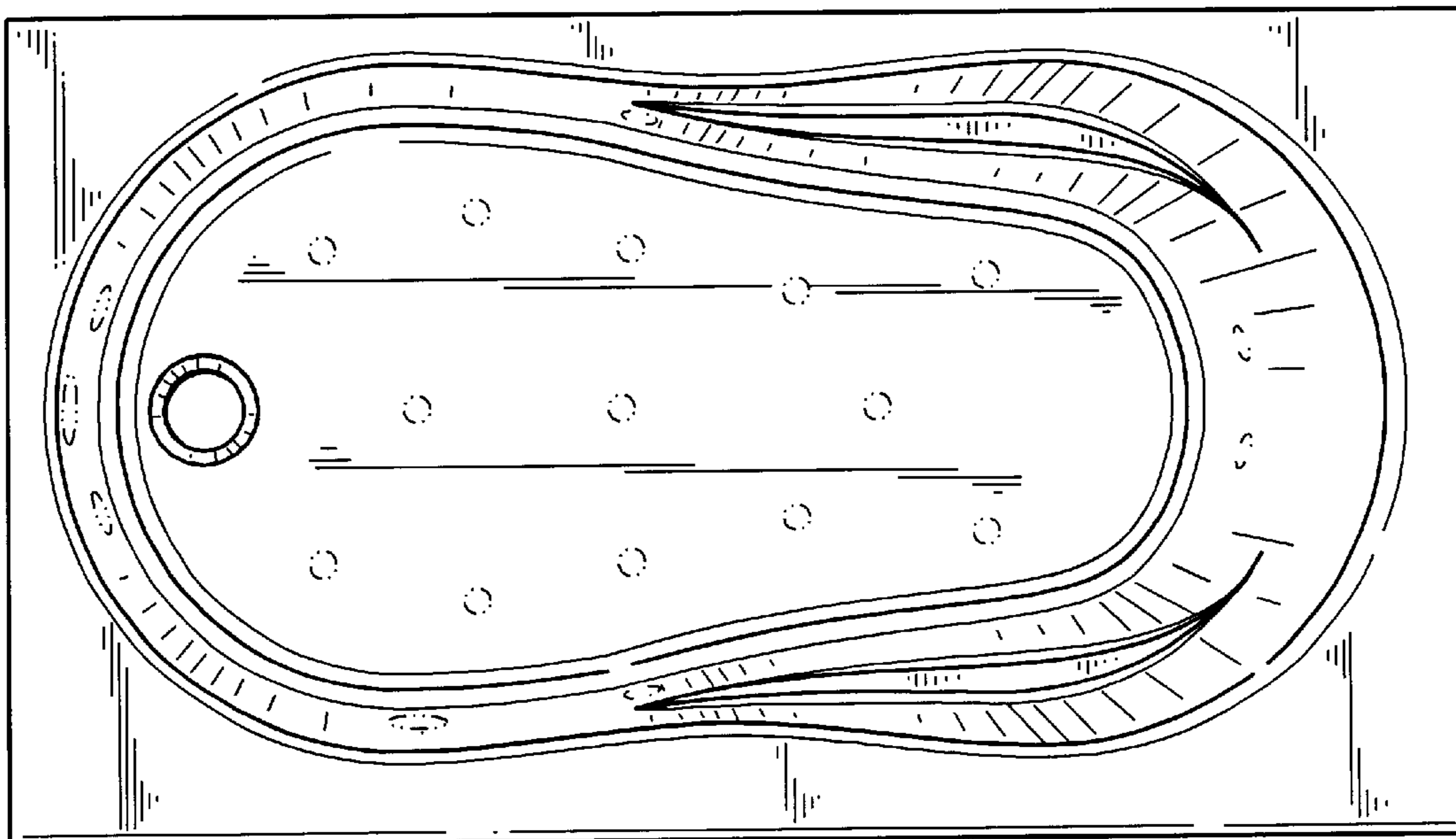


FIG. 3

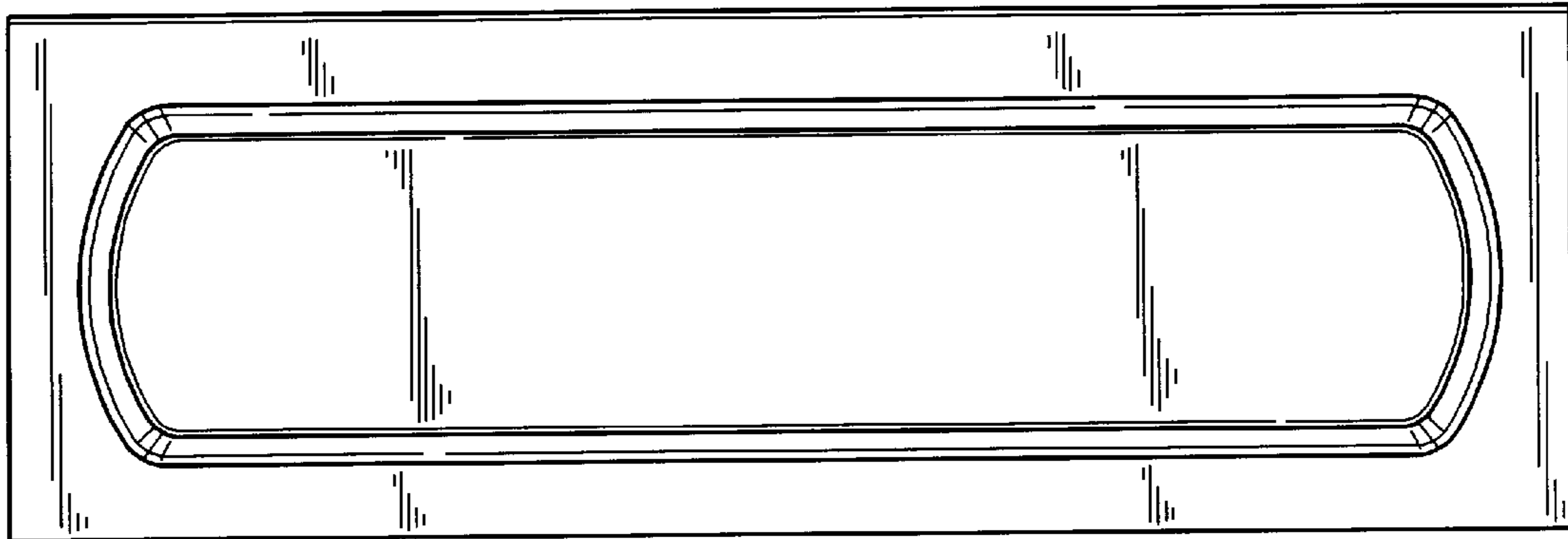


FIG. 4

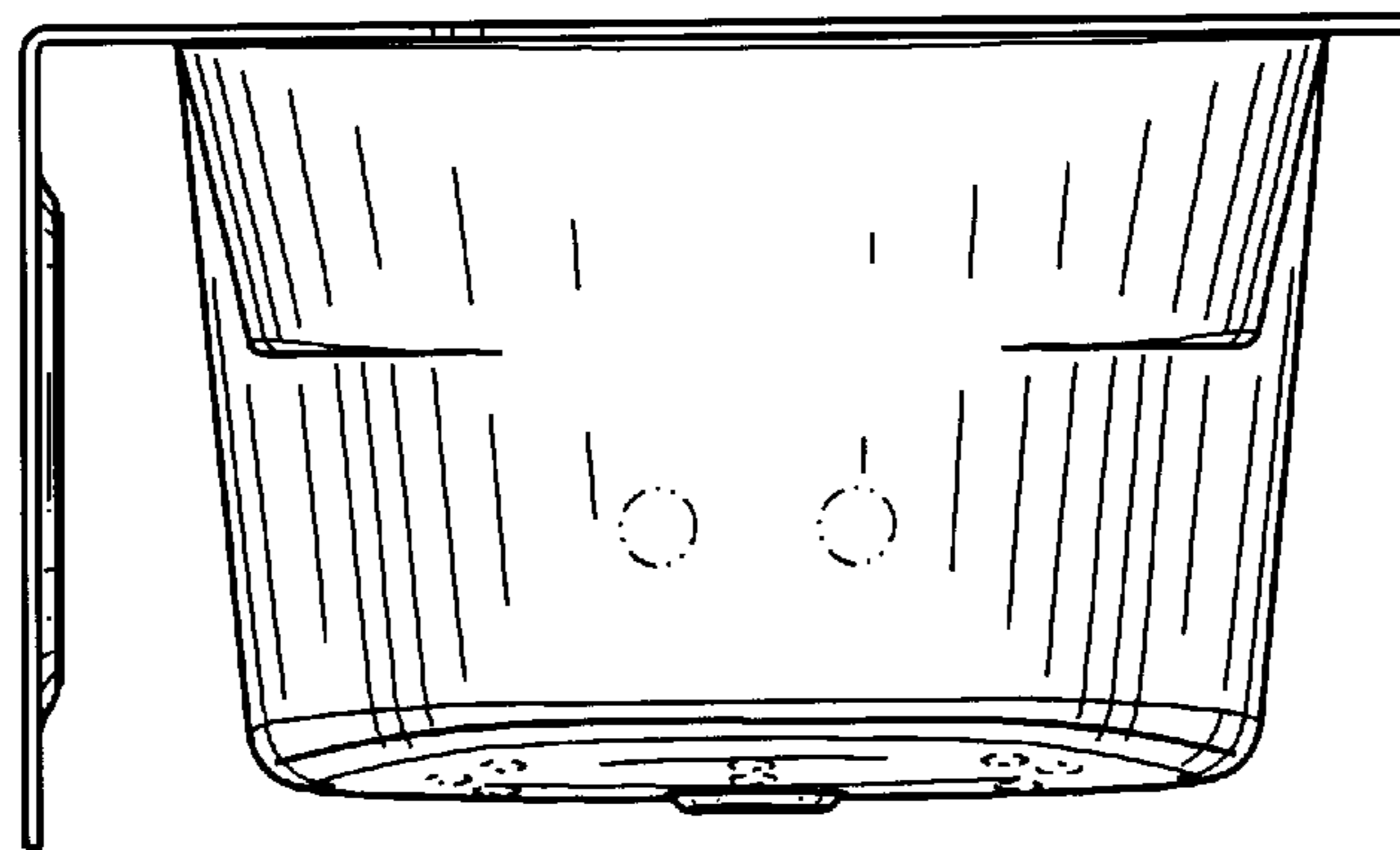


FIG. 5

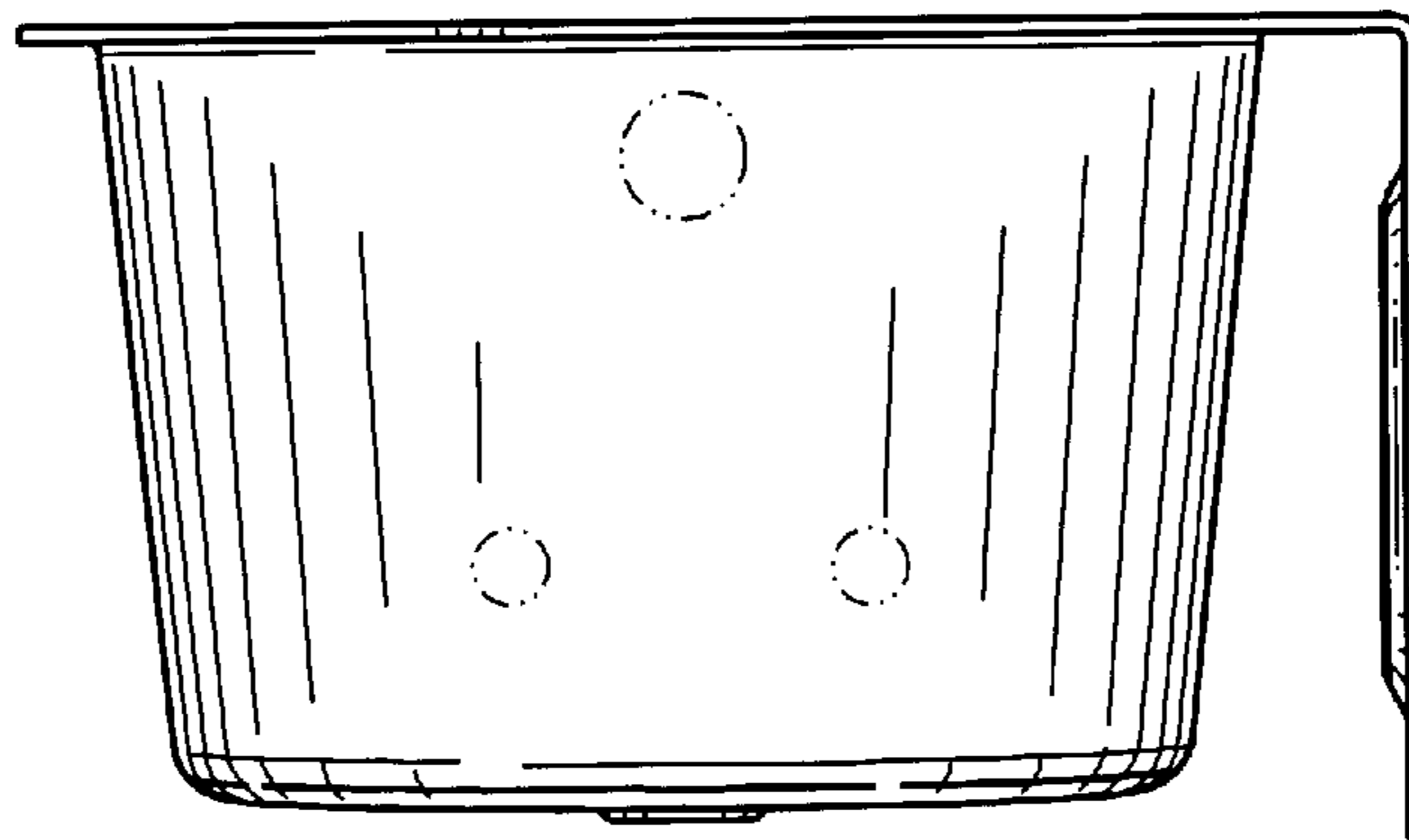


FIG. 6

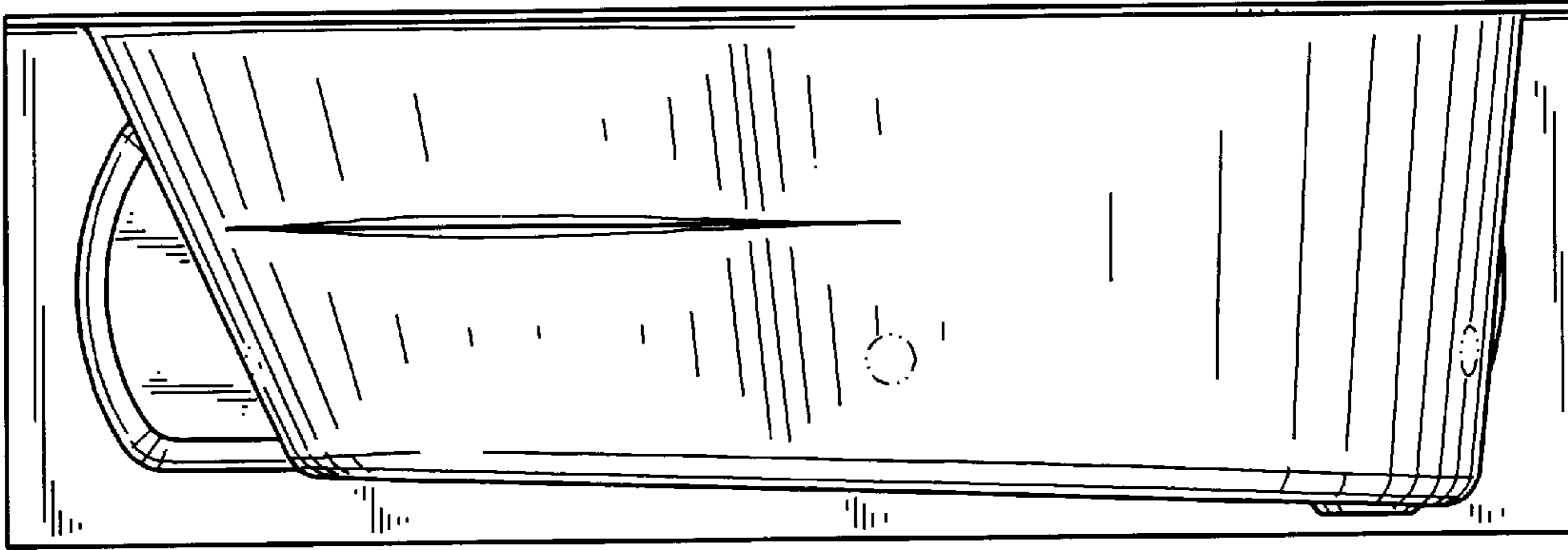


FIG. 7

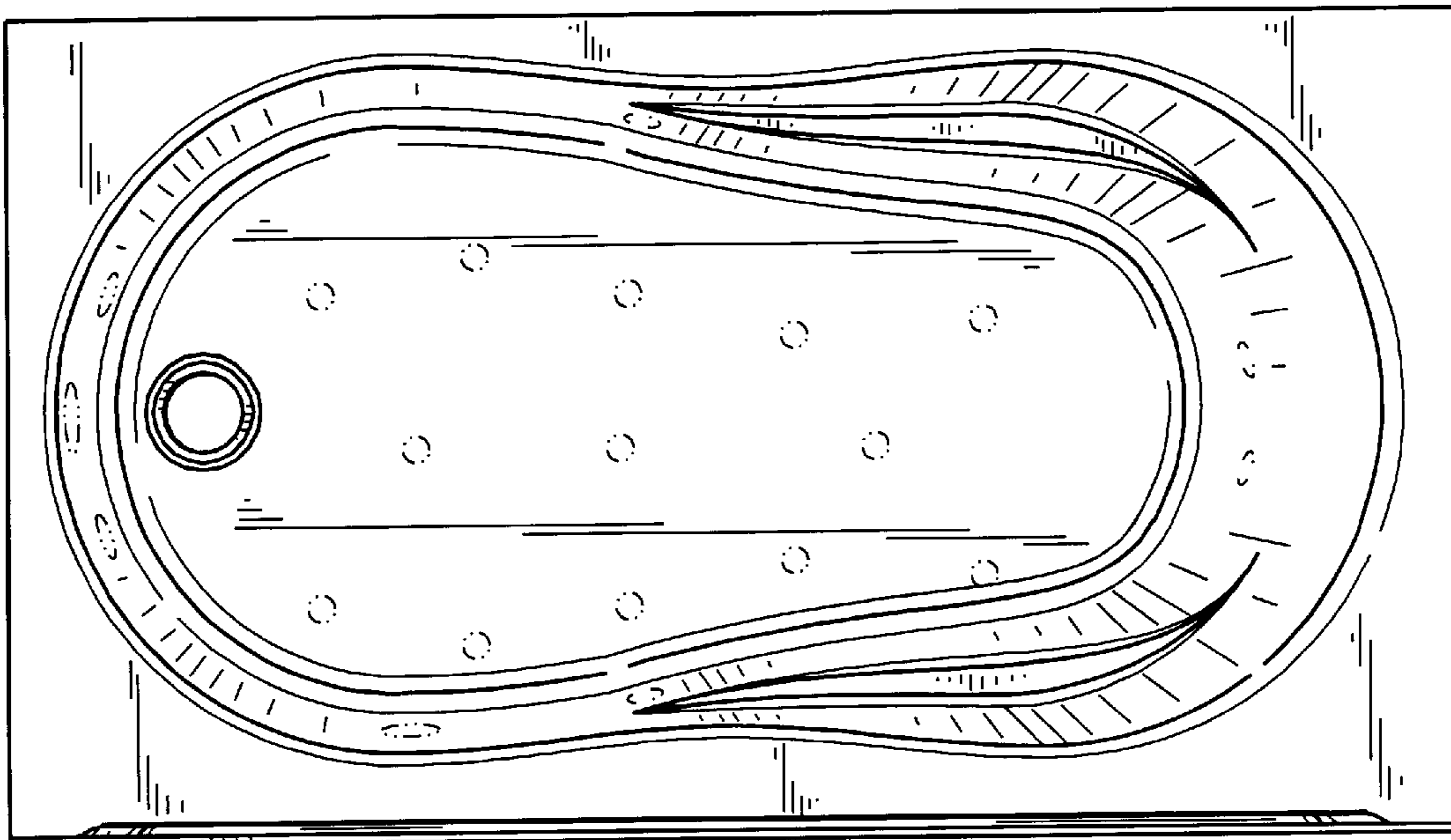




FIG. 8

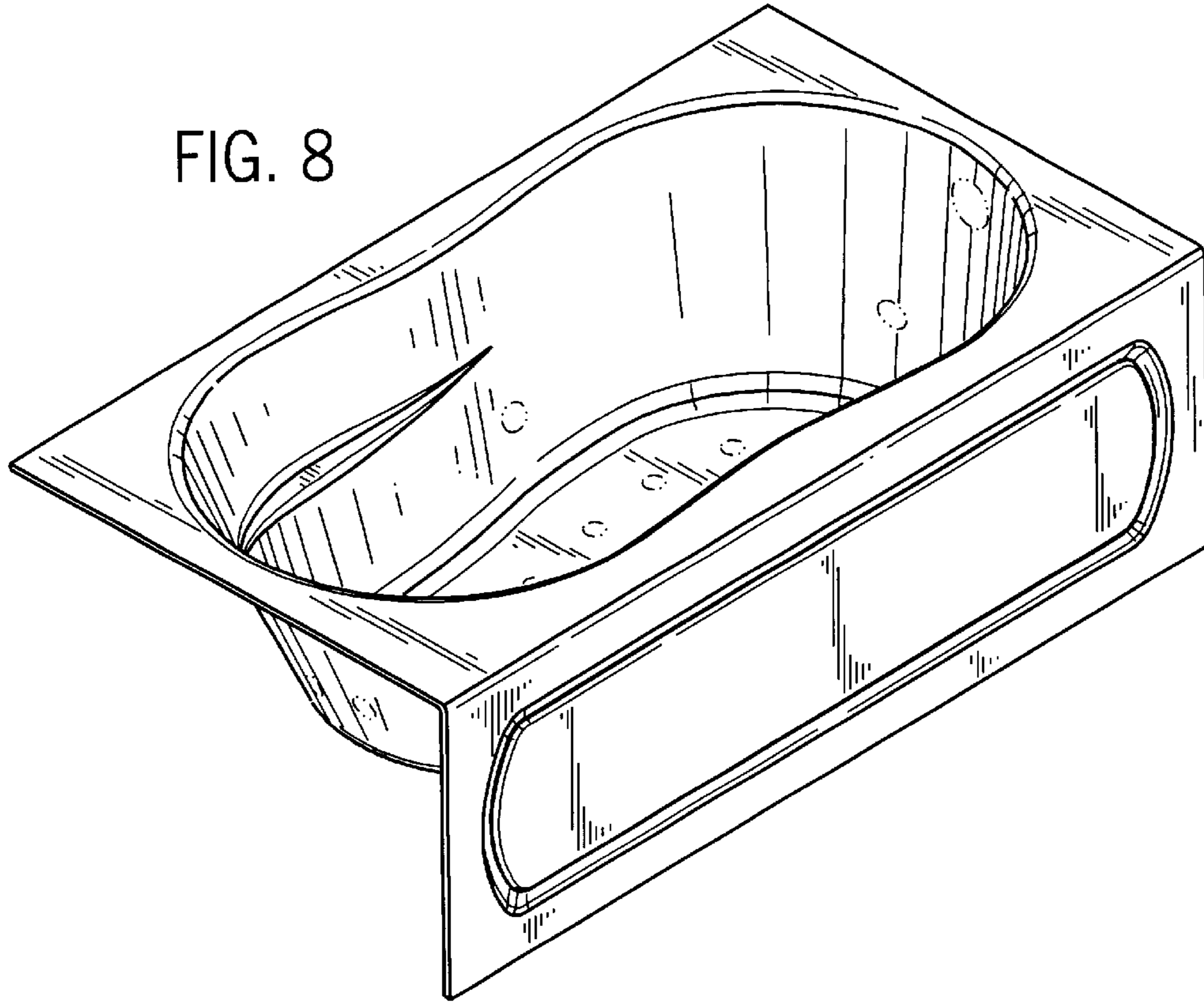


FIG. 9

