



US00D524922S

(12) **United States Design Patent**  
**Gilbert**

(10) **Patent No.:** **US D524,922 S**  
(45) **Date of Patent:** **\*\* Jul. 11, 2006**

(54) **SPOUT**  
(75) Inventor: **Christopher Jon Gilbert**, Moreland Hills, OH (US)  
(73) Assignee: **Meon Incorporated**, North Olmsted, OH (US)  
(\*\*) Term: **14 Years**  
(21) Appl. No.: **29/221,205**  
(22) Filed: **Jan. 12, 2005**  
(51) **LOC (8) Cl.** ..... **23-01**  
(52) **U.S. Cl.** ..... **D23/255**  
(58) **Field of Classification Search** ..... D23/238-257;  
4/675-678; 137/801  
See application file for complete search history.

D293,362 S 12/1987 Hill et al.  
D293,601 S 1/1988 Hill et al.  
D296,354 S 6/1988 Fabian  
D300,653 S 4/1989 Paul  
D303,284 S 9/1989 Paul  
D326,901 S 6/1992 Yost  
D341,875 S 11/1993 Allen et al.  
D347,883 S 6/1994 Kolada et al.  
D350,812 S 9/1994 Kolada et al.  
D352,547 S 11/1994 McKeone  
D361,370 S 8/1995 Fabian  
D382,940 S 8/1997 Ku  
D389,898 S 1/1998 Delker et al.  
D389,899 S 1/1998 Nguyen et al.  
D393,695 S 4/1998 Ku  
D415,825 S 10/1999 Chang et al.  
D417,262 S 11/1999 Caplow  
D421,489 S 3/2000 Fabian  
D429,316 S 8/2000 McKeone  
D445,877 S 7/2001 Paredes  
6,317,905 B1 11/2001 Slothower

(56) **References Cited**  
U.S. PATENT DOCUMENTS

D76,790 S 11/1928 Fraser  
D76,925 S 11/1928 Frankenberger  
D76,996 S 11/1928 Fraser  
D77,334 S 12/1928 Thompson  
D77,377 S 1/1929 Thompson  
D77,453 S 1/1929 Smith  
D78,619 S 5/1929 Frankenberger  
D82,360 S 10/1930 Albert  
D83,923 S 4/1931 Sakier  
D84,508 S 6/1931 Bloch  
D87,829 S 9/1932 Ferguson  
D96,839 S 9/1935 Johnston  
D117,171 S 10/1939 Fraser  
D140,692 S 3/1945 Judell  
D149,195 S 4/1948 Little  
D153,907 S 5/1949 Smolensky  
2,591,991 A 4/1952 Young  
D181,532 S 11/1957 Hurwitz  
D209,380 S 11/1967 DuBois  
D211,343 S 6/1968 Jones  
D250,272 S 11/1978 Jones  
D280,008 S 8/1985 Miller et al.  
D280,009 S 8/1985 Miller et al.

(Continued)

*Primary Examiner*—Louis S. Zarfaz  
*Assistant Examiner*—Gregory Andoll  
(74) *Attorney, Agent, or Firm*—Calfee, Halter & Griswold LLP

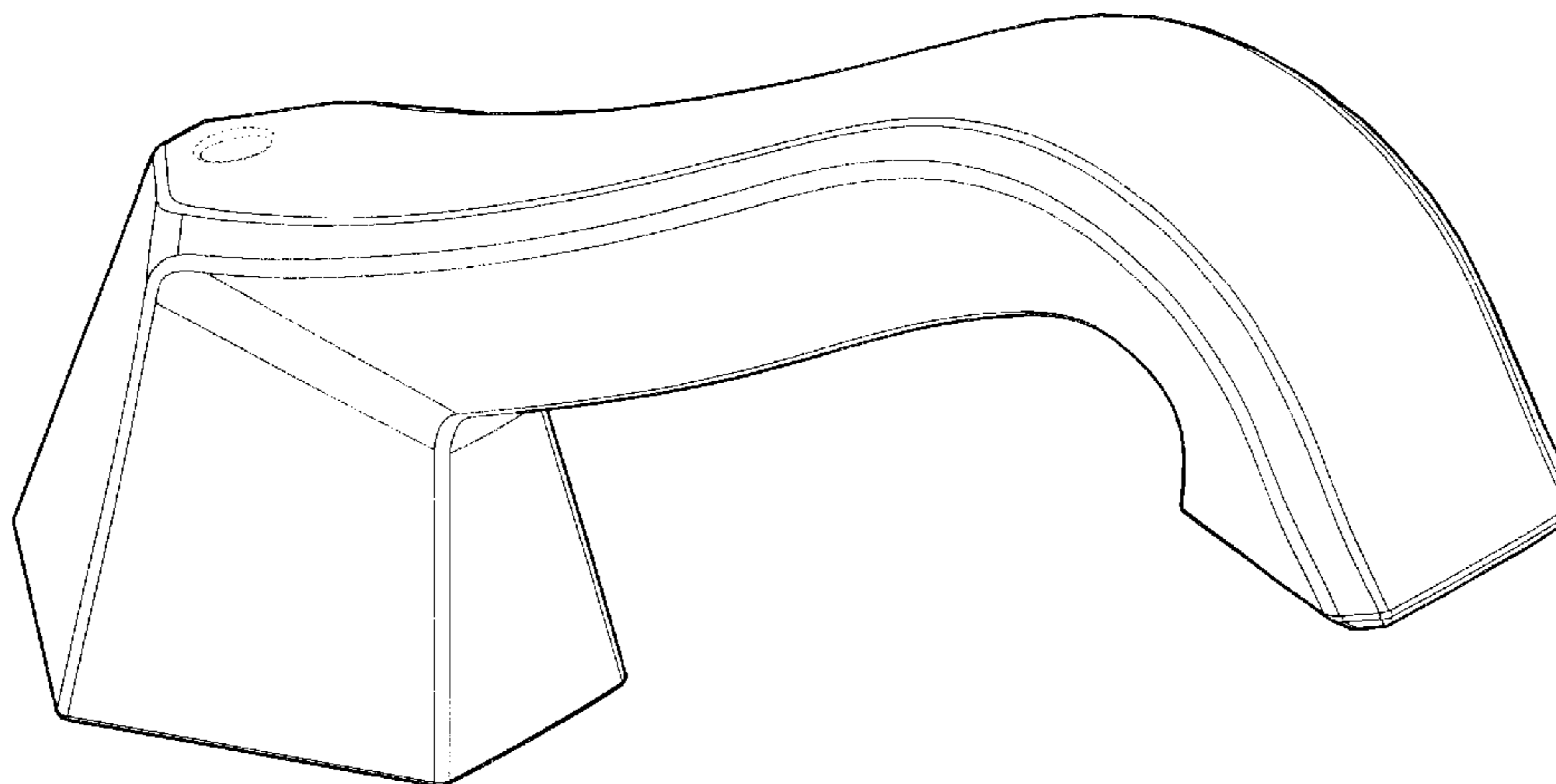
(57) **CLAIM**

The ornamental design for a spout, as shown and described.

**DESCRIPTION**

FIG. 1 is a perspective view of a spout of the new design; FIG. 2 is a front elevational view of the spout of FIG. 1; FIG. 3 is a rear elevational view of the spout of FIG. 1; FIG. 4 is a left side elevational view of the spout of FIG. 1; FIG. 5 is a right side elevational view of the spout of FIG. 1; FIG. 6 is a top plan view of the spout of FIG. 1; and, FIG. 7 is a bottom plan view of the spout of FIG. 1. The portions of the figures shown in broken lines are not part of the claimed design but for illustration only.

**1 Claim, 4 Drawing Sheets**



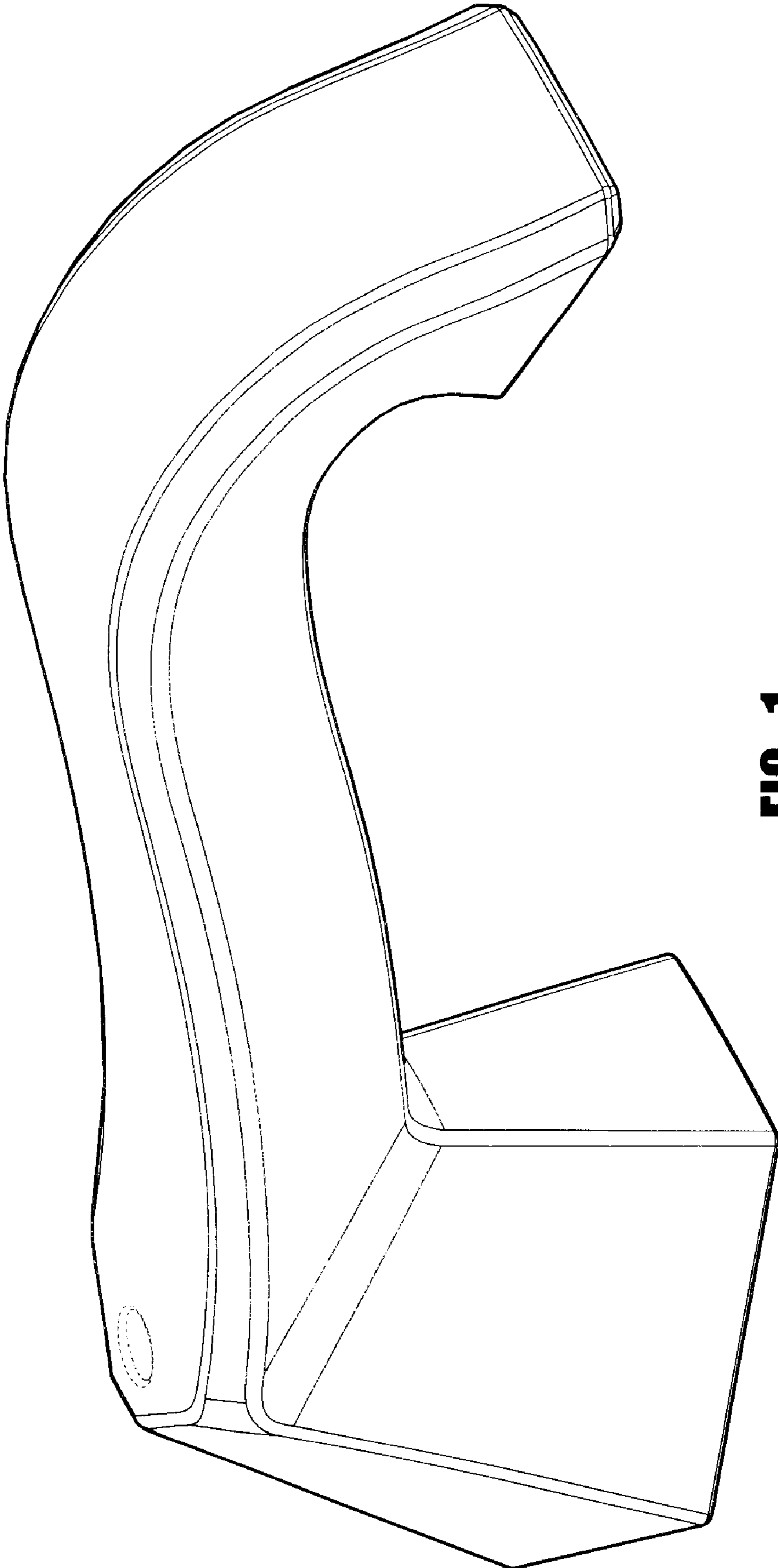
# US D524,922 S

Page 2

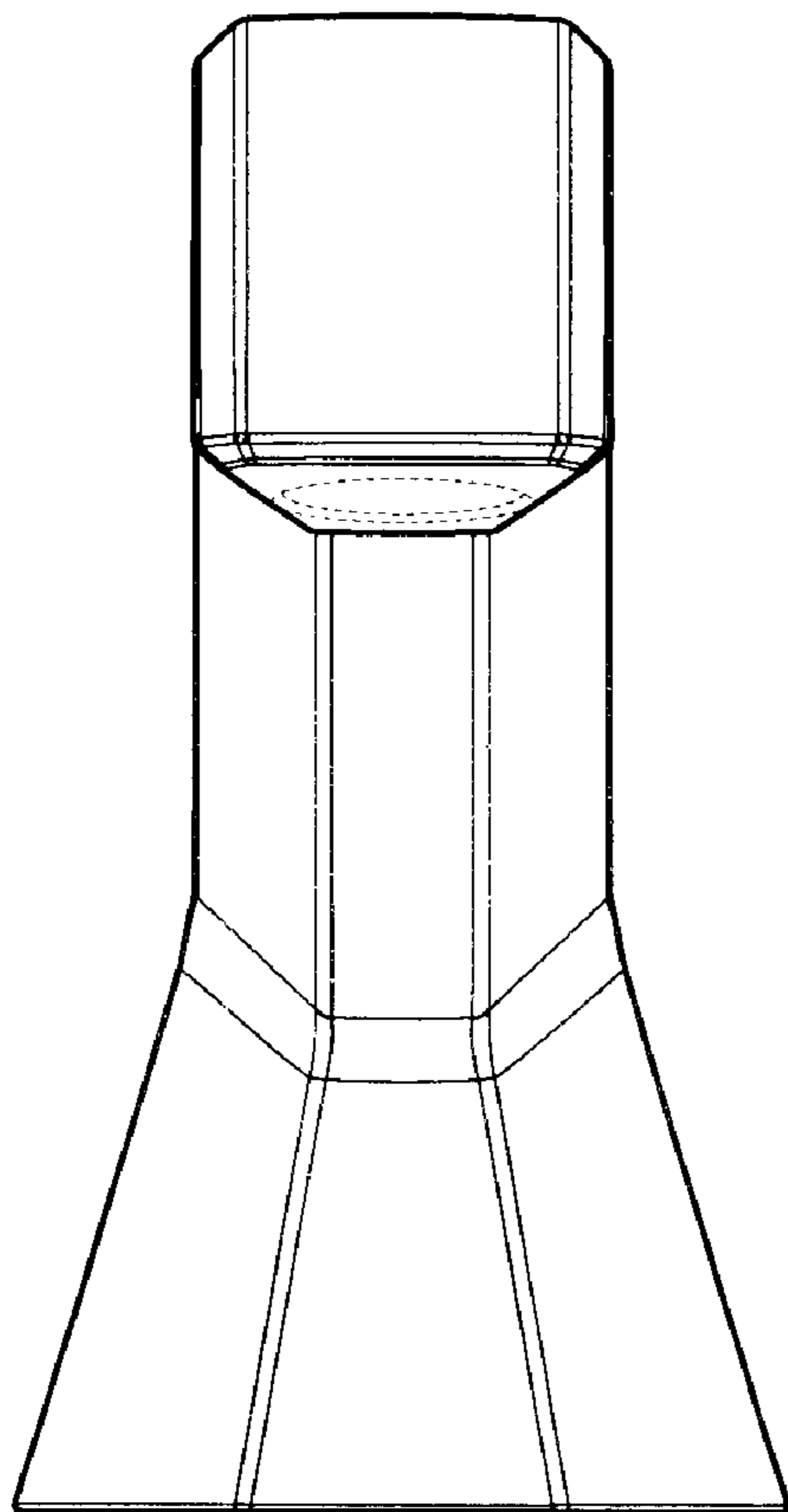
---

## U.S. PATENT DOCUMENTS

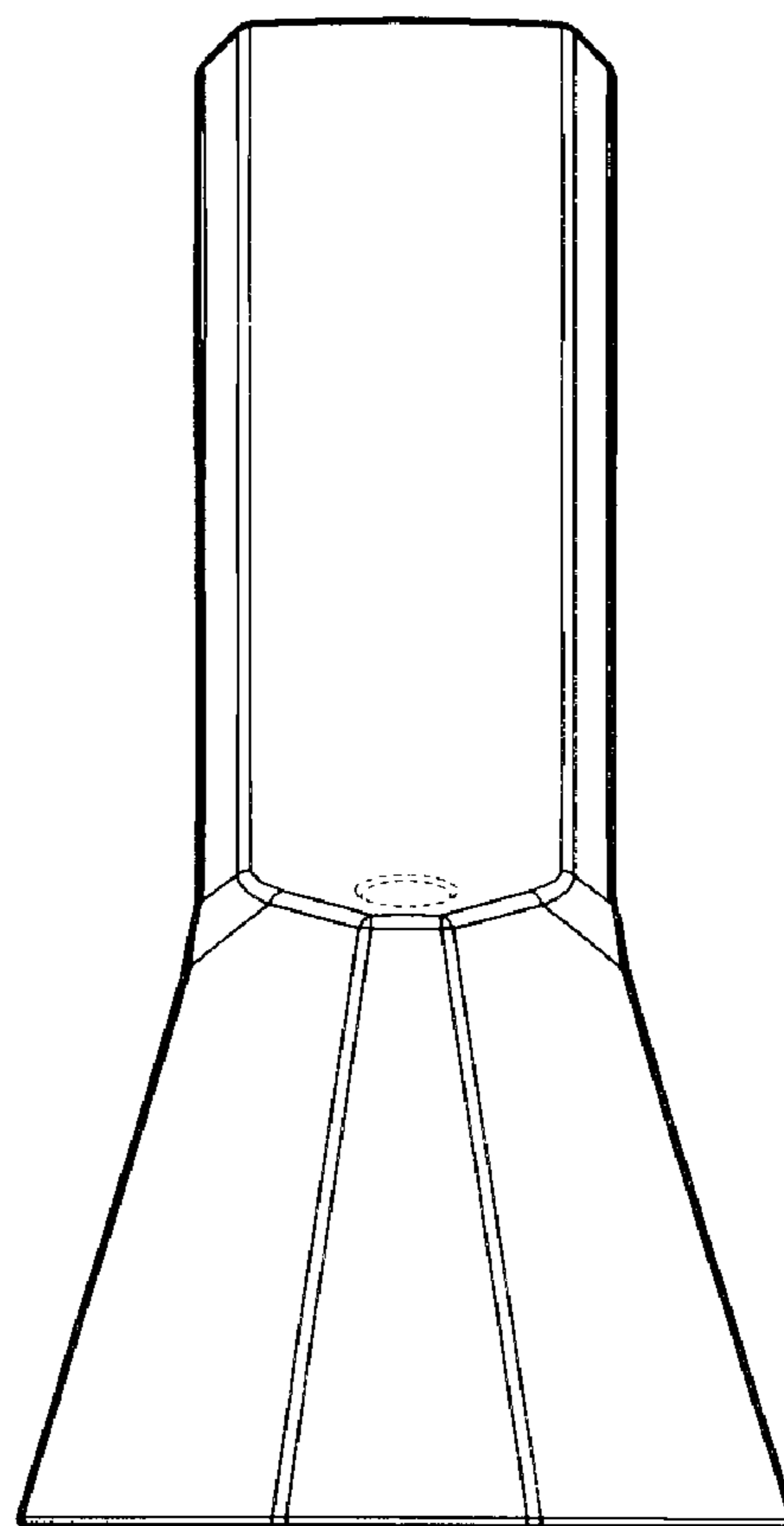
D461,000 S	7/2002	Mullenmeister	D467,317 S	12/2002	Otero et al.
D461,230 S	8/2002	Ko	D467,644 S	12/2002	Panis et al.
D461,231 S	8/2002	Mullenmeister	D467,998 S	12/2002	Panis et al.
D461,542 S	8/2002	Shieh	D468,810 S	1/2003	Smith
D462,418 S	9/2002	Smith	D469,162 S	1/2003	Panis et al.
D463,015 S	9/2002	Chang	D472,615 S	4/2003	Smith
D463,533 S	9/2002	Ko	D475,764 S	6/2003	Singtoroj
D463,535 S	9/2002	Singtoroj	D477,862 S	7/2003	Singtoroj
D467,316 S	12/2002	Otero et al.	D486,563 S	2/2004	Hsieh



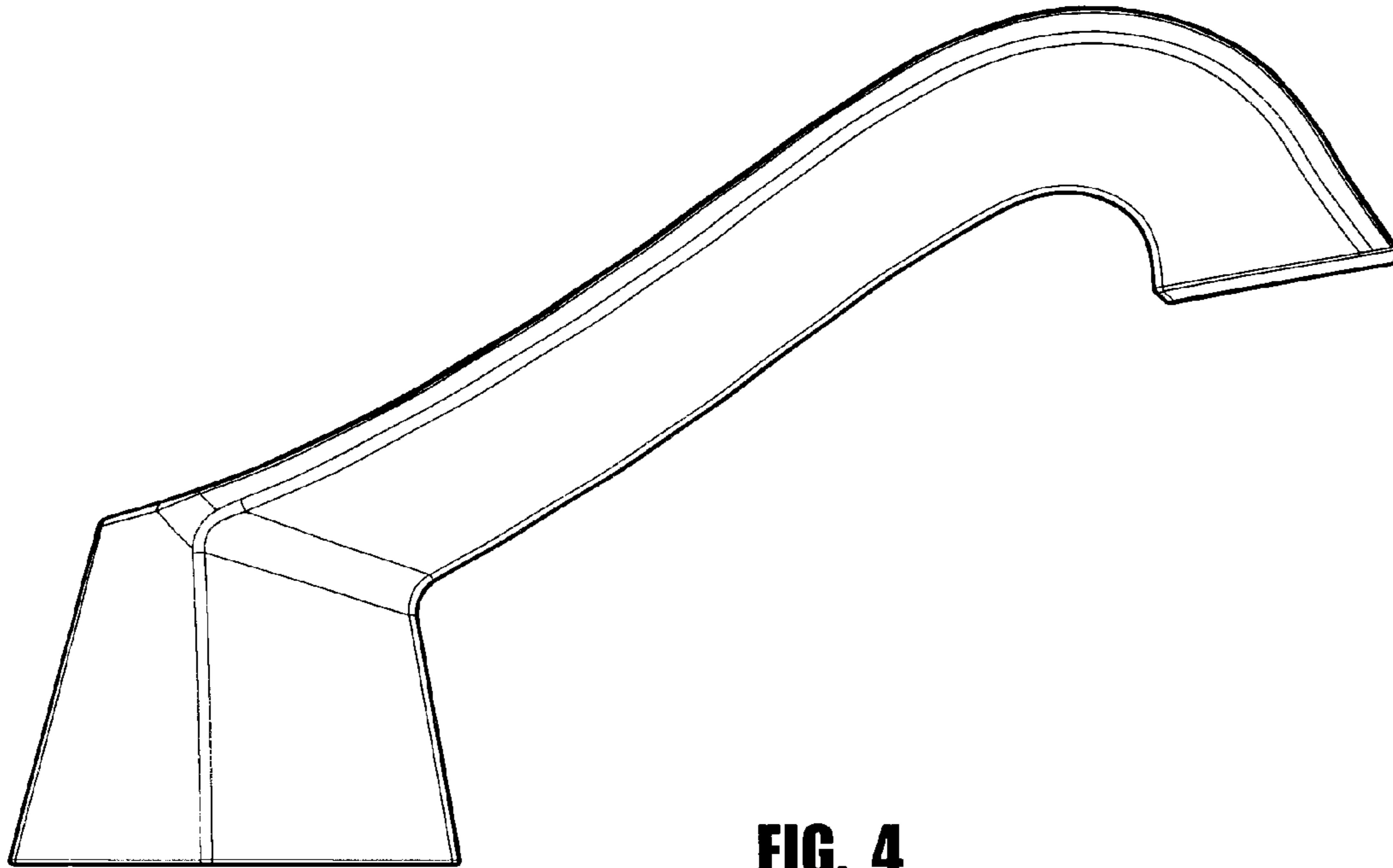
**FIG. 1**



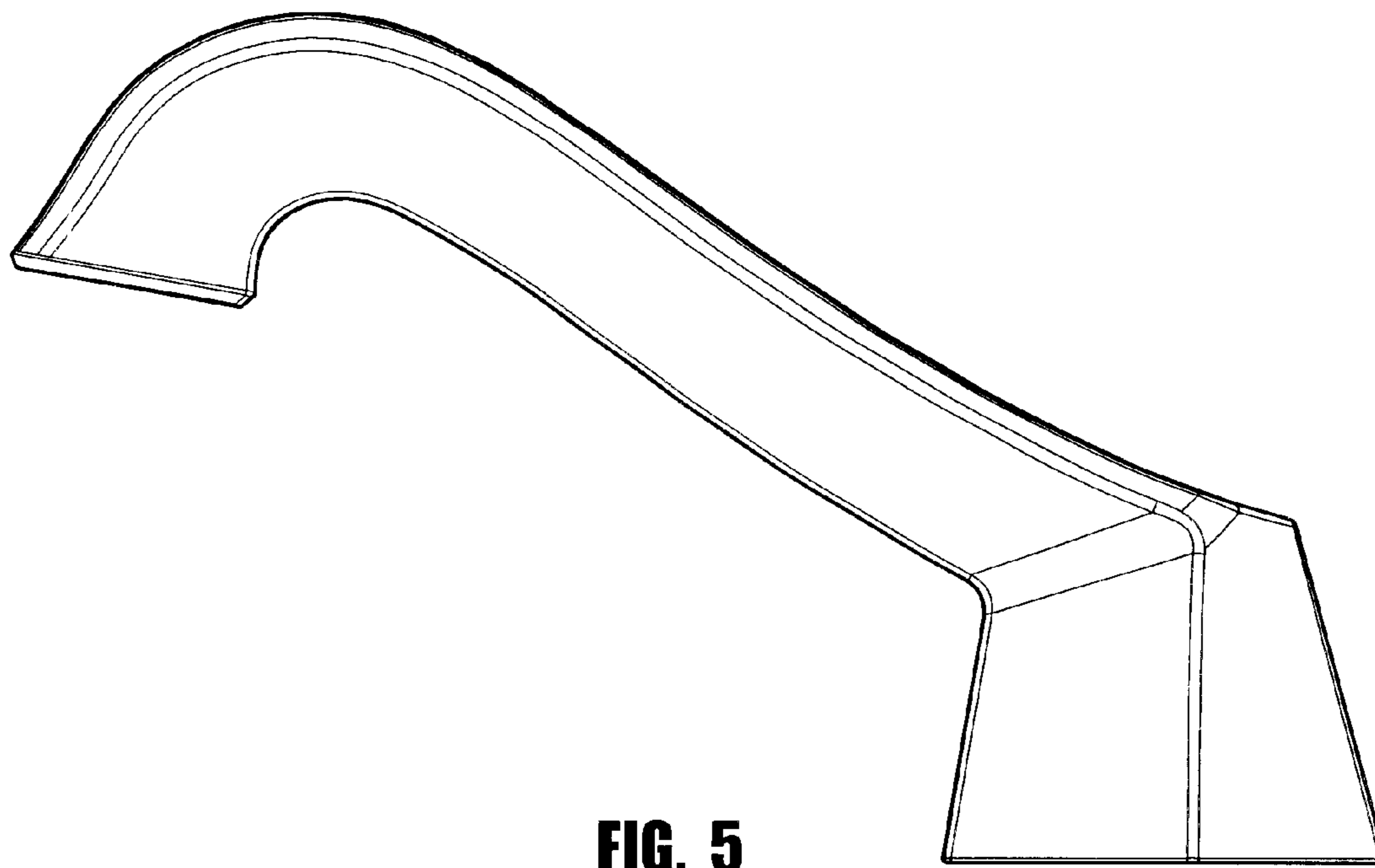
**FIG. 2**



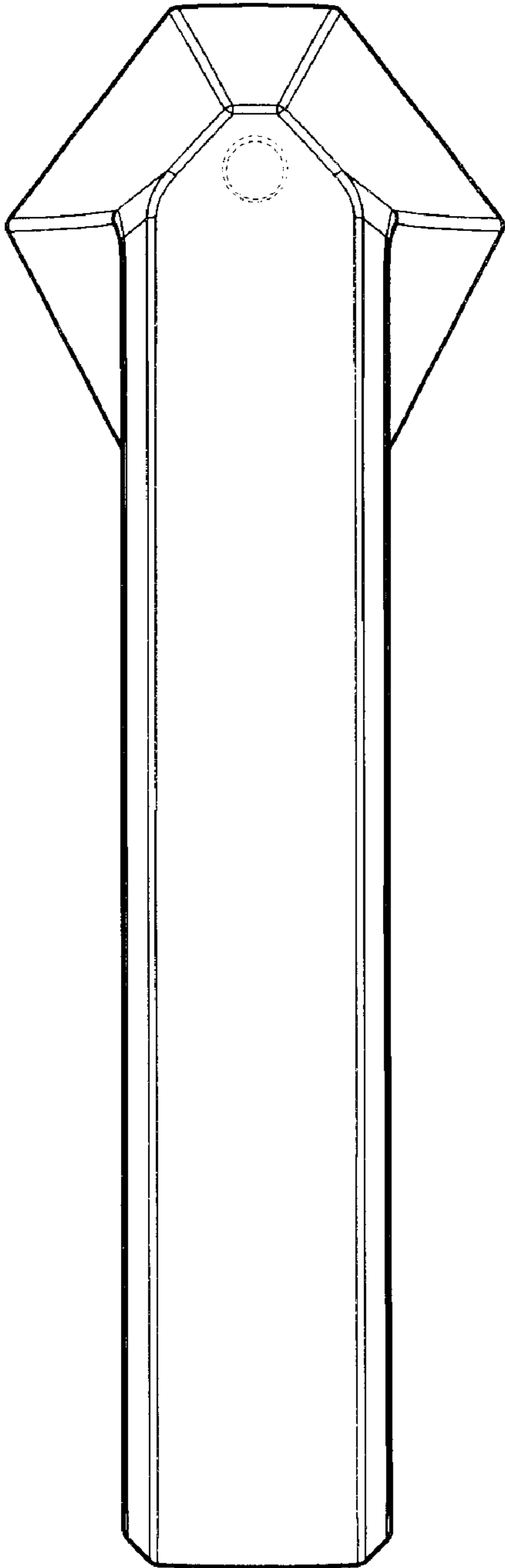
**FIG. 3**



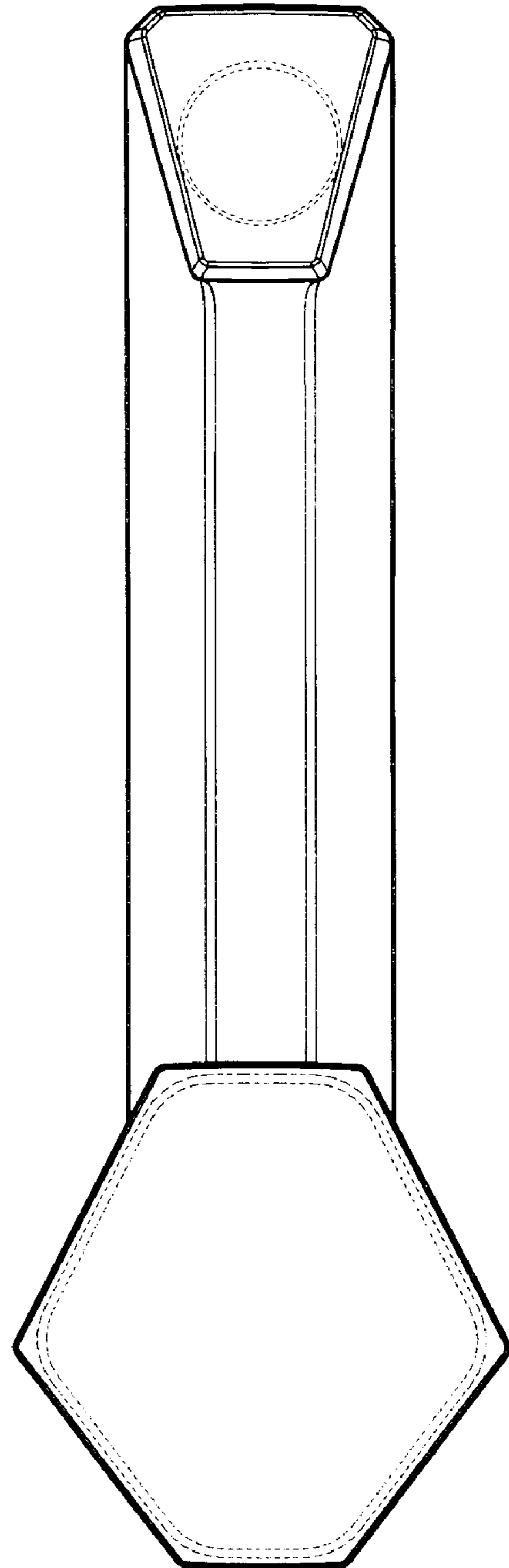
**FIG. 4**



**FIG. 5**



**FIG. 6**



**FIG. 7**



UNITED STATES PATENT AND TRADEMARK OFFICE  
**CERTIFICATE OF CORRECTION**

PATENT NO. : Des. 524,922 S  
APPLICATION NO. : 29/221205  
DATED : July 11, 2006  
INVENTOR(S) : Christopher Jon Gilbert

Page 1 of 1

It is certified that error appears in the above-identified patent and that said Letters Patent is hereby corrected as shown below:

Title page, item [73] Assignee: change the word "Meon" to read --Moen--.

Signed and Sealed this

Second Day of January, 2007

A handwritten signature in black ink on a light gray dotted background. The signature reads "Jon W. Dudas" in a cursive style.

JON W. DUDAS

*Director of the United States Patent and Trademark Office*