



US00D524918S

(12) **United States Design Patent** (10) **Patent No.:** **US D524,918 S**
Barry (45) **Date of Patent:** **** Jul. 11, 2006**

(54) **ESCUTCHEON**

(75) Inventor: **Barbara Barry**, Los Angeles, CA (US)

(73) Assignee: **Kohler Co.**, Kohler, WI (US)

(**) Term: **14 Years**

(21) Appl. No.: **29/229,511**

(22) Filed: **May 9, 2005**

(51) **LOC (8) Cl.** **23-01**

(52) **U.S. Cl.** **D23/249; D23/254**

(58) **Field of Classification Search** **D23/238-257;**
D8/250-257, 300-322, DIG. 3; 16/110.1;
4/675-678; 137/801

See application file for complete search history.

(56) **References Cited**

U.S. PATENT DOCUMENTS

638,611	A	*	12/1899	Totham	4/675
D325,425	S	*	4/1992	Bengtson	D23/250
D407,143	S	*	3/1999	Hyde et al.	D23/252
D418,205	S	*	12/1999	Hyde et al.	D23/250
D444,854	S	*	7/2001	Lord	D23/252
6,345,643	B1	*	2/2002	Ko	4/678
D458,346	S	*	6/2002	Mullenmeister	D23/252
D513,062	S	*	12/2005	Panis	D23/249

OTHER PUBLICATIONS

Kohler catalog, p.24, showing escutcheon for a handle.

Website page, For Kitchen, Low arcing smooth spout bath faucet, May 9, 2005. (www.forkitchenandbath.com).

* cited by examiner

Primary Examiner—Louis S. Zarfes

Assistant Examiner—Gregory Andoll

(74) *Attorney, Agent, or Firm*—Quarles & Brady LLP

(57) **CLAIM**

The ornamental design for an escutcheon, as shown and described.

DESCRIPTION

In a preferred embodiment, the nature of this product is an escutcheon for a plumbing fixture such as a faucet handle. FIG. 1 is a right, top, front perspective view of an escutcheon according to my new design;

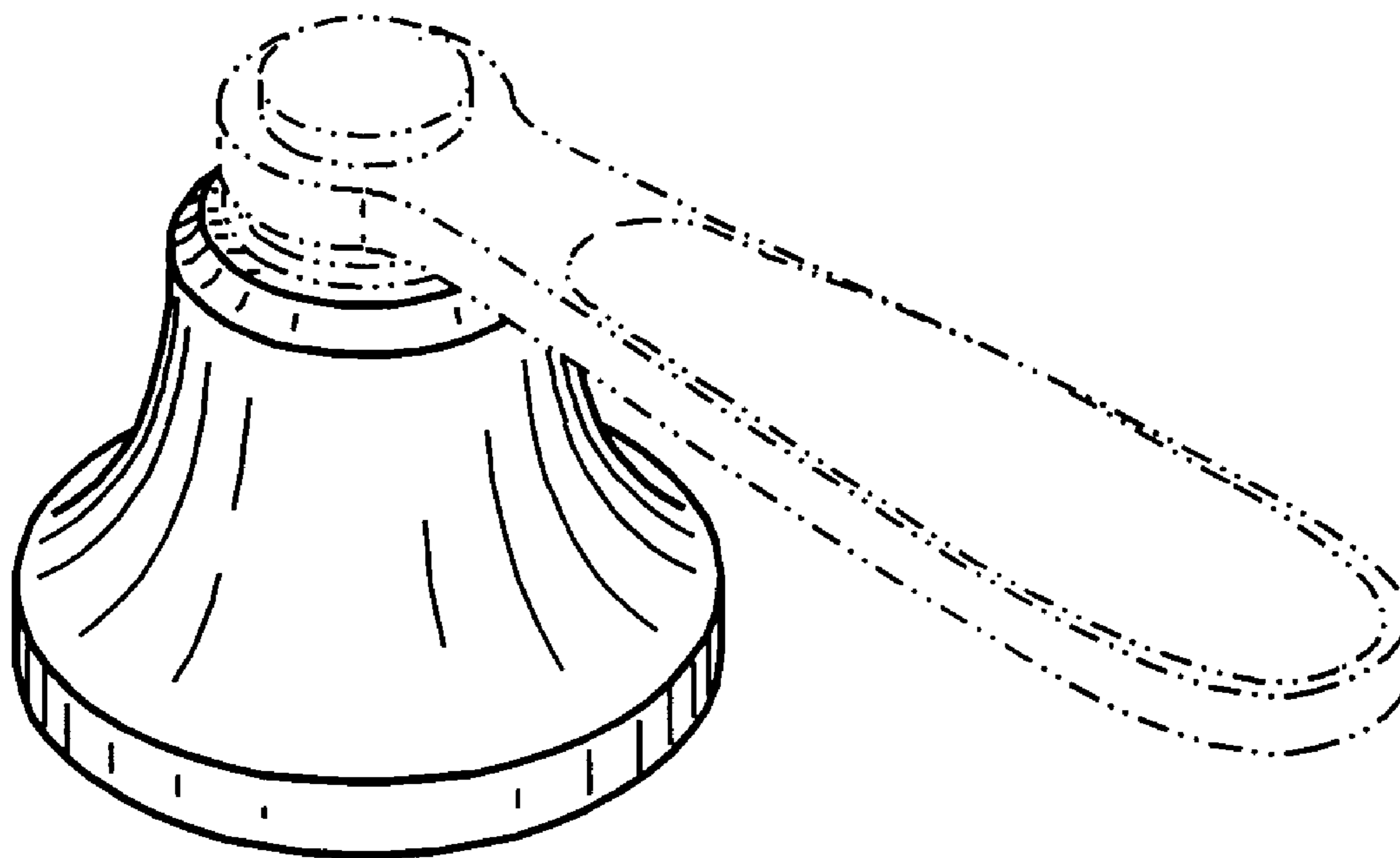
FIG. 2 is a front elevational view thereof, the left side, right side and rear elevational views thereof being mirror images of the front view shown;

FIG. 3 is a top plan view thereof; and,

FIG. 4 is a bottom plan view thereof.

The broken line representations of handle environment in FIG. 1 and of mounting structure in FIGS. 3 and 4 are for the purpose of illustration only, and form no part of the claimed design.

1 Claim, 1 Drawing Sheet



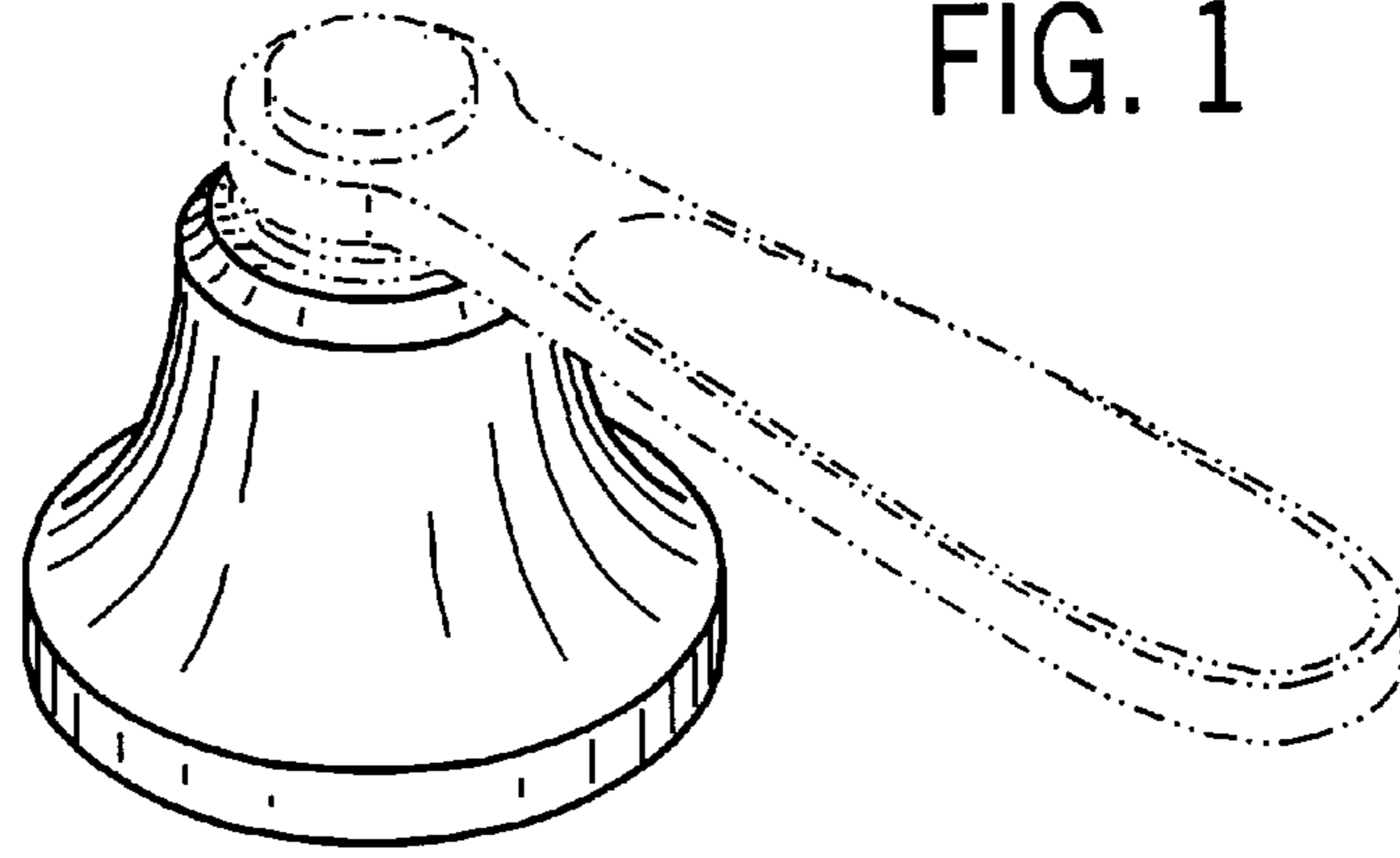


FIG. 1

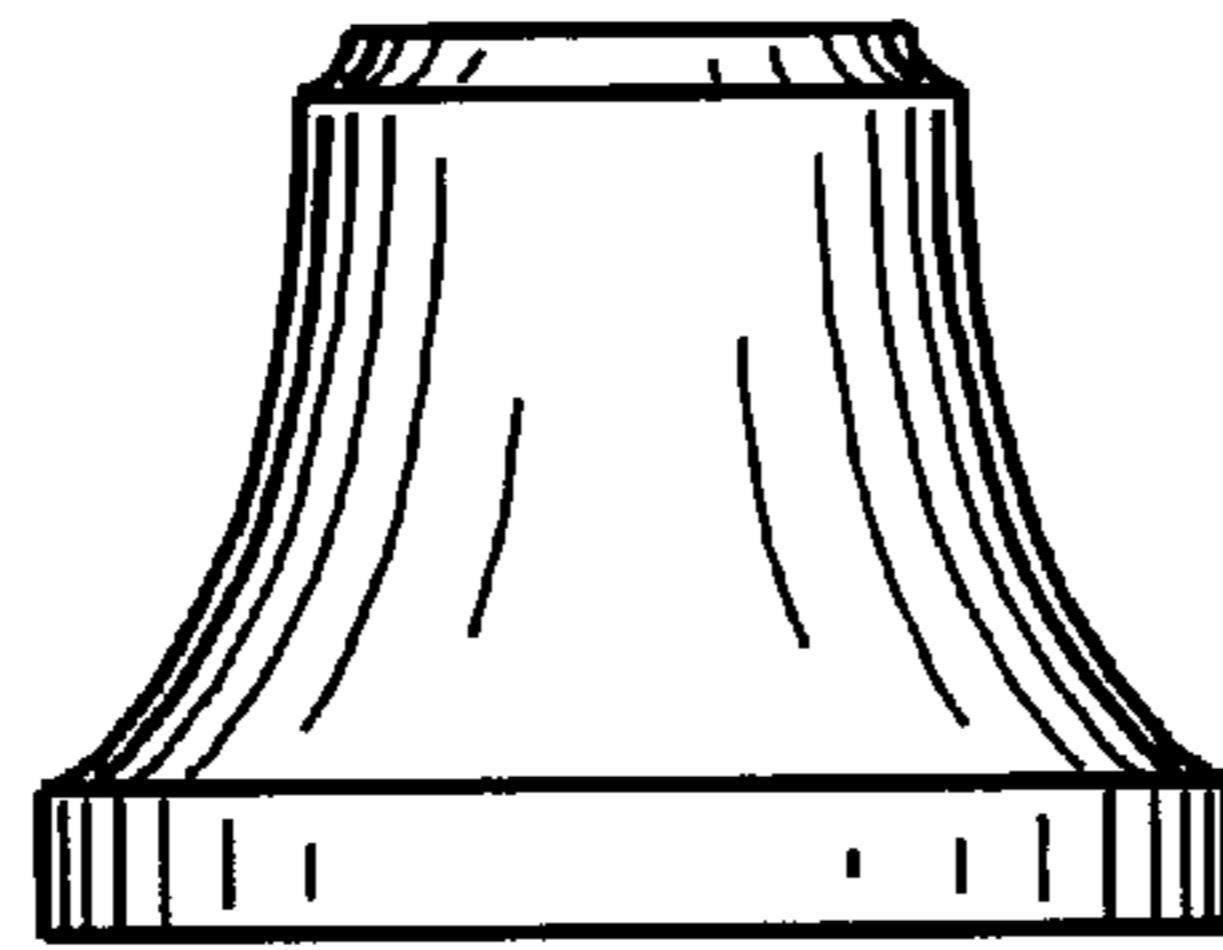


FIG. 2

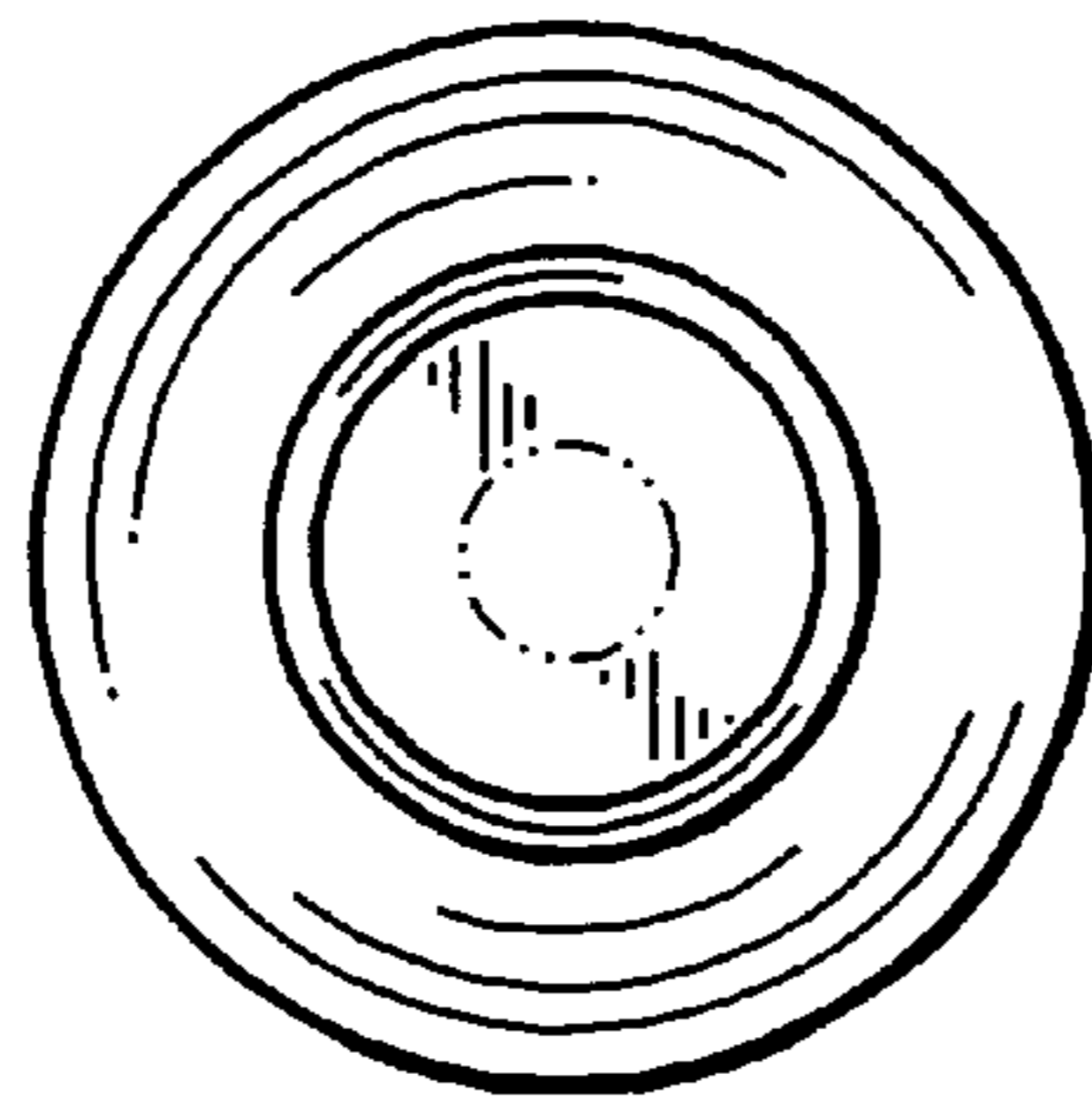


FIG. 3

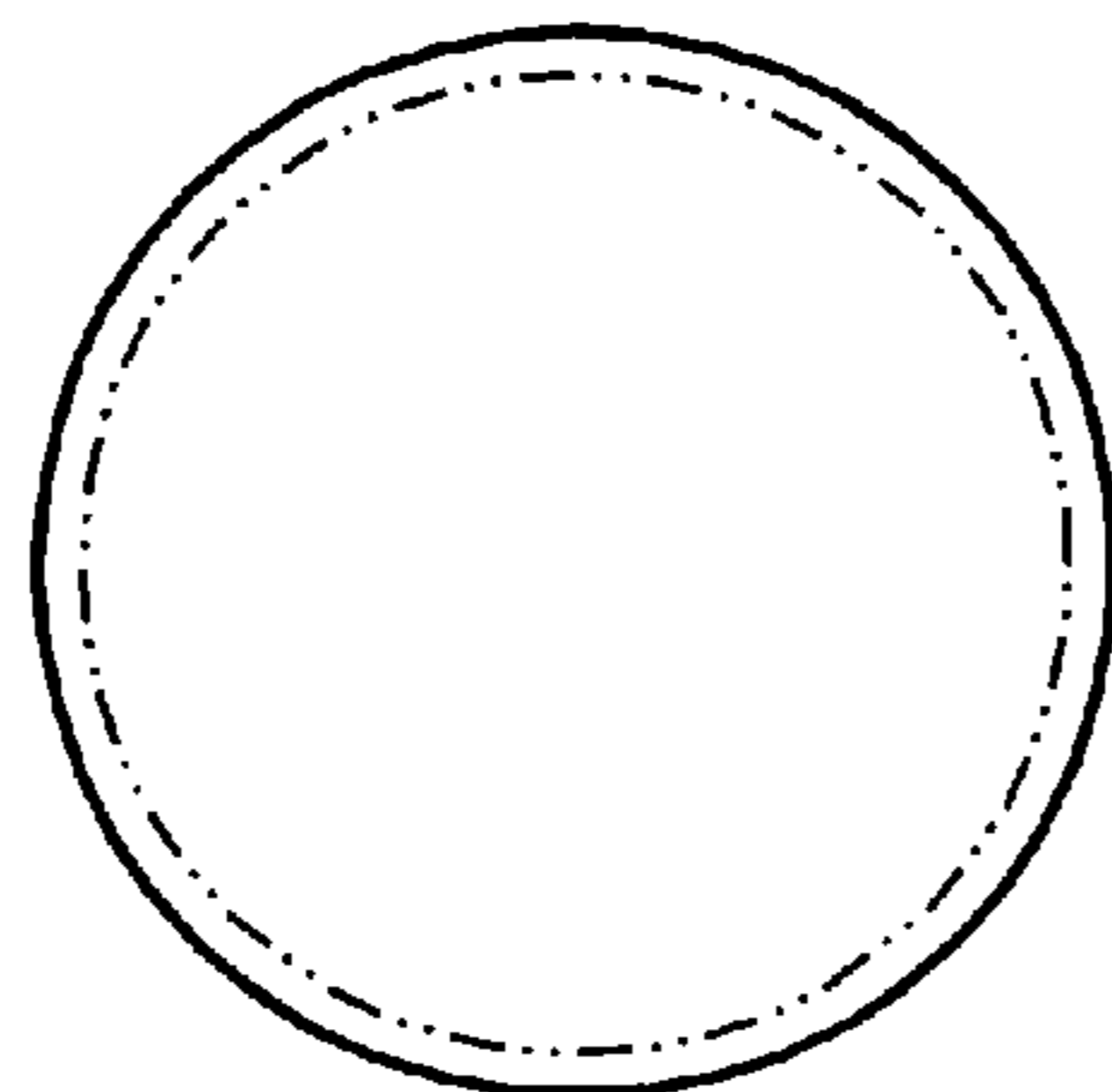


FIG. 4