

US00D524917S

(12) **United States Design Patent**  
**Gilbert**

(10) **Patent No.:** **US D524,917 S**

(45) **Date of Patent:** **\*\* Jul. 11, 2006**

(54) **SPOUT BRIDGE**

(75) Inventor: **Christopher Jon Gilbert**, Moreland Hills, OH (US)

(73) Assignee: **Moen Incorporated**, North Olmsted, OH (US)

(\*\*) Term: **14 Years**

(21) Appl. No.: **29/224,654**

(22) Filed: **Mar. 4, 2005**

(51) **LOC (8) Cl.** ..... **23-01**

(52) **U.S. Cl.** ..... **D23/249**

(58) **Field of Classification Search** ..... D23/262,  
D23/263, 266, 268, 238-257; 4/675-678;  
137/801

See application file for complete search history.

(56) **References Cited**

**U.S. PATENT DOCUMENTS**

D25,458 S	5/1896	Mackin	
D29,705 S	* 11/1898	Buick	D23/240
D31,599 S	* 10/1899	Hills	D23/241
D31,824 S	11/1899	Jones	
D32,108 S	* 1/1900	Moran	D23/268
753,974 A	3/1904	Glauber	
D39,756 S	1/1909	Mueller	
923,447 A	6/1909	Schmidt	
962,083 A	6/1910	Graham	
D50,151 S	* 1/1917	Mortimer	D23/241
D56,935 S	1/1921	Mueller	
D57,193 S	3/1921	Mueller	
D62,740 S	7/1923	Muend	
D62,864 S	8/1923	Benjamin	
D65,364 S	8/1924	Bickley	
D67,520 S	6/1925	Harper	
1,551,498 A	8/1925	Hitchcock	
D68,867 S	11/1925	MacKay	
1,563,344 A	12/1925	Corbett	
D72,505 S	4/1927	Van Eweyk	
1,625,404 A	4/1927	Wagenseller	
1,669,978 A	5/1928	Gavaza	
1,676,800 A	7/1928	Richards et al.	

1,680,119 A	8/1928	Schulder	
D76,790 S	11/1928	Fraser	
D76,925 S	11/1928	Frankenberger	
D76,995 S	11/1928	Fraser	
D77,022 S	11/1928	Mueller	
D77,024 S	11/1928	Mueller	
D80,439 S	2/1930	Fraser	
1,773,643 A	* 8/1930	Romanchak	137/603
D82,360 S	10/1930	Albert	
D94,760 S	3/1935	Hitchcock	
D111,011 S	8/1938	Bloch	
D117,697 S	11/1939	Mortimer	
D141,718 S	6/1945	Blank	
D149,386 S	4/1948	Smolensky	
D153,907 S	* 5/1949	Smolensky	D23/240
D235,098 S	5/1975	Doman	
D235,106 S	5/1975	Doman	

(Continued)

*Primary Examiner*—Louis S. Zarfaz

*Assistant Examiner*—Gregory Andoll

(74) *Attorney, Agent, or Firm*—Calfee, Halter & Griswold LLP

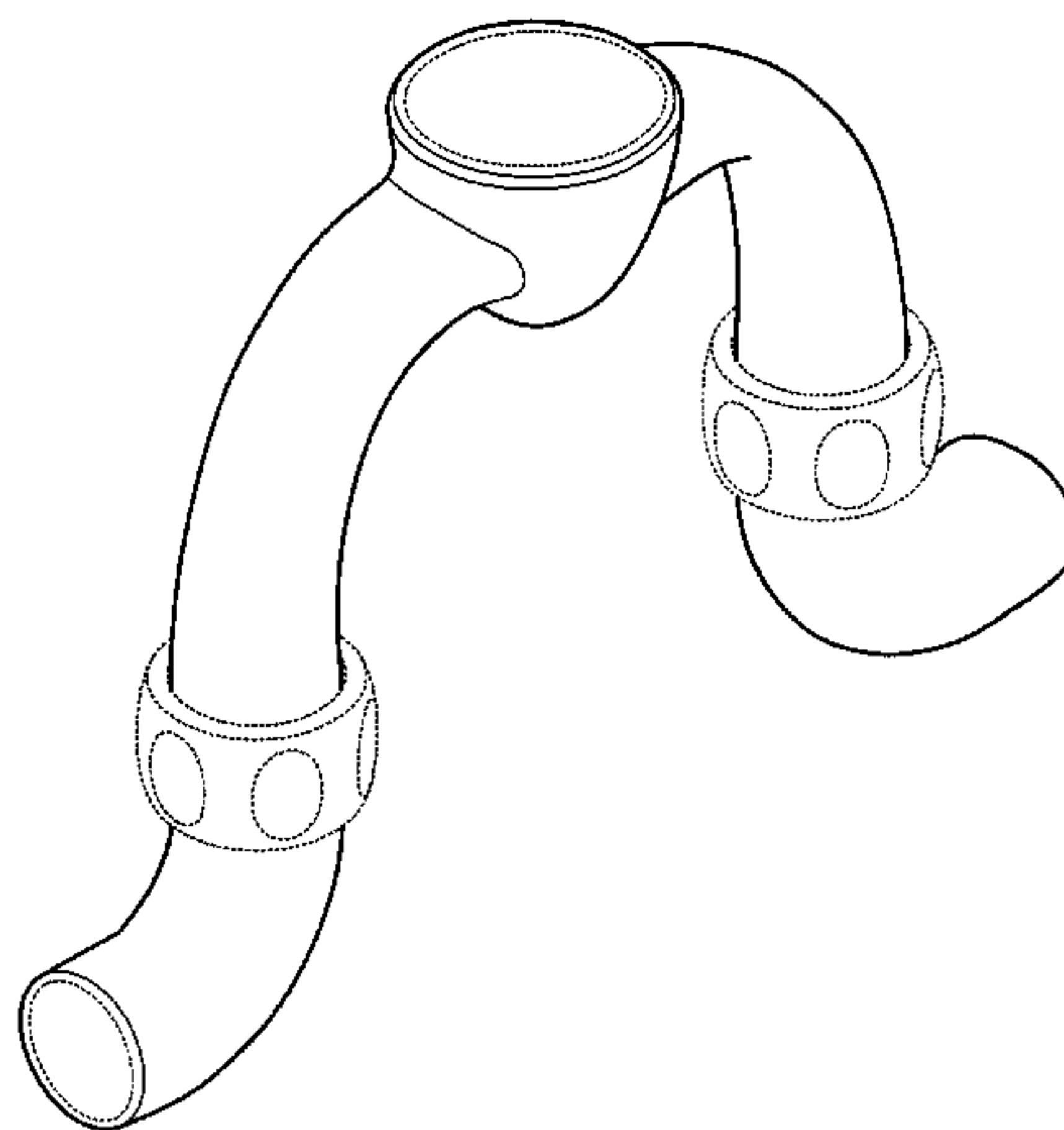
(57) **CLAIM**

The ornamental design for a spout bridge, as shown and described.

**DESCRIPTION**

FIG. 1 is a perspective view of a spout bridge of the new design;  
 FIG. 2 is a front elevational view of the spout bridge of FIG. 1;  
 FIG. 3 is a rear elevational view of the spout bridge of FIG. 1;  
 FIG. 4 is a left side elevational view of the spout bridge of FIG. 1;  
 FIG. 5 is a right side elevational view of the spout bridge of FIG. 1;  
 FIG. 6 is a top plan view of the spout bridge of FIG. 1; and,  
 FIG. 7 is a bottom plan view of the spout bridge of FIG. 1.  
 The portions of the Figures shown in broke lines are not part of the claimed design but are for illustration only.

**1 Claim, 5 Drawing Sheets**



# US D524,917 S

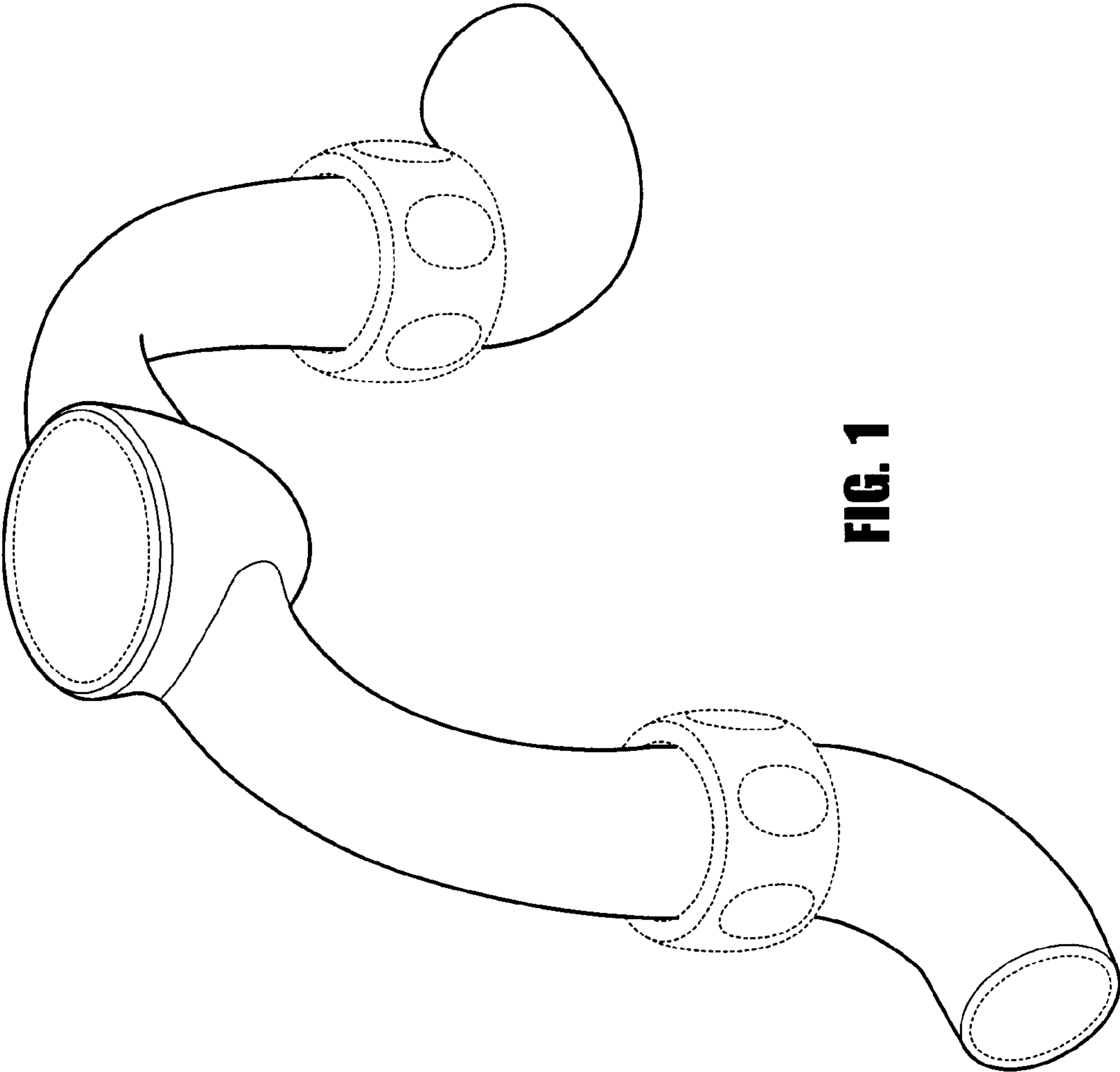
Page 2

---

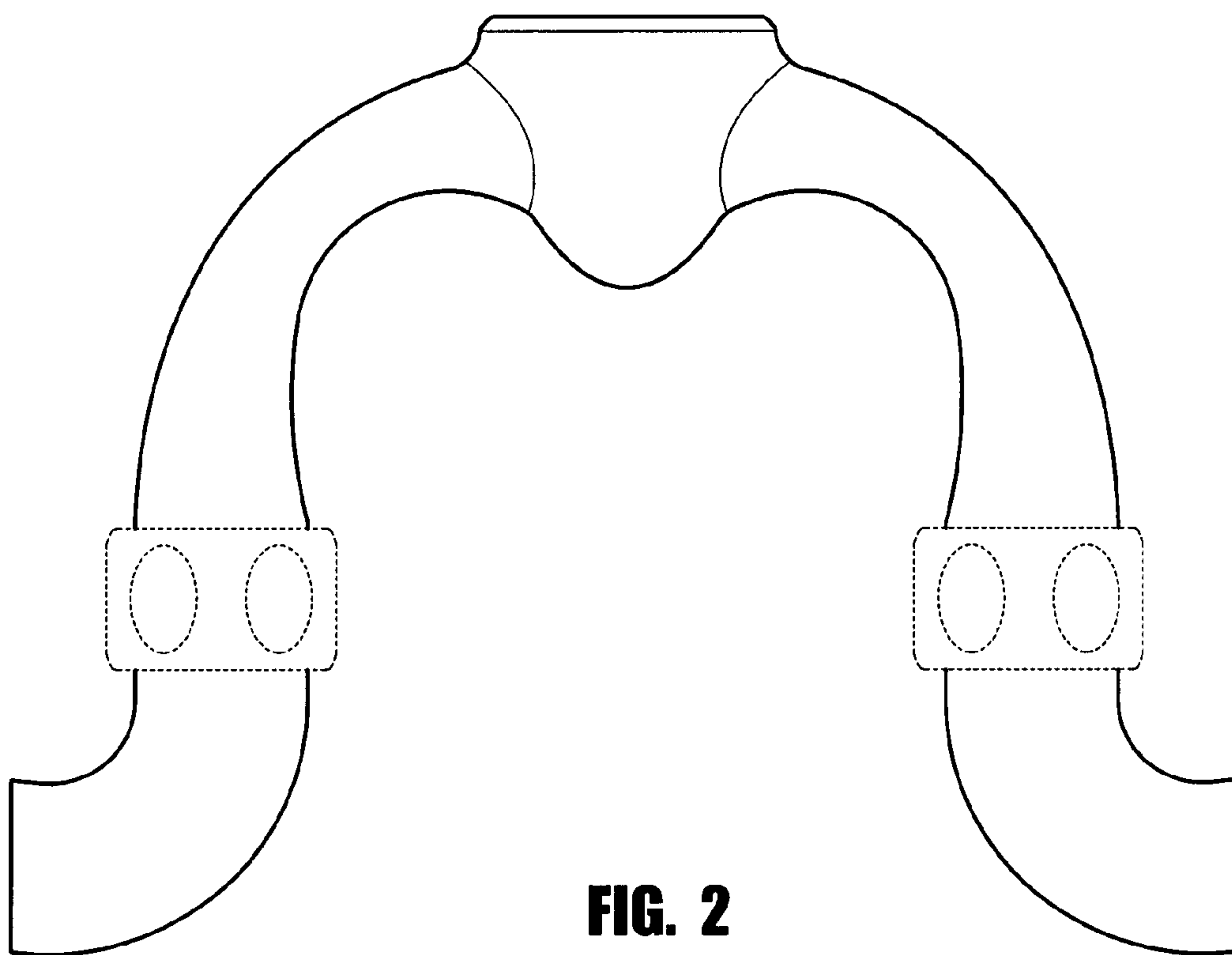
## U.S. PATENT DOCUMENTS

D249,276 S	*	9/1978	Levin .....	D23/263	D433,106 S		10/2000	Spangler	
D276,544 S		11/1984	Piesco		D438,290 S	*	2/2001	Spangler .....	D23/249
D291,114 S		7/1987	Piesco		D456,493 S	*	4/2002	Paterson et al. ....	D23/263
D295,780 S	*	5/1988	Thomas .....	D23/268	D458,344 S		6/2002	Mullenmeister	
D315,194 S		3/1991	Haug et al.		D460,806 S		7/2002	Singtoroj	
D317,816 S		6/1991	Robbins		D464,711 S		10/2002	Warsawsky	
D318,714 S		7/1991	Spangler		D465,268 S		11/2002	Mullenmeister	
D321,629 S		11/1991	Hollinger		D466,981 S		12/2002	Cosolito et al.	
D321,630 S		11/1991	Hollinger		D470,918 S		2/2003	Friedrich	
D324,726 S		3/1992	Bonnell		D472,608 S		4/2003	Shieh	
D327,531 S		6/1992	Ko		D476,063 S	*	6/2003	Haug et al. ....	D23/238
D342,119 S		12/1993	Shieh		D478,152 S		8/2003	Friedrich	
D380,809 S		7/1997	Warsawsky		D487,585 S		3/2004	Shieh	
D405,508 S		2/1999	Doughty et al.		D490,142 S		5/2004	Ouyoung	
D414,845 S		10/1999	Hyde		D492,391 S		6/2004	Herbeau	

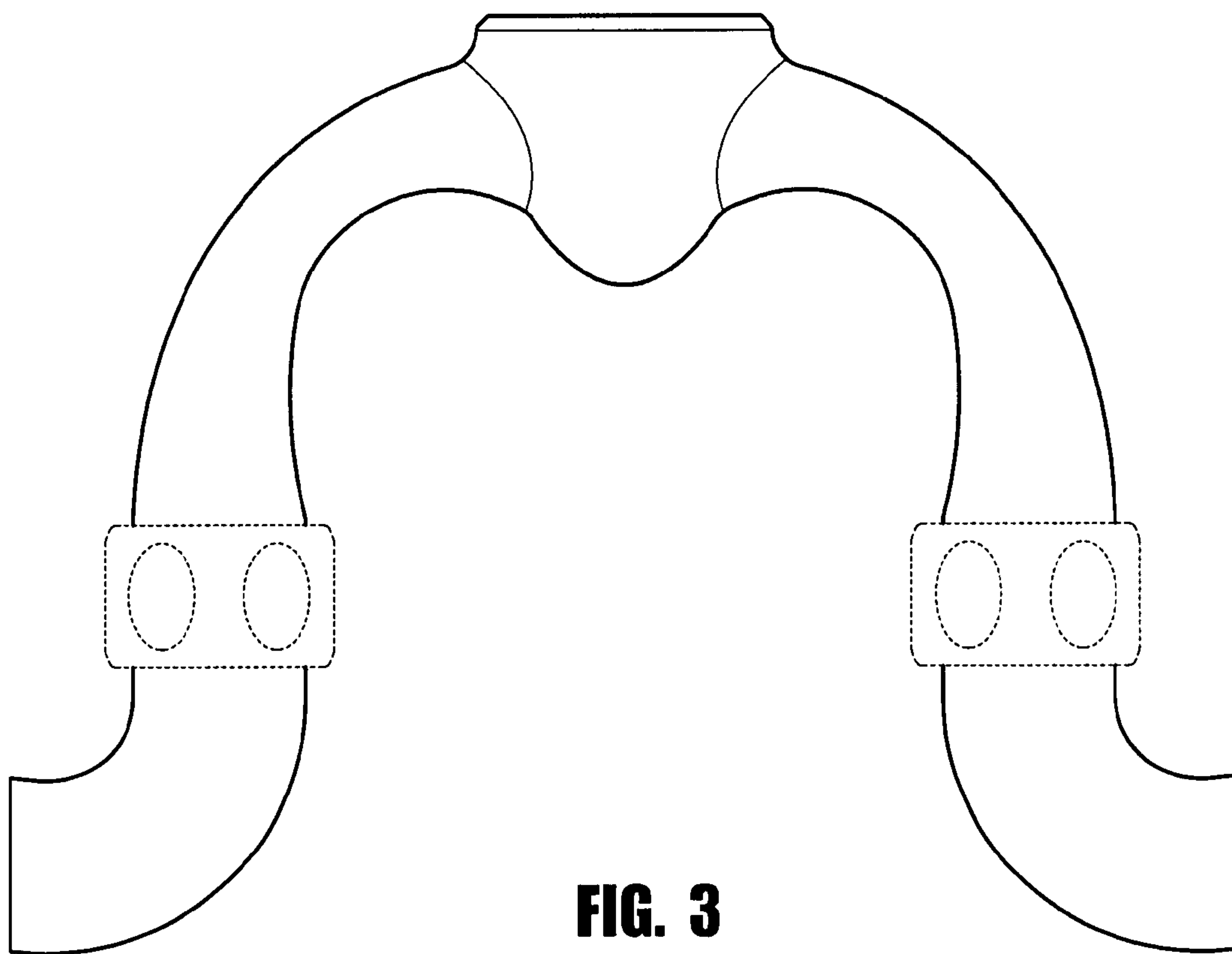
\* cited by examiner



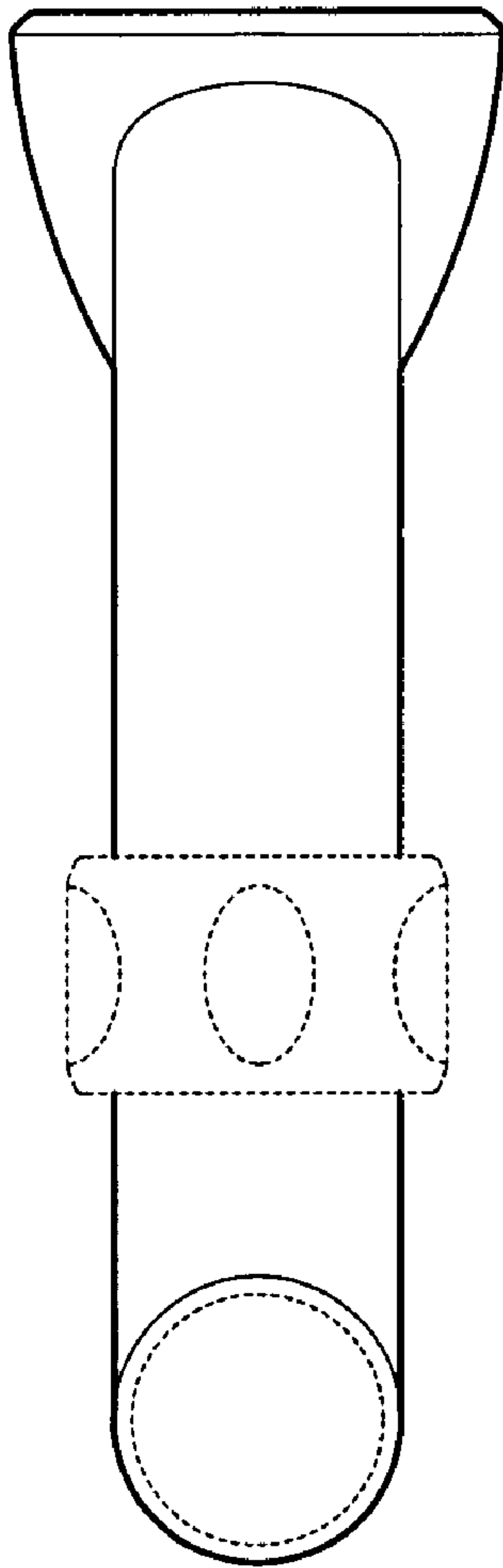
**FIG. 1**



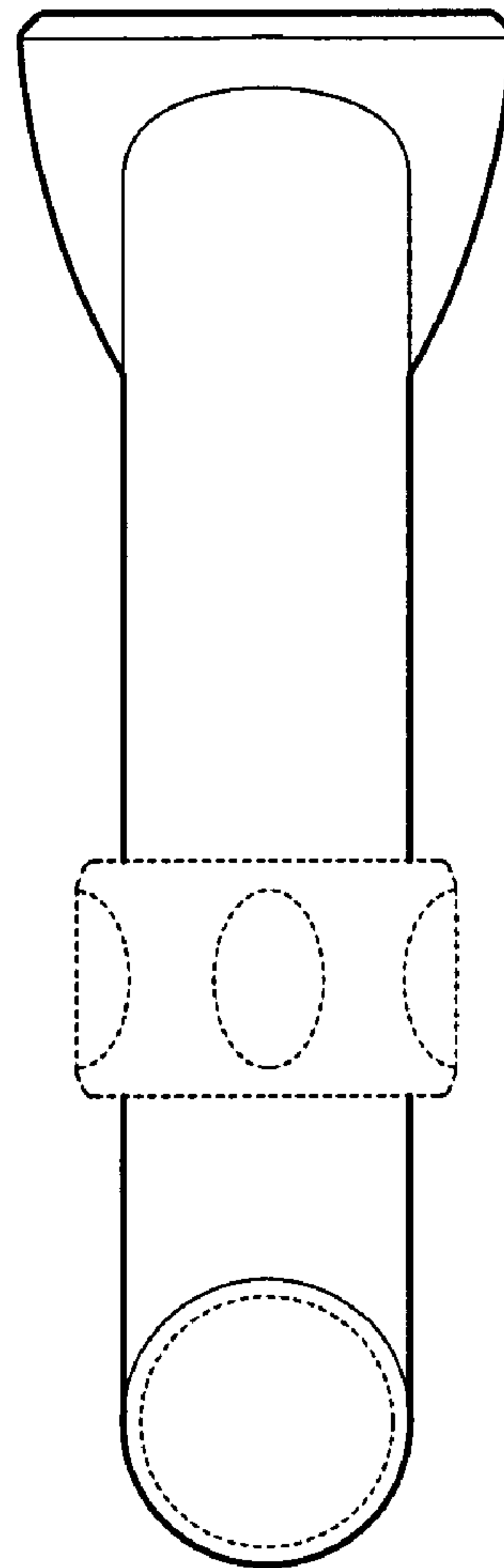
**FIG. 2**



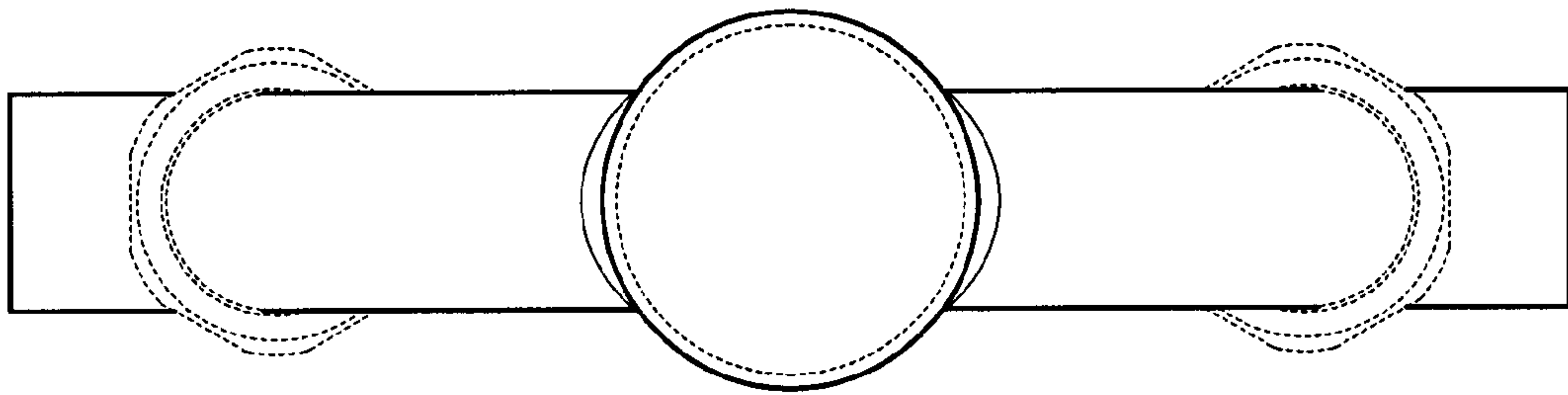
**FIG. 3**



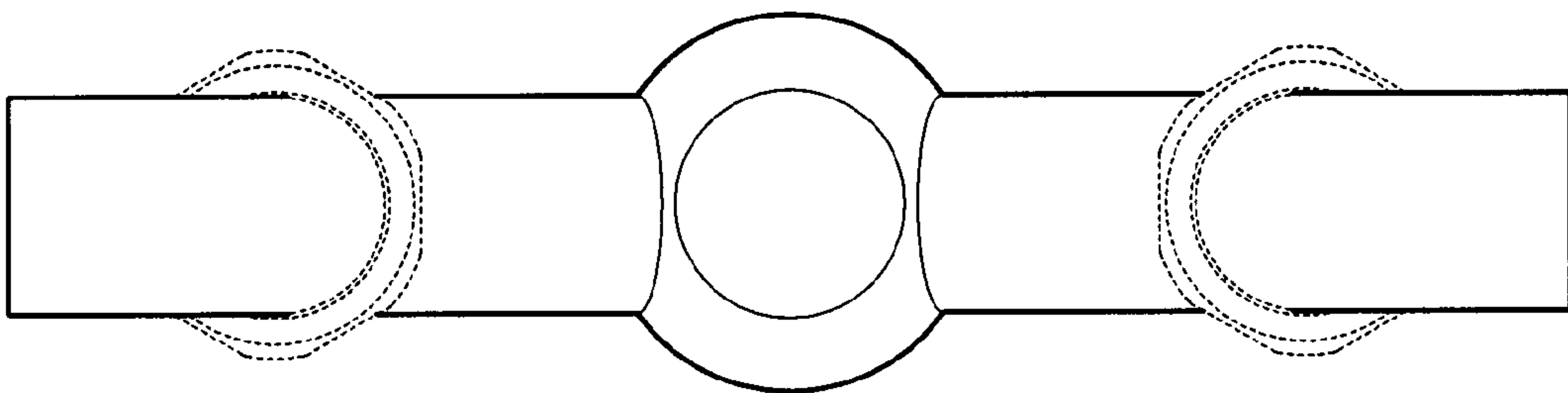
**FIG. 4**



**FIG. 5**



**FIG. 6**



**FIG. 7**