



US00D524916S

(12) **United States Design Patent**  
**Schaffeld et al.**

(10) **Patent No.:** **US D524,916 S**

(45) **Date of Patent:** **\*\* Jul. 11, 2006**

(54) **FAUCET ASSEMBLY BASE**

D472,608 S \* 4/2003 Shieh ..... D23/241  
D512,485 S \* 12/2005 Kulig ..... D23/241

(75) Inventors: **John Schaffeld**, Marshfield, MA (US);  
**Steffen Koury**, Charlestown, MA (US)

\* cited by examiner

(73) Assignee: **Masco Corporation of Indiana**,  
Indianapolis, IN (US)

*Primary Examiner*—Louis S. Zarfaz  
*Assistant Examiner*—Gregory Andoll  
(74) *Attorney, Agent, or Firm*—Kwadjo Adusei-Poku;  
Lloyd D. Doigan

(\*\*) Term: **14 Years**

(21) Appl. No.: **29/220,067**

(57) **CLAIM**

(22) Filed: **Dec. 23, 2004**

The ornamental design for a faucet assembly base, as shown and described.

(51) **LOC (8) Cl.** ..... **23-01**

**DESCRIPTION**

(52) **U.S. Cl.** ..... **D23/249**; D23/241; D23/242

(58) **Field of Classification Search** ..... D23/238–257;  
4/675–678; 137/801

See application file for complete search history.

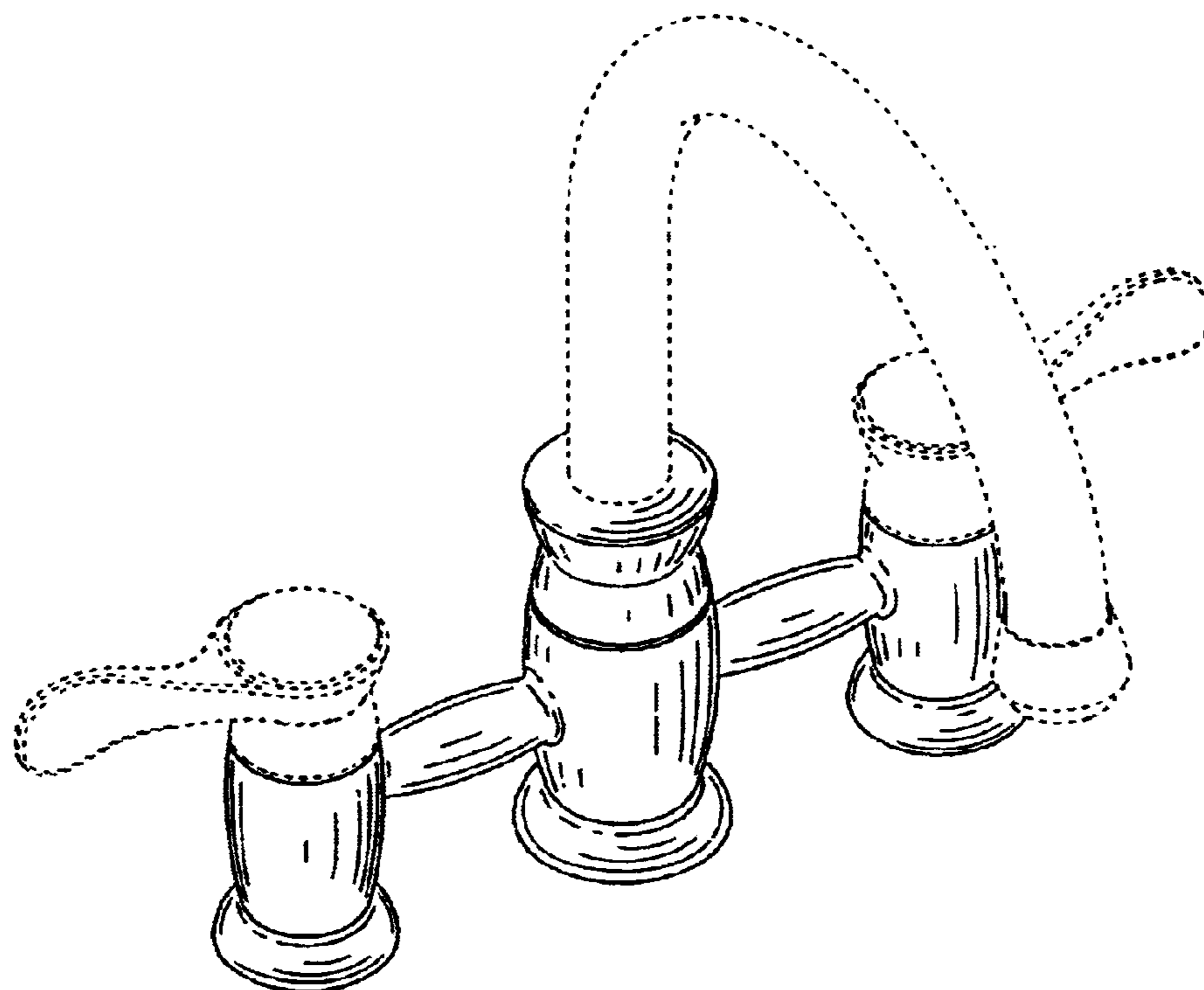
FIG. 1 is a front perspective view of a faucet assembly base showing my design;  
FIG. 2 is a front elevational view thereof;  
FIG. 3 is a rear elevational view thereof;  
FIG. 4 is a right side elevational view, the left side elevational view being a mirror image thereof;  
FIG. 5 is a top plan view thereof; and,  
FIG. 6 is a rear perspective view thereof.  
The broken lines in the Figures are for illustrative purposes only and form no part of the claimed design.

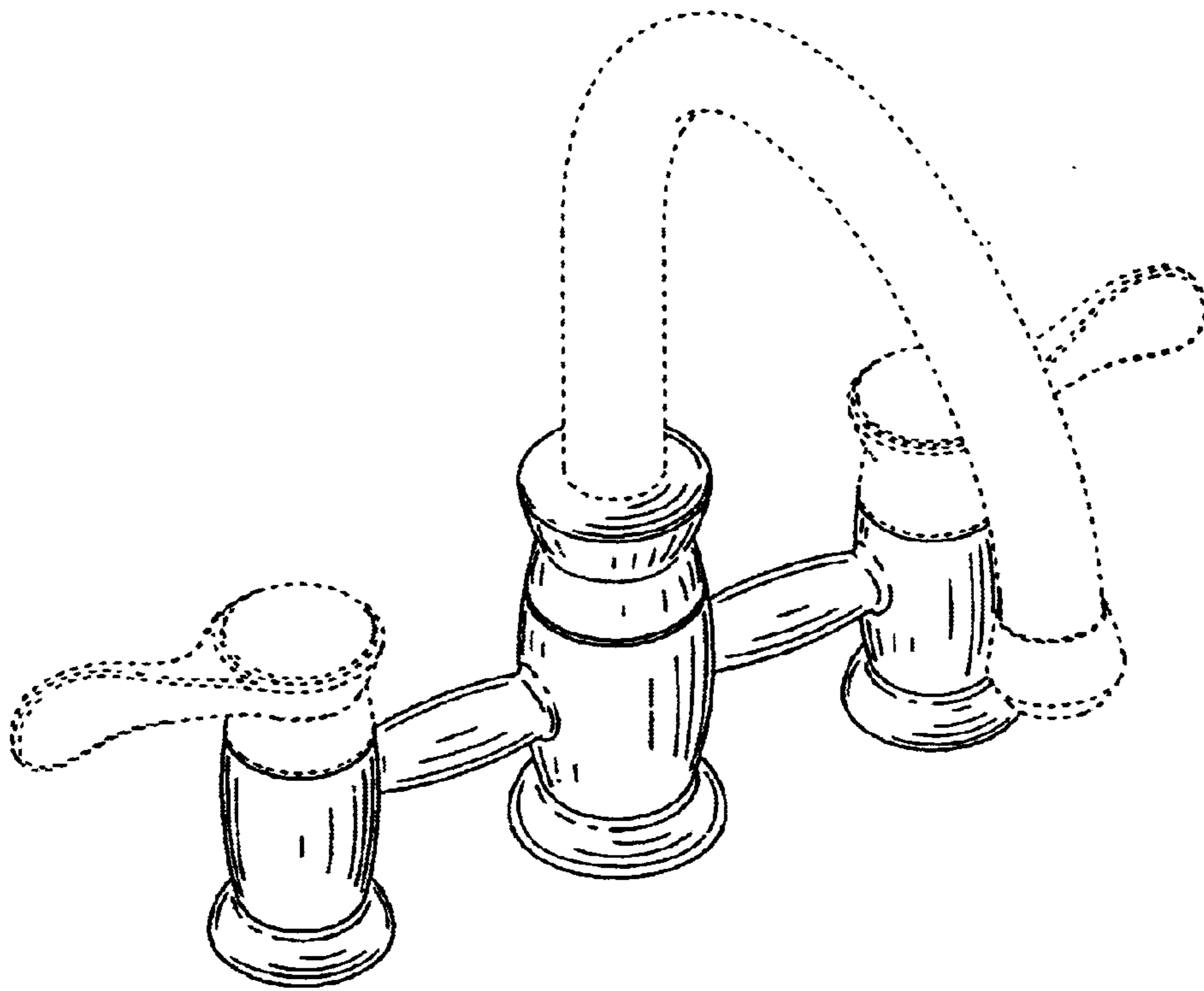
(56) **References Cited**

U.S. PATENT DOCUMENTS

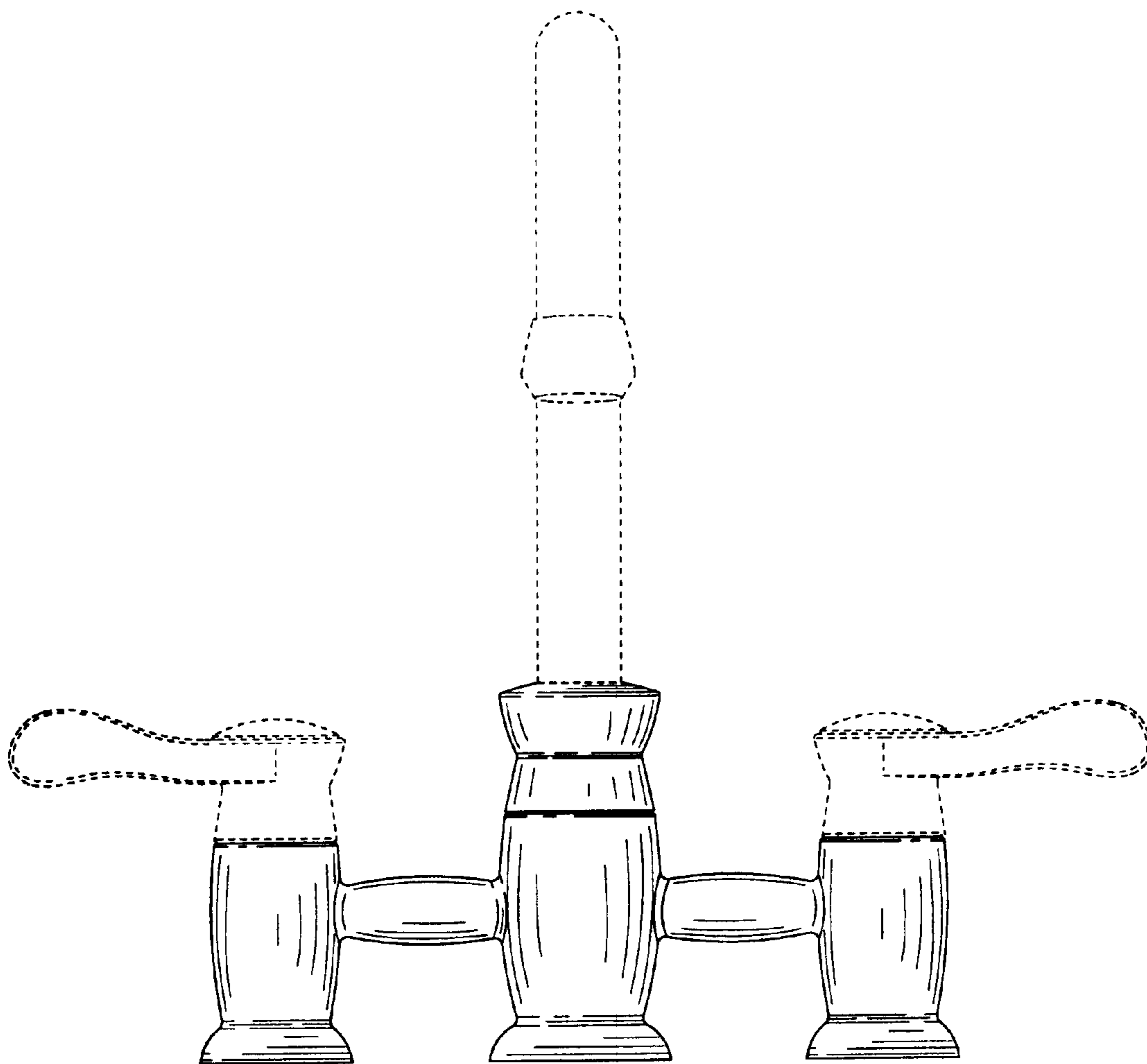
D76,790 S \* 11/1928 Fraser ..... D23/240  
D460,523 S \* 7/2002 Green et al. .... D23/241  
D463,013 S \* 9/2002 Green et al. .... D23/255  
D466,981 S \* 12/2002 Cosolito et al. .... D23/242  
D468,403 S \* 1/2003 Panis et al. .... D23/242

**1 Claim, 6 Drawing Sheets**

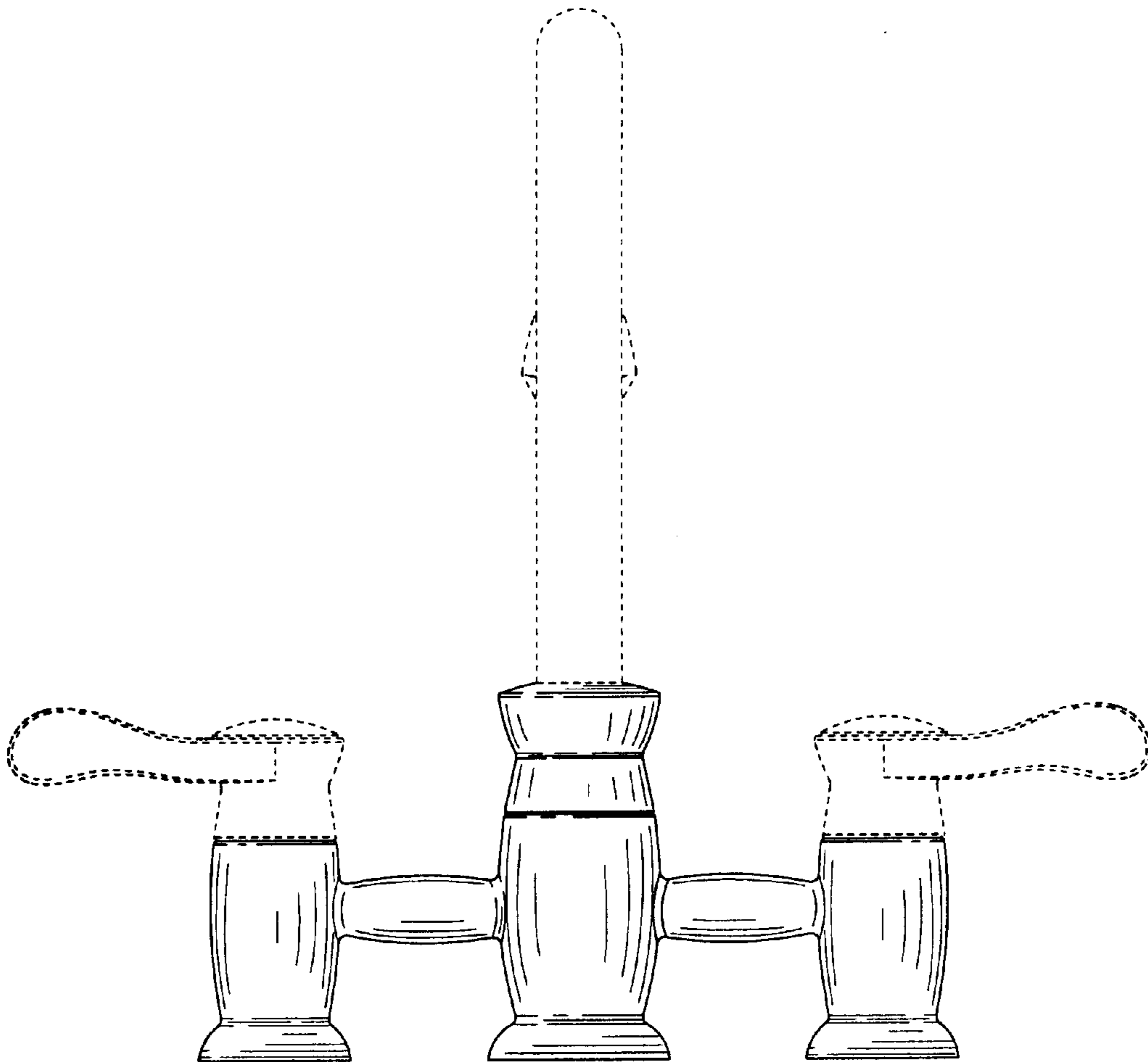




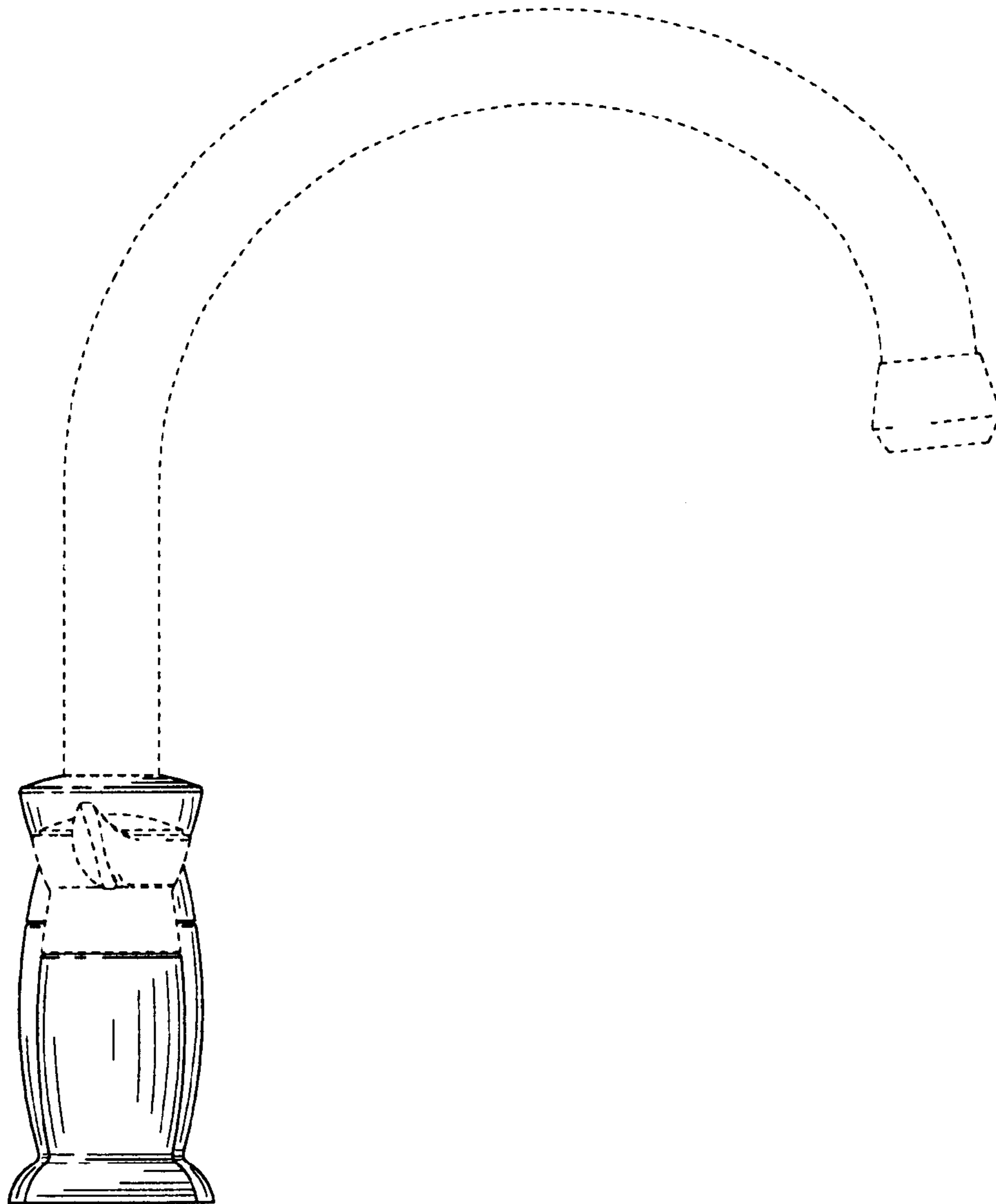
**FIG. 1**



**FIG. 2**



**FIG. 3**



**FIG. 4**

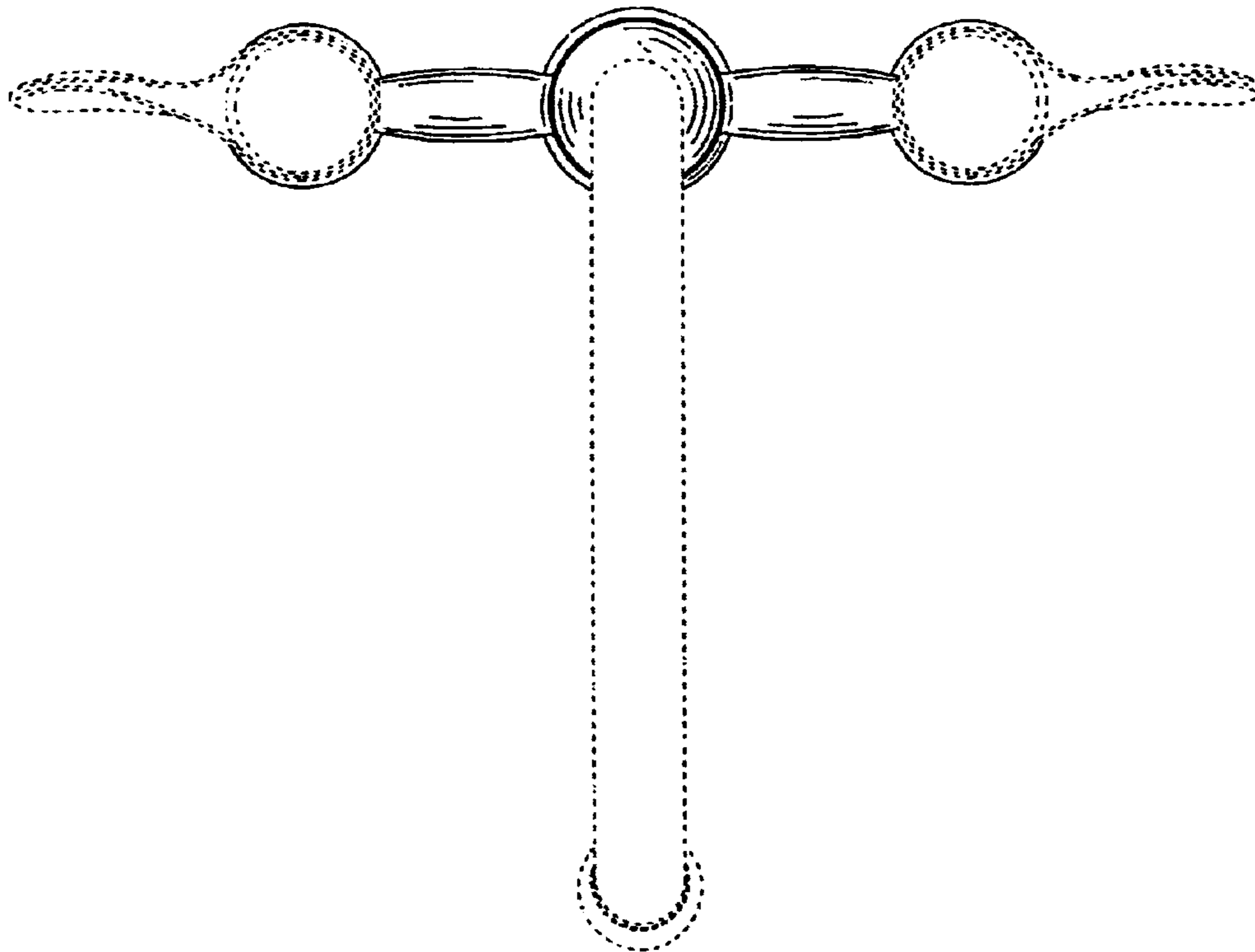


FIG. 5

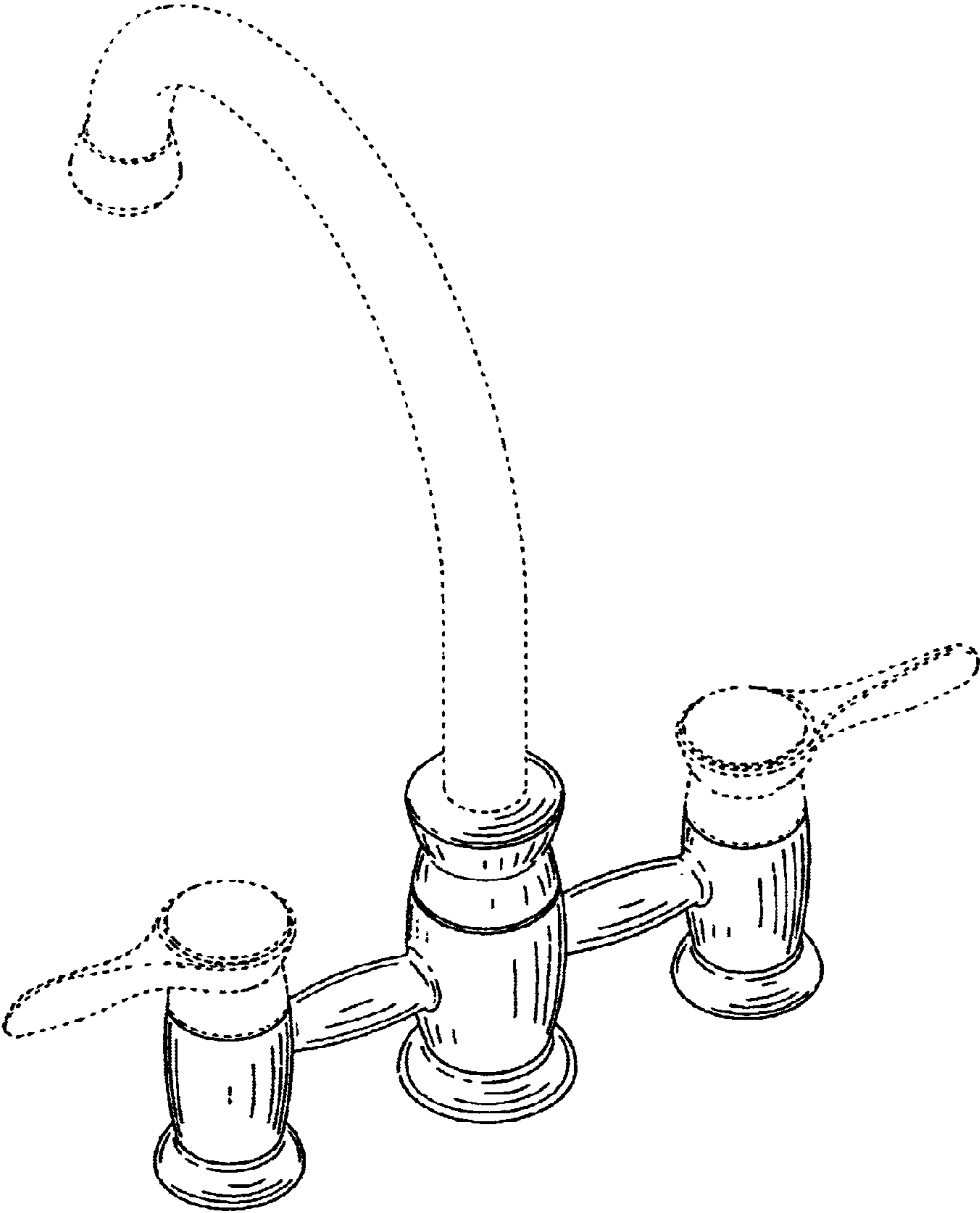


FIG. 6