



US00D524913S

(12) **United States Design Patent**  
**Chu et al.**

(10) **Patent No.:** **US D524,913 S**

(45) **Date of Patent:** **\*\* Jul. 11, 2006**

(54) **KITCHEN FAUCET**

D415,822 S \* 10/1999 Ouyoung ..... D23/226

(75) Inventors: **Aaron Chu**, Taichung (TW); **Ken Hsui**,  
Taichung (TW); **JC. Lai**, Taichung  
(TW)

\* cited by examiner

*Primary Examiner*—Louis S. Zarfes

*Assistant Examiner*—Gregory Andoll

(74) *Attorney, Agent, or Firm*—Troxell Law Office, PLLC

(73) Assignee: **Globe Union Industrial Corp.**,  
Taichung (TW)

(57) **CLAIM**

(\*\*) Term: **14 Years**

The ornamental design for kitchen faucet, as shown and described.

(21) Appl. No.: **29/230,146**

**DESCRIPTION**

(22) Filed: **May 18, 2005**

FIG. 1 is a perspective view of kitchen faucet showing my new design;

(51) **LOC (8) Cl.** ..... **23-01**

FIG. 2 is a front elevational view thereof;

(52) **U.S. Cl.** ..... **D23/239; D23/238**

FIG. 3 is a rear elevational view thereof;

(58) **Field of Classification Search** ..... D23/226,

FIG. 4 is a left elevational view thereof;

D23/238–257; 4/675–678; 137/801

FIG. 5 is a right elevational view thereof; and,

See application file for complete search history.

FIG. 6 is a top plan view thereof.

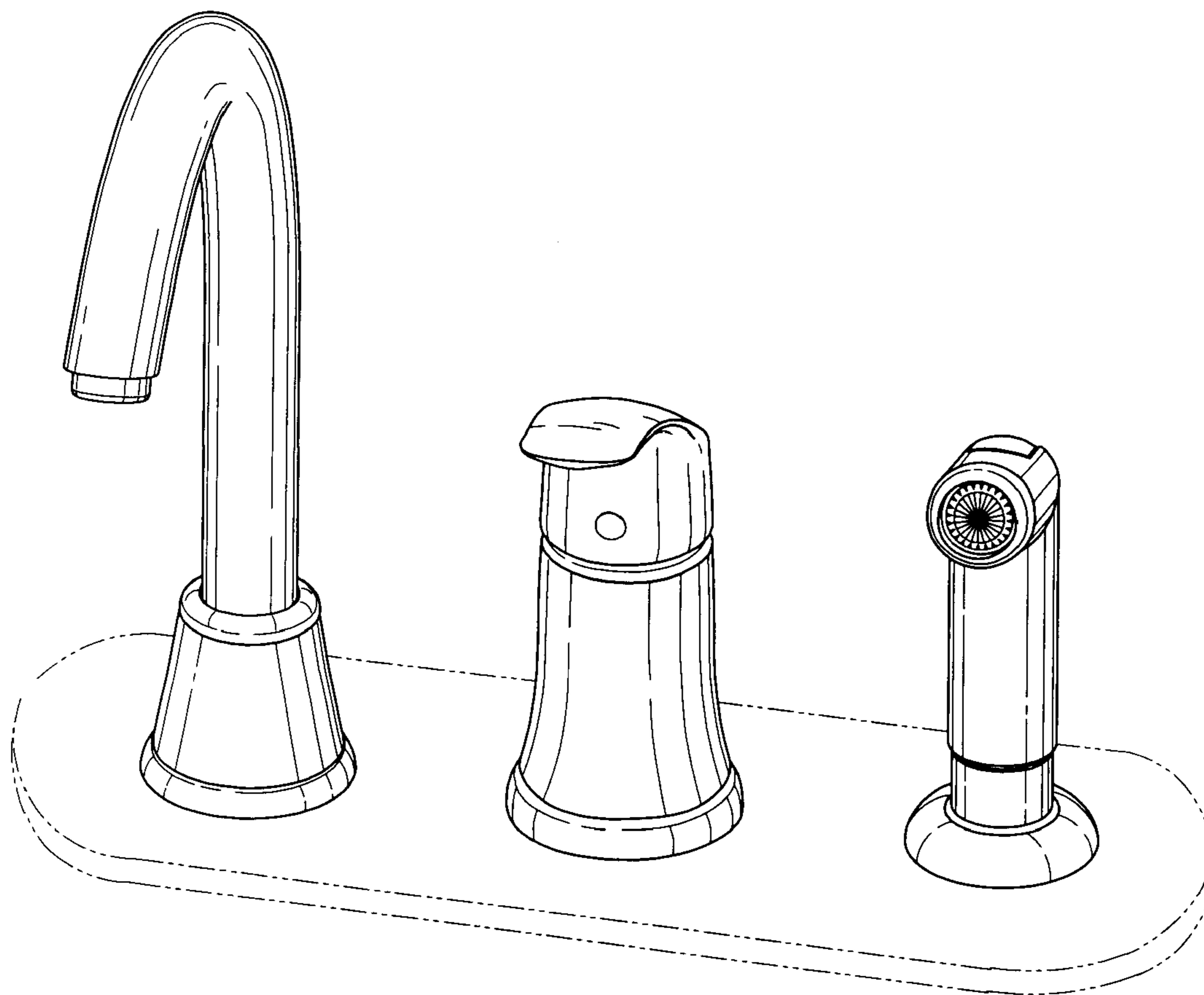
The bottom forms no part of the claimed design and the broken lines in the Figures are for illustrative purposes and form no part of the claimed design.

(56) **References Cited**

**U.S. PATENT DOCUMENTS**

D387,133 S \* 12/1997 Donahue et al. .... D23/242

**1 Claim, 6 Drawing Sheets**



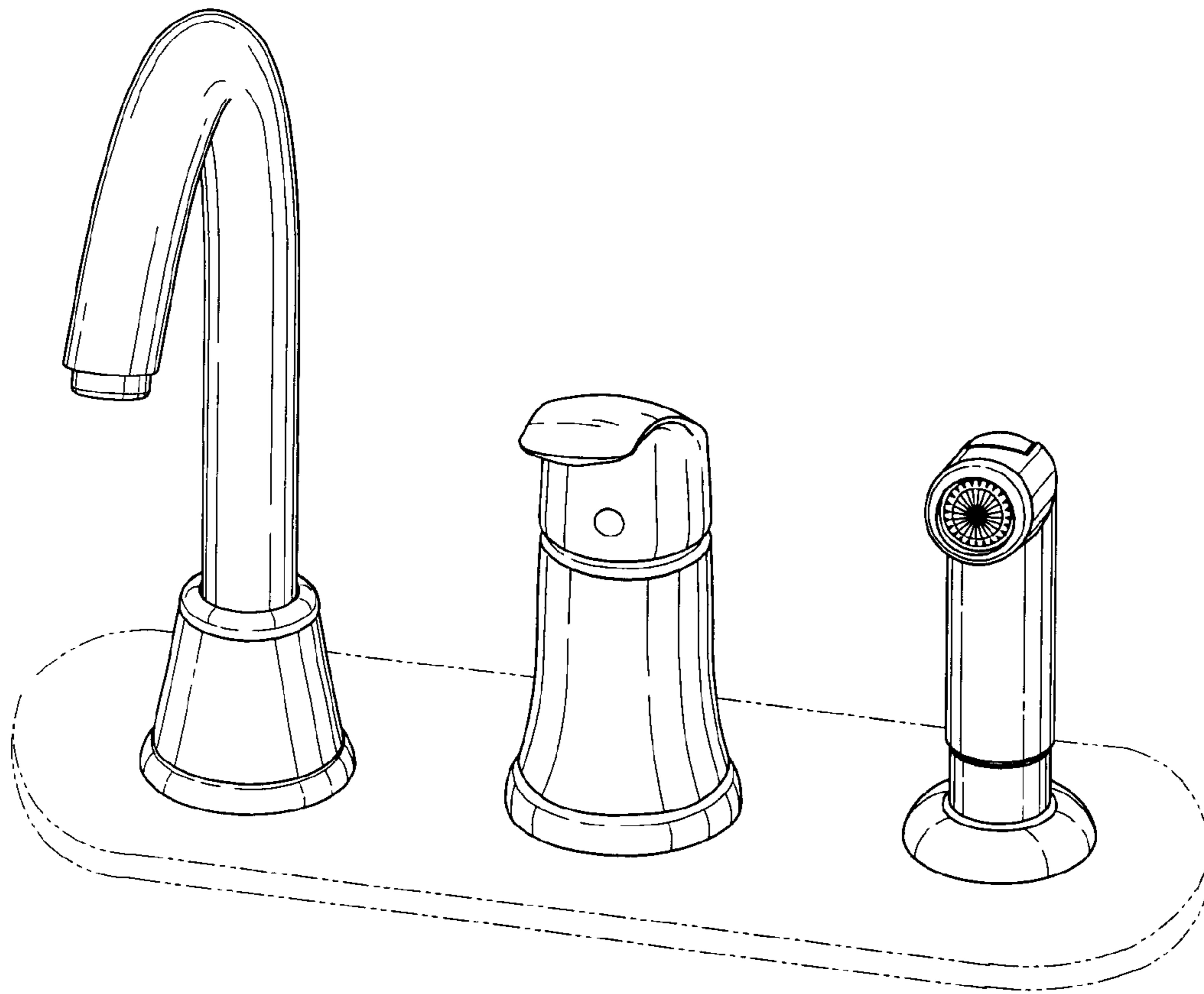


FIG. 1

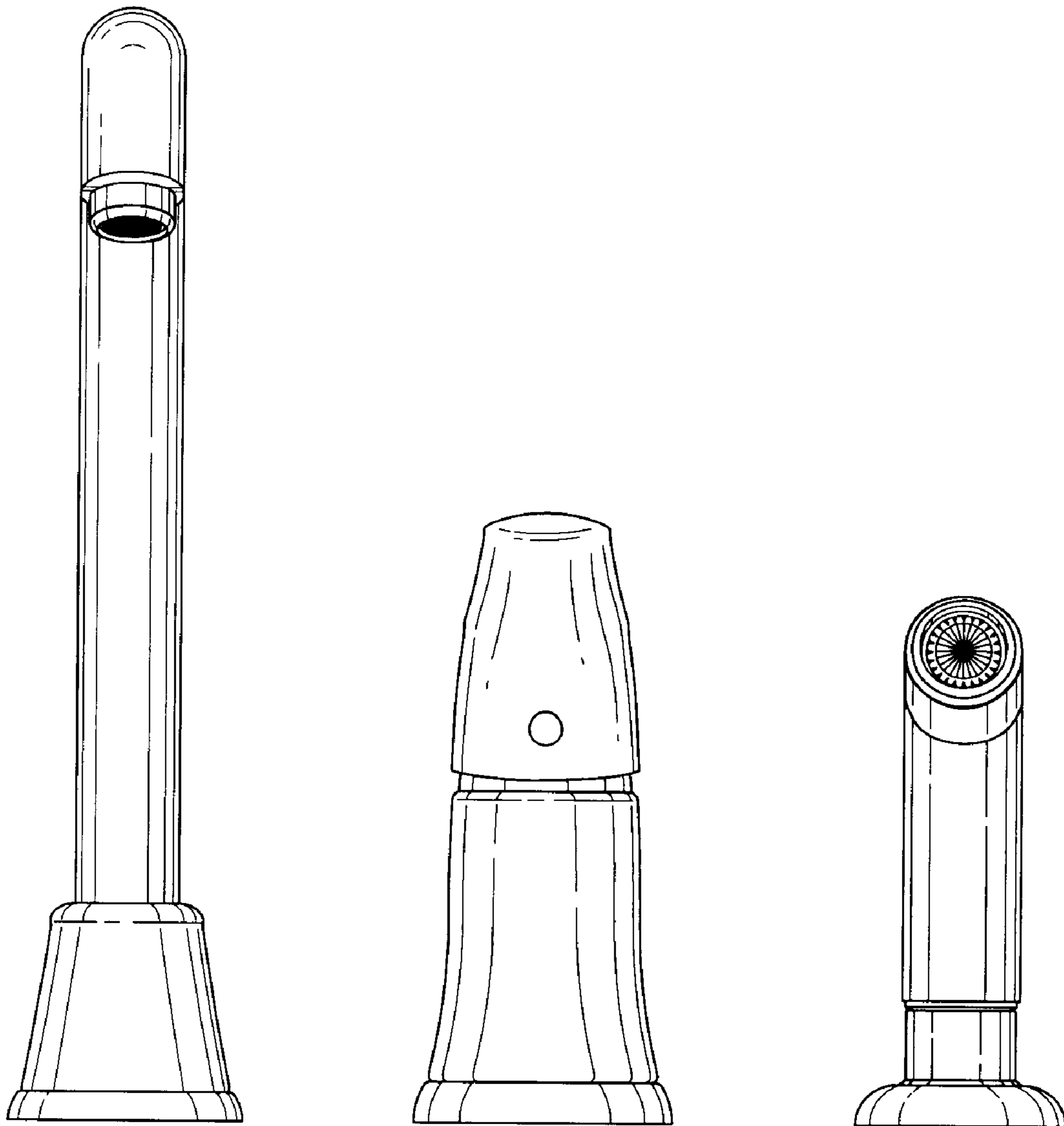


FIG. 2

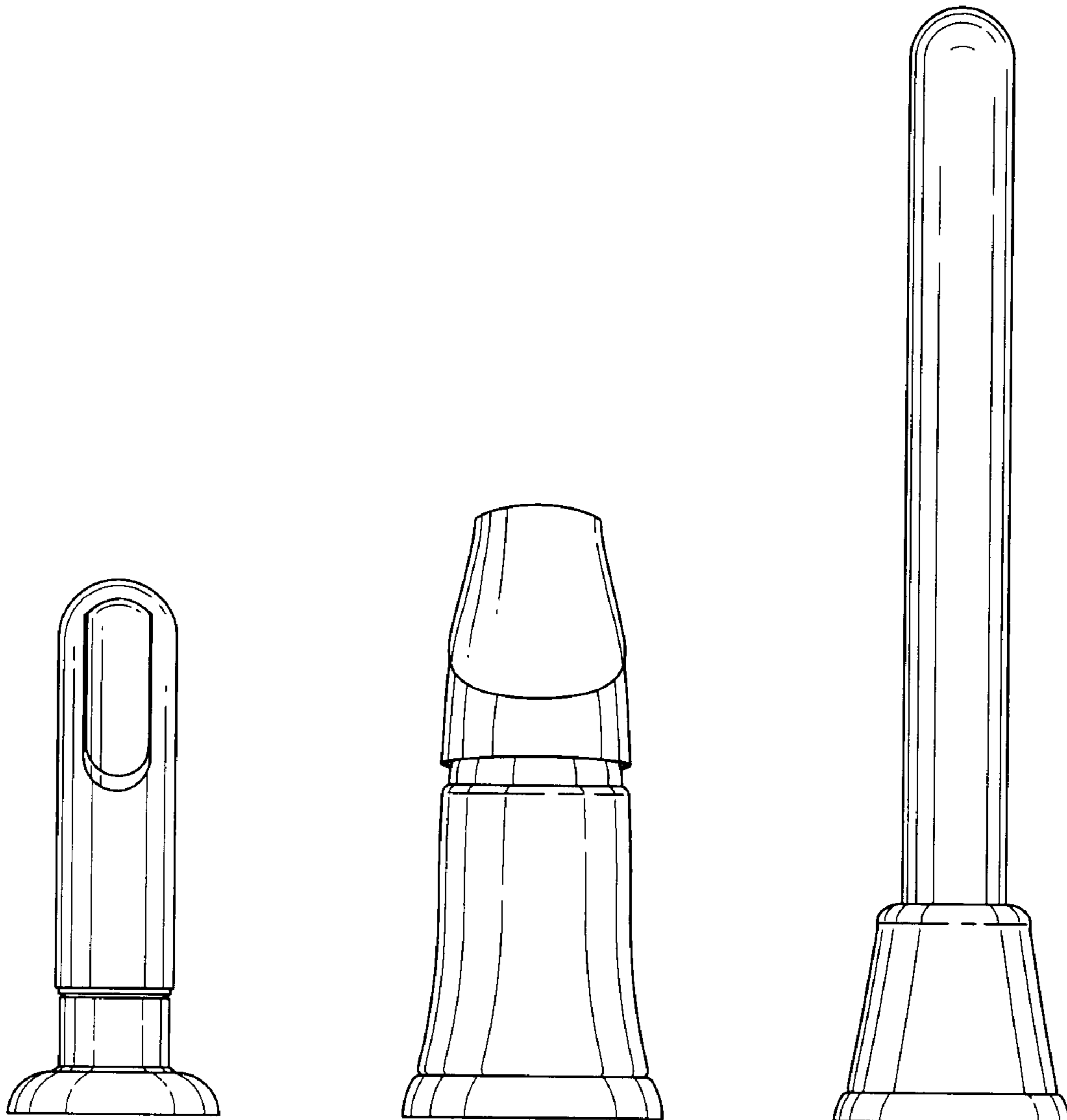


FIG. 3

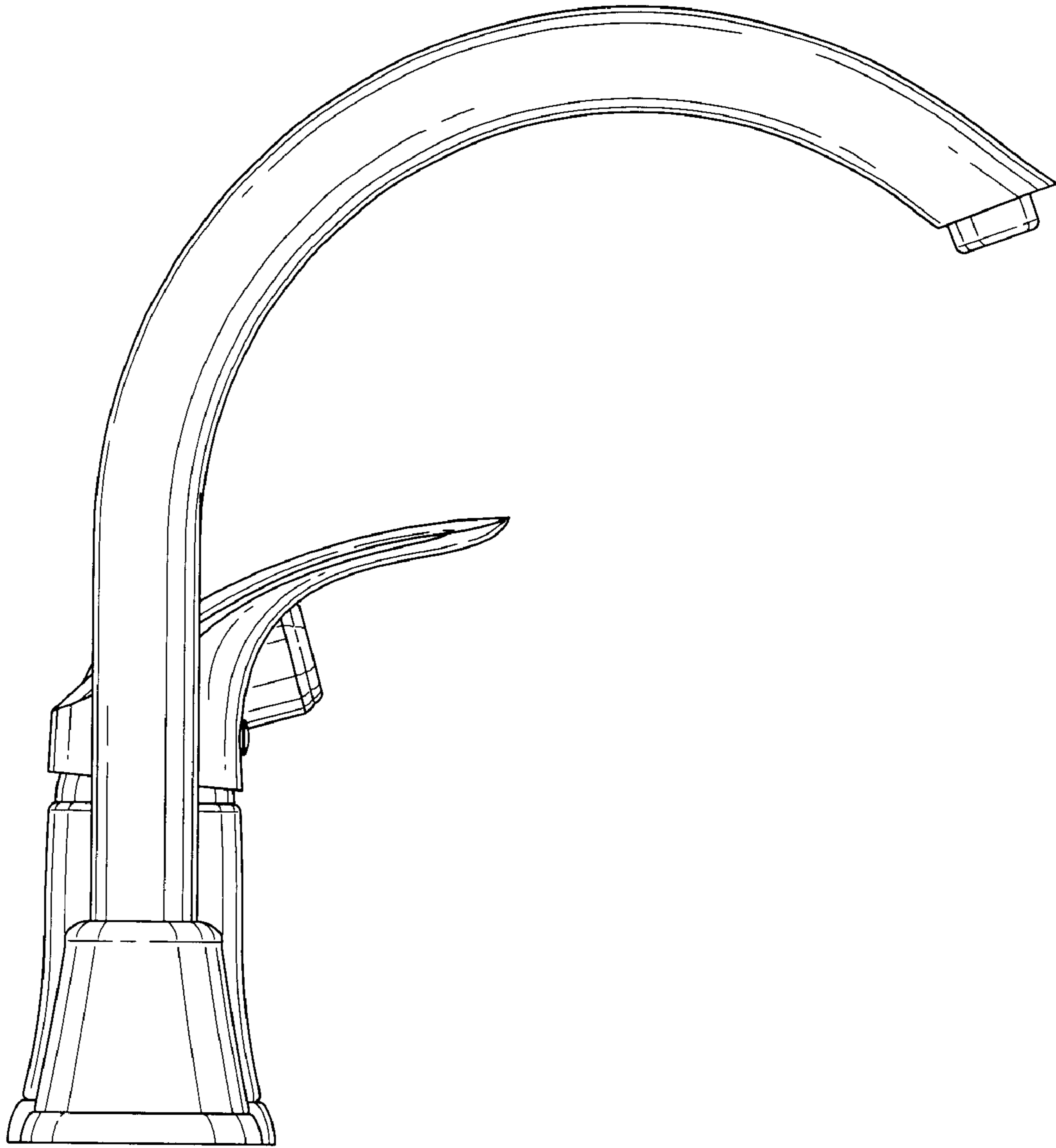


FIG. 4

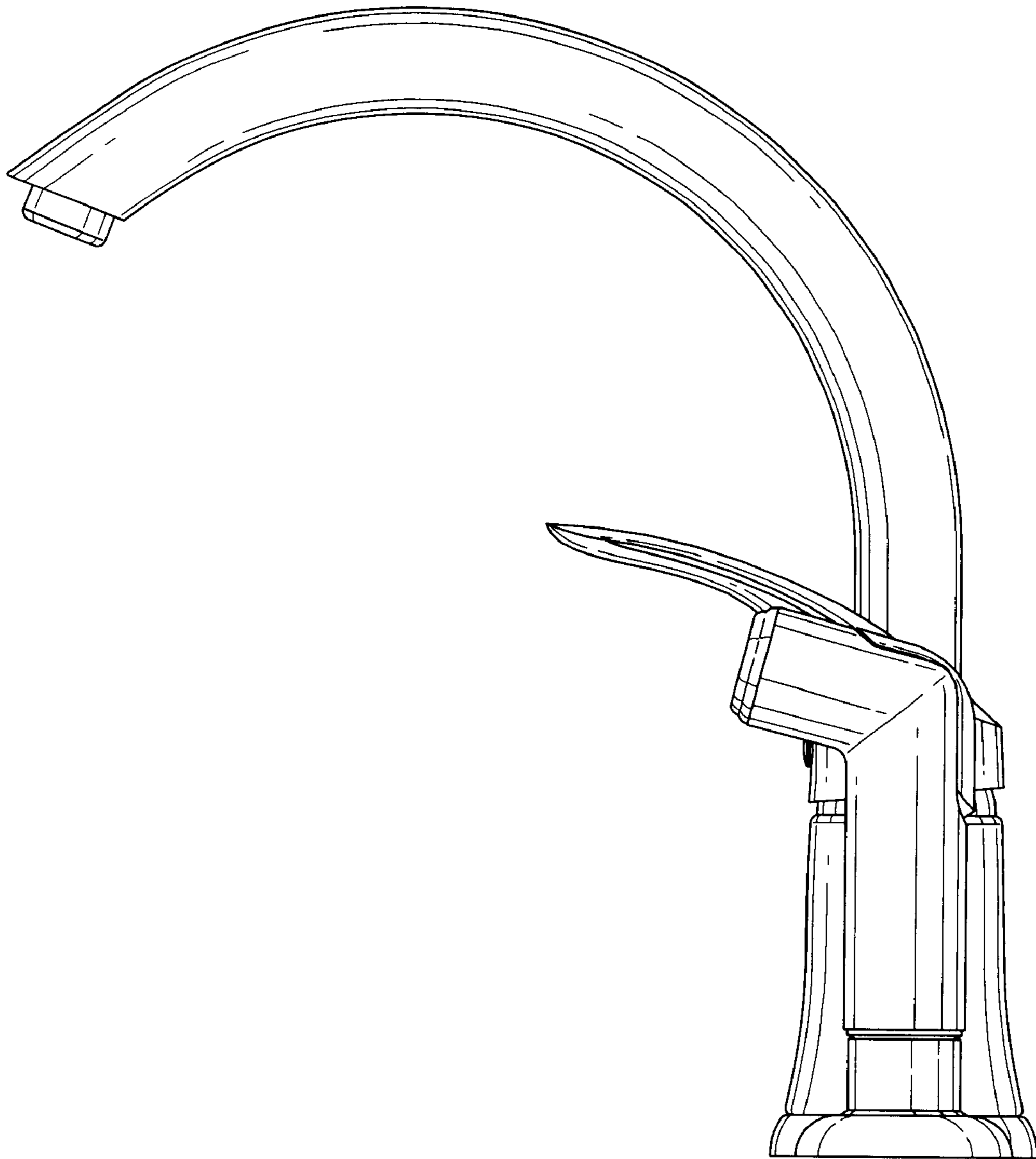


FIG. 5

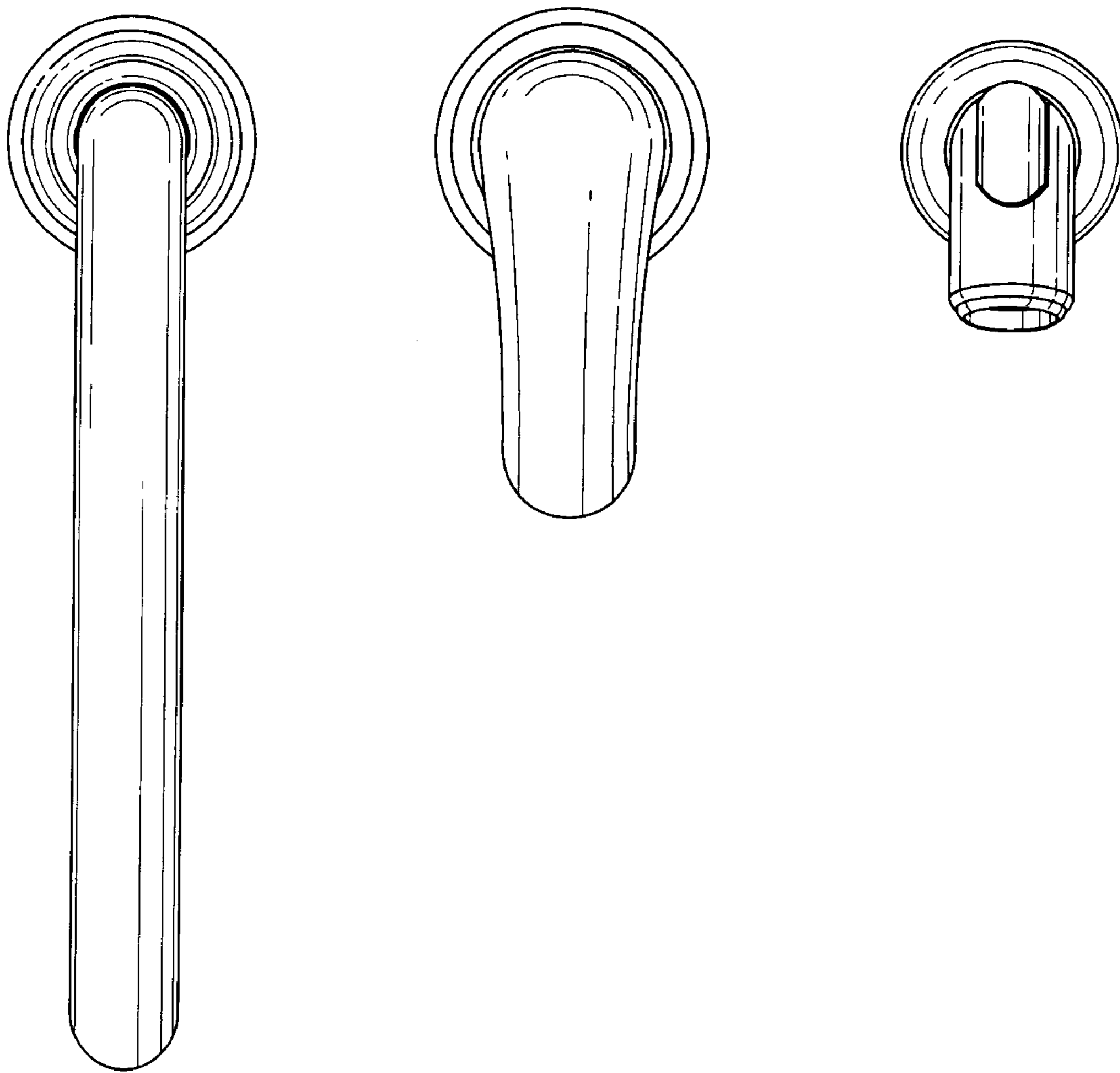


FIG. 6