



US00D524911S

(12) **United States Design Patent** (10) **Patent No.:** **US D524,911 S**
Thompson et al. (45) **Date of Patent:** **** Jul. 11, 2006**

(54) **VALVE**

FOREIGN PATENT DOCUMENTS

(75) Inventors: **Terry J. Thompson**, Wakeman, OH (US); **Terrence M. Fulkerson**, Brunswick Hills, OH (US)

DE	4423653	A1	1/1996
DE	19705381	A1	8/1998
DE	10125658	A1	11/2002
EP	1270087	B1	1/2003
EP	1270087	A1	1/2003
GB	1485255		9/1977
JP	53-25658		3/1978
JP	54-65737		5/1979
JP	54-96545		7/1979
JP	55022355		2/1980
JP	4358554		11/1992
JP	7-313922		12/1995
JP	8-91565		4/1996
JP	10-24255		1/1998
JP	2000-254558		9/2000
JP	2000-312846		11/2000
JP	2000-312848		11/2000

(73) Assignee: **Nordson Corporation**, Westlake, OH (US)

(**) Term: **14 Years**

(21) Appl. No.: **29/240,213**

(22) Filed: **Oct. 11, 2005**

Related U.S. Application Data

(63) Continuation of application No. 11/144,878, filed on Jun. 3, 2005.

(51) **LOC (8) Cl.** **23-01**

(52) **U.S. Cl.** **D23/233**

(58) **Field of Classification Search** D23/233-237, D23/244-249; D7/398; D34/39; 239/337, 239/349, 353, 569; 118/308, 300; 137/209
See application file for complete search history.

(56) **References Cited**

U.S. PATENT DOCUMENTS

D94,288	S	*	1/1935	Teahen	D23/247
2,806,781	A		9/1957	Sheperd et al.		
2,895,768	A		7/1959	Bray, Jr.		
3,167,359	A		1/1965	Aller		
3,667,674	A		6/1972	Parsons et al.		
3,782,632	A		1/1974	Braun et al.		
3,873,024	A		3/1975	Probsi et al.		
3,912,235	A		10/1975	Janssen		
3,924,810	A		12/1975	Otterstetter		
4,248,379	A		2/1981	Hollstein et al.		
4,269,548	A		5/1981	von Bennigsen-Mackiewicz et al.		
4,302,481	A		11/1981	Ribnitz et al.		
4,345,858	A		8/1982	Barlow		
4,381,898	A		5/1983	Rotolico et al.		
4,391,860	A		7/1983	Rotolico et al.		
D276,299	S	*	11/1984	Reardon	D23/245

(Continued)

OTHER PUBLICATIONS

Patrial International Search Report from PCT/US2005/019740, mailed Oct. 10, 2005, 2 pgs.

Primary Examiner—Ian Simmons
Assistant Examiner—Maurice Stevens
(74) *Attorney, Agent, or Firm*—Calfee, Halter & Griswold LLP

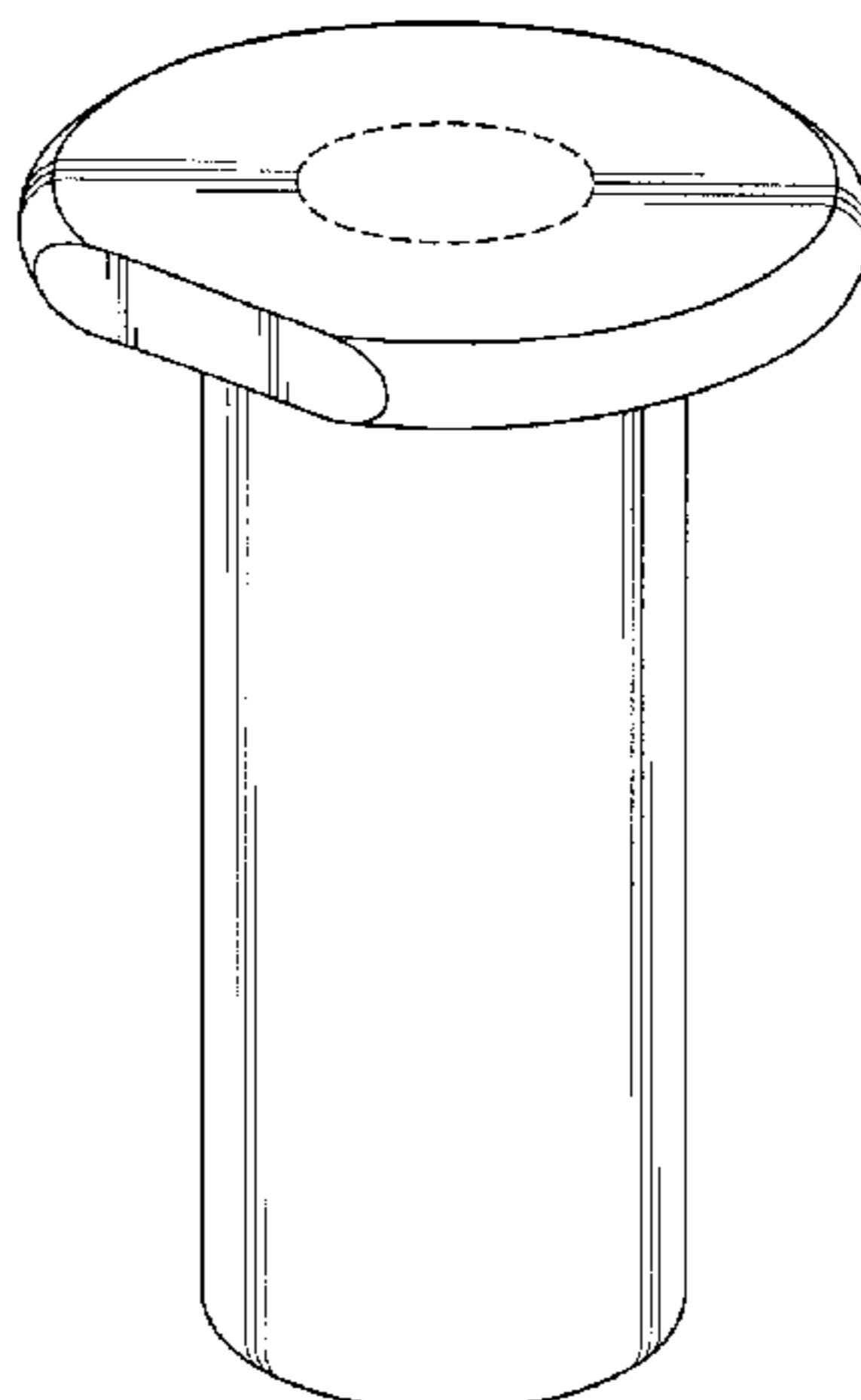
(57) **CLAIM**

The ornamental design for a valve, as shown and described.

DESCRIPTION

FIG. 1 is a perspective view of a valve of the new design; FIG. 2 is a front elevational view of the valve of FIG. 1; FIG. 3 is a top plan view of the valve of FIG. 1; FIG. 4 is a bottom plan view of the valve of FIG. 1; FIG. 5 is right side elevational view of the valve of FIG. 1; FIG. 6 is left side elevational view of the valve of FIG. 1; and, FIG. 7 is rear elevational view of the valve of FIG. 1. The portions of the Figures shown in broken lines are not part of the claimed design and are for illustration only.

1 Claim, 2 Drawing Sheets



US D524,911 S

Page 2

U.S. PATENT DOCUMENTS					
4,576,526	A	3/1986 Muller et al.	6,112,999	A	9/2000 Fingleton et al.
4,627,465	A	12/1986 Kolibas et al.	6,179,221	B1 *	1/2001 Goldberg et al. 239/106
4,640,310	A	2/1987 Hartle et al.	6,223,997	B1	5/2001 Fulkerson et al.
4,657,047	A	4/1987 Kolibas	D443,811	S *	6/2001 Tisbo D8/356
4,697,962	A	10/1987 Dunbar et al.	6,315,214	B1	11/2001 Fingleton et al.
4,787,783	A	11/1988 Girardelli	6,419,425	B1	7/2002 Fourcroy et al.
4,826,362	A	5/1989 Hayashi	6,589,342	B1	7/2003 Attinoto et al.
4,850,703	A	7/1989 Hanaoka et al.	6,619,563	B1	9/2003 van der Steur
D318,412	S *	7/1991 Williams D8/356	6,651,902	B1	11/2003 Ehinger et al.
5,037,247	A	8/1991 Kaiser et al.	6,682,001	B1	1/2004 Diana
5,147,152	A	9/1992 Link	6,695,220	B1	2/2004 Vollmer
5,215,261	A	6/1993 Frene	6,699,325	B1	3/2004 Mauchle et al.
5,288,324	A	2/1994 Shaneyfelt	6,705,545	B1	3/2004 Sroka et al.
D348,922	S *	7/1994 Thrasher et al. D23/233	6,908,048	B1	6/2005 Digioia et al.
D368,299	S *	3/1996 Ratledge D23/235	D508,199	S *	8/2005 Winig et al. D8/356
5,549,755	A	8/1996 Milovich et al.	2002/0139301	A1 *	10/2002 Attinoto et al. 118/308
5,622,457	A	4/1997 Thiele	2003/0138556	A1	7/2003 Binder
5,775,852	A	7/1998 Boutte et al.	2004/0060510	A1	4/2004 Ciarelli et al.
5,928,423	A	7/1999 Toyota et al.	2005/0095071	A1	5/2005 Kleineidam et al.
D424,167	S *	5/2000 Yuen et al. D23/233			

* cited by examiner

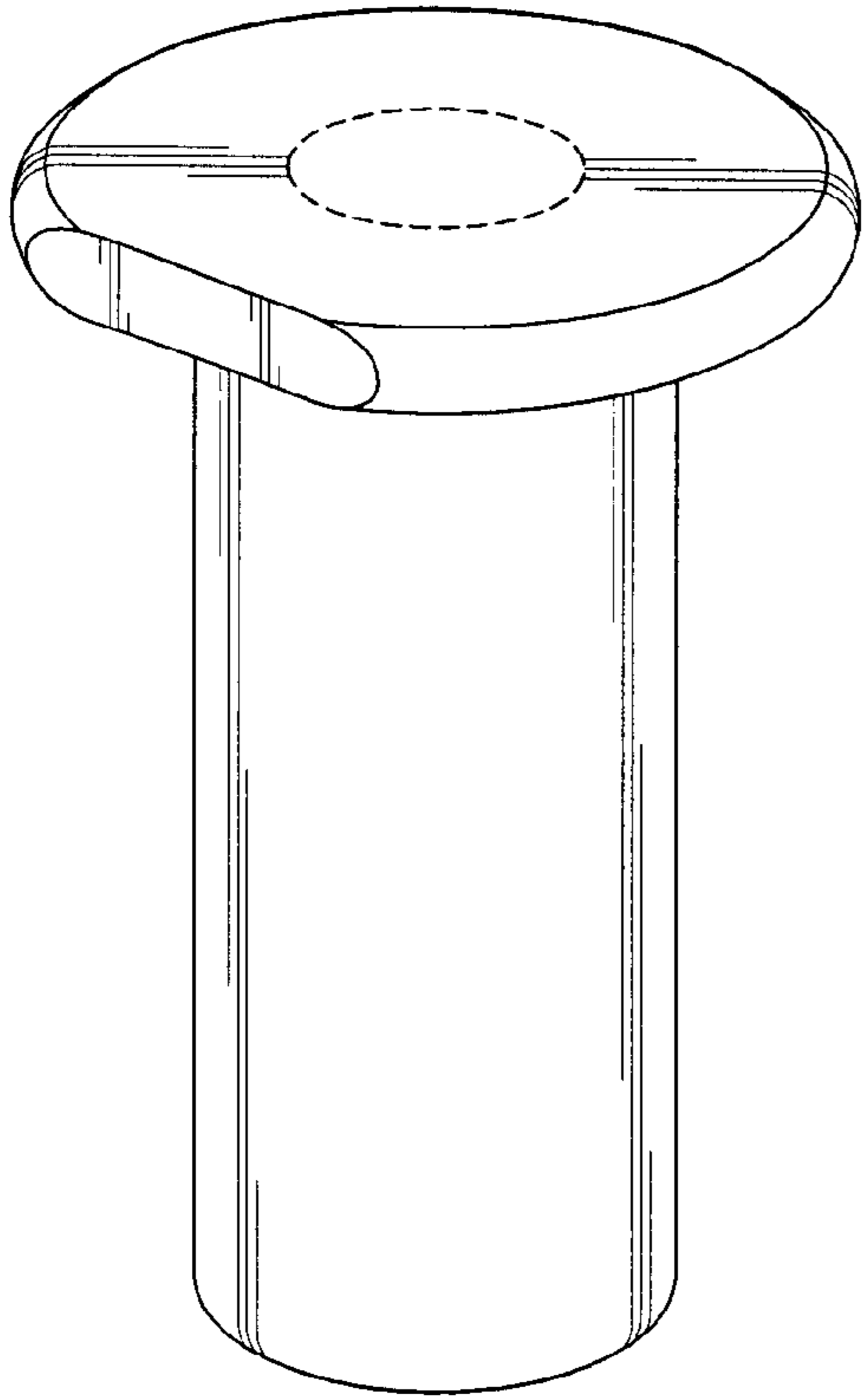


FIG. 1

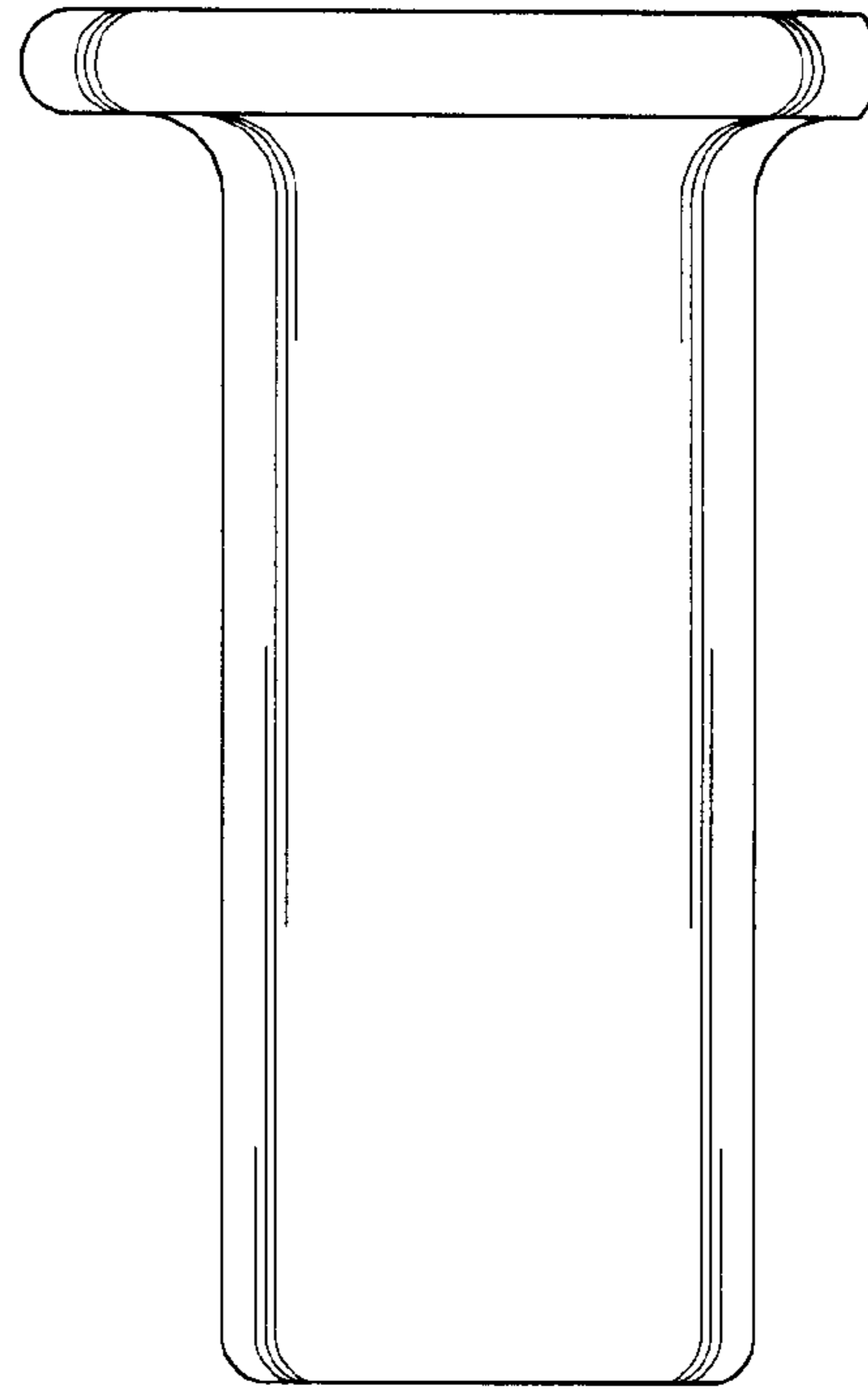


FIG. 2

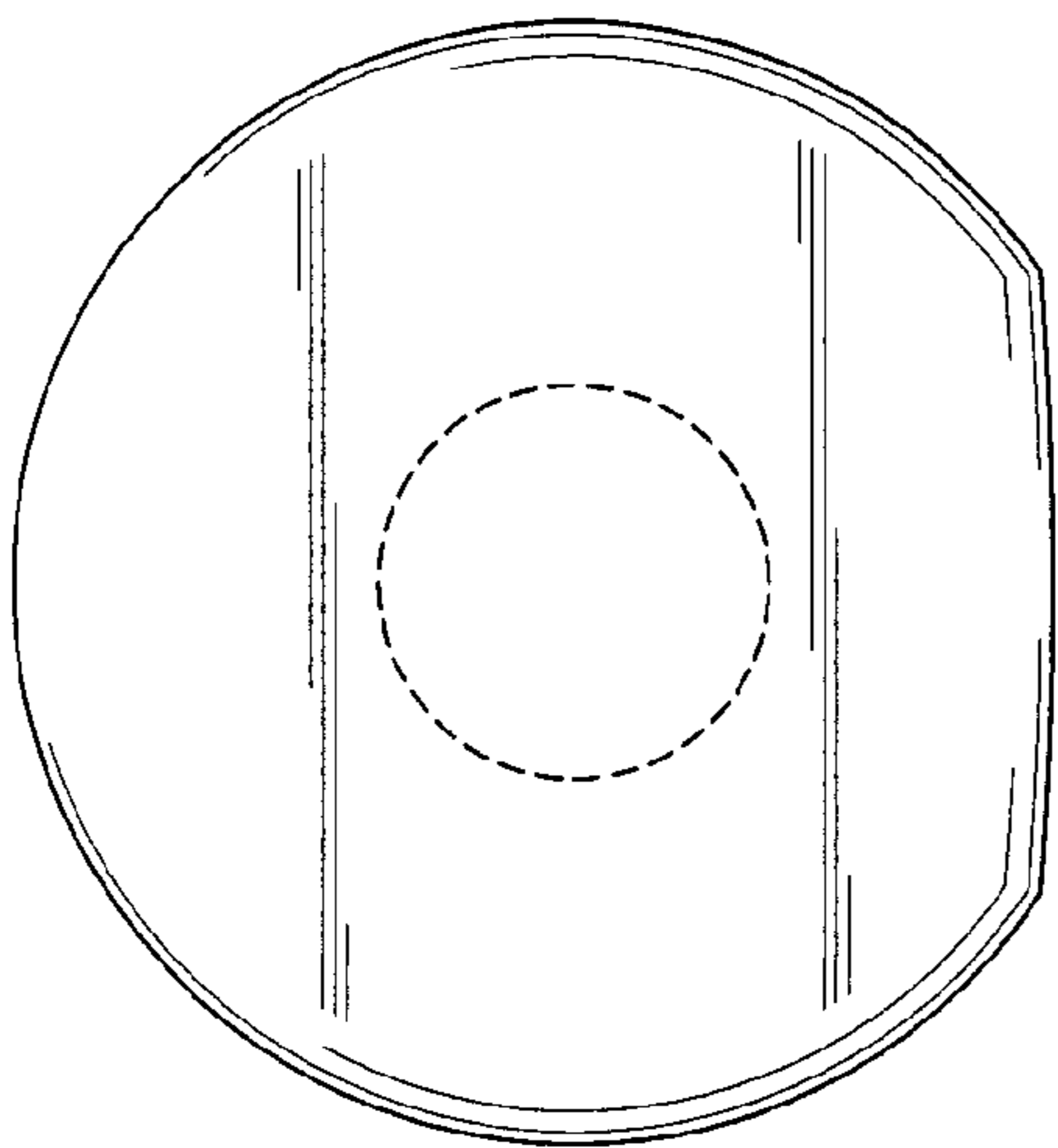


FIG. 3

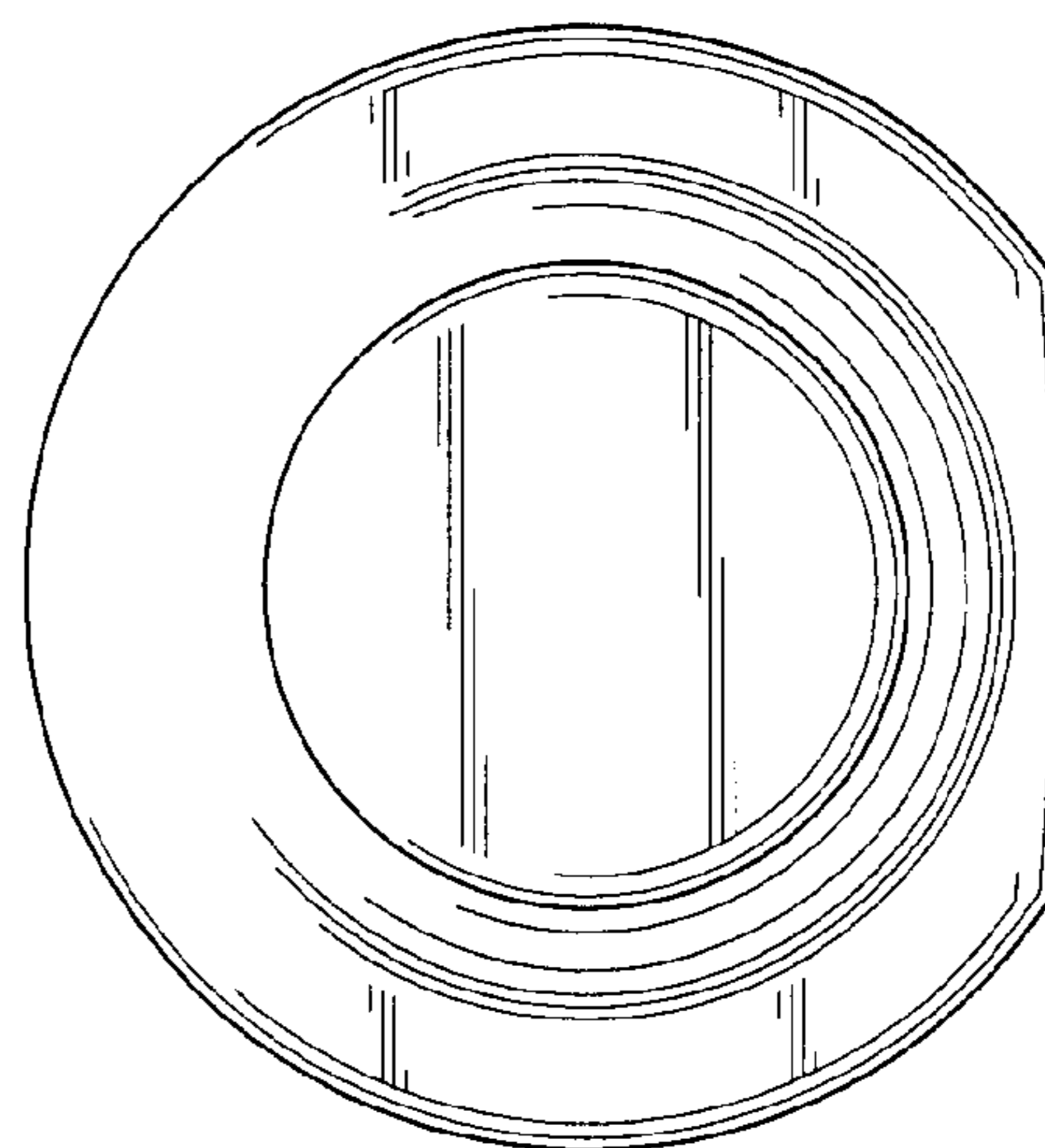


FIG. 4

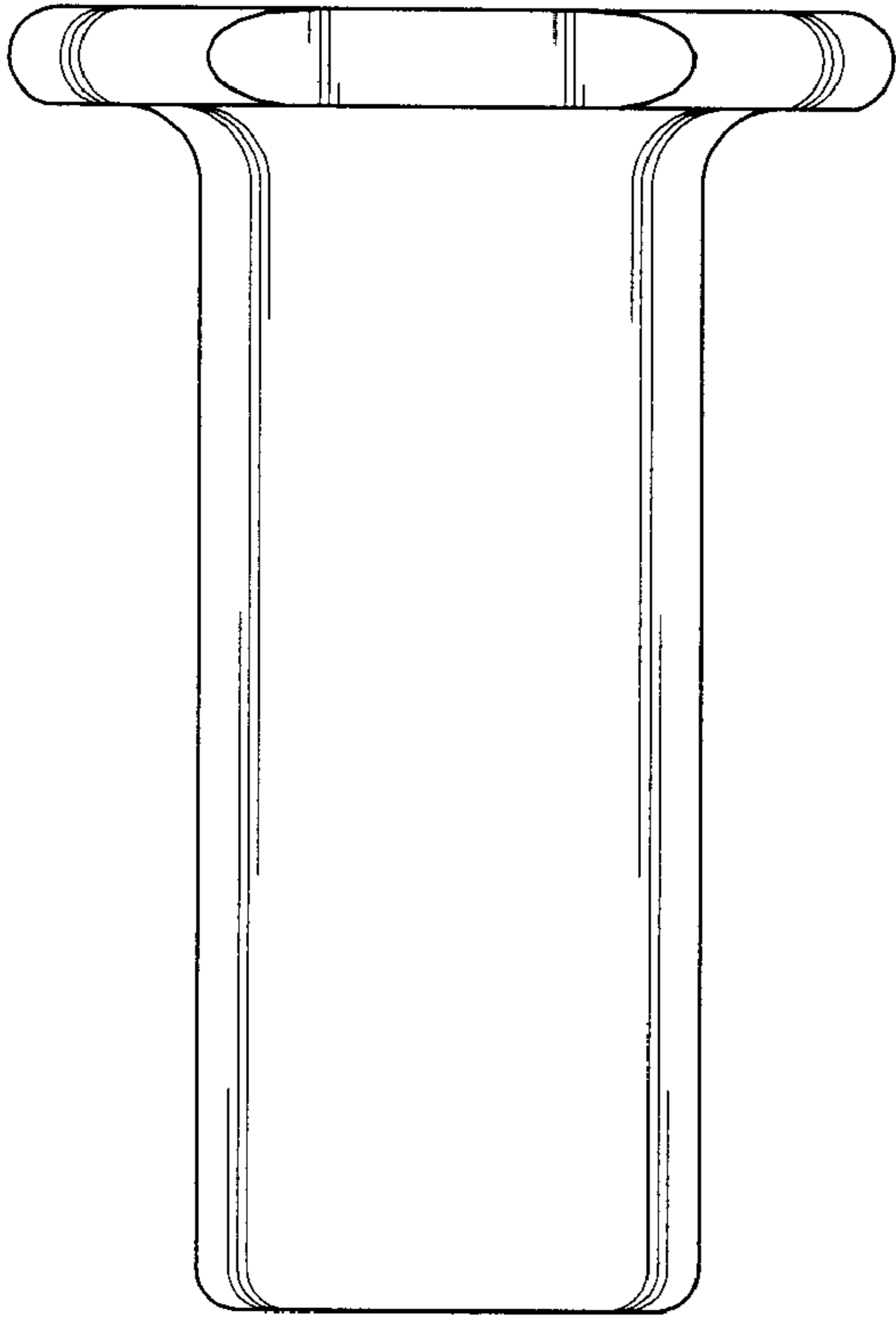


FIG. 5

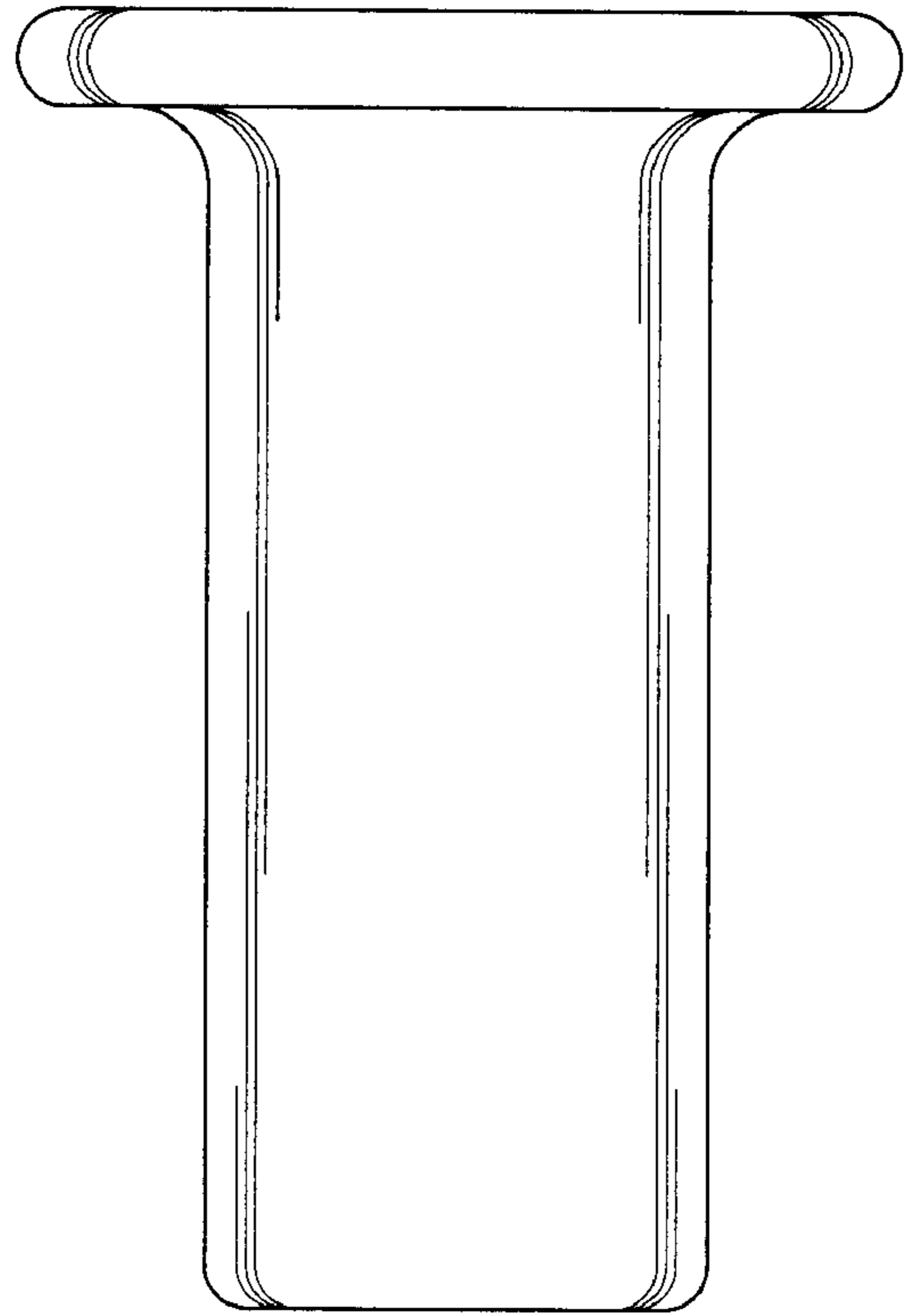


FIG. 6

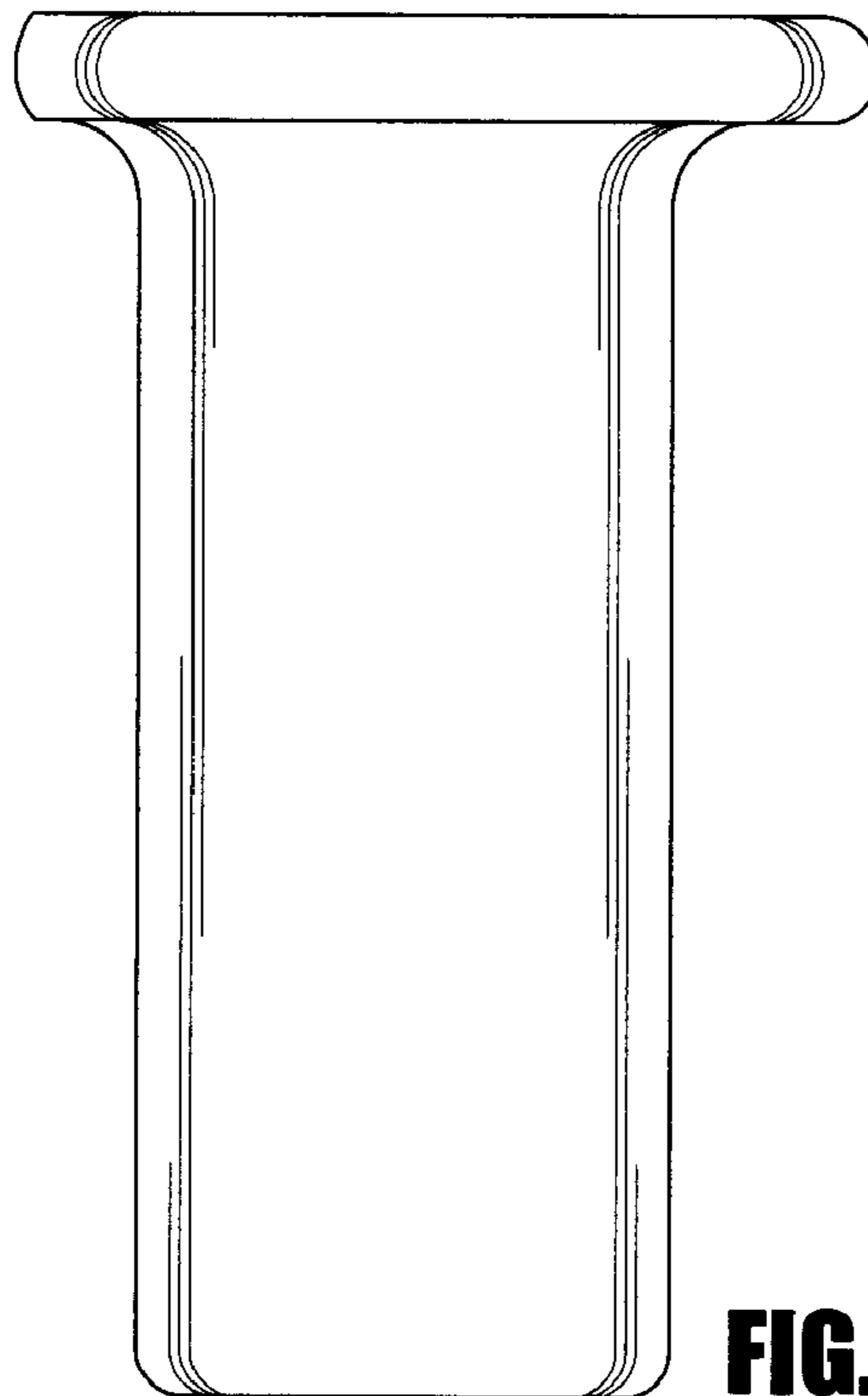


FIG. 7