



US00D524910S

(12) **United States Design Patent**
Matsumoto et al.

(10) **Patent No.:** **US D524,910 S**
(45) **Date of Patent:** **** Jul. 11, 2006**

(54) **ELECTROMAGNETIC VALVE**
(75) Inventors: **Takumi Matsumoto**, Ibaraki (JP);
Bunya Hayashi, Ibaraki (JP)

(73) Assignee: **SMC Corporation**, Tokyo (JP)
(**) Term: **14 Years**

(21) Appl. No.: **29/227,248**
(22) Filed: **Apr. 8, 2005**

(30) **Foreign Application Priority Data**
Oct. 8, 2004 (JP) 2004-030659

(51) **LOC (8) Cl.** **23-01**
(52) **U.S. Cl.** **D23/233**
(58) **Field of Classification Search** D23/233-237,
D23/244-249; 137/554, 557, 560, 882, 884,
137/269, 271, 343, 625.64, 304; 251/129.15,
251/129.18, 335.1, 366, 317, 904
See application file for complete search history.

(56) **References Cited**
U.S. PATENT DOCUMENTS

D338,258 S * 8/1993 Tamaki D23/248
D414,246 S * 9/1999 Hayashi et al. D23/233
D415,824 S * 10/1999 Sato et al. D23/233

D416,309 S * 11/1999 Hayashi et al. D23/233
D479,308 S * 9/2003 Hayashi et al. D23/233
D479,738 S * 9/2003 Hayashi et al. D23/233

* cited by examiner

Primary Examiner—Ian Simmons
Assistant Examiner—Maurice Stevens
(74) *Attorney, Agent, or Firm*—Hisako Muramatsu, Esq.

(57) **CLAIM**

The ornamental design for an electromagnetic valve, as shown and described.

DESCRIPTION

FIG. 1 shows a front view of a electromagnetic valve showing our new design;
FIG. 2 shows a back view thereof;
FIG. 3 shows a top view thereof;
FIG. 4 shows a bottom view thereof;
FIG. 5 shows a left side view thereof;
FIG. 6 shows a right side view thereof;
FIG. 7 shows a perspective view thereof;
FIG. 8 shows a bottom perspective view thereof; and,
FIG. 9 shows a perspective view thereof.
The broken lines showing in FIG. 9 are for illustrative purposes only and form no part of the claimed design.

1 Claim, 4 Drawing Sheets

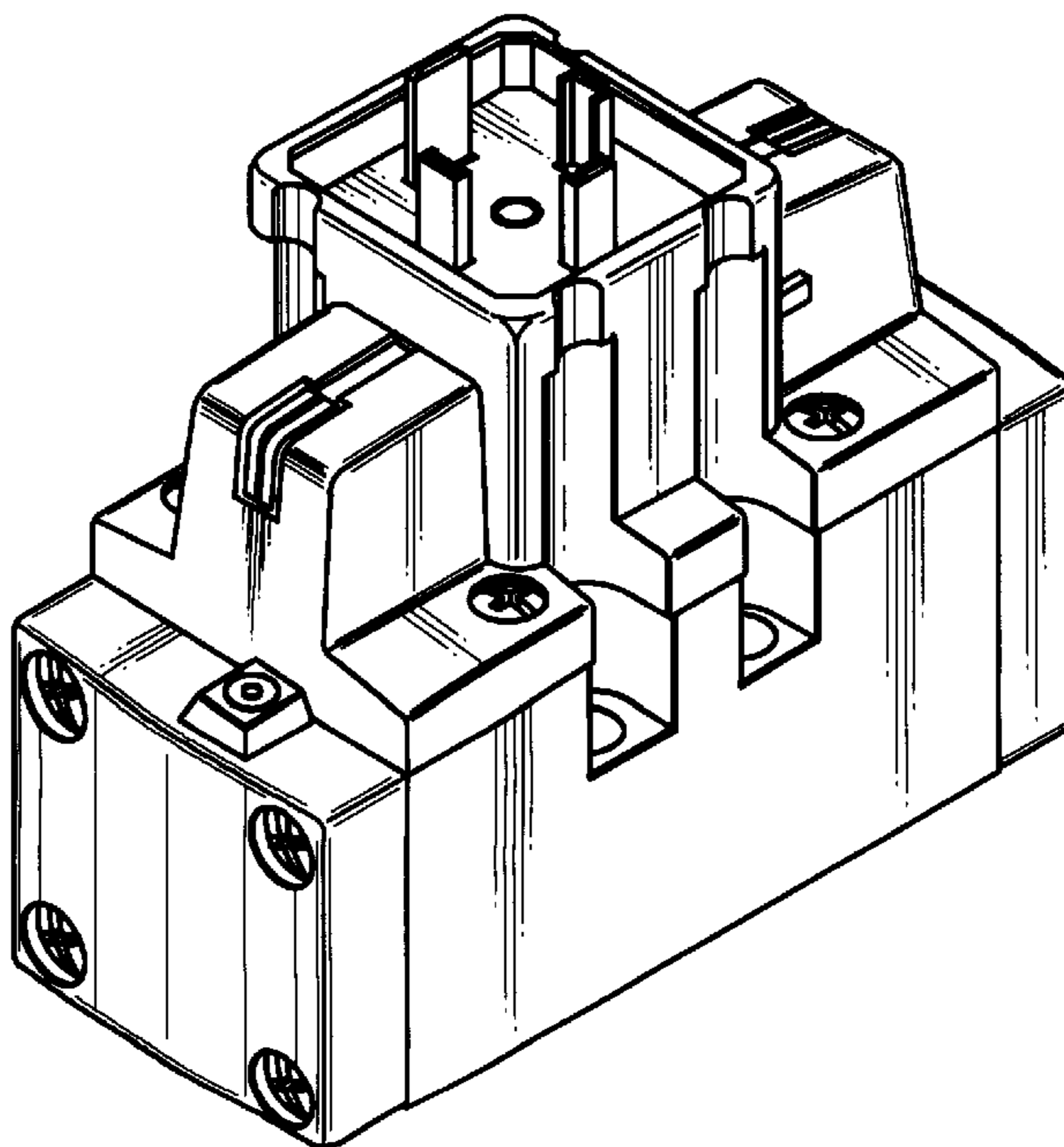


FIG. 1

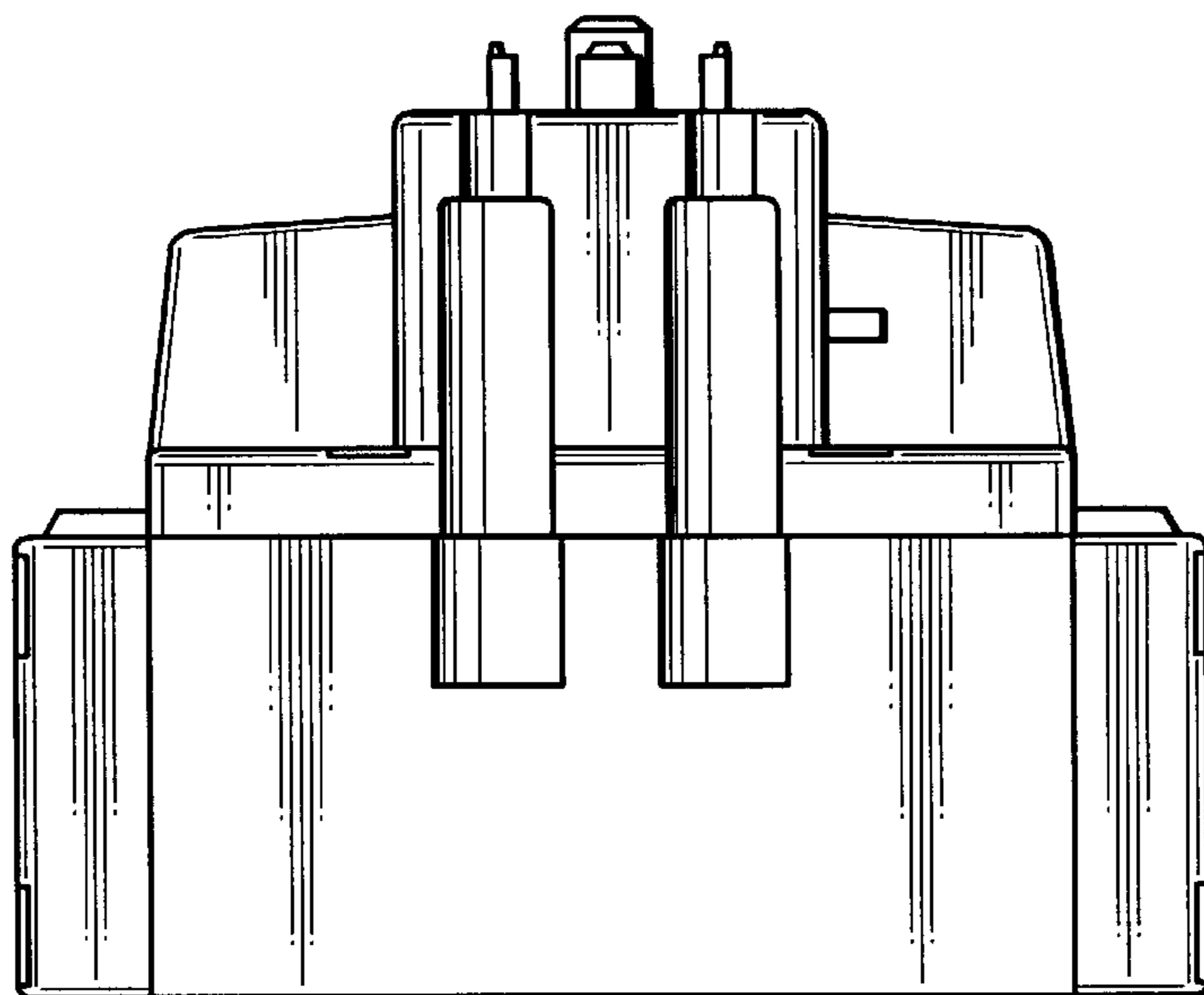


FIG. 2

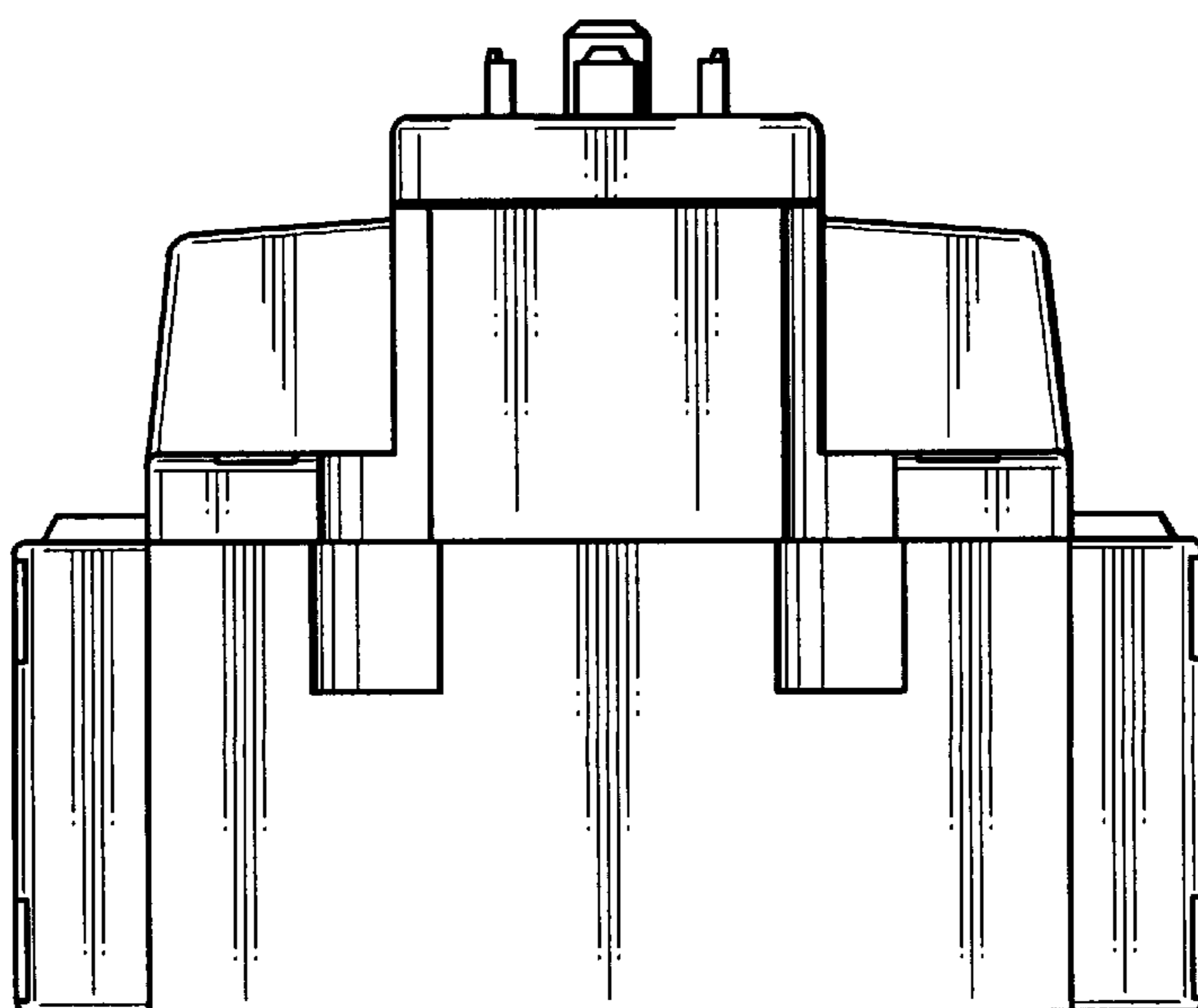


FIG. 3

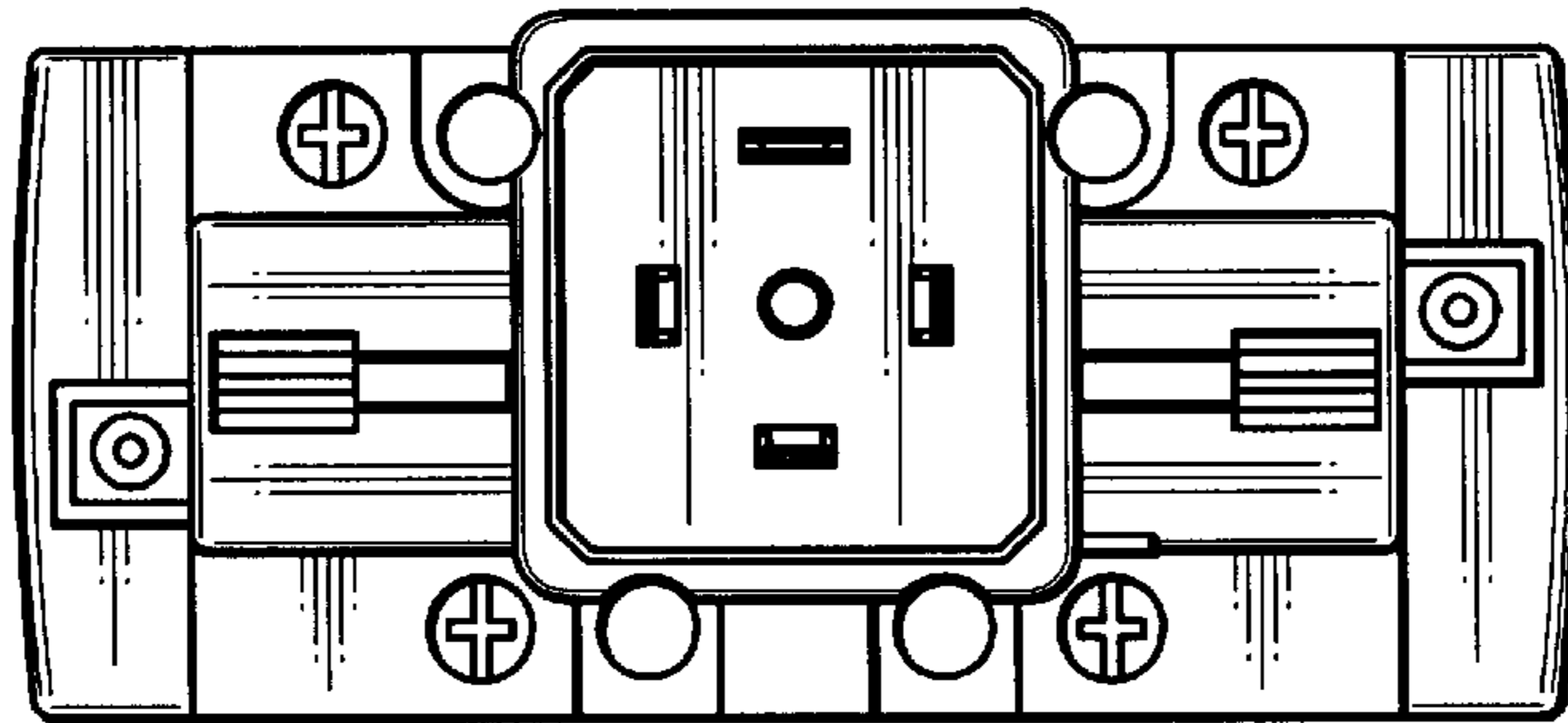


FIG. 4

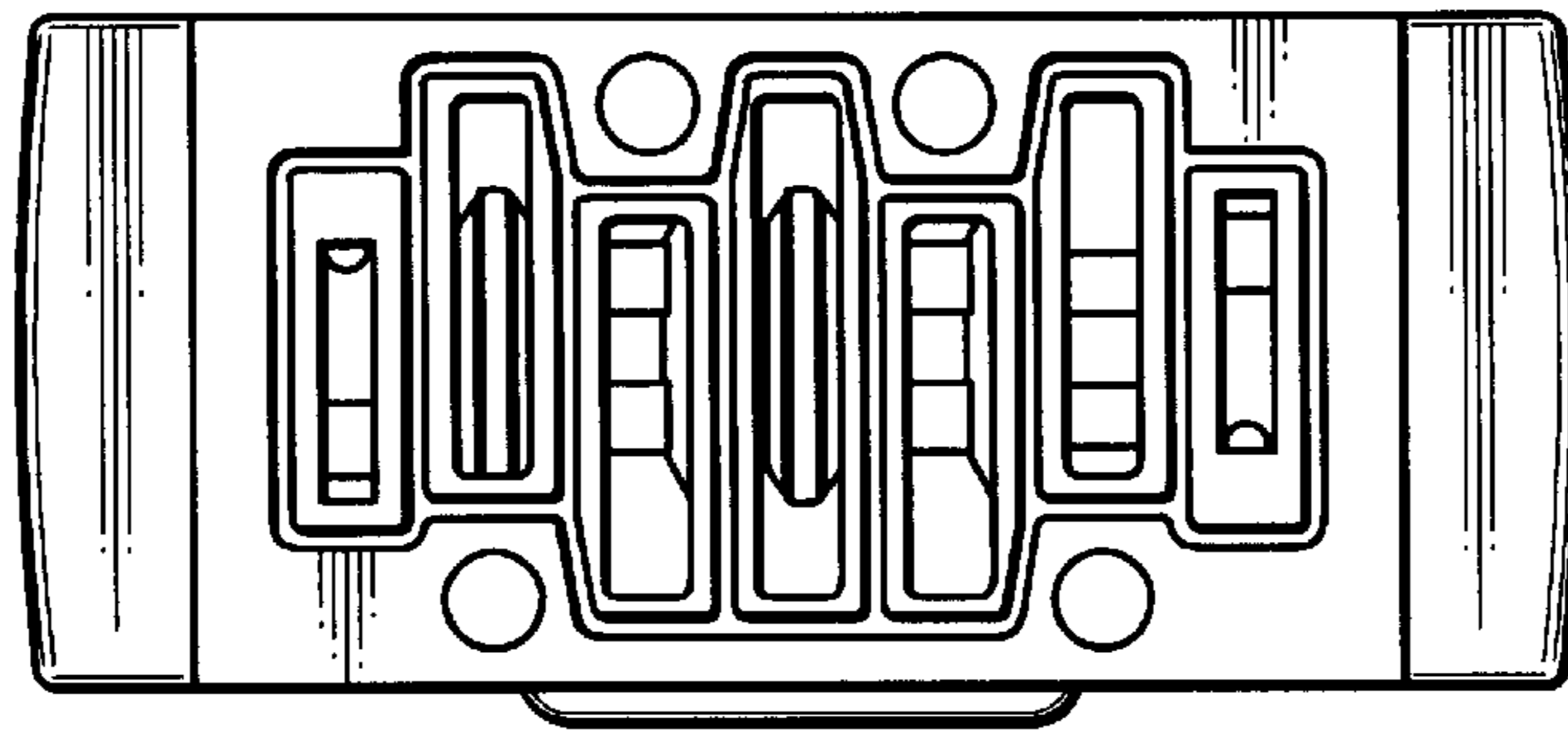


FIG. 5

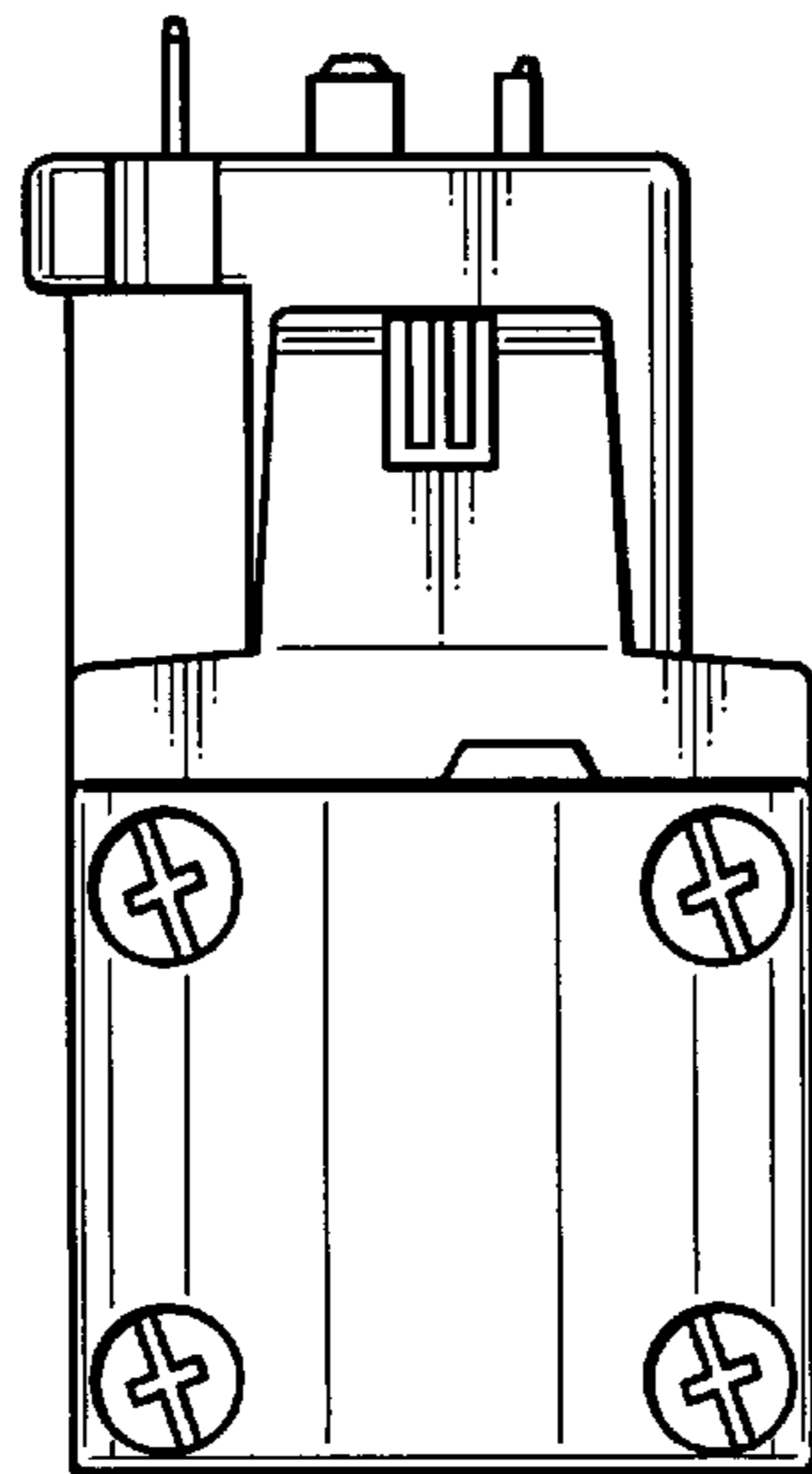


FIG. 6

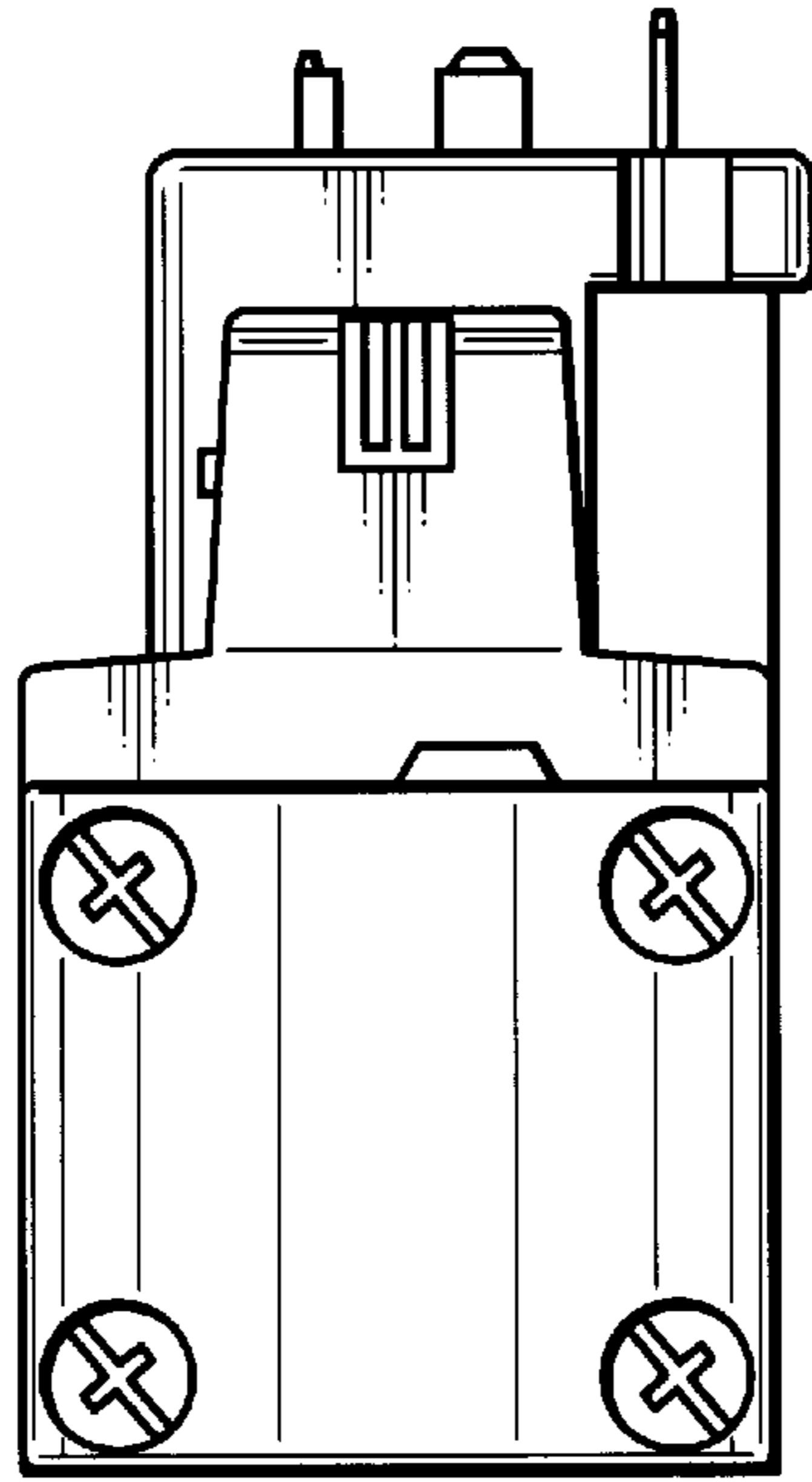


FIG. 7

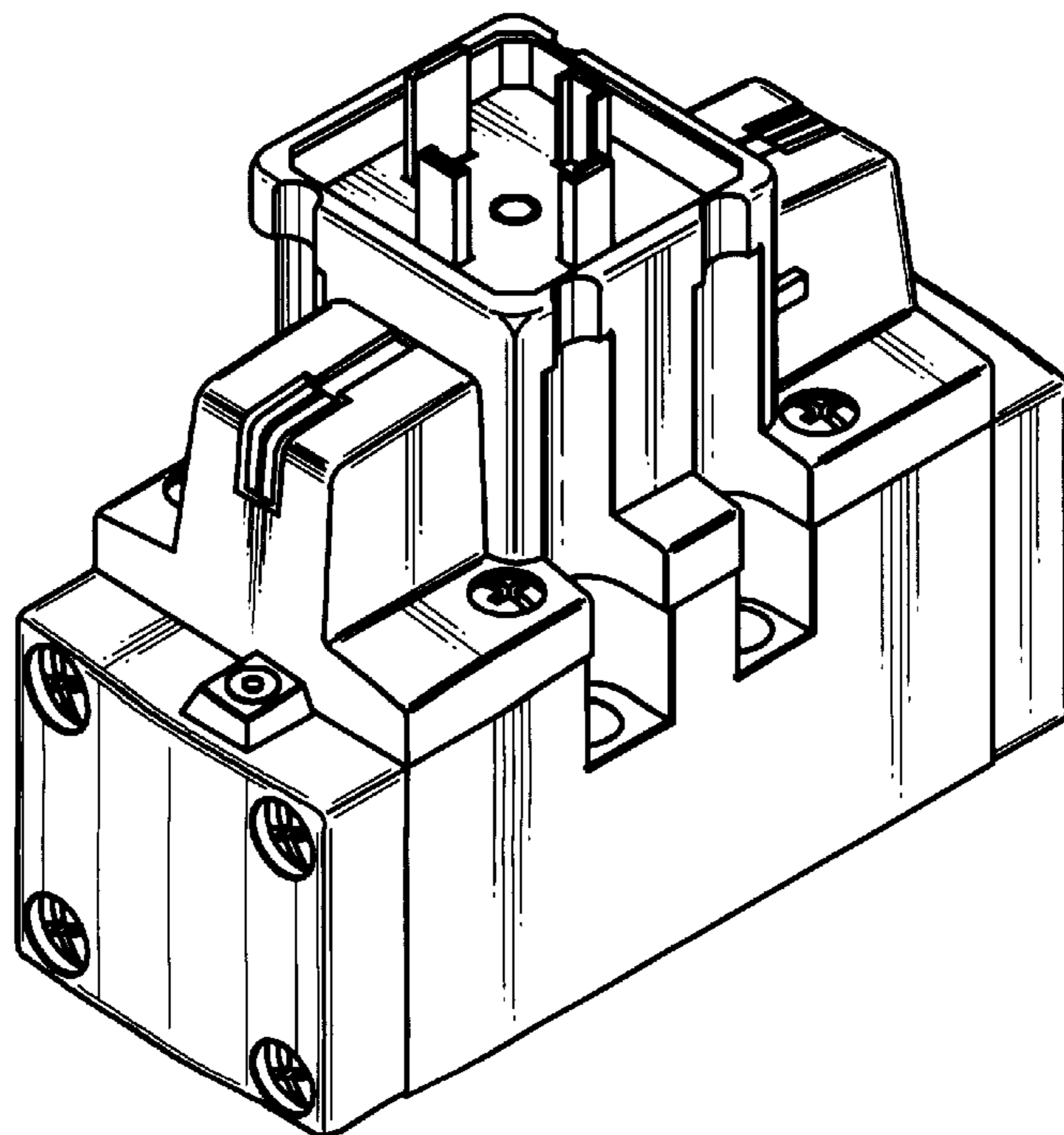


FIG. 8

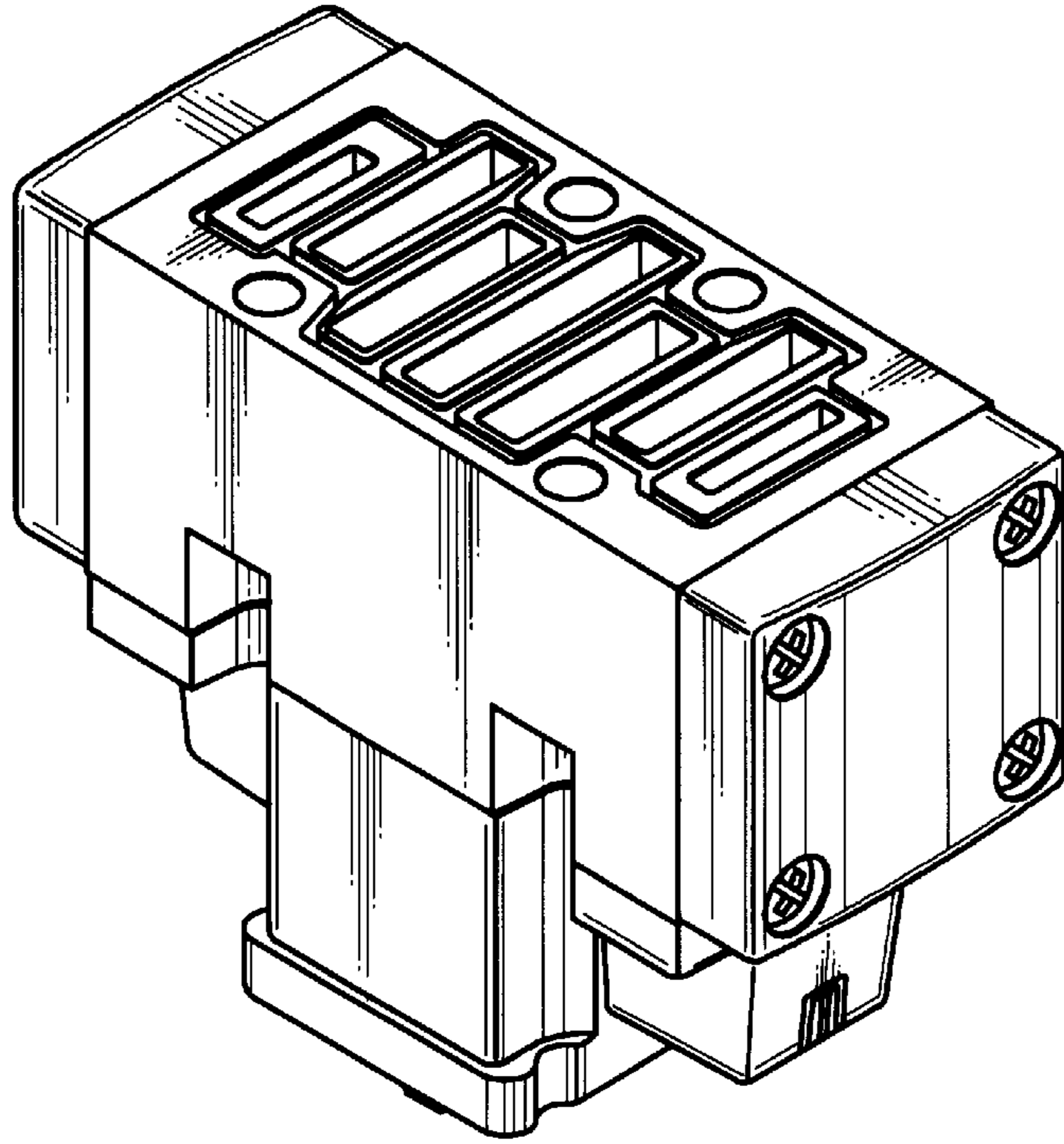


FIG. 9

