



US00D524909S

(12) **United States Design Patent**  
**Bakke et al.**

(10) **Patent No.:** **US D524,909 S**

(45) **Date of Patent:** **\*\* Jul. 11, 2006**

(54) **MAGNETIC SPRINKLER VALVE ACTUATOR**

D458,133 S \* 6/2002 Berish et al. .... D9/443  
D479,800 S \* 9/2003 McRae ..... D9/443

(76) Inventors: **John Samuel Bakke**, P.O. Box 145,  
Campbell, CA (US) 95009-0145; **David**  
**Clarence Bakke**, P.O. Box 145,  
Campbell, CA (US) 95009-0145

\* cited by examiner

(\*\*) Term: **14 Years**

*Primary Examiner*—Ian Simmons  
*Assistant Examiner*—Maurice Stevens  
(74) *Attorney, Agent, or Firm*—Howard C. Miskin, Esq.;  
Gloria Tsui-Yip, Esq.

(21) Appl. No.: **29/226,096**

(57) **CLAIM**

(22) Filed: **Mar. 24, 2005**

The ornamental design for a magnetic sprinkler valve actuator, as shown and described.

(51) **LOC (8) Cl.** ..... **23-01**

(52) **U.S. Cl.** ..... **D23/233**

(58) **Field of Classification Search** ..... D23/233–237,  
D23/244–249; D7/672, 677; D9/434–435,  
D9/443

**DESCRIPTION**

See application file for complete search history.

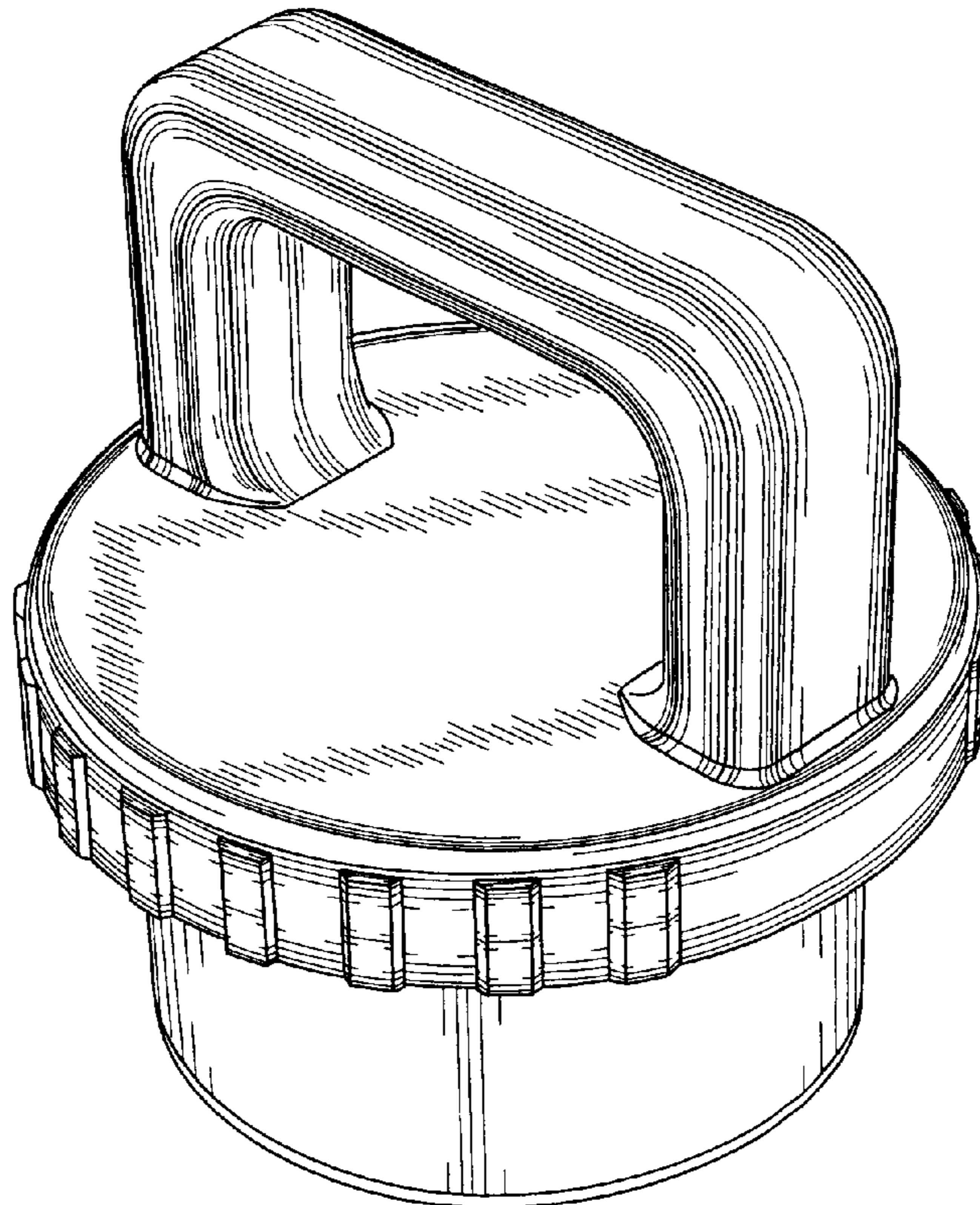
FIG. 1 is a perspective view of our new design;  
FIG. 2 is a front elevational view, the rear elevational view  
being a mirror image;  
FIG. 3 is a left side view, the right side view being a mirror  
image;  
FIG. 4 is a top plan view; and,  
FIG. 5 is a bottom plan view.

(56) **References Cited**

**U.S. PATENT DOCUMENTS**

D235,303 S \* 6/1975 Boucher ..... D7/672  
D350,882 S \* 9/1994 Charland ..... D7/672

**1 Claim, 5 Drawing Sheets**



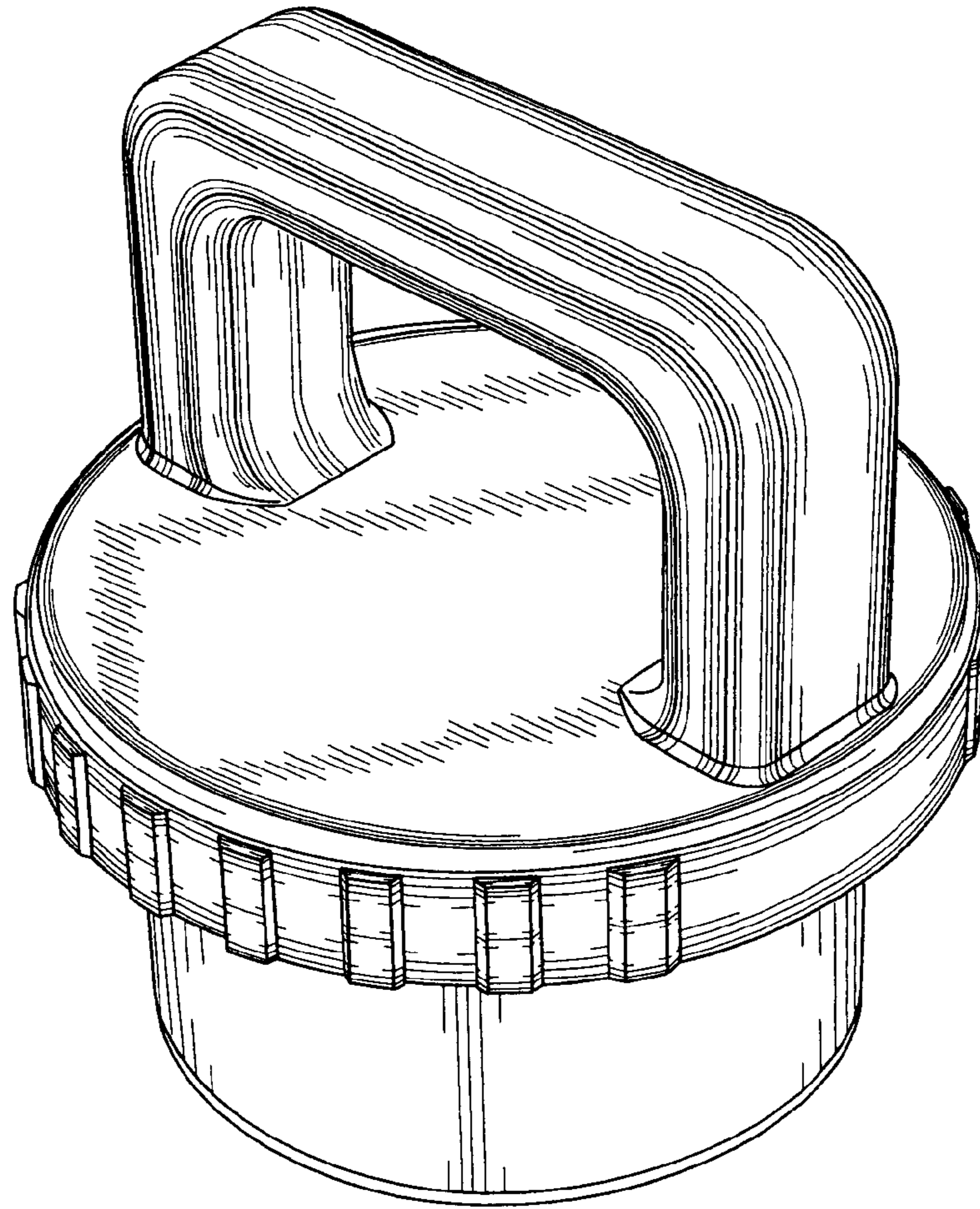


FIG. 1

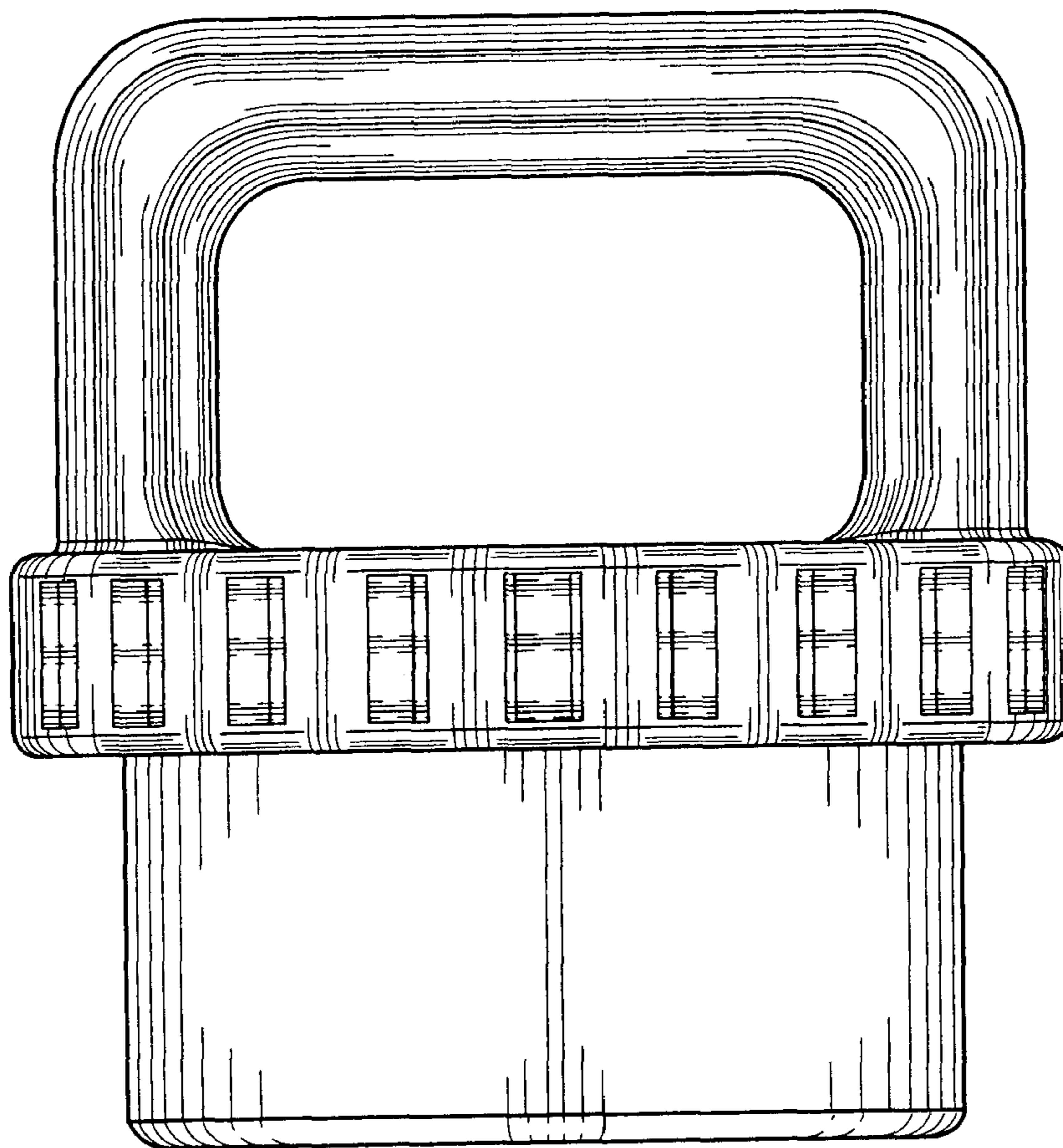


FIG. 2

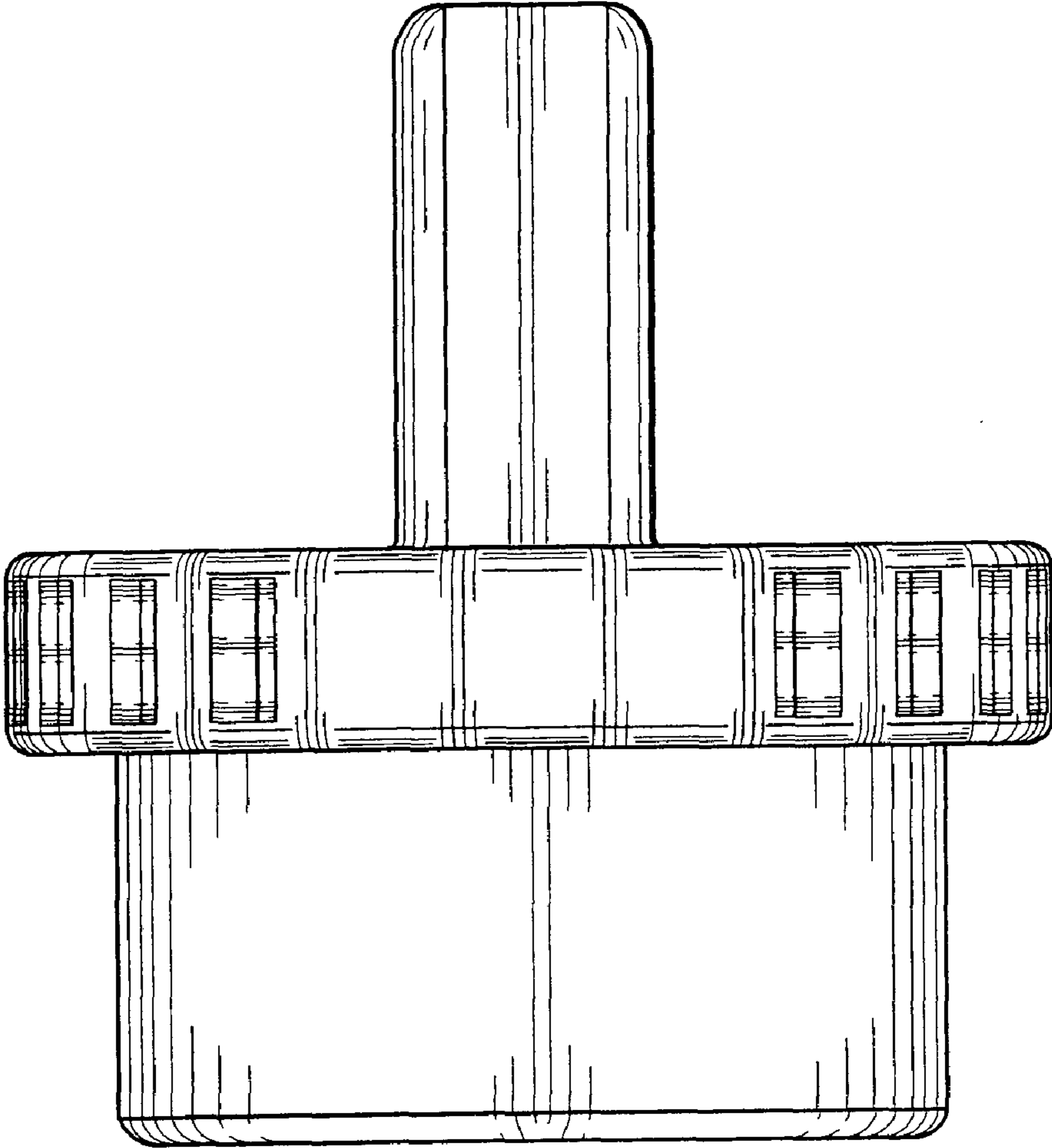


FIG. 3

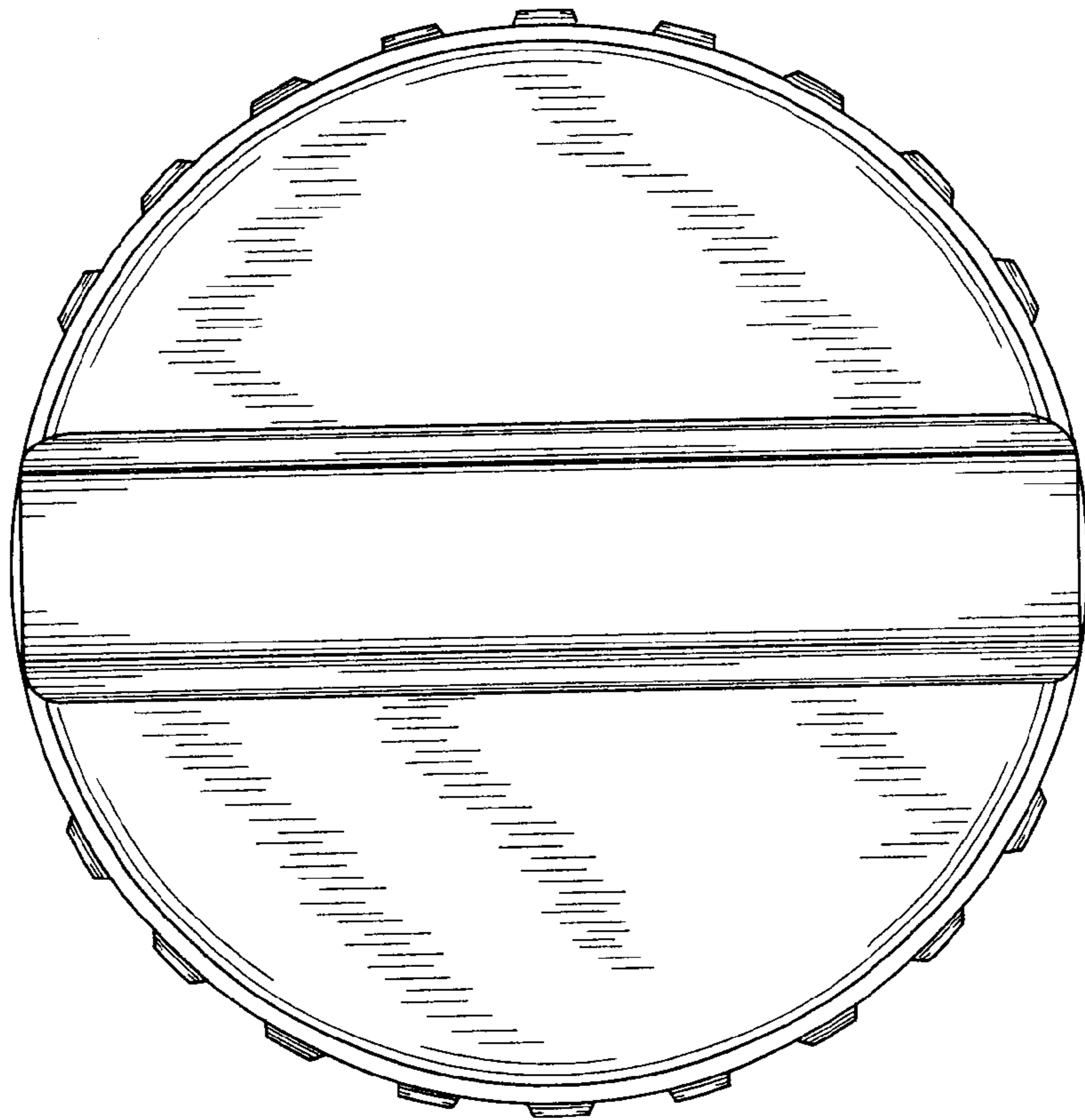


FIG. 4

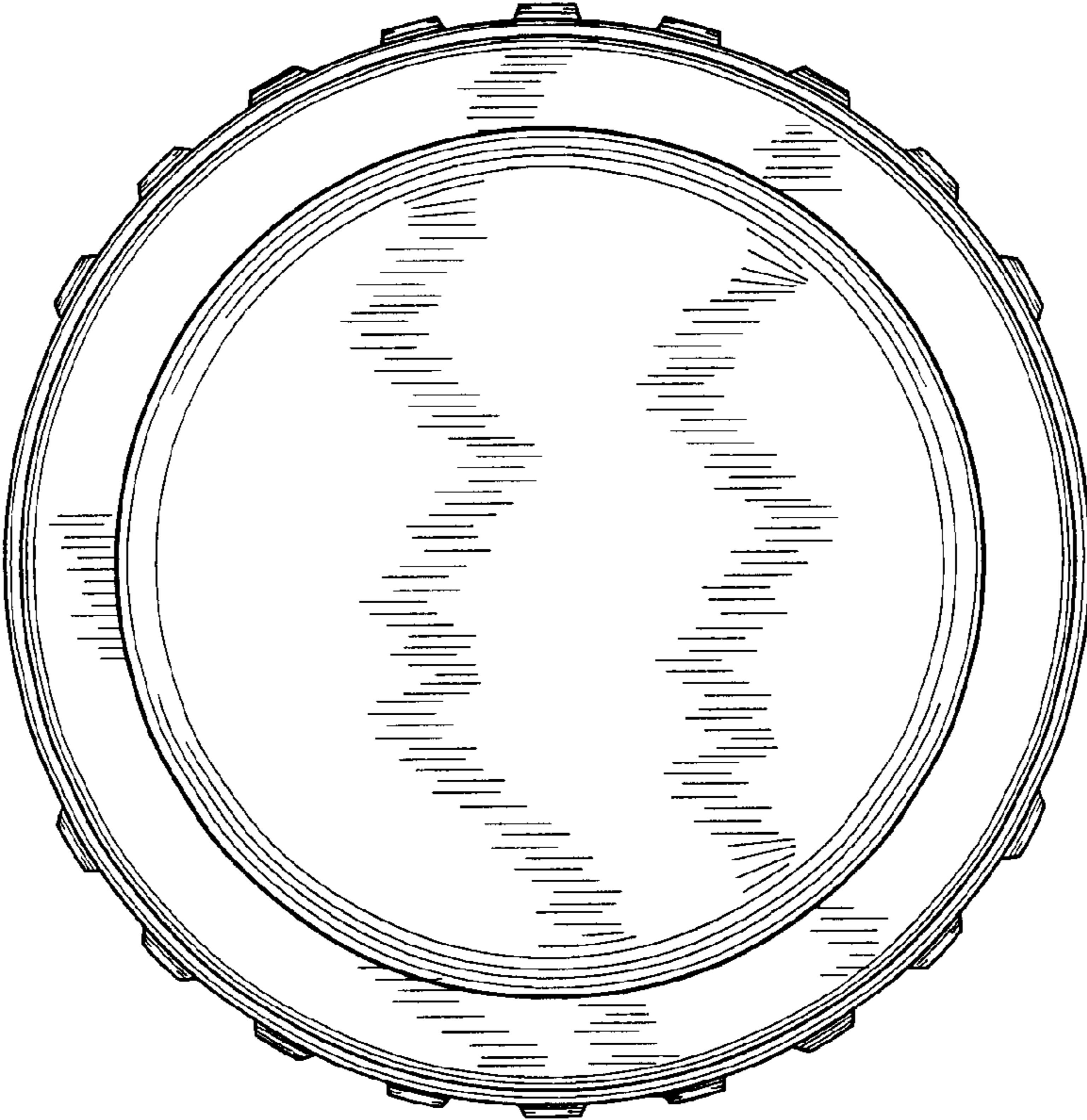


FIG. 5